



**Original Instruction Manual**  
**Оригинальні інструкції з експлуатації**  
**Oryginalna instrukcja obsługi**  
**Manual de instrucțiuni original**  
**Originalbetriebsanleitung**  
**Eredeti használati útmutató**  
**Pôvodný návod na obsluhu**  
**Originální návod k obsluze**

**Important:**

Read this instruction manual carefully before putting the Petrol Brushcutter into operation and strictly observe the safety regulations!  
Preserve instruction manual carefully!

**Важливо:**

Уважно прочитайте цю інструкцію з експлуатації, перед тим як використовувати бензиновий кущоріз, та суворо дотримуйтеся правил безпеки!  
Зберігайте цю інструкцію з експлуатації!

**Ważne:**

Przeczytać uważnie niniejszą instrukcję obsługi przed uruchomieniem kosy spalinowej i ściśle przestrzegać przepisów dotyczących bezpieczeństwa!  
Przechowywać niniejszy podręcznik z należytą starannością!

**Important:**

Citiți cu atenție acest manual de instrucțiuni înainte de a pune în funcțiune motocositoarea pe benzină și respectați cu strictețe reglementările privind siguranța!  
Păstrați cu atenție manualul de instrucțiuni!

**Wichtig:**

Lesen Sie vor Verwendung der Motorsense diese Betriebsanleitung aufmerksam durch und halten Sie die Sicherheitsbestimmungen strikt ein!  
Bewahren Sie diese Betriebsanleitung sorgfältig auf!

**Fontos:**

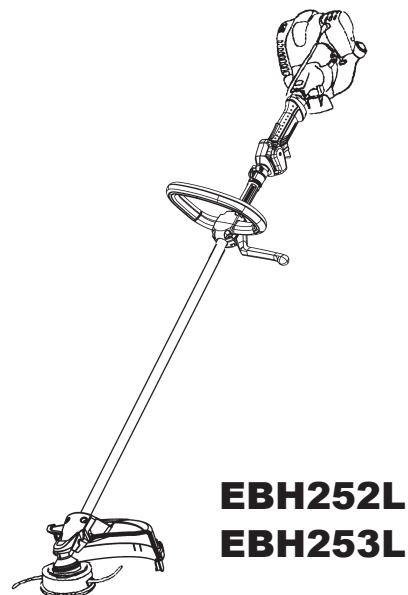
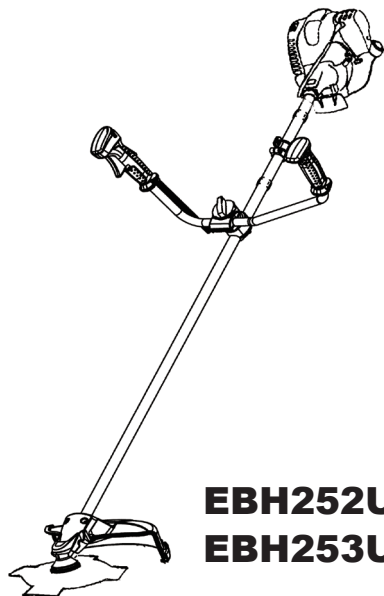
A benzinmotoros bozótívágó első üzembe helyezése előtt figyelmesen olvassa át ezt a használati utasítást, és feltétlenül tartsa be a biztonsági előírásokat!  
Gondosan őrizze meg a használati utasítást!

**Dôležité:**

Pred použitím benzínového krovinořezu si pozorne prečítajte tento návod na obsluhu a striktné dodržiavajte bezpečnostné nariadenia!  
Tento návod na obsluhu starostlivo uschovajte!

**Důležité:**

Před uvedením motorového křovinořezu do provozu si důkladně prostudujte tento návod k obsluze a pečlivě dodržujte bezpečnostní směrnice!  
Návod k obsluze pečlivě uschovejte!



Thank you very much for purchasing the MAKITA Petrol Brushcutter. We are pleased to recommend to you the MAKITA Petrol Brushcutter which is the result of a long development programme and many years of knowledge and experience.

Please read this booklet which refers in detail to the various points that will demonstrate its outstanding performance. This will assist you to obtain the best possible result from your MAKITA Petrol Brushcutter.



Table of Contents	Page
Symbols.....	2
Safety instructions .....	3
Technical data.....	7
Designation of parts.....	9
Mounting of handle.....	10
Mounting of protector.....	11
Mounting of cutter blade or nylon cutting head.....	12
Before start of operation .....	13
Correct handling of machine.....	15
Points in operation and how to stop .....	15
Resharpener the cutting tool.....	17
Servicing instructions.....	19
Storage .....	22

## SYMBOLS

You will note the following symbols when reading the instructions manual.

	Read instruction manual and follow the warnings and safety precautions!		Keep the area of operation clear of all persons and pets!
	Take Particular care and attention!		Wear protective helmet, eye and ear protection!
	Forbidden!		Top permissible tool speed
	Keep distance!		Fuel (Gasoline)
	Flying object hazard!		Engine-manual start
	No smoking!		Emergency stop
	No open flame!		First Aid
	Protective gloves must be worn!		ON/START
	Wear sturdy boots with nonslip soles. Steeltoed safety boots are recommended!		OFF/STOP
	Kickback!		

# SAFETY INSTRUCTIONS

## General Instructions

- Read this instruction manual to become familiar with handling of the equipment. Users insufficiently informed will risk danger to themselves as well as others due to improper handling.
- It is recommended only to lend the equipment to people who have proven to be experienced. Always hand over the instruction manual.
- First users should ask the dealer for basic instructions to familiarize oneself with the handling of brushcutters.
- Children and young persons aged under 18 years must not be allowed to operate this equipment. Persons over the age of 16 years may however use the device for the purpose of being trained while under supervision of a qualified trainer.
- Use with the utmost care and attention.
- Operate only if you are in good physical condition. Perform all work calmly and carefully. The user has to accept liability for others.
- Never use this equipment after consumption of alcohol or drugs, or if feeling tired or ill.
- National regulation can restrict the use of the machine.

## Intended use of the machine

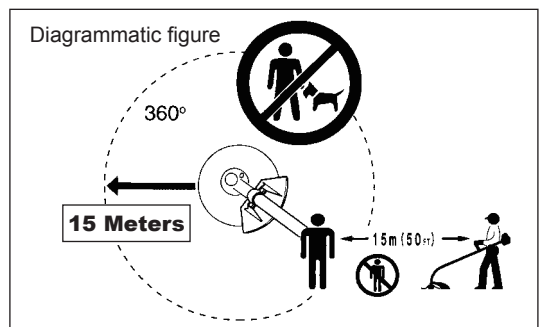
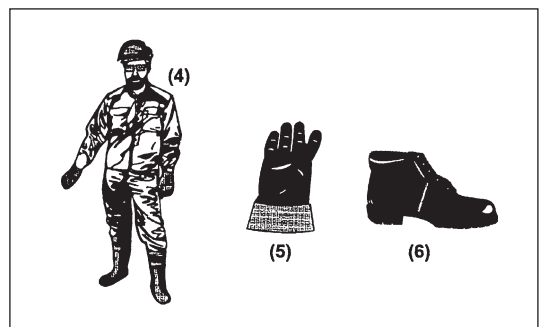
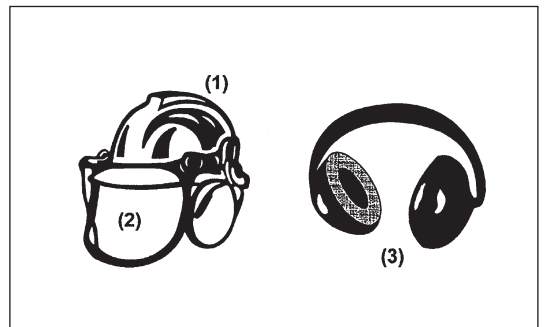
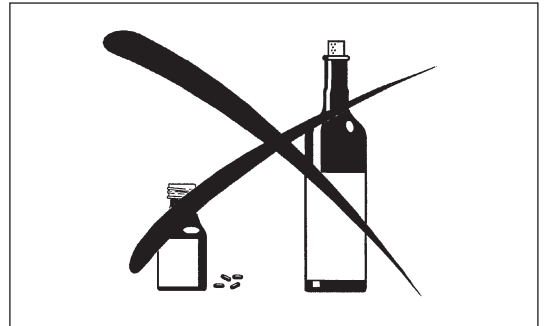
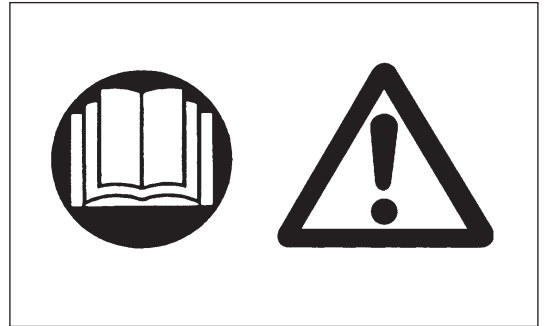
- This equipment is only intended for cutting grass, weeds, bushes, undergrowth. It should not be used for any other purpose such as edging or hedge cutting as this may cause injury.

## Personal protective equipment

- The clothing worn should be functional and appropriate, i.e. it should be tight-fitting but not cause hindrance. Do not wear either jewelry or clothing which could become entangled with bushes or shrubs.
- In order to avoid either head-, eye-, hand- or foot injuries as well as to protect your hearing the following protective equipment and protective clothing must be used during operation.
- Always wear a helmet where there is a risk of falling objects. The protective helmet (1) is to be checked at regular intervals for damage and is to be replaced at the latest after 5 years. Use only approved protective helmets.
- The visor (2) of the helmet (or alternatively goggles) protects the face from flying debris and stones. During operation always wear goggles, or a visor to prevent eye injuries.
- Wear adequate noise protection equipment to avoid hearing impairment (ear muffs (3), ear plugs etc.).
- The work overalls (4) protect against flying stones and debris. We strongly recommend that the user wears work overalls.
- Gloves (5) are part of the prescribed equipment and must always be worn during operation.
- When using the equipment, always wear sturdy shoes (6) with a non-slip sole. This protects against injuries and ensures a good footing.

## Starting up the brushcutter

- Please make sure that there are no children or other people within a working range of 15 meters (50 ft), also pay attention to any animals in the working vicinity.
- Before use always check the equipment is safe for operation: Check the security of the cutting tool, the throttle lever for easy action and check for proper functioning of the throttle lever lock.
- Rotation of the cutting tool during idling speed is not allowed. Check with your dealer for adjustment if in doubt. Check for clean and dry handles and test the function of the start/stop switch.

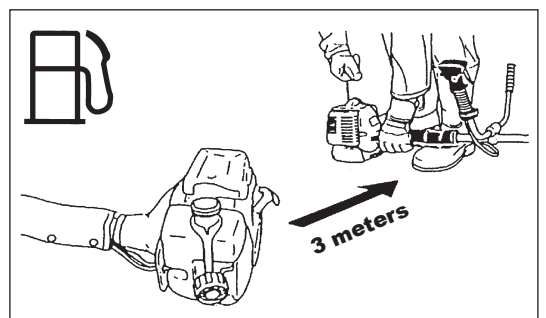
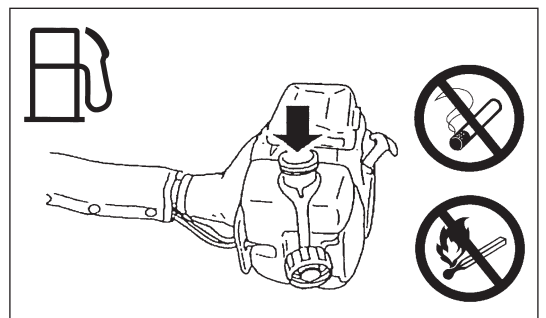
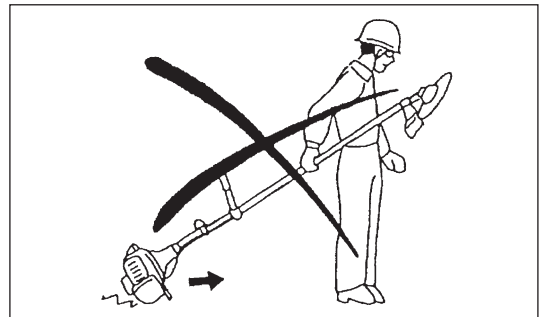
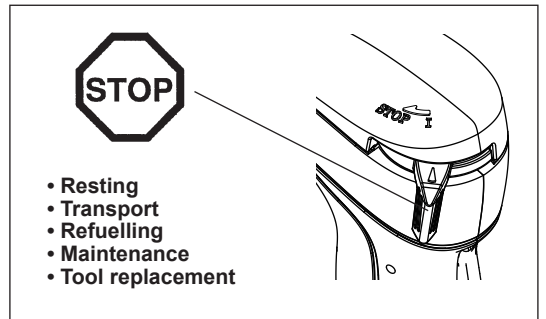
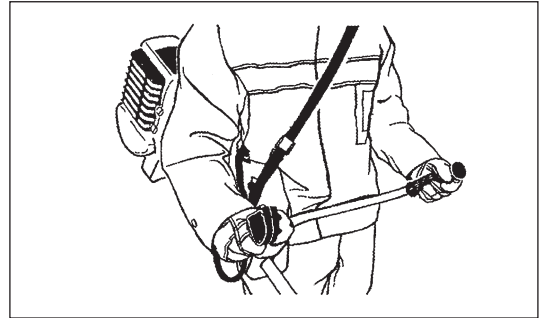
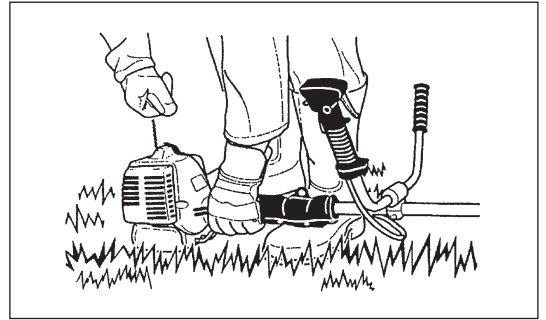


Start the brushcutter only in accordance with the instructions.

- Do not use any other methods for starting the engine!
- Use the brushcutter and the tools only for such applications as specified.
- Only start the engine, after the entire assembly is done. Operation of the device is only permitted after all the appropriate accessories are attached!
- Before starting make sure that the cutting tool has no contact with hard objects such as branches, stones etc. as the cutting tool will revolve when starting.
- The engine is to be switched off immediately in case of any engine problems.
- Should the cutting tool hit stones or other hard objects, immediately switch off the engine and inspect the cutting tool.
- Inspect the cutting tool at short regular intervals for damage (detection of hairline cracks by means of tapping-noise test).
- If the equipment gets heavy impact or fall, check the condition before continuing work. Check the fuel system for fuel leakage and the controls and safety devices for malfunction. If there is any damage or doubt, ask our authorized service center for the inspection and repair.
- Operate the equipment only with the shoulder harness attached which is to be suitably adjusted before putting the brushcutter into operation. It is essential to adjust the shoulder harness according to the user size to prevent fatigue occurring during use. Never hold the cutter with one hand during use.
- During operation always hold the brushcutter with both hands. Always ensure a safe footing.
- Operate the equipment in such a manner as to avoid inhalation of the exhaust gases. Never run the engine in enclosed rooms (risk of gas poisoning). Carbon monoxide is an odorless gas.
- Switch off the engine when resting and when leaving the equipment unattended, and place it in a safe location to prevent danger to others or damage to the machine.
- Never put the hot brushcutter onto dry grass or onto any combustible materials.
- Always install the approved cutting tool guard onto the equipment before starting the engine. Otherwise contact with the cutting tool may cause serious injury.
- All protective installations and guards supplied with the machine must be used during operation.
- Never operate the engine with faulty exhaust muffler.
- Shut off the engine during transport.
- When transporting the equipment, always attach the cover to the cutting blade.
- Ensure safe position of the equipment during car transportation to avoid fuel leakage.
- When transporting, ensure that the fuel tank is completely empty.
- When unloading the equipment from the truck, never drop the Engine to the ground or this may severely damage the fuel tank.
- Except in case of emergency, never drop or cast the equipment to the ground or this may severely damage the equipment.
- Remember to lift the entire equipment from the ground when moving the equipment. Dragging the fuel tank is highly dangerous and will cause damage and leakage of fuel, possibly causing fire.

### Refueling

- Shut off the engine during refueling, keep away from open flames and do not smoke.
- Avoid skin contact with mineral oil products. Do not inhale fuel vapor. Always wear protective gloves during refueling. Change and clean protective clothing at regular intervals.
- Take care not to spill either fuel or oil in order to prevent soil contamination (environmental protection). Clean the brushcutter immediately after fuel has been spilt.
- Avoid any fuel contact with your clothing. Change your clothing instantly if fuel has been spilt on it (to prevent clothing catching fire).
- Inspect the fuel cap at regular intervals making sure that it can be securely fastened and does not leak.
- Carefully tighten the fuel tank cap. Change location to start the engine (at least 3 meters away from the place of refueling).
- Never refuel in closed rooms. Fuel vapors accumulate at ground level (risk of explosions).
- Only transport and store fuel in approved containers. Make sure the fuel stored is not accessible to children.



## Method of operation

- Only use in good light and visibility. During the winter season beware of slippery or wet areas, ice and snow (risk of slipping). Always ensure a safe footing.
- Never cut above waist height.
- Never stand on a ladder.
- Never climb up into trees to perform cutting operation.
- Never work on unstable surfaces.
- Remove sand, stones, nails etc. found within the working range. Foreign particles may damage the cutting tool and can cause dangerous kick-backs.
- Before commencing cutting, the cutting tool must have reached full working speed.
- When using metal blades, swing the tool evenly in half-circle from right to left, like using a scythe.  
If grass or branches get caught between the cutting tool and guard, always stop the engine before cleaning. Otherwise unintentional blade rotation may cause serious injury.
- Take a rest to prevent loss of control caused by fatigue. We recommend to take a 10 to 20-minute rest every hour.

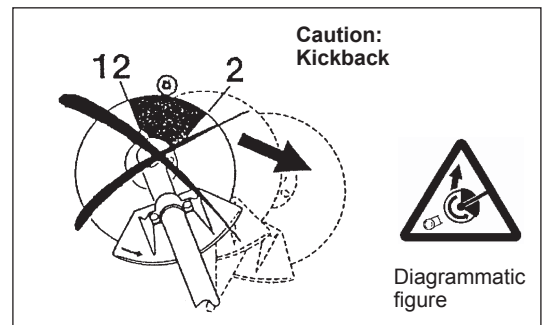


## Cutting Tools

- Use an applicable cutting tool for the job in hand.  
Nylon cutting heads (string trimmer heads) are suitable for trimming lawn grass.  
Metal blades are suitable for cutting weeds, high grasses, bushes, shrubs, underwood, thicket, and the like.  
Never use other blades including metal multi-piece pivoting chains and flail blades. Otherwise serious injury may result.
- When using metal blades, avoid “kickback” and always prepare for an accidental kickback. See the section “Kickback” and “Kickback prevention.”

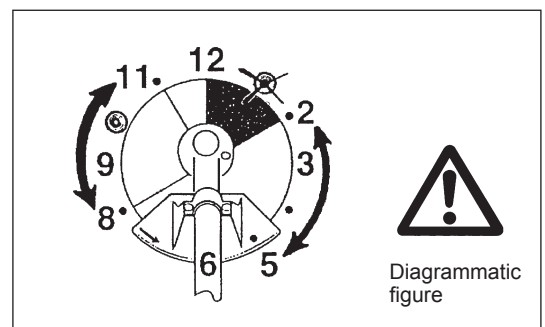
## Kickback (blade thrust)

- Kickback (blade thrust) is a sudden reaction to a caught or bound cutting blade. Once it occurs, the equipment is thrown sideways or toward the operator at great force and it may cause serious injury.
- Kickback occurs particularly when applying the blade segment between 12 and 2 o'clock to solids, bushes and trees with 3 cm or larger diameter.
- To avoid kickback:
  - Apply the segment between 8 and 11 o'clock;
  - Never apply the segment between 12 and 2 o'clock;
  - Never apply the segment between 11 and 12 o'clock and between 2 and 5 o'clock, unless the operator is well trained and experienced and does it at his/her own risk;
  - Never use cutting blades close to solids, such as fences, walls, tree trunks and stones;
  - Never use cutting blades vertically, for such operations as edging and trimming hedges.



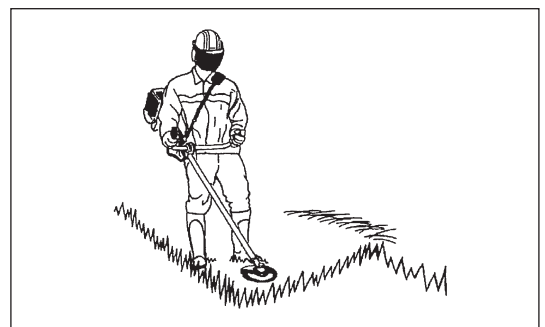
## Vibration

- People with poor circulation who are exposed to excessive vibration may experience injury to blood vessels or the nervous system. Vibration may cause the following symptoms to occur in the fingers, hands or wrists: “Falling asleep” (numbness), tingling, pain, stabbing sensation, alteration of skin color or of the skin. If any of these symptoms occur, see a physician!
- To reduce the risk of “white finger disease”, keep your hands warm during operation and well maintain the equipment and accessories.



## Maintenance instructions

- Have your equipment serviced by our authorized service center, always using only genuine replacement parts. Incorrect repair and poor maintenance can shorten the life of the equipment and increase the risk of accidents.
- The condition of the cutter, in particular of the cutting tool of the protective devices and also of the shoulder harness must be checked before commencing work. Particular attention is to be paid to the cutting blades which must be correctly sharpened.
- Turn off the engine and remove spark plug connector when replacing or sharpening cutting tools, and also when cleaning the cutter or cutting tool.



### Never straighten or weld damaged cutting tools.

- Pay attention to the environment. Avoid unnecessary throttle operation for less pollution and noise emissions. Adjust the carburetor correctly.
- Clean the equipment at regular intervals and check that all screws and nuts are well tightened.
- Never service or store the equipment in the vicinity of naked flames.
- Always store the equipment in locked rooms and with an emptied fuel tank.
- When cleaning, servicing and storing the equipment, always attach the cover to the cutting blade.



Observe the relevant accident prevention instructions issued by the relevant trade associations and by the insurance companies.  
Do not perform any modifications to the equipment as this will endanger your safety.

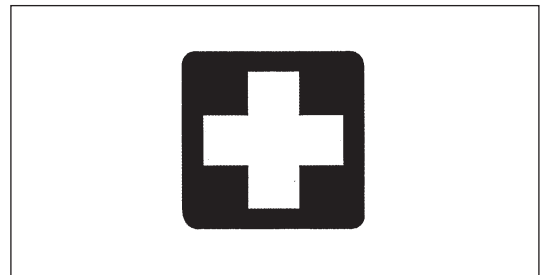
The performance of maintenance or repair work by the user is limited to those activities as described in the instruction manual. All other work is to be done by an Authorized Service Agent. Use only genuine spare parts and accessories released and supplied by MAKITA.  
Use of non-approved accessories and tools means increased risk of accidents.  
MAKITA will not accept any liability for accidents or damage caused by the use of non-approved cutting tools and fixing devices of cutting tools, or accessories.

### First Aid

In case of accident make sure that a first-aid box is available in the vicinity of the cutting operations. Immediately replace any item taken from the first aid box.

### When asking for help, please give the following information:

- Place of accident
- What happened
- Number of injured persons
- Kind of injuries
- Your name



---

For European countries only

### EC Declaration of Conformity

**We Makita Corporation as the responsible manufacturer declare that the following Makita machine(s):**

Designation of Machine: Petrol Brushcutter  
Model No./ Type: EBH252U, EBH253U, EBH252L, EBH253L  
Specifications: see "TECHNICAL DATA" table

are of series production and

**Conforms to the following European Directives:**

2000/14/EC, 2006/42/EC

And are manufactured in accordance with the following standards or standardized documents:

EN ISO 11806-1

The technical documentation is kept by:

Makita International Europe Ltd., Technical Department,  
Michigan Drive, Tongwell, Milton Keynes, Bucks MK15 8JD, England

The conformity assessment procedure required by Directive 2000/14/EC was in Accordance with annex V.

Measured Sound Power Level: 109.3 dB

Guaranteed Sound Power Level: 111 dB

19. 12. 2008

A handwritten signature in black ink, appearing to read 'Tomoyasu Kato'.

Tomoyasu Kato  
Director  
Makita Corporation  
3-11-8, Sumiyoshi-cho,  
Anjo, Aichi, JAPAN

## TECHNICAL DATA EBH252U, EBH252L

Model		EBH252U		EBH252L	
		Bike handle		Loop handle	
Dimensions: length x width x height (without cutting blade)	mm	1,770 x 620 x 490		1,770 x 330 x 275	
Mass (without plastic guard and cutting blade)	kg	5.7		5.3	
Volume (fuel tank)	L	0.5			
Volume (oil tank)	L	0.08			
Engine displacement	cm <sup>3</sup>	24.5			
Maximum engine performance	kw	0.71 at 7,000 min <sup>-1</sup>			
Engine speed at recommended max. spindle speed	min <sup>-1</sup>	8,500			
Maximum spindle speed (corresponding)	min <sup>-1</sup>	6,500			
Maximum fuel consumption	kg/h	0.33			
Maximum specific fuel consumption	g/kwh	408			
Idling speed	min <sup>-1</sup>	3,000			
Carburetor	type	WALBRO WYL			
Ignition system	type	Solid state ignition			
Spark plug	type	NGK CMR4A			
Electrode gap	mm	0.7 - 0.8			
Vibration per ISO 22867	Right handle (Rear grip)	$a_{hv\ eq}$	m/s <sup>2</sup>	2.5	5.0
		Uncertainty K	m/s <sup>2</sup>	0.58	1.23
	Left handle (Front grip)	$a_{hv\ eq}$	m/s <sup>2</sup>	2.9	4.3
		Uncertainty K	m/s <sup>2</sup>	0.37	0.36
Sound pressure level average to ISO 22868	$L_{PA\ eq}$	dBA	97.1		
	Uncertainty K	dBA	2.4		
Sound power level average to ISO 22868	$L_{WA\ eq}$	dBA	106.3		
	Uncertainty K	dBA	1.2		
Fuel		Automobile gasoline			
Engine Oil		SAE 10W-30 oil of API Classification, Class SF or higher (4-stroke engine for automobile)			
Cutting tools (cutter blade dia.)	mm	230			
Gear ratio		14/19			

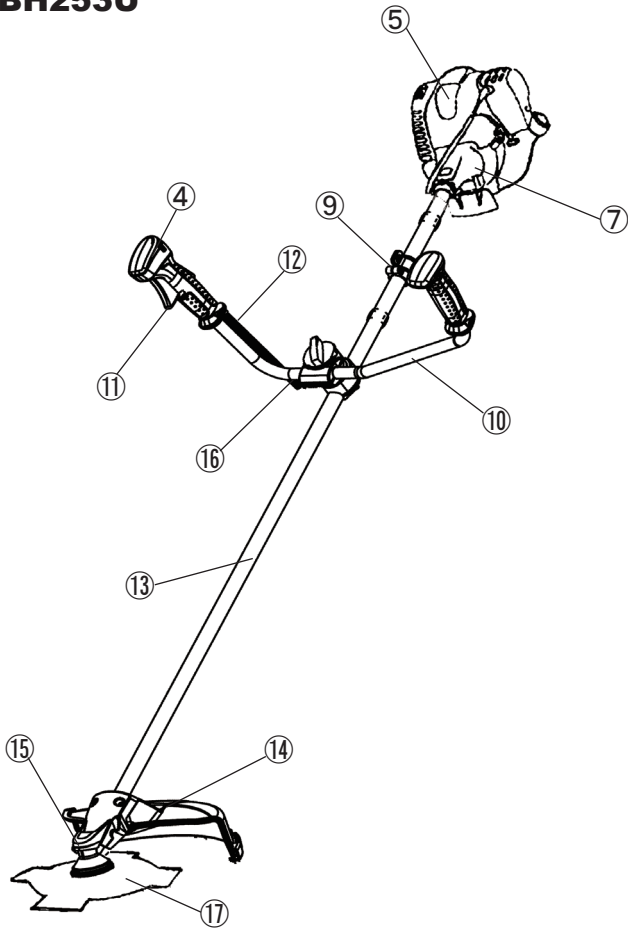
## TECHNICAL DATA EBH253U, EBH253L

Model		EBH253U		EBH253L	
		Bike handle		Loop handle	
Dimensions: length x width x height (without cutting blade)		mm	1,770 x 620 x 490		1,770 x 330 x 275
Mass (without plastic guard and cutting blade)		kg	5.9		5.4
Volume (fuel tank)		L	0.5		
Volume (oil tank)		L	0.08		
Engine displacement		cm <sup>3</sup>	24.5		
Maximum engine performance		kw	0.71 at 7,000 min <sup>-1</sup>		
Engine speed at recommended max. spindle speed		min <sup>-1</sup>	8,500		
Maximum spindle speed (corresponding)		min <sup>-1</sup>	6,500		
Maximum fuel consumption		kg/h	0.33		
Maximum specific fuel consumption		g/kwh	408		
Idling speed		min <sup>-1</sup>	3,000		
Carburetor		type	WALBRO WYL		
Ignition system		type	Solid state ignition		
Spark plug		type	NGK CMR4A		
Electrode gap		mm	0.7 - 0.8		
Vibration per ISO 22867	Right handle (Rear grip)	$a_{hv\ eq}$	m/s <sup>2</sup>	2.6	5.3
		Uncertainty K	m/s <sup>2</sup>	0.83	1.22
	Left handle (Front grip)	$a_{hv\ eq}$	m/s <sup>2</sup>	2.3	4.4
		Uncertainty K	m/s <sup>2</sup>	0.52	0.21
Sound pressure level average to ISO 22868		$L_{PA\ eq}$	dB(A)	97.1	
		Uncertainty K	dB(A)	2.4	
Sound power level average to ISO 22868		$L_{WA\ eq}$	dB(A)	106.3	
		Uncertainty K	dB(A)	1.2	
Fuel			Automobile gasoline		
Engine Oil			SAE 10W-30 oil of API Classification, Class SF or higher (4-stroke engine for automobile)		
Cutting tools (cutter blade dia.)		mm	230		
Gear ratio			14/19		

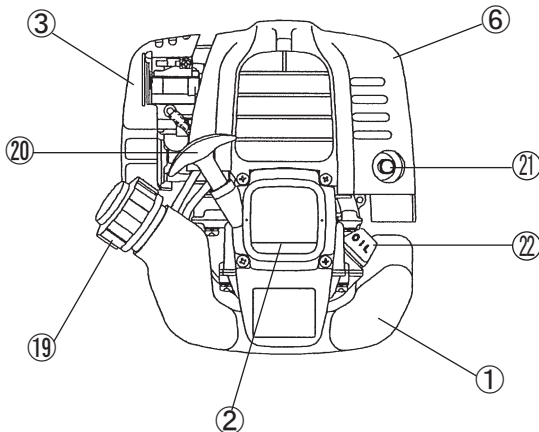
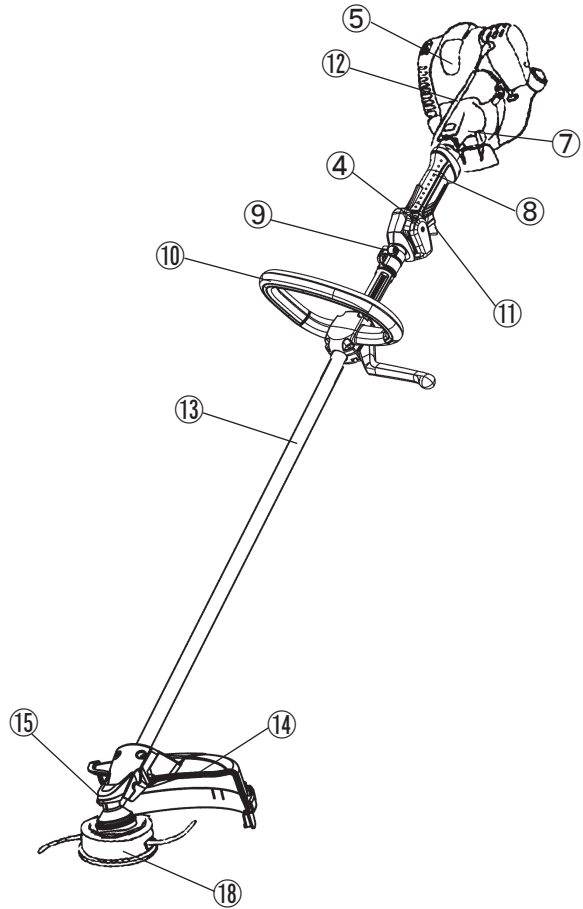


# DESIGNATION OF PARTS

**EBH252U  
EBH253U**



**EBH252L  
EBH253L**



GB	DESIGNATION OF PARTS
1	Fuel tank
2	Rewind starter
3	Air cleaner
4	I-O switch (on/off)
5	Spark plug
6	Exhaust muffer
7	Clutch case
8	Rear grip
9	Hanger
10	Handle
11	Control lever
12	Control cable
13	Shaft
14	Protector (Cutting tool guard)
15	Gear Case/Head case
16	Handle holder
17	Cutter blade
18	Nylon cutting head
19	Fuel filler cap
20	Starter knob
21	Exhaust pipe
22	Oil gauge

## MOUNTING OF HANDLE

CAUTION: Before doing any work on the Petrol Brushcutter, always stop the engine and pull the spark plug connector off the spark plug. Always wear protective gloves!

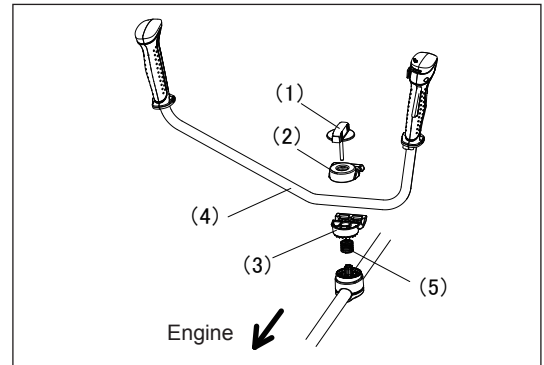
CAUTION: Start the Petrol Brushcutter only after having assembled it completely.



### For machines with bike handle models

- Loosen knob (1).
- Place handle (4) between handle clamp (2) and handle holder (3).
- Adjust handle (4) to an angle that provides a comfortable working position and then secure by firmly hand-tightening knob (1).

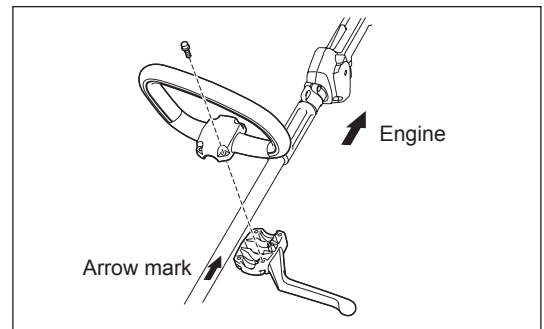
CAUTION: Do not forget to mount spring (5).



### For machines with loop handle

- Fix a barrier to the left side of the machine together with the handle for operator protection.
- Make sure that the grip/barrier assembly is fitted between the spacer and the arrow mark.

WARNING: Do not remove or shrink the spacer. The spacer keeps a certain distance between both hands. Setting the grip/barrier assembly close to the other grip beyond the length of the spacer may cause loss of control and serious personal injury.



## MOUNTING OF PROTECTOR

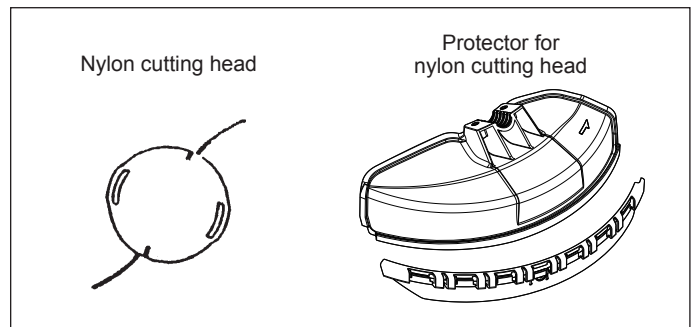
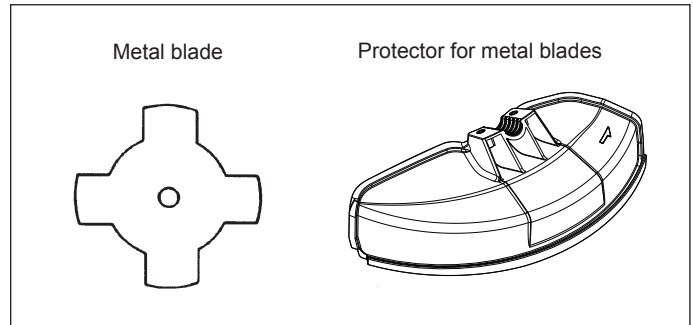
To meet the applicable safety provisions, only the tool/protector combinations as indicated in the table must be used.



### Be sure to use genuine MAKITA cutter blades or nylon cutting head.

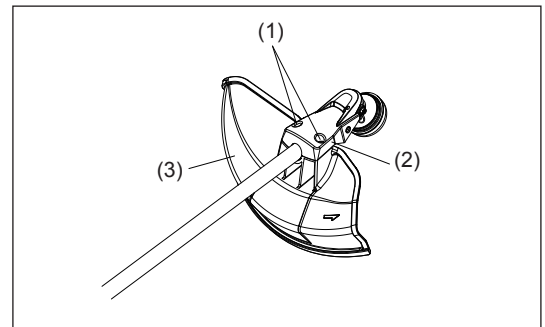
- The cutter blade must be well polished, free of cracks or breakage. If the cutter blade hits against a stone during operation, stop the engine and check the blade immediately.
- Polish or replace the cutter blade every three hours of operation.
- If the nylon cutting head hits against a stone during operation, stop the engine and check the nylon cutting head immediately.

**CAUTION:** The appropriate protector must always be installed, for your own safety and in order to comply with accident-prevention regulations. Operation of the equipment without the guard being in place is not permitted. The outside diameter of the cutter blade must be 230 mm (9-1/16"). Never use any blades surpassing 230 mm (9-1/16") in outside diameter.



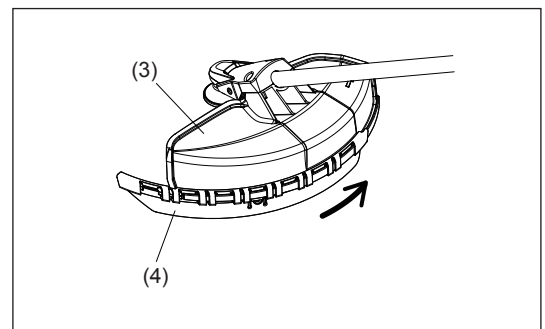
- In use of the metal blade, fix the protector (3) to the clamp (2) with two bolts M6 x 30 (1).

**NOTE:** Tighten the right and left bolts evenly so that the gap between the clamp (2) and the protector (3) will be constant. Otherwise, the protector sometimes may not function as specified.

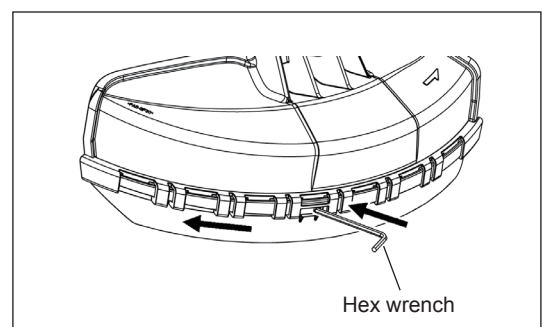


- In cases where the nylon cord cutter is to be used, be sure to mount the nylon cord cutter protector (4) onto the metal blade protector (3).
- Mount the nylon cord cutter protector (4) by sliding it into place from the flank of the metal blade protector (3) as shown.
- Remove tape adhered to cutter, which cuts nylon cord, on nylon cord cutter protector (4).

**CAUTION:** Be sure to push in nylon cord cutter protector (4) until it is fully inserted. Take care not to injure yourself on the cutter for cutting the nylon cord.



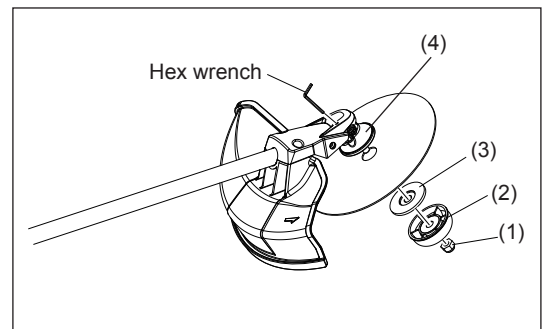
- To remove the nylon cord cutter protector (4), apply a hex wrench into the notch on the metal blade protector (3), push it in and meanwhile slide the nylon cord cutter protector (4).



## MOUNTING OF CUTTER BLADE OR NYLON CUTTING HEAD

Turn the machine upside down, and you can replace the cutter blade or nylon cutting head easily.

- Insert the hex wrench through the hole in the gear case and rotate the receiver washer (4) until it is locked with the hex wrench.
- Loosen the nut (1) (left-hand thread) with the socket wrench and remove the nut (1), cup (2), and clamp washer (3).

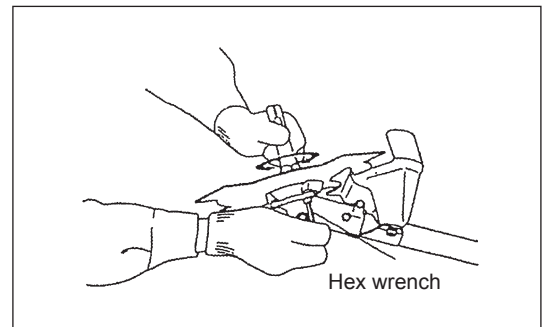


### Mounting of cutterblade with the hex wrench still in place

- Mount the cutter blade onto the shaft so that the guide of the receiver washer (4) fits in the arbor hole in the cutter blade. Install the clamp washer (3), cup (2), and secure the cutter blade with the nut (1).  
[Tightening torque: 13 - 23 N-m]

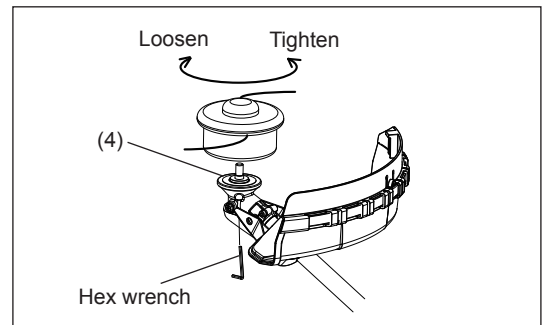
NOTE: Always wear gloves when handling the cutter blade.

NOTE: The cutter blade-fastening nut (with spring washer) is a consumable part. If there appears any wear or deformation on the spring washer, replace the nut.

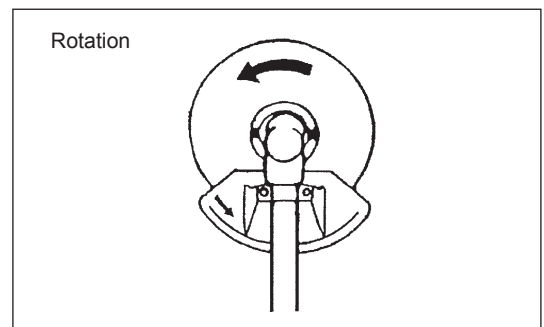


### Mounting of nylon cutting head

- The clamp washer (3), cup (2), and nut (1) are not necessary for mounting the nylon cutting head. The nylon cutting head should go on top of the receiver washer (4).
- Insert the hex wrench through the hole in the gear case and rotate the receiver washer (4) until it is locked with the hex wrench.
- Then screw the nylon cutting head onto the shaft by turning it counter-clockwise.
- Remove the hex wrench.



- Make sure that the blade is the left way up.



## BEFORE START OF OPERATION

### Inspection and refill of engine oil

- Perform the following procedure, with the engine cooled down.
- While keeping the engine level, remove the oil gauge, and confirm that the oil is filled within the upper and lower limit marks. When the oil is in short in such a way that the oil gauge touches the oil only by its tip, in particular with the oil gauge remaining inserted in the crankcase without screwing-in (Fig. 1), refill new oil near the port (Fig. 2).
- For reference, the oil refill time is about 10h (10 times or 10 tanks of oil refill).  
If the oil changes in color or mixes with dirt, replace it with new one. (For the interval and method of replacement, refer to P 19)

**Recommended oil:** SAE 10W-30 oil of API Classification, Class SF or higher (4-stroke engine for automobile)

**Oil volume:** Approx. 0.08L

Note: If the engine is not kept upright, oil may go into around the engine, and may be refilled excessively.  
If the oil is filled above the limit, the oil may be contaminated or may catch fire with white smoke.

#### Point 1 in Replacement of oil: "Oil gauge"

- Remove dust or dirt near the oil refill port, and detach the oil gauge.
- Keep the detached oil gauge free of sand or dust. Otherwise, any sand or dust adhering to the oil gauge may cause irregular oil circulation or wear on the engine parts, which will result in troubles.
- As an example to keep the oil gauge clean, it is recommended to insert the oil gauge on its knob side into the engine cover, as shown in Fig. 3.

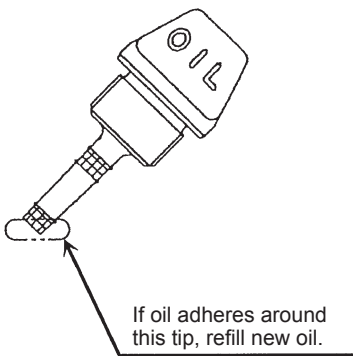


Fig. 1

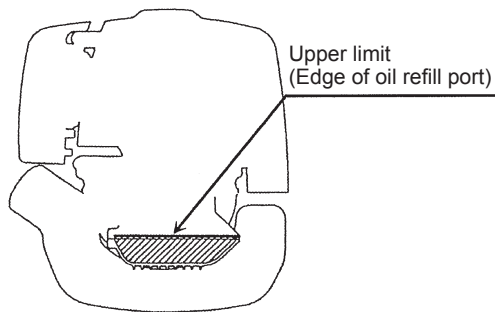


Fig. 2

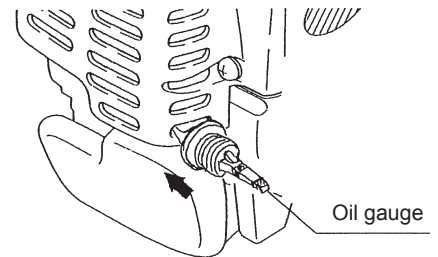
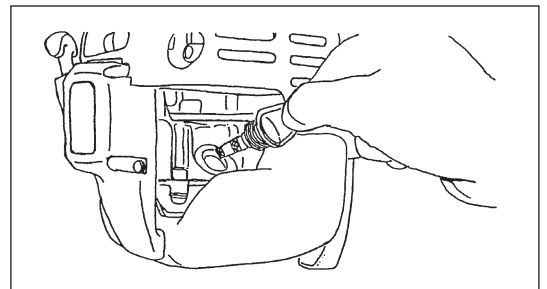
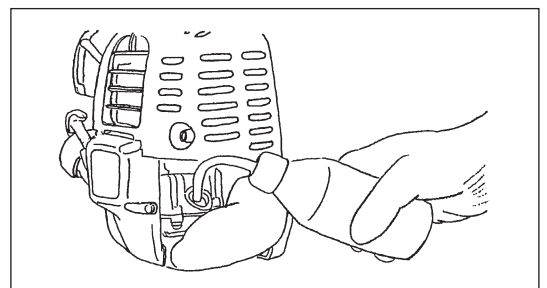


Fig. 3

- (1) Keep the engine level, and detach the oil gauge.



- (2) Fill oil up to the edge of the oil refill port. (Refer to Fig. 2 of the preceding page).  
Feed oil with the lubricant refill container.



- (3) Securely tighten the oil gauge. Insufficient tightening may cause oil leakage.

### Point 2 in Replacement of oil: "If oil spills out"

- If oil spills out between the fuel tank and engine main unit, the oil is sucked into through the cooling air intake port, which will contaminate the engine. Be sure to wipe out spilled oil before start of operation.

## REFUELING

### Handling of fuel

It is necessary to handle fuel with utmost care. Fuel may contain substances similar to solvents. Refueling must be performed in a sufficiently ventilated room or in the open air. Never inhale fuel vapor, and keep fuel away from you. If you touch fuel repeatedly or for a long time, the skin becomes dry, which may cause skin disease or allergy. If fuel enters into the eye, clean the eye with fresh water. If your eye remains still irritated, consult your doctor.

### Storage period of fuel

Fuel should be used up within a period of 4 weeks, even if it is kept in a special container in a well-ventilated shade. If a special container is not used or if the container is not covered, fuel may deteriorate in one day.

### STORAGE OF MACHINE AND REFILL TANK

- Keep the machine and tank at a cool place free from direct sunshine.
- Never keep the fuel in the cabin or trunk.

## Fuel

The engine is a four-stroke engine. Be sure to use an automobile gasoline (regular gasoline or premium gasoline).

### Points for fuel

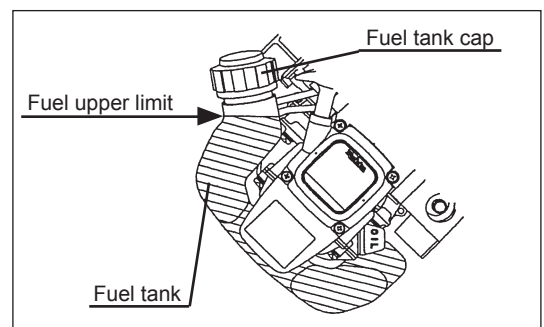
- Never use a gasoline mixture which contains engine oil. Otherwise, it will cause excessive carbon accumulation or mechanical troubles.
- Use of deteriorated oil will cause irregular startup.

## Refueling

### WARNING: INFLAMMABLES STRICTLY PROHIBITED

**Gasoline used:** Automobile gasoline (unleaded gasoline)

- Loosen the tank cap a little so that there will be no difference in atmospheric pressure.
  - Detach the tank cap, and refuel, discharging air by tilting the fuel tank so that the refuel port will be oriented upward. (Never refill fuel full to the oil refill port.)
  - Wipe well the periphery of the tank cap to prevent foreign matter from entering into the fuel tank.
  - After refueling, securely tighten the tank cap.
- 
- If there is any flaw or damage on the tank cap, replace it.
  - The tank cap is consumable, and therefore should be renewed every two to three years.



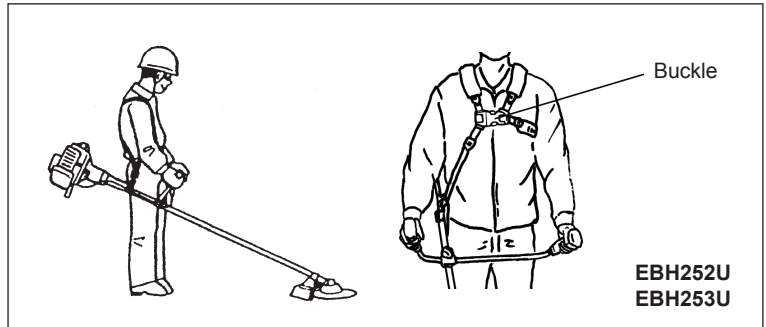
## CORRECT HANDLING OF MACHINE

### Attachment of shoulder strap

- Adjust the strap length so that the cutter blade will be kept parallel with the ground.

#### For EBH252U, EBH253U

NOTE: Be careful not to trap clothing, etc., in the buckle.



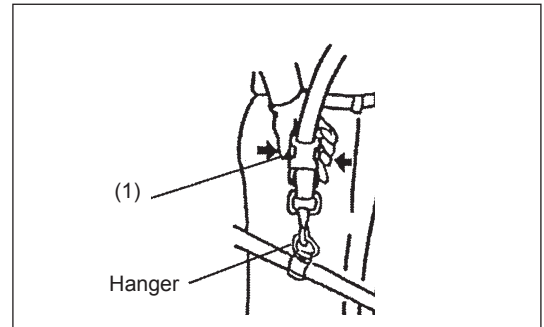
### Detachment

#### For EBH252L, EBH253L

- In an emergency, push the notches (1) at both sides, and you can detach the machine from you.

Be extremely careful to maintain control of the machine at this time. Do not allow the machine to be deflected toward you or anyone in the work vicinity.

WARNING: Failure to maintain complete control of the machine at all could result in serious bodily injury or DEATH.

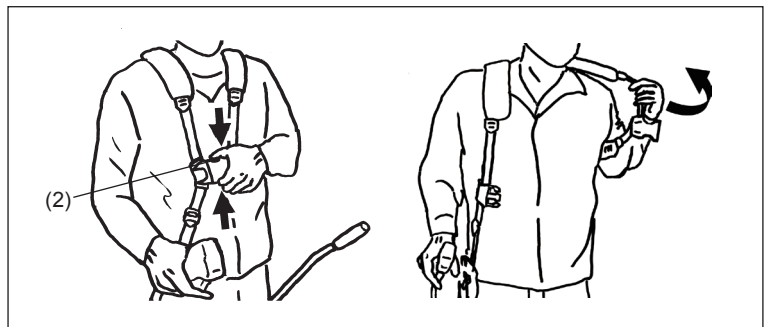


#### For EBH252U, EBH253U

- In an emergency, push the notches (2) at both sides, and you can detach the machine from you.

Be extremely careful to maintain control of the machine at this time. Do not allow the machine to be deflected toward you or anyone in the work vicinity.

WARNING: Failure to maintain complete control of the machine at all could result in serious bodily injury or DEATH.



## POINTS IN OPERATION AND HOW TO STOP

Observe the applicable accident prevention regulations!

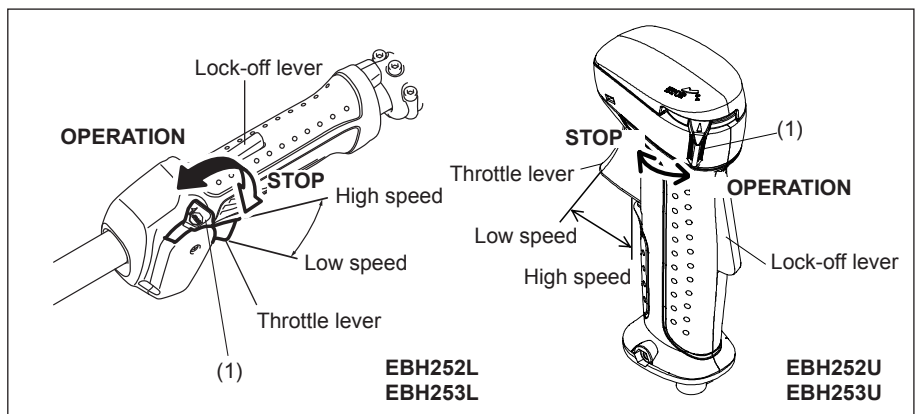


### STARTING

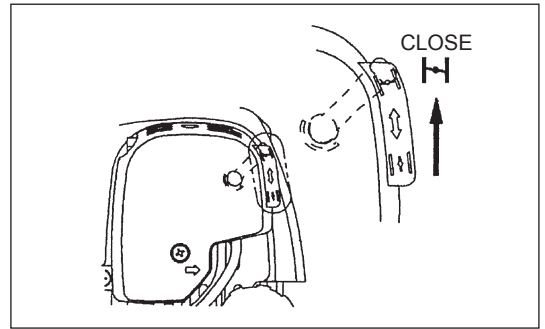
Move at least 3 m away from the place of refuelling. Place the Petrol Brushcutter on a clean piece of ground taking care that the cutting tool does not come into contact with the ground or any other objects.

#### A: Cold start

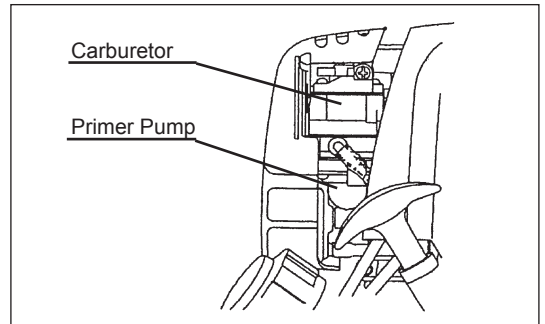
- 1) Set this machine on a flat space.



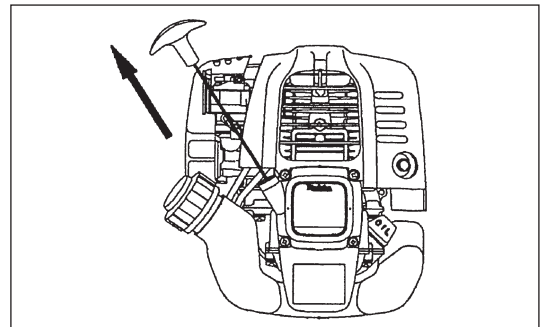
- 2) Set the I-O switch (1) to OPERATION.
- 3) Choke lever  
Close the choke lever.  
Choke opening:
  - Full closing in cold or when the engine is cold.
  - Full or half opening in restart just after stop of operation.



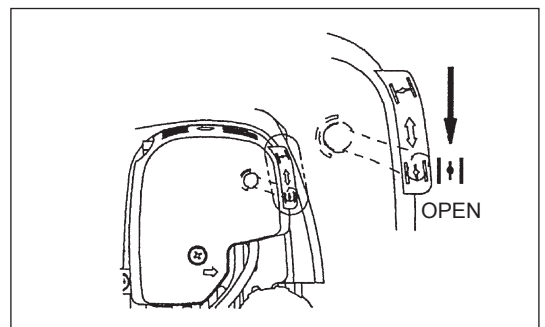
- 4) Primer pump  
Continue to push the primer pump until fuel enters into the primer pump. (In general, fuel enters into the primer pump by 7 to 10 pushes.)  
If the primer pump is pushed excessively, an excess of gasoline returns to the fuel tank.



- 5) Recoil starter  
Pull the start knob gently until it is hard to pull (compression point). Then, return the start knob, and pull it strongly.  
Never pull the rope to the full. Once the start knob is pulled, never release your hand immediately. Hold the start knob until it returns to its original point.



- 6) Choke lever  
When the engine starts, open the choke lever.
  - Open the choke lever progressively while checking the engine operation. Be sure to open the choke lever to the full in the end.
  - In cold or when the engine is cooled down, never open the choke lever suddenly. Otherwise, the engine may stop.



- 7) Warm-up operation  
Continue warm-up operation for 2 to 3 minutes.

Note: – If the starter handle is pulled repeatedly when the choke lever remains at “CLOSE” position, the engine will not start easily due to excessive fuel intake.  
– In case of excessive fuel intake, remove the spark plug and pull the starter handle slowly to remove excess fuel. Also, dry the electrode section of the spark plug.

### Caution during operation:

If the throttle lever is opened fully in a no-load operation, the engine rotation is increased to 10,000 min<sup>-1</sup> or more. Never operate the engine at a higher speed than required and at an approximate speed of 6,000 - 8,500 min<sup>-1</sup>.



## B: Startup after warm-up operation

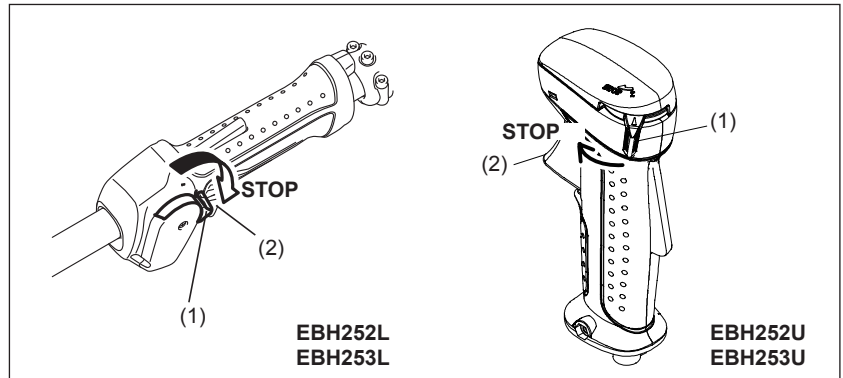
- 1) Push the primer pump repeatedly.
- 2) Keep the throttle lever at the idling position.
- 3) Pull the recoil starter strongly.
- 4) If it is difficult to start the engine, open the throttle by about 1/3.  
Pay attention to the cutter blade which may rotate.

### Attention in Operation

When the engine is operated upside down, white smoke may come out from the muffler.

## STOPPING

- 1) Release the throttle lever (2) fully, and when the engine rpm has lowered, set the I-O switch to STOP the engine will now stop.
- 2) Be aware that the cutting head may not stop immediately and allow it to slow down fully.

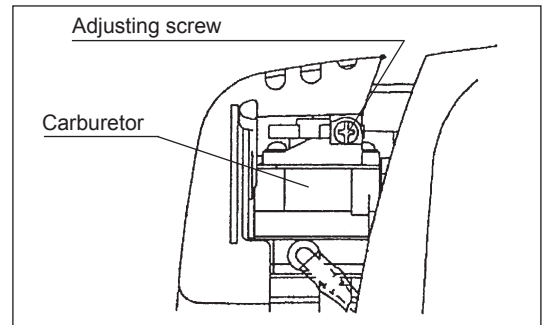


## ADJUSTMENT OF LOW-SPEED ROTATION (IDLING)

When it is necessary to adjust the low-speed rotation (idling), perform it by the carburetor adjusting screw.

### CHECKUP OF LOW-SPEED ROTATION

- Set the low-speed rotation to 3,000 min<sup>-1</sup>.  
If it is necessary to change the rotation speed, regulate the adjusting screw (illustrated on the right), with Phillips screwdriver.
- Turn the adjusting screw to the right, and the engine rotation will increase.  
Turn the adjusting screw to the left, and the engine rotation will drop.
- The carburetor is generally adjusted before shipment. If it is necessary to readjust it, please contact Authorized Service Agent.



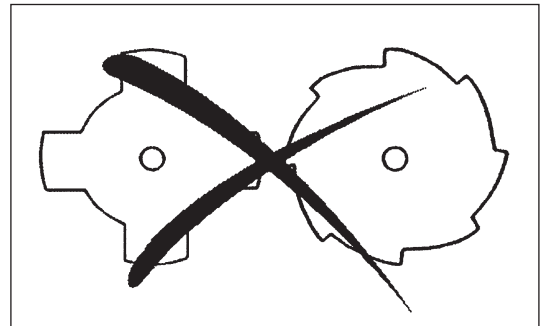
## RESHARPENING THE CUTTING TOOL



**CAUTION:** The cutting tools mentioned below must only be resharpened by an authorized facility. Manual resharpening will result in imbalances of the cutting tool causing vibrations and damage to the equipment.

- cutter blade  
An expert resharpening and balancing service is provided by Authorized Service Agents.

**NOTE:** To increase the service life of the cutter blade it may be turned over once, until both cutting edges have become blunt.



## NYLON CUTTING HEAD

The nylon cutting head is a dual string trimmer head capable of both automatic and bump & feed mechanisms.

The nylon cutting head will automatically feed out the proper length of nylon cord by the changes in centrifugal force caused by increasing or decreasing rpms. However, to cut soft grass more efficiently, bump the nylon cutting head against the ground to feed out extra cord as indicated under operation section.

### Operation

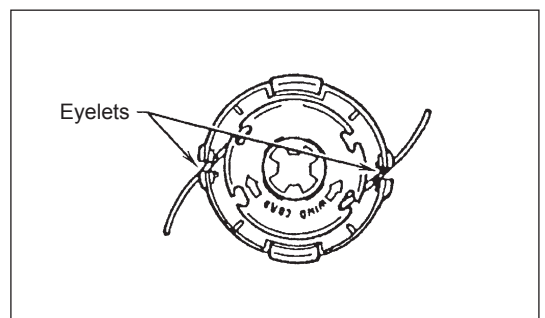
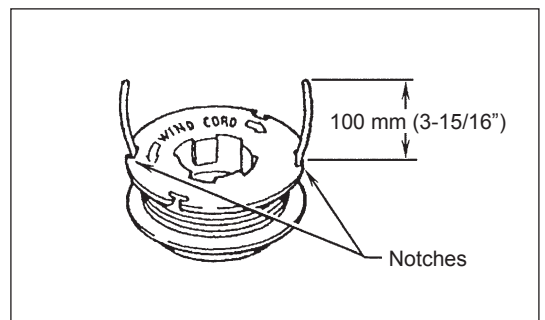
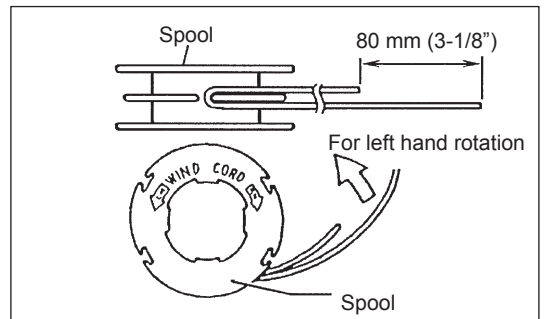
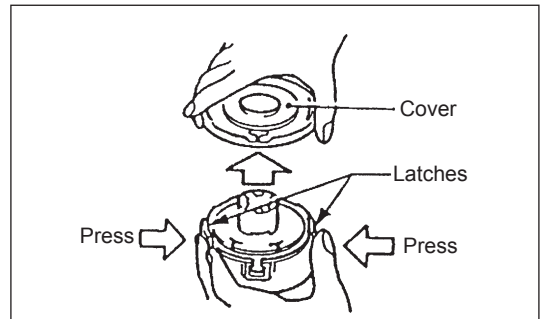
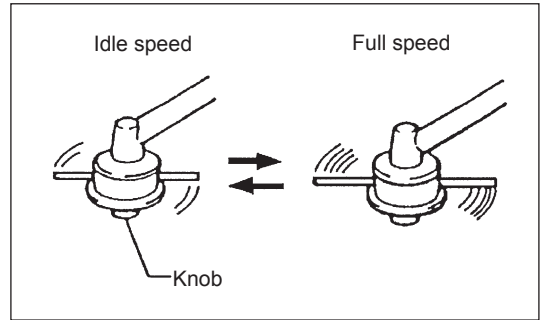
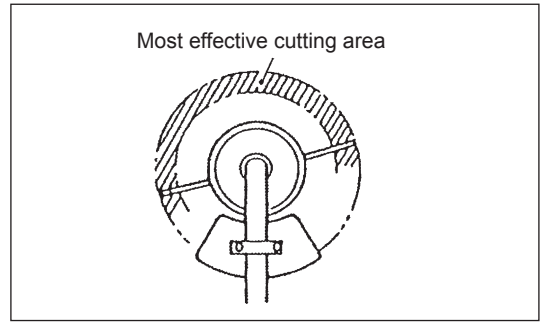
- Increase the nylon cutting head speed to approx. 6,000 min<sup>-1</sup>. Low speed (under 4,800 min<sup>-1</sup>) is not suitable, the nylon cord will not feed out properly at low speed.
- The most effective cutting area is shown by the shaded area.

If the nylon cord does not feed out automatically proceed as follows:

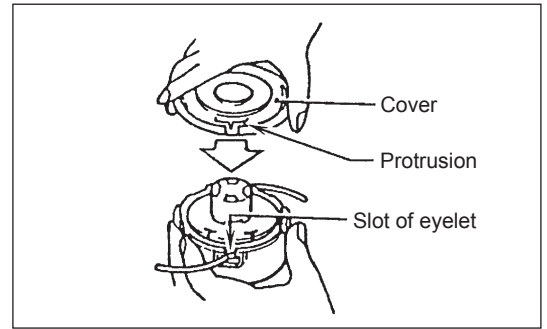
1. Release the throttle lever to run the engine idle and then squeeze the throttle lever fully. Repeat this procedure until the nylon cord feeds out to the proper length.
2. If the nylon cord is too short to feed out automatically with the above procedure, bump the knob of the nylon cutting head against the ground to feed out the nylon cord.
3. If the nylon cord does not feed out with procedure 2, rewind/replace the nylon cord by following the procedures described under "Replacing the nylon cord."

### Replacing the nylon cord

- First, stop the engine.
- Press on the housing latches inward to lift off the cover, then remove the spool.
- Hook the center of new nylon cord into the notch in the center of the spool, with one end of the cord extending about 80 mm (3-1/8") more than the other. Then wind both ends firmly around the spool in the direction of the head rotation (left-hand direction indicated by LH and right-hand direction by RH on the side of the spool).
- Wind all but about 100 mm (3-15/16") of the cords, leaving the ends temporarily hooked through a notch on the side of the spool.
- Mount the spool in the housing so that the grooves and protrusions on the spool match up with those in the housing. Keep the side with letters on the spool visible on the top. Now, unhook the ends of the cord from their temporary position and feed the cords through the eyelets to come out of the housing.



- Align the protrusion on the underside of the cover with the slots of the eyelets.  
Then push cover firmly onto the housing to secure it.



## SERVICING INSTRUCTIONS

**CAUTION:** Before doing any work on the Petrol Brushcutter, always stop the engine and pull the plug cap off the spark plug (see “checking the spark plug”).  
Always wear protective gloves!

To ensure a long service life and to avoid any damage to the equipment, the following servicing operations should be performed at regular intervals.

### Daily checkup and maintenance

- Before operation, check the machine for loose screws or missing parts. Pay particular attention to the tightness of the cutter blade or nylon cutting head.
- Before operation, always check for clogging of the cooling air passage and the cylinder fins.  
Clean them if necessary.
- Perform the following work daily after use:
  - Clean the Petrol Brushcutter externally and inspect for damage.
  - Clean the air filter. When working under extremely dusty conditions, clean the filter the several times a day.
  - Check the blade or the nylon cutting head for damage and make sure it is firmly mounted.
  - Check that there is sufficient difference between idling and engagement speed to ensure that the cutting tool is at a standstill while the engine is idling (if necessary reduce idling speed).  
If under idling conditions the tool should still continue to run, consult your nearest Authorized Service Agent.
- Check the functioning of the I-O switch, the lock-off lever, the control lever, and the look button.

### REPLACEMENT OF ENGINE OIL

Deteriorated engine oil will shorten the life of the sliding and rotating parts to a great extent. Be sure to check the period and quantity of replacement.



**ATTENTION:** In general, the engine main unit and engine oil still remain hot just after the engine is stopped. In replacement of oil, confirm that the engine main unit and engine oil are sufficiently cooled down. Otherwise, there may remain a risk of scald.

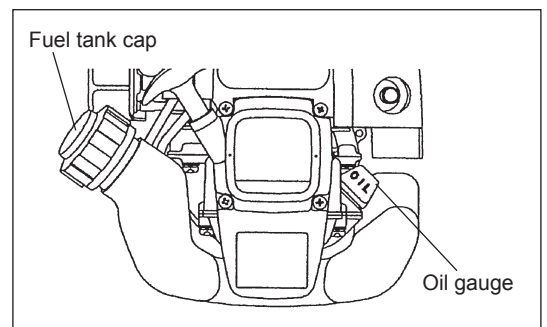
**Note:** If the oil filled above the limit, it may be contaminated or may catch fire with white smoke.

**Interval of replacement:** Initially, every 20 operating hours, and subsequently every 50 operating hours

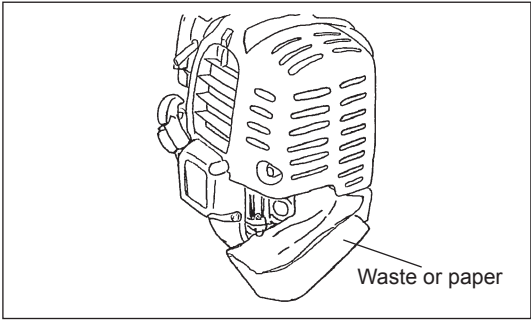
**Recommended oil:** SAE10W-30 oil of API Classification SF Class or higher (4-stroke engine oil for automobile)

In replacement, perform the following procedure.

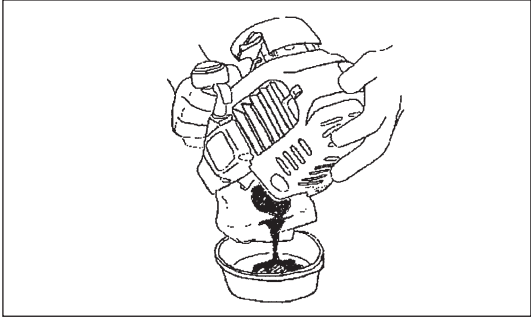
- 1) Confirm that the tank cap is tightened securely.
- 2) Detach the oil gauge.  
Keep the oil gauge free from dust or dirt.



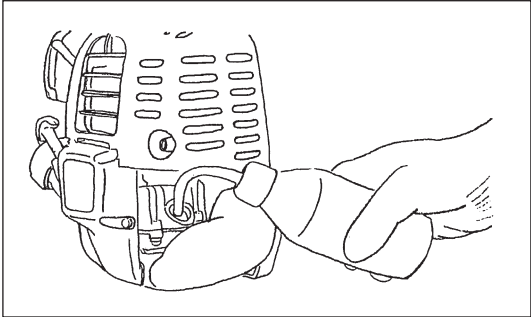
3) Place waste or paper near the oil refill port.



4) Detach the oil gauge, and drain oil, tilting the main unit toward the oil refill port. Drain oil in a container for orderly disposal.



5) Keep the engine level, and feed new oil up to the edge of the oil refill port. In refill, use a lubricant refill container.  
6) After refill, securely tighten the oil gauge. Insufficient tightening of the oil gauge will lead to oil leakage.



**POINTS ON OIL**

- Never discard replaced engine oil in garbage, earth or sewage ditch. Disposal of oil is regulated by law. In disposal, always follow the relevant laws and regulations. For any points remaining unknown, contact Authorized Service Agent.
- Oil will deteriorate even when it is kept unused. Perform inspection and replacement at regular intervals (replace with new oil every 6 months).

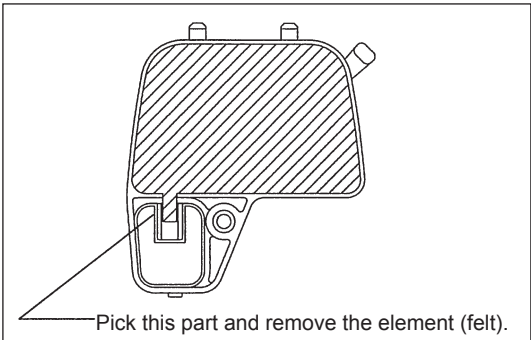
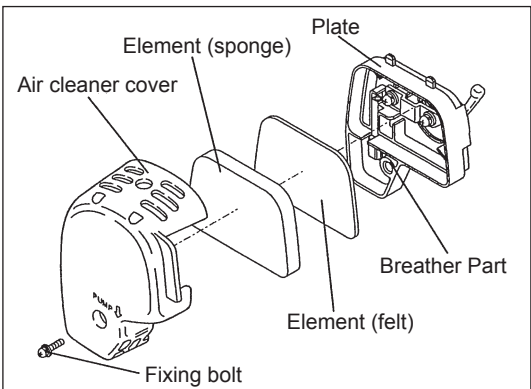
**CLEANING OF AIR CLEANER**



**DANGER: INFLAMMABLES STRICTLY PROHIBITED**

**Interval of Cleaning and Inspection: Daily (every 10 operating hours)**

- Turn the choke lever to the full close side, and keep the carburetor off from dust or dirt.
- Remove the air cleaner cover-fixing bolts.
- Pull the cover lower side and detach the air cleaner cover.
- If oil adheres to the element (sponge), squeeze it firmly.
- For heavy contamination:
  - 1) Remove the element (sponge), immerse it in warm water or in water-diluted neutral detergent, and dry it completely.
  - 2) Clean the element (felt) with gasoline, and dry it completely.
- Before attaching the element, be sure to dry it completely. Insufficient drying of the element may lead to difficult startup.
- Wipe out with waste cloth, oil adhering around the air cleaner cover and plate breather.
- Immediately after cleaning is finished, attach the cleaner cover and tighten it with fixing bolts. (In remounting, first place the upper claw, and then the lower claw.)



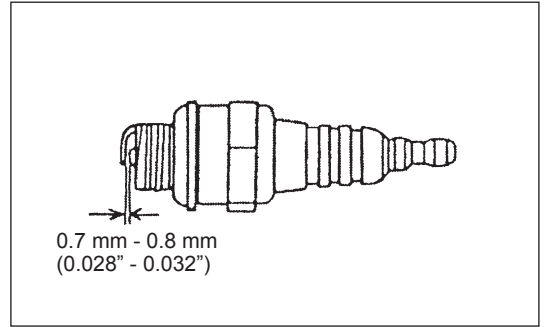
**Points in Handling Air Cleaner Element**

- Clean the element several times a day, if excessive dust adheres to it.
- If operation continues with the element remaining not cleared of oil, oil in the air cleaner may fall outside, resulting in oil contamination.

## CHECKING THE SPARK PLUG

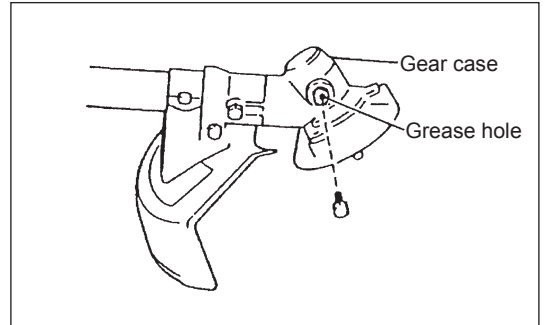
- Only use the supplied universal wrench to remove or to install the spark plug.
- The gap between the two electrodes of the spark plug should be 0.7 - 0.8 mm (0.028" - 0.032"). If the gap is too wide or too narrow, adjust it. If the spark plug is clogged or contaminated, clean it thoroughly or replace it.

CAUTION: Never touch the spark plug connector while the engine is running (danger of high voltage electric shock).



## SUPPLY OF GREASE TO GEAR CASE

- Supply grease (Shell Alvania 2 or equivalent) to the gear case through the grease hole every 30 hours. (Genuine MAKITA grease may be purchased from your MAKITA dealer.)



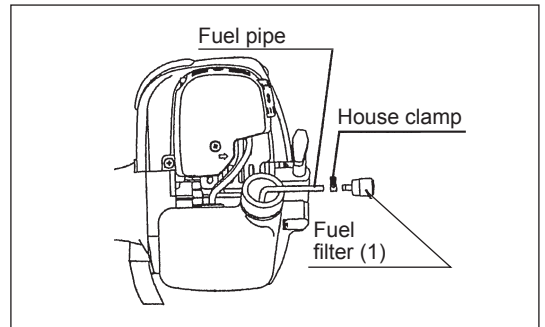
## CLEANING OF FUEL FILTER

### WARNING: INFLAMMABLES STRICTLY PROHIBITED

Interval of Cleaning and Inspection: Monthly (every 50 operating hours)

### Suction head in the fuel tank

- The fuel filter (1) of the suction head is used to filter the fuel required by the carburetor.
- A periodical visual inspection of the fuel filter is to be conducted. For that purpose open the tank cap, use a wire hook and pull out the suction head through the tank opening. Filters found to have hardened, been polluted or clogged up are to be replaced.
- Insufficient fuel supply can result in the admissible maximum speed being exceeded. It is therefore important to replace the fuel filter at least quarterly to ensure satisfactory fuel supply to the carburetor.



## REPLACEMENT OF FUEL PIPE

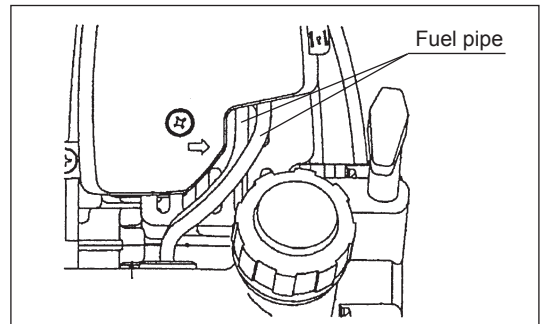
### CAUTION: INFLAMMABLES STRICTLY PROHIBITED

Interval of Cleaning and Inspection: Daily (every 10 operating hours)

Replacement: Annually (every 200 operating hours)

Replace the fuel pipe every year, regardless of operating frequency. Fuel leakage may lead to fire.

If any leakage is detected during inspection, replace the oil pipe immediately.



## INSPECTION OF BOLTS, NUTS AND SCREWS

- Retighten loose bolts, nuts, etc.
- Check for fuel and oil leakage.
- Replace damaged parts with new ones for safety operation.

## CLEANING OF PARTS

- Keep the engine always clean.
- Keep the cylinder fins free of dust or dirt. Dust or dirt adhering to the fins will cause piston seizure.

## REPLACEMENT OF GASKETS AND PACKINGS

In reassembling after the engine is dismantled, be sure to replace the gaskets and packings with new ones.

Any maintenance of adjustment work that is not included and described in this manual is only to be performed by Authorized Service Agents.

## STORAGE



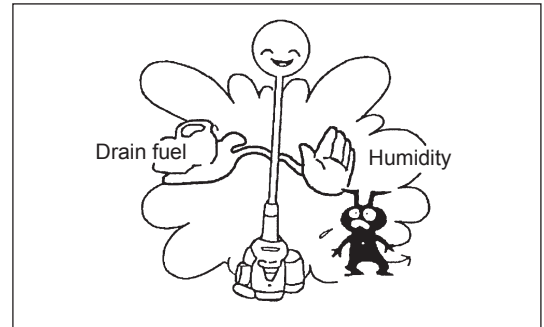
**WARNING: When draining the fuel, be sure to stop the engine and confirm that the engine cools down.**

Just after stopping the engine, it may still hot with possibility of burns, inflammability and fire.



**ATTENTION: When the machine is kept out of operation for a long time, drain up all fuel from the fuel tank and carburetor, and keep it at a dry and clean place.**

- Drain up fuel from the fuel tank and carburetor according to the following procedure:
  - 1) Remove the fuel tank cap, and drain fuel completely.  
If there is any foreign matter remaining in the fuel tank, remove it completely.
  - 2) Pull out the fuel filter from the refill port using a wire.
  - 3) Push the primer pump until fuel is drained from there, and drain fuel coming into the fuel tank.
  - 4) Reset the filter to the fuel tank, and securely tighten the fuel tank cap.
  - 5) Then, continue to operate the engine until it stops.
- Remove the spark plug, and drip several drops of engine oil through the spark plug hole.
- Gently pull the starter handle so that engine oil will spread over the engine, and attach the spark plug.
- Attach the cover to the cutter blade.
- During storage, keep the rod horizontal or keep the machine upright with the blade edge oriented upward. (In this case, pay full attention to prevent the machine from falling.)  
Never store the machine with the cutter blade edge oriented downward.  
Lubricating oil may spill out.
- Keep the drained fuel in a special container in a well-ventilated shade.



### Attention after long-time storage

- Before startup after long-time shutdown, be sure to replace oil (refer to P 19). Oil will deteriorate while the machine is kept out of operation.

### Fault location

Fault	System	Observation	Cause
Engine not starting or with difficulty	Ignition system	Ignition spark O.K.	Fault in fuel supply or compression system, mechanical defect
		No ignition spark	STOP-switch operated, wiring fault or short circuit, spark plug or connector defective, ignition module faulty
	Fuel supply	Fuel tank filled	Incorrect choke position, carburetor defective, fuel supply line bent or blocked, fuel dirty
	Compression	No compression when pulled over	Cylinder bottom gasket defective, crankshaft seals damaged, cylinder or piston rings defective or improper sealing of spark plug
Warm start problems	Mechanical fault	Starter not engaging	Broken starter spring, broken parts inside of the engine
		Tank filled ignition spark existing	Carburetor contaminated, have it cleaned
Engine starts but dies	Fuel supply	Tank filled	Incorrect idling adjustment, carburetor contaminated Fuel tank vent defective, fuel supply line interrupted, cable or STOP-switch faulty
Insufficient performance	Several systems may simultaneously be affected	Engine idling poor	Air filter contaminated, carburetor contaminated, muffler clogged, exhaust duct in the cylinder clogged

Item	Operating time	Before operation	After lubrication	Daily (10h)	30h	50h	200h	Shutdown/rest	Corresponding P
Engine oil	Inspect/clean	○							13
	Replace					○*1			19
Tightening parts (bolt, nut)	Inspect	○							21
Fuel tank	Clean/inspect	○							—
	Drain fuel							○*3	22
Throttle lever	Check function		○						—
Stop switch	Check function		○						17
Cutting blade	Inspect	○		○					11
Low-speed rotation	Inspect/adjust			○					17
Air cleaner	Clean			○					20
Ignition plug	Inspect			○					21
Cooling air duct	Clean/inspect			○					21
Fuel pipe	Inspect			○					21
	Replace						◎*2		—
Gear-case grease	Refill				○				21
Fuel filter	Clean/replace					○			21
Clearance between air intake valve and air discharge valve	Adjust						◎*2		—
Engine overhaul							◎*2		—
Carburetor	Drain fuel							○*3	22

\*1 Perform initial replacement after 20h operation.

\*2 For the 200 operating hour inspection, request Authorized Service Agent or a machine shop.

\*3 After emptying the fuel tank, continue to run the engine and drain fuel in the carburetor.

## TROUBLESHOOTING

Before making a request for repairs, check a trouble for yourself. If any abnormality is found, control your machine according to the description of this manual. Never tamper or dismount any part contrary to the description. For repairs, contact Authorized Service Agent or local dealership.

State of abnormality	Probable cause (malfunction)	Remedy
Engine does not start	Failure to operate primer pump	Push 7 to 10 times
	Low pulling speed of starter rope	Pull strongly
	Lack of fuel	Feed fuel
	Clogged fuel filter	Clean
	Broken fuel tube	Straighten fuel tube
	Deteriorated fuel	Deteriorated fuel makes starting more difficult. Replace with new one. (Recommended replacement: 1 month)
	Excessive suction of fuel	Set throttle lever from medium speed to high speed, and pull starter handle until engine starts. <b>Once engine starts, cutter blade starts rotating. Pay full attention to cutter blade.</b> If engine will not start still, remove spark plug, make electrode dry, and reassemble them as they originally are. Then, start as specified.
	Detached plug cap	Attach securely
	Contaminated spark plug	Clean
	Abnormal clearance of spark plug	Adjust clearance
	Other abnormality of spark plug	Replace
	Abnormal carburetor	Make request for inspection and maintenance.
	Starter rope cannot be pulled	Make request for inspection and maintenance.
	Abnormal drive system	Make request for inspection and maintenance.
Engine stops soon Engine speed does not increase	Insufficient warm-up	Perform warm-up operation
	Choke lever is set to "CLOSE" although engine is warmed up.	Set to "OPEN"
	Clogged fuel filter	Clean
	Contaminated or clogged air cleaner	Clean
	Abnormal carburetor	Make request for inspection and maintenance.
	Abnormal drive system	Make request for inspection and maintenance.
Cutter blade does not rotate ↓ Stop engine immediately	Loosened cutter blade-tightening nut	Tighten securely
	Twigs caught by cutter blade or dispersion-preventing cover.	Remove foreign matter
	Abnormal drive system	Make request for inspection and maintenance.
Main unit vibrates abnormally ↓ Stop engine immediately	Broken, bent or worn cutter blade	Replace cutter blade
	Loosened cutter blade-tightening nut	Tighten securely
	Shifted convex part of cutter blade and cutter blade support fitting.	Attach securely
	Abnormal drive system	Make request for inspection and maintenance.
Cutter blade does not stop immediately ↓ Stop engine immediately	High idling rotation	Adjust
	Detached throttle wire	Attach securely
	Abnormal drive system	Make request for inspection and maintenance.
Engine does not stop ↓ Run engine at idling, and set choke lever to CLOSE	Detached connector	Attach securely
	Abnormal electric system	Make request for inspection and maintenance.

When the engine does not start after warm-up operation:

If there is no abnormality found for the check items, open the throttle by about 1/3 and start the engine.



Дуже Вам дякуємо за покупку бензинового кущоріза МАКІТА. Ми раді рекомендувати Вам бензиновий кущоріз МАКІТА, що є результатом довгої програми розвитку та багаторічного знання і досвіду. Будь ласка, прочитайте цю брошуру, в ній детально описуються різні вказівки щодо роботи пристрою, який продемонструє відмінні робочі характеристики. Цей документ допоможе Вам досягти найкращого результату експлуатації Вашого бензинового кущоріза МАКІТА.



<b>Зміст</b>	<b>Сторінка</b>
Позначення.....	25
Інструкції з техніки безпеки .....	26
Технічні характеристики .....	30
Призначення частин .....	32
Монтаж ручки .....	33
Монтаж протектора.....	34
Монтаж ріжучої пластини або нейлонової ріжучої головки.....	35
Перед початком роботи.....	36
Належне поводження з пристроєм.....	38
Вказівки щодо роботи та порядку зупинки .....	38
Заточування ріжучого інструменту .....	40
Вказівки щодо технічного обслуговування .....	42
Зберігання .....	45

## ПОЗНАЧЕННЯ

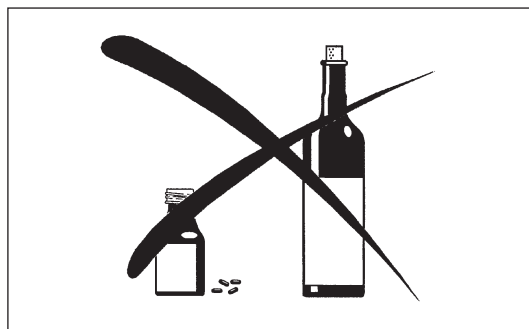
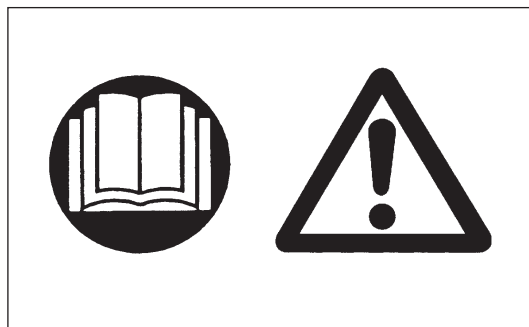
При читанні цієї інструкції Ви зустрінете такі позначення.

	Ознайомтесь з цією інструкцією та дотримуйтесь застережень та заходів безпеки!		Не допускайте сторонніх осіб та домашніх тварин до зони роботи!
	Будьте особливо уважні та обережні!		Вдягайте захисний шолом та засоби захисту зору та слуху!
	Заборонено!		Гранична швидкість роботи інструменту
	Тримайте дистанцію!		Паливо (бензин)
	Небезпека відлітаючих предметів!		Ручний запуск двигуна
	Не палити!		Аварійна зупинка
	Не використовувати пристрій поблизу відкритого вогню!		Перша допомога
	Треба вдягати захисні рукавиці!		УВІМК./ПУСК
	Вдягніть міцне взуття з підшвами, що не ковзають. Ми рекомендуємо захисне взуття зі сталевим носком!		ВИМК./ЗУПИНКА
	Віддача!		

## ІНСТРУКЦІЇ З ТЕХНІКИ БЕЗПЕКИ

### Загальні положення

- Прочитайте цю інструкцію з експлуатації, щоб ознайомитися з правилами поводження з інструментом. Недостатньо інформовані користувачі піддають себе та оточуючих людей небезпеці через невірне поводження з інструментом.
- Використовувати інструмент дозволяється тільки особам, які є його досвідченими користувачами. Із цим пристроєм слід завжди передавати й інструкцію.
- Особи, які користуються цим інструментом уперше, повинні попросити дилера надати основні інструкції щодо належного поводження з кущорізом.
- Заборонено користуватися інструментом дітям та особам, яким не виповнилося 18 років. Разом з тим, особам, яким вже виповнилося 16, дозволяється використовувати інструмент з навчальною метою, однак під наглядом кваліфікованого інструктора.
- Використовуйте інструмент із максимальною обережністю й увагою.
- Робота з інструментом дозволяється, тільки якщо Ви перебуваєте в гарній фізичній формі. Усю роботу виконуйте спокійно та обережно. Користувач несе відповідальність за інших людей.
- Ніколи не використовуйте цей інструмент після приймання ліків чи алкоголю або у разі втоми чи хворобливого стану.
- Національні нормативи можуть обмежувати використання цього обладнання.

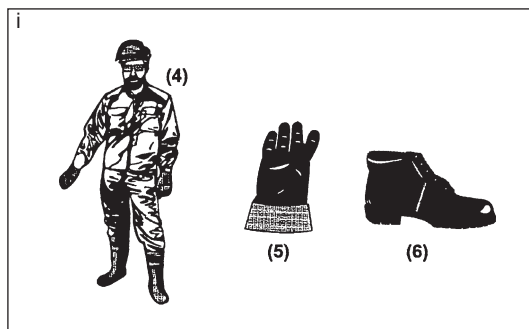
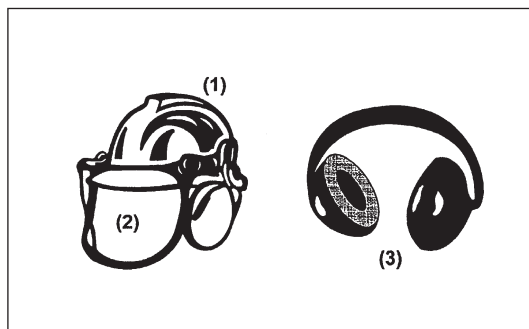


### Використання інструмента за призначенням

- Цей інструмент призначений виключно для скошування трави, бур'яну, кущів та підліска. Не дозволяється використовувати його за іншим призначенням, наприклад, для окантовки та стриження живоплоту, оскільки це може призвести до травм.

### Засоби індивідуального захисту

- Одяг, який Ви носите, повинен бути функціональним та відповідним, тобто він має щільно прилягати, проте не заважати роботі. Заборонено надягати біжутерію або одяг, який може заплутатись у гілках або кущах.
- Для запобігання травмам голови, очей, рук або ніг, а також для захисту органів слуху, під час роботи з інструментом слід використовувати засоби захисту та захисний спецодяг, зазначені нижче.
- Завжди надягайте захисний шолом, якщо є небезпека падіння предметів. Захисний шолом (1) слід регулярно перевіряти на наявність пошкоджень та замінити не рідше ніж через 5 років. Користуйтеся тільки дозволеними захисними шоломами.
- Захисна маска (2) шолому (або захисні окуляри) захищає обличчя від уламків та каміння, що розлітаються. Під час роботи завжди надягайте захисні окуляри або захисну маску, щоб запобігти травмам очей.
- Надягайте відповідні засоби захисту від шуму, щоб запобігти порушенням слуху (навушники (3), беруші тощо).
- Робочий спецодяг (4) захищає від уламків та каміння, що відлітають. Ми наполегливо рекомендуємо надягати робочий спецодяг.
- Рукавиці (5) є частиною відповідного захисного одягу, і їх обов'язково слід надягати кожного разу під час виконання робіт.
- Використовуючи інструмент, завжди надягайте міцне взуття (6) з підшвами, що не ковзають. Це захистить Вас від травм та забезпечить стійку опору на ноги.



### Запуск кущоріза

- Будь ласка, переконайтеся, що в радіусі 15 метрів (50 футів) немає дітей або сторонніх осіб, також слідкуйте за тваринами поблизу місця роботи.
- Перед початком роботи завжди перевіряйте, щоб інструмент був у безпечному для роботи стані. Перевіряйте також надійність закріплення ріжучого інструмента та безперешкодну роботу важеля постачання пального, а також перевіряйте, чи належним чином працює функція блокування важеля постачання пального.
- Забороняється обертання ріжучого інструмента на холостому ходу. Якщо у Вас виникнуть питання щодо налаштування, звертайтеся до Вашого дилера. Перевіряйте, щоб ручки були чистими та сухими, після чого слід перевіряти функціональність пускового перемикача.

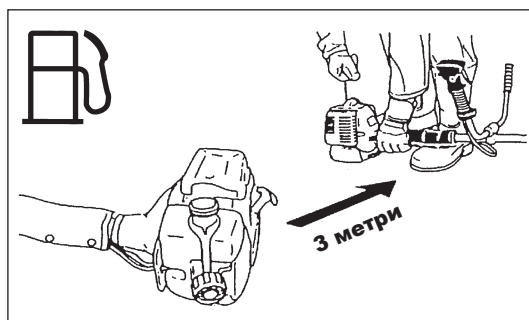
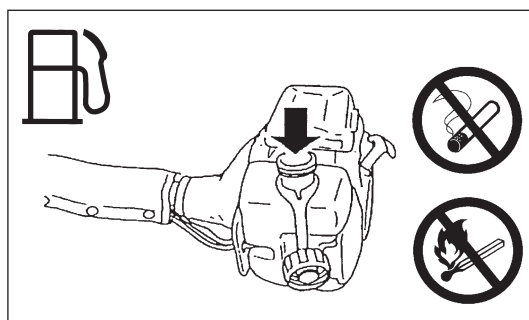
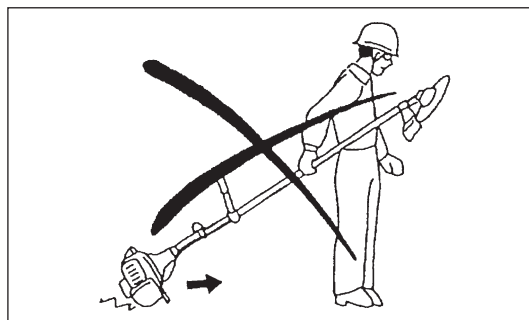
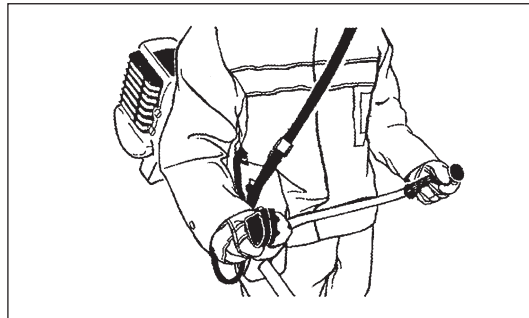
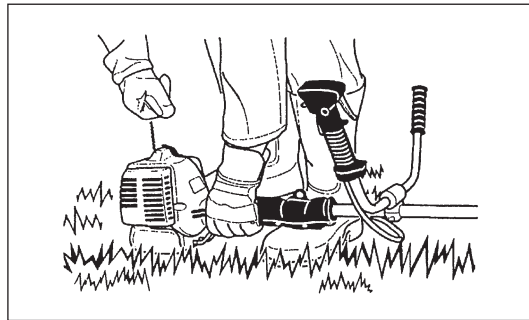


Запускайте кущоріз тільки відповідно до інструкцій.

- Не використовуйте інші способи запуску двигуна!
- Використовуйте кущоріз та відповідні інструменти тільки за призначенням.
- Запускайте двигун інструмента тільки після повного завершення збирання. Робота з інструментом дозволяється тільки після прикріплення усього відповідного приладдя!
- Перед початком роботи переконайтеся, що ріжучий інструмент не торкається твердих предметів, наприклад, гілля, каменів тощо, оскільки під час пуску він обертатиметься.
- У разі виникнення будь-яких проблем із двигуном його слід негайно вимикати.
- Якщо ріжучий інструмент наштовхнувся на каміння або на інші тверді предмети, негайно вимкніть двигун та огляньте ріжучий інструмент.
- Регулярно оглядайте ріжучий інструмент через короткі проміжки часу на наявність ушкоджень (виявляйте тонкі тріщини за допомогою шуму, що має характер постукування).
- Якщо інструмент зазнав серйозного удару або вправ, перш ніж продовжувати роботу слід перевірити його стан. Перевіряйте паливну систему на наявність витоків пального, а також належне функціонування усіх важелів керування та засобів безпеки. Якщо Ви виявили пошкодження або якщо у Вас виникли будь-які сумніви, звертайтеся до нашого авторизованого сервісного центру для проведення огляду інструмента та його ремонту.
- Користуйтеся інструментом тільки з приєднаним плечовим ременем, який треба відповідним чином налаштувати, перш ніж запускати кущоріз. Необхідно відрегулювати плечовий ремінь відповідно до фізичних даних користувача, щоб запобігти появі утоми під час роботи. Ніколи не тримайте інструмент під час роботи однією рукою.
- Під час роботи завжди тримайте кущоріз обома руками. Постійно слідкуйте за надійною опорою ніг.
- Використовуйте інструмент таким чином, щоб уникнути вдихання вихлопних газів. Ніколи не вмикайте двигун у закритому приміщенні (небезпека отруєння газом). Чадний газ не має запаху.
- Коли Ви відпочиваєте або залишаєте інструмент без нагляду, зупиняйте двигун та кладіть інструмент у безпечне місце, щоб запобігти небезпеці інших осіб або пошкодженню інструмента.
- Ніколи не кладіть гарячий кущоріз на суху траву або на поверхню із займистого матеріалу.
- Перед запуском двигуна завжди встановлюйте захисний щиток ріжучого інструмента. Інакше контакт із ріжучим інструментом може призвести до серйозних травм.
- Під час роботи необхідно використовувати всі захисні пристрої та щитки, що входять до комплекту інструмента.
- Ніколи не користуйтеся двигуном із пошкодженим глушителем.
- Вимикайте двигун під час транспортування інструмента.
- При перевезенні слід завжди приєднувати кришку до ріжучої пластини.
- Задля запобігання витоків пального під час перевезень слідкуйте за безпечним розташуванням інструмента у транспортному засобі.
- Перед перевезенням інструмента слід переконаватися, що паливний бак порожній.
- Під час знімання інструмента із транспортного засобу ніколи не кидайте двигун на землю, оскільки це може серйозно пошкодити паливний бак.
- Крім аварійних випадків, ніколи не роняйте та не кидайте інструмент на землю, оскільки це може серйозно пошкодити його.
- Під час переміщення не забувайте повністю піднімати інструмент із землі. Волочіння паливного баку є небезпечним і призведе до його пошкодження та витоків пального, що може спричинити пожежу.

## Заправка

- Під час заправки вимикайте двигун та тримайтеся подалі від відкритого вогню і не паліть.
- Уникайте контакту шкіри із мінеральними нафтопродуктами. Не вдихайте випаровування пального. Під час заправки завжди надягайте захисні рукавиці. Регулярно замінюйте та чистьте захисний одяг.
- Будьте обережні, щоб не розлити пальне або мастило, оскільки це призведе до забруднення ґрунту (захист довкілля). Якщо Ви розлили пальне на кущоріз, одразу ж очистіть його.
- Уникайте контакту пального з одягом. Негайно замінюйте одяг, якщо на нього потрапило пальне (щоб запобігти займанню одягу).
- Регулярно перевіряйте кришку паливного баку, аби переконаватися, що вона надійно закривається та не пропускає рідину.
- Надійно затягуйте кришку паливного баку. Перед увімкненням двигуна переходьте в інше місце (щонайменше на 3 метри від місця заправки).
- Ніколи не заправляйте інструмент у закритому приміщенні. Випаровування пального збираються на рівні підлоги (небезпека вибуху).
- Перевозіть та зберігайте пальне у відповідних контейнерах. Слідкуйте за тим, щоб діти не мали доступу до пального, яке Ви зберігаєте.



## Порядок роботи

- Використовуйте інструмент тільки за умов достатнього освітлення та видимості. Узимку бережіться слизьких або вологих ділянок, льоду та снігу (небезпека ковзання). Постійно слідкуйте за надійністю опори на ноги.
- Ніколи не ріжте вище рівня пояса.
- Ніколи не стійте на драбині.
- Ніколи не залізайте на дерева для виконання робіт за допомогою пристрою.
- Ніколи не працюйте на нестійких поверхнях.
- Якщо в межах місця роботи знаходяться цвяхи, пісок, каміння тощо, приберіть їх. Сторонні предмети можуть пошкодити ріжучий інструмент та призвести до небезпечної віддачі.
- Перед початком роботи ріжучий інструмент повинен розвинути повну робочу швидкість.
- Якщо Ви використовуєте металеву ріжучу пластину, пересувайте інструмент рівномірно півколом з правого боку у лівий бік, як при використанні коси. Якщо трава або гілля застрягне між ріжучим інструментом та захисним щитком, завжди вимикайте двигун перед очищенням. Інакше випадкове обертання ріжучої пластини може призвести до серйозних травм.
- Відпочивайте, щоб не допустити втрати контролю внаслідок перевтомлення. Ми рекомендуємо робити паузу на 10–20 хвилин після кожної години роботи.

## Ріжучі інструменти

- Використовуйте ріжучий інструмент, який підходить для виконуваної роботи. Ріжучі головки з нейлоновим шнуром (ріжучі головки кордової газонокосарки) підходять для скошування газону. Металеві ріжучі пластини підходять для скошування бур'яну, високої трави, кущів, підліска, молодих насаджень та ін. Ніколи не використовуйте інші ріжучі пластини, у тому числі ріжучі металеві ланцюги та шарнірні ріжучі пластини. Інакше це може призвести до серйозних травм.
- Під час використання металевих ріжучих пластин уникайте віддачі, однак будьте завжди готові до її раптового виникнення. Див. розділ, де описується віддача та засоби її попередження.

## Віддача (тиск на ріжучу пластину)

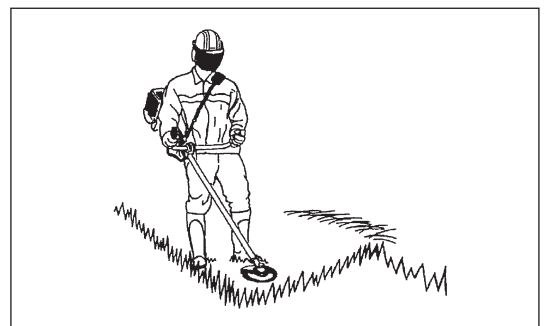
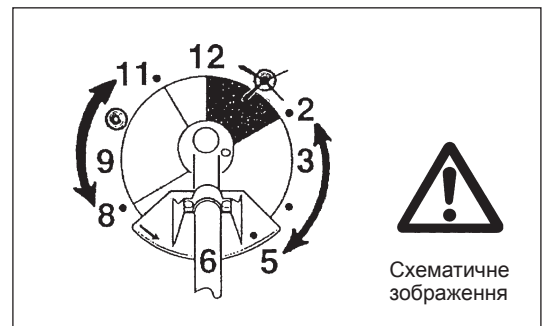
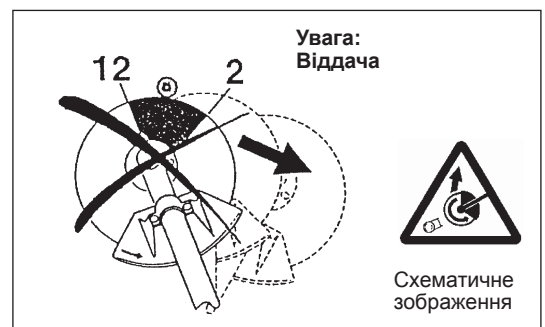
- Віддача (тиск на ріжучу пластину) – це несподівана реакція інструмента на потрапляння сторонніх предметів на ріжучу пластину. У разі виникнення віддачі інструмент із великою силою подається убік або до оператора, що може спричинити серйозні травми.
- Особливо часто віддача виникає при контакті інструмента із твердими предметами, кущами та деревами діаметром від 3 см в області сегмента ріжучої пластини, який знаходиться між 12 та 2 годинами.
- Щоб запобігти віддачі:
  - Використовуйте сегмент між 8 та 11 годинами;
  - Забороняється застосовувати сегмент ріжучої пластини між 12 та 2 годинами;
  - Якщо оператор володіє відповідними знаннями та досвідом, то йому на свій страх і ризик дозволяється використовувати сегменти між 11 та 12 годинами та між 2 та 5 годинами;
  - Ніколи не використовуйте ріжучі пластини поблизу твердих предметів, наприклад, біля парканів, стін, стовбурів дерев та каміння;
  - Ніколи не використовуйте ріжучі пластини у вертикальному положенні для окантовки та стриження живоплоту.

## Вібрація

- Людина, яка має поганий кровообіг та постійно стикається із сильною вібрацією, може зазнати порушення кровоносних судин або нервової системи. Вібрація може спричинити наведені нижче симптоми з боку пальців, рук або зап'ясть: "Засинання" (оніміння), дзенькіт у вухах, біль, гострий біль, зміна кольору шкіри або її структури. За наявності хоча б одного із цих симптомів слід обов'язково порадитися із лікарем!
- З метою запобігання ризику появи "синдрому білих пальців" слід стежити за тим, щоб руки були теплими під час роботи з інструментом, а також під час технічного обслуговування обладнання та приладдя.

## Інструкції щодо технічного обслуговування

- Ремонт інструмента завжди має виконуватися у нашому авторизованому сервісному центрі з використанням тільки оригінальних запасних частин. Поганий ремонт або неналежне технічне обслуговування можуть скоротити термін служби інструмента та збільшити ризик нещасних випадків.
- Перед початком роботи необхідно перевіряти стан кушоріза, особливо його ріжучого інструмента, а також захисних засобів та плечового ремня. Особливу увагу слід приділяти ріжучій пластині, вона повинна бути належним чином заточена.
- Вимикайте двигун та виймайте конектор свічки запалювання, коли замінюєте, заточуєте та чистите ріжучий інструмент.



## Ніколи не зварюйте та не випрямляйте пошкоджені ріжучі інструменти.

- Не забувайте про захист довкілля. Не використовуйте важіль постачання пального занадто активно, щоб зменшити рівень шуму та забруднення навколишнього середовища. Належним чином налаштовуйте роботу карбюратора.
- Регулярно чистьте інструмент та перевіряйте, чи міцно затягнуті всі гвинти та гайки.
- Ніколи не здійснюйте технічне обслуговування та не кладіть інструмент на зберігання неподалік від відкритого полум'я.
- Завжди зберігайте інструмент у зачинених приміщеннях з порожнім паливним баком.
- Перед тим як проводити чищення, обслуговування інструмента та залишати його на зберігання, завжди слід приєднувати кришку до ріжучої пластини.



Дотримуйтеся усіх відповідних правил техніки безпеки, виданих певними професійними асоціаціями та страховими компаніями. Жодним чином не змінюйте конструкцію цього інструмента, оскільки це ставить під загрозу Вашу безпеку.

Технічне обслуговування та ремонт, покладені на користувача, обмежуються діями, описаними в цій інструкції з експлуатації. Усі інші роботи повинні виконуватися співробітниками авторизованої станції технічного обслуговування. Використовуйте тільки оригінальні запасні частини та приладдя, випущені та поставлені компанією MAKITA.

Використання нерекордованого приладдя та інструментів підвищує ризик виникнення нещасних випадків.

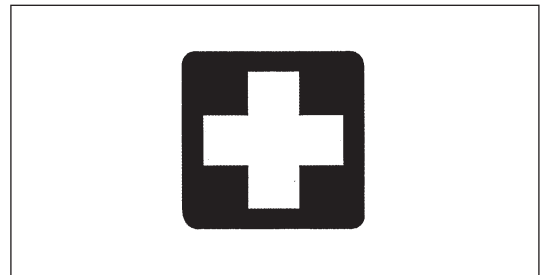
Компанія MAKITA не несе відповідальності за нещасні випадки або пошкодження, що сталися в результаті використання будь-яких нерекордованих ріжучих інструментів, кріпильних пристроїв або приладдя.

## Перша допомога

На випадок екстреної ситуації слід перевіряти, щоб аптечка знаходилася неподалік від місця роботи. Слід одразу ж класти до аптечки нові медичні засоби, що були використані.

## Викликаючи допомогу, надавайте таку інформацію:

- Місце нещасного випадку
- Що сталося
- Кількість поранених людей
- Тип поранень
- Ваше ім'я



---

Тільки для країн Європи

## Декларація про відповідність стандартам ЄС

**Ми, компанія Makita, як відповідальний виробник заявляємо, що зазначене нижче обладнання Makita:**

позначення обладнання: Кушоріз бензиновий

№ моделі/тип: EBH252U, EBH253U, EBH252L, EBH253L

технічні характеристики: див. таблицю "ТЕХНІЧНІ ДАНІ"

є серійним виробництвом та

**відповідає таким Європейським директивам:**

2000/14/EC, 2006/42/EC

та виготовлене відповідно до таких стандартів або стандартизованих документів:

EN ISO 11806-1

Технічна документація ведеться:

Makita International Europe Ltd., Technical Department,  
Michigan Drive, Tongwell, Milton Keynes, Bucks MK15 8JD, Англія

Процедура оцінки відповідності, яка вимагається Директивою 2000/14/EC, відбулася згідно з додатком V.

Вимірний рівень акустичної потужності: 109,3 дБ

Гарантований рівень акустичної потужності: 111 дБ

19. 12. 2008

Томоязу Като  
Директор  
Makita Corporation  
3-11-8, Sumiyoshi-cho,  
Anjo, Aichi, JAPAN

## ТЕХНІЧНІ ДАНІ EBH252U, EBH252L

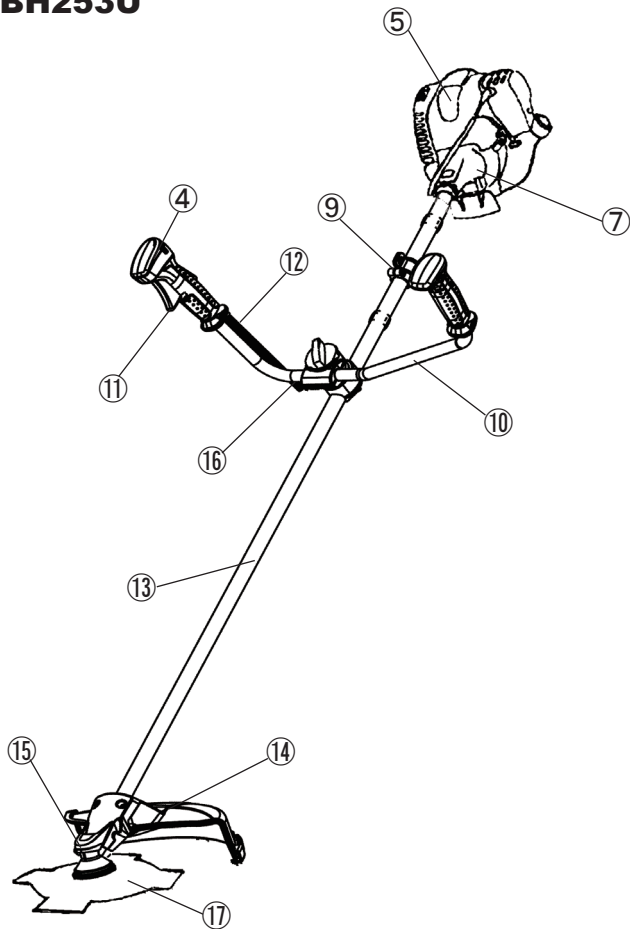
Модель		EBH252U		EBH252L	
		Велосипедна ручка		Ручка-дужка	
Габарити: довжина x ширина x висота (без ріжучої пластини) мм		1770 x 620 x 490		1770 x 330 x 275	
Маса (без пластикового захисного щитка та ріжучої пластини) кг		5,7		5,3	
Об'єм (паливного баку)		л		0,5	
Об'єм (баку для мастила)		л		0,08	
Робочий об'єм циліндра двигуна		см <sup>3</sup>		24,5	
Максимальна продуктивність двигуна		кВт		0,71 за 7000 хв <sup>-1</sup>	
Швидкість двигуна при рекомендованій максимальній швидкості шпинделя		хв <sup>-1</sup>		8500	
Максимальна швидкість шпинделя (відповідно)		хв <sup>-1</sup>		6500	
Максимальна витрата палива		кг/год.		0,33	
Максимальна спеціальна витрата палива		г/кВтгод.		408	
Швидкість холостого ходу		хв <sup>-1</sup>		3000	
Карбюратор		тип		WALBRO WYL	
Система запалювання		тип		Запалювання в стані спокою	
Свіча запалювання		тип		NGK CMR4A	
Відстань між електродами		мм		0,7 - 0,8	
Вібрація згідно з ISO 22867	Права ручка (задня ручка)	$a_{hv\ eq}$	м/с <sup>2</sup>	2,5	5,0
		Неточність К	м/с <sup>2</sup>	0,58	1,23
	Ліва ручка (передня ручка)	$a_{hv\ eq}$	м/с <sup>2</sup>	2,9	4,3
		Неточність К	м/с <sup>2</sup>	0,37	0,36
Середній рівень звукового тиску відповідно до ISO 22868		$L_{PA\ eq}$	дБ А	97,1	
		Неточність К	дБ А	2,4	
Середній рівень звукового тиску відповідно до ISO 22868		$L_{WA\ eq}$	дБ А	106,3	
		Неточність К	дБ А	1,2	
Паливний		Автомобільний бензин			
Моторне мастило		Мастило SAE 10W-30 за класифікацією API, клас SF або вище (для 4-тактного двигуна автомобіля)			
Ріжучі інструменти (діаметр ріжучої пластини)		мм		230	
Передатне відношення		14/19			

## ТЕХНІЧНІ ДАНІ EBH253U, EBH253L

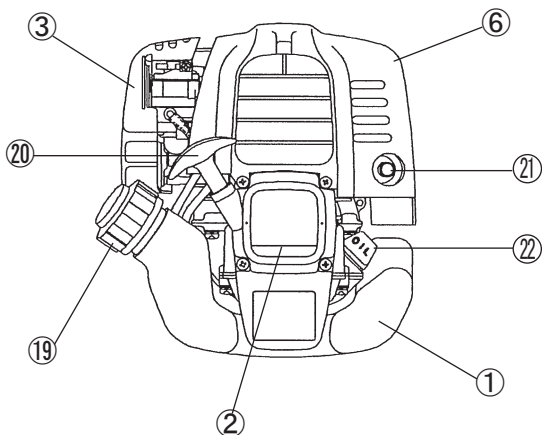
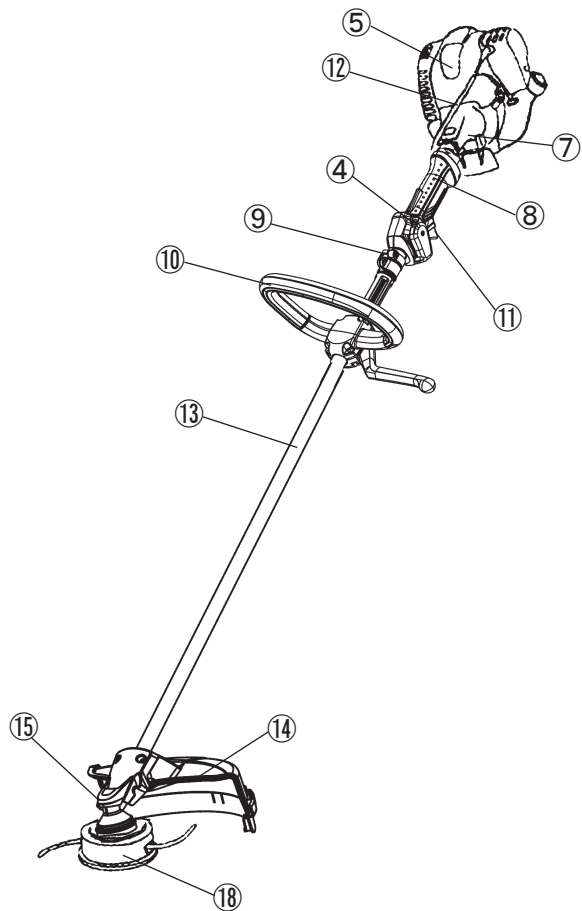
Модель		EBH253U		EBH253L	
		Велосипедна ручка		Ручка-дужка	
Габарити: довжина x ширина x висота (без ріжучої пластини) мм		1770 x 620 x 490		1770 x 330 x 275	
Маса (без пластикового захисного щитка та ріжучої пластини) кг		5,9		5,4	
Об'єм (паливного баку)		л		0,5	
Об'єм (баку для мастила)		л		0,08	
Робочий об'єм циліндра двигуна		см <sup>3</sup>		24,5	
Максимальна продуктивність двигуна		кВт		0,71 за 7000 хв <sup>-1</sup>	
Швидкість двигуна при рекомендованій максимальній швидкості шпинделя		хв <sup>-1</sup>		8500	
Максимальна швидкість шпинделя (відповідно)		хв <sup>-1</sup>		6500	
Максимальна витрата палива		кг/год.		0,33	
Максимальна спеціальна витрата палива		г/кВтгод.		408	
Швидкість холостого ходу		хв <sup>-1</sup>		3000	
Карбюратор		тип		WALBRO WYL	
Система запалювання		тип		Запалювання в стані спокою	
Свіча запалювання		тип		NGK CMR4A	
Відстань між електродами		мм		0,7 - 0,8	
Вібрація згідно з ISO 22867	Права ручка (задня ручка)	$a_{hv\ eq}$	м/с <sup>2</sup>	2,6	5,3
		Неточність К	м/с <sup>2</sup>	0,83	1,22
	Ліва ручка (передня ручка)	$a_{hv\ eq}$	м/с <sup>2</sup>	2,3	4,4
		Неточність К	м/с <sup>2</sup>	0,52	0,21
Середній рівень звукового тиску відповідно до ISO 22868		$L_{PA\ eq}$	дБ А	97,1	
		Неточність К	дБ А	2,4	
Середній рівень звукового тиску відповідно до ISO 22868		$L_{WA\ eq}$	дБ А	106,3	
		Неточність К	дБ А	1,2	
Паливний		Автомобільний бензин			
Моторне мастило		Мастило SAE 10W-30 за класифікацією API, клас SF або вище (для 4-тактного двигуна автомобіля)			
Ріжучі інструменти (діаметр ріжучої пластини)		мм		230	
Передатне відношення		14/19			

## ПРИЗНАЧЕННЯ ЧАСТИН

**ЕВН252U  
ЕВН253U**



**ЕВН252L  
ЕВН253L**



UA	ПРИЗНАЧЕННЯ ЧАСТИН
1	Паливний бак
2	Стартер
3	Повітряний фільтр
4	Запобіжна кнопка
5	Свіча запалювання
6	Глушитель
7	Корпус муфти зчеплення
8	Задня ручка
9	Хомут
10	Ручка
11	Важіль керування
12	Контрольний кабель
13	Вал
14	Захисний пристрій (захисний щиток ріжучого інструмента)
15	Редуктор/Корпус головки
16	Фіксатор ручки
17	Ріжуча пластина
18	Нейлонова ріжуча головка
19	Кришка заливної горловини
20	Ручка стартера
21	Вихлопна труба
22	Масломір



## МОНТАЖ РУЧКИ

УВАГА: Перед виконанням будь-якої роботи з бензиновим кущорізом завжди зупиняйте двигун та виймайте коннектор зі свічки запалювання.

Завжди вдягайте захисні рукавиці!

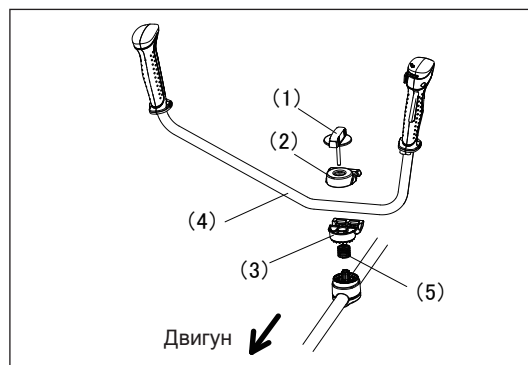
УВАГА: Вмикайте бензиновий кущоріз тільки після того, як його було повністю зібрано.



### Для моделей пристроїв з велосипедною ручкою

- Відпустіть ручку (1).
- Розмістіть ручку (4) між затискачем (2) та фіксатором ручки (3).
- Налаштуйте ручку (4) на такий кут, який забезпечить зручну робочу позицію, потім міцно затягніть ручку (1).

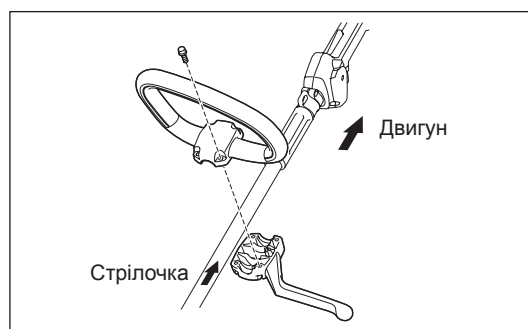
УВАГА: Не забудьте встановити пружину (5).



### Для моделей пристроїв з ручкою-дужкою

- Зафіксуйте захисний обмежувач з лівого боку пристрою разом з ручкою для захисту оператора.
- Переконайтеся що, вузол ручки/обмежувача встановлений між розпірною вставкою та стрілочкою.

УВАГА: Не знімайте та не стискайте розпірну вставку. Розпірна вставка забезпечує певну відстань між обома руками. Установлення вузла ручки/обмежувача на відстані до іншої ручки, яка є меншою за довжину розпірної вставки, може призвести до втрати контролю та до серйозних травм.



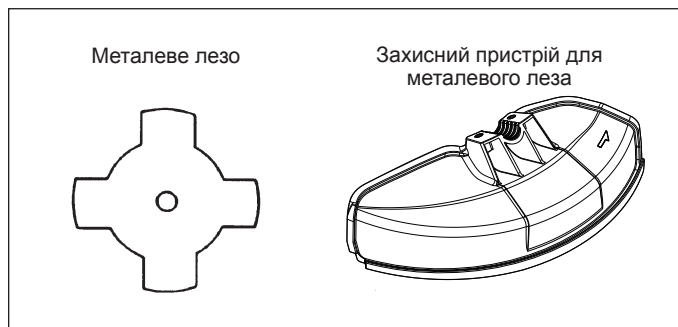
## МОНТАЖ ПРОТЕКТОРА

Для дотримання відповідних мір безпеки слід використовувати тільки вказані комбінації інструменту/захисного пристрою.

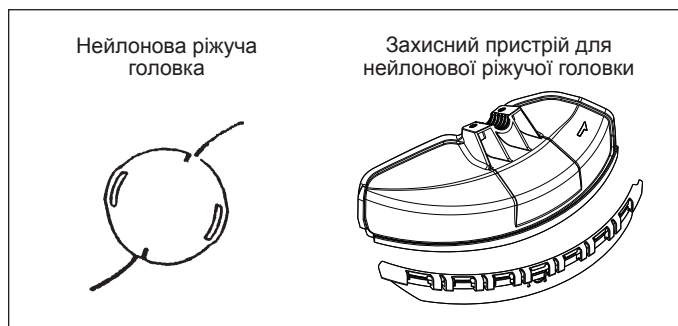


### Переконайтеся, що Ви використовуєте оригінальні ріжучі пластини МАКІТА або нейлонову ріжучу головку.

- Ріжуча пластина має бути заточеною, на ній не повинно бути тріщин чи ушкоджень. Якщо під час роботи ріжуча пластина натрапить на камінь, зупиніть двигун та негайно перевірте пластину.
- Заточуйте або замінійте ріжучу пластину кожні три години роботи.
- Якщо під час роботи нейлонова ріжуча головка натрапить на камінь, зупиніть двигун та негайно перевірте її.

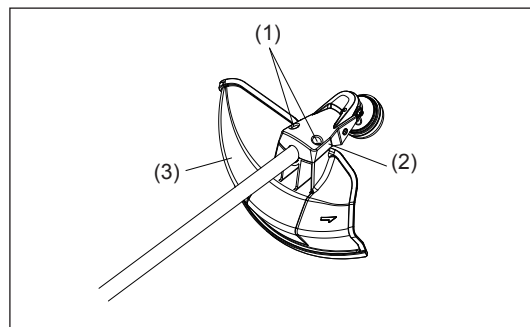


**УВАГА:** Задля Вашої безпеки та згідно з нормами техніки безпеки слід завжди встановлювати відповідний захисний пристрій. Забороняється використовувати пристрій без захисного щитка. Зовнішній діаметр ріжучої пластини повинен дорівнювати 230 мм (9-1/16"). Ніколи не використовуйте ріжучі пластини, зовнішній діаметр яких перевищує 230 мм (9-1/16").

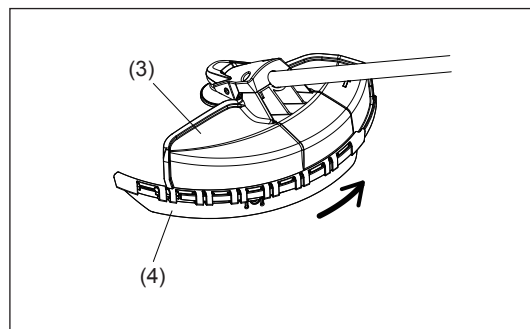


- Використовуючи металеве лезо, закріпіть захисний пристрій (3) до затискача (2) за допомогою двох болтів М6 x 30 (1).

**ПРИМІТКА:** Затягніть лівий та правий болт рівномірно, щоб зазор між затискачем (2) та захисним пристроєм (3) був однаковим. Інакше в деяких випадках захисний пристрій не зможе функціонувати належним чином.

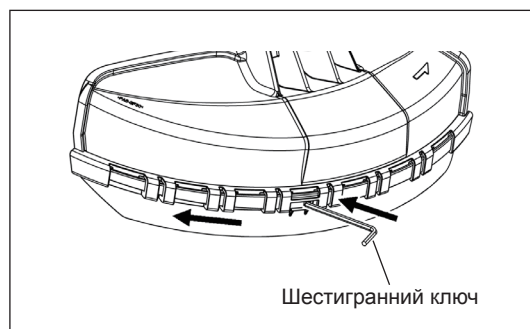


- Якщо використовується нейлоновий шнур, переконайтеся, що на захисний пристрій металевого леза (3) встановлено захисний пристрій нейлонового шнура (4).
- Здійсніть монтаж захисного пристрою нейлонового шнура (4), встановлюючи його на місце з торця захисного пристрою металевого леза (3), як показано на малюнку.
- На захисному пристрої ножа нейлонового шнура (4) зніміть плівку, наклеєну на лезо, що ріже нейлоновий шнур.



**УВАГА:** Переконайтеся, що Ви повністю вставили захисний пристрій нейлонового шнура (4). Будьте уважні та не пораньтеся через ніж для різання нейлонового шнура.

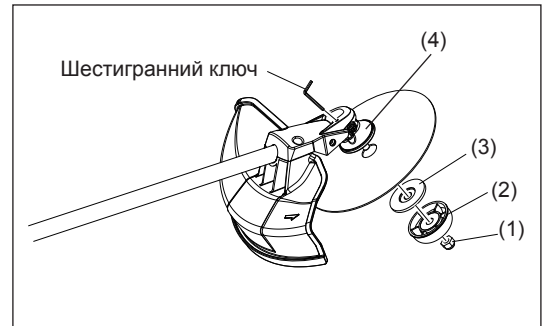
- Щоб зняти захисний пристрій нейлонового шнура (4), за допомогою шестигранного ключа натисніть на проріз на захисному пристрої металевого леза (3) та при цьому зсуньте захисний пристрій нейлонового шнура (4).



## МОНТАЖ РІЖУЧОЇ ПЛАСТИНИ АБО НЕЙЛОНОВОЇ РІЖУЧОЇ ГОЛОВКИ

Переверніть пристрій, і Ви зможете легко замінити ріжучу пластину або нейлонову ріжучу головку.

- Вставте шестигранний ключ в отвір редуктора та поверніть шайбу прийомного пристрою (4), доки вона не буде зафіксована.
- Послабте гайку (1) (ліва різьба) торцевим гайковим ключем та зніміть гайку (1), ковпачок (2) та шайбу затискача (3).

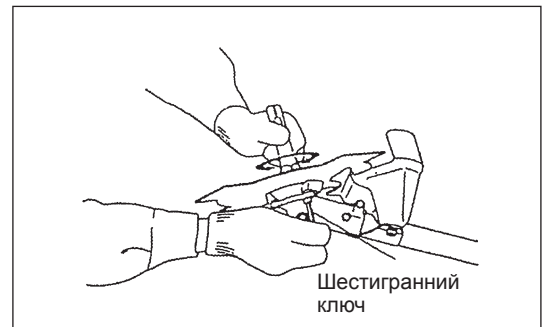


### Монтаж ріжучої пластини з шестигранним ключем на місці

- Встановіть ріжучу пластину на вал, щоб зафіксувати напрямний пристрій шайби прийомного пристрою (4) в отворі затискного патрона ріжучої пластини. Встановіть шайбу затискача (3) і ковпачок (2) та зафіксуйте ріжучу пластину гайкою (1).
- [Крутний момент затягування: 13 - 23 Н-м]

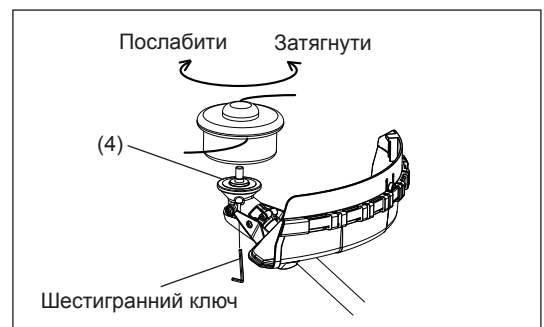
ПРИМІТКА: Під час роботи з ріжучою пластиною вдягайте рукавиці.

ПРИМІТКА: Гайка, що затягує ріжучу пластину (з пружинною шайбою) є розхідним матеріалом. При появі будь-яких ознак зношування чи деформації пружинної шайби замініть гайку.



### Монтаж нейлонової ріжучої головки

- При монтажі нейлонової ріжучої головки шайбу затискача (3), ковпачок (2) та гайку (1) встановлювати не потрібно. Нейлонову ріжучу головку слід встановлювати поверх шайби прийомного пристрою (4).
- Вставте шестигранний ключ в отвір редуктора та поверніть шайбу прийомного пристрою (4), доки вона не буде зафіксована.
- Потім прикрутіть нейлонову ріжучу головку до валу, повертаючи її проти годинникової стрілки.
- Зніміть шестигранний ключ.



- Переконайтеся, що лезо направлено лівою стороною угору.



## ПЕРЕД ПОЧАТКОМ РОБОТИ

### Перевірка та додавання моторного мастила

- Коли двигун знаходиться в холодному стані, здійсніть наступну процедуру.
- Утримуючи двигун в горизонтальному положенні, зніміть масломір та переконайтеся, що рівень мастила знаходиться між максимальною та мінімальною позначкою.  
Коли мастила недостатньо та масломір торкається його тільки верхівкою, додайте мастила біля отвору (мал. 2), залишаючи масломір в картері двигуна (мал. 1).
- Для довідки, мастило слід доливати приблизно через 10 годин (10 разів або 10 баків).  
Якщо мастило змінило колір або змішалось з брудом, замініть його на нове. (Для отримання інформації щодо інтервалу та способу заміни див. стор. 42)

**Рекомендоване мастило:** SAE 10W-30 за класифікацією API, клас SF або вище (для 4-тактного двигуна автомобіля)

**Об'єм мастила:** Приблизно 0,08 л

Примітка: Якщо двигун не тримати прямо, мастило може заповнити його, що в свою чергу призведе до надмірного наповнення двигуна. Якщо мастила залити більше за норму, воно може забруднитися або зайнятися з виділенням білого диму.

#### Вказівка 1 щодо заміни мастила: “Масломір”

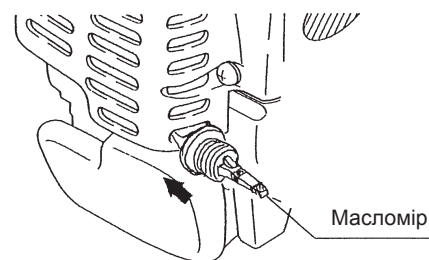
- Видаліть пил та бруд біля отвору для заливання мастила та від'єднайте масломір.
- Не допускайте контакту від'єданого масломіра з піском або пилом. У протилежному випадку пісок або пил, що налипають на масломір, можуть викликати неналежну циркуляцію мастила або зношення частин двигуна, що призведе до несправностей.
- Як спосіб запобігати засміченню масломіра ми рекомендуємо вставити масломір стороною рукоятки в корпус двигуна, як показано на мал. 3.



Мал. 1

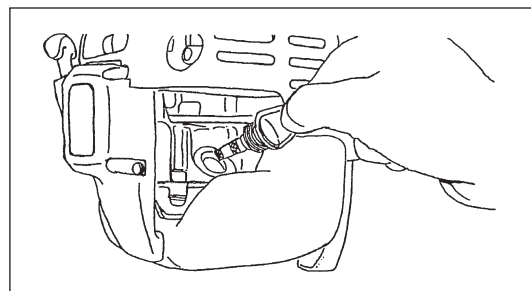


Мал. 2

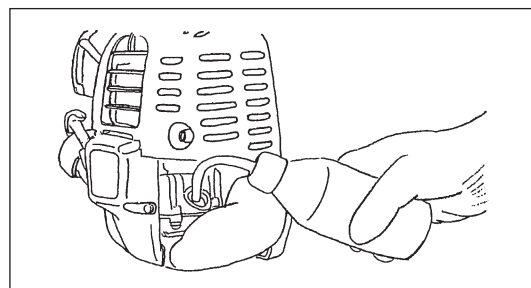


Мал. 3

(1) Утримуючи двигун у горизонтальному положенні, від'єднайте масломір.



(2) Налийте мастило до краю отвору. (Див. мал. 2 на попередній сторінці). Залийте мастило за допомогою спеціального резервуару.



(3) Надійно затягніть масломір. Якщо затягнути його неналежним чином, це може спричинити витік мастила.

### **Вказівка 2 щодо заміни мастила: “Якщо мастило пролилося”**

- Якщо мастило пролилося між паливним баком та головною частиною двигуна, воно потрапить усередину крізь повітрязабірник охолоджуючого повітря та засмітить двигун. Переконайтеся, що до початку роботи Ви витерли все мастило, що розлилося.

## **ДОЗАПРАВЛЕННЯ**

### **Поводження з паливом**

Необхідно обережно поводитися з паливом. Паливо може вміщати речовини подібні розчинникам. Дозаправлення слід проводити в провітрюваному приміщенні або на відкритому повітрі. Ніколи не вдихайте випаровування палива, тримайтеся від палива подалі. Якщо паливо постійно входить в контакт зі шкірою, шкіра стає сухою, це може спричинити шкірну хворобу або алергію. Якщо паливо потрапило Вам у очі, промийте їх прісною водою. Якщо подразнення очей все ще залишається, зверніться до лікаря.

### **Тривалість зберігання палива**

Паливо слід використовувати впродовж 4 тижнів, навіть якщо воно зберігається в спеціальному контейнері в добре вентильованому темному місці.

Якщо не використовується спеціальний контейнер, або якщо він не накритий, паливо може зіпсуватися за один день.

### **ЗБЕРІГАННЯ ПРИСТРОЮ ТА ПАЛИВНОГО БАКУ**

- Тримайте пристрій та бак в прохолодному темному приміщенні.
- Ніколи не зберігайте паливо в кабіні або в багажнику автомобіля.

## **Паливний**

Двигун є чотиритактним. Переконайтеся, що Ви використовуєте автомобільний бензин (стандартної якості або високосортний).

### **Вказівки щодо палива**

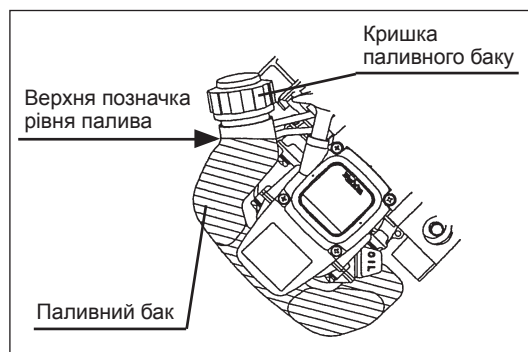
- Ніколи не використовуйте бензинову суміш, яка містить моторне мастило. В протилежному випадку це призведе до надмірного накопичування вуглецю або до механічних несправностей.
- Використання відпрацьованого мастила призведе до неналежного запуску.

## **Дозаправлення**

### **УВАГА: ЗАЙМИСТІ РЕЧОВИНИ СУВОРО ЗАБОРОНЕНІ**

**Бензин, що використовується:** Автомобільний бензин (неетильований бензин)

- Злегка послабте кришку паливного баку, щоб вирівняти тиск з атмосферним.
  - Від'єднайте кришку паливного баку, залийте паливо, повітря випускайте, нахиливши бак таким чином, щоб отвір був направлений угору. (Ніколи не заливайте паливо до рівня отвору для заливання мастила.)
  - Належним чином витріть край кришки, щоб запобігти потраплянню сторонніх предметів в паливний бак.
  - Після дозаправлення надійно затягніть кришку баку.
- Якщо кришка пошкоджена або пропускає паливо, замініть її.
  - Кришка баку є розхідним матеріалом, тому її слід замінювати кожні два-три роки.



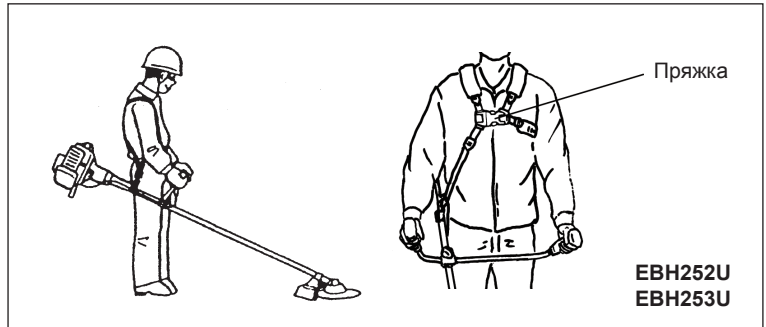
## НАЛЕЖНЕ ПОВОДЖЕННЯ З ПРИСТРОЄМ

### Приєднання плечевого ремня

- Налаштуйте довжину ремня, щоб ріжуча пластина була розташована паралельно землі.

### Для EBH252U, EBH253U

ПРИМІТКА: Будьте обережні, щоб одяг тощо не потрапив до пряжки.

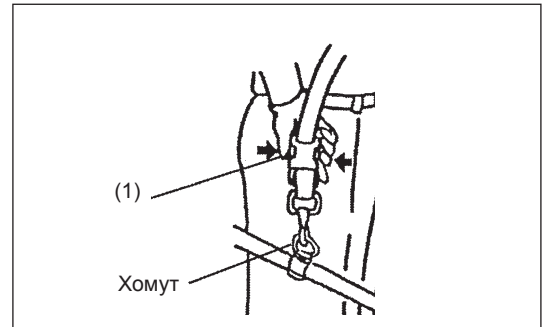


### Від'єднання

#### Для EBH252L, EBH253L

- У непередбаченому випадку натисніть на прорізі (1), розміщені по обидва боки, та від'єднайте пристрій від себе. Будьте надзвичайно обережні, щоб зберегти контроль над пристроєм в цей час. Не дозволяйте приладу відхилитися у Ваш бік або в бік інших осіб поблизу місця роботи.

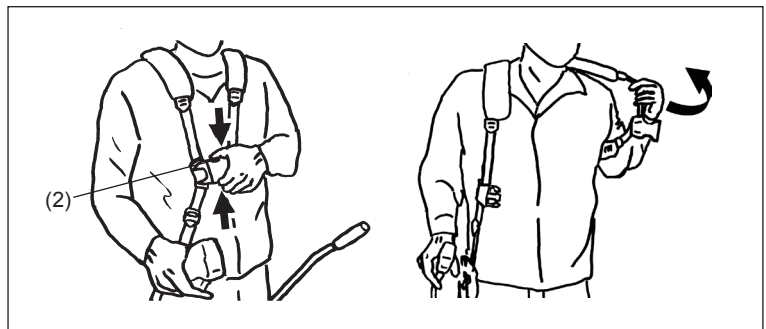
УВАГА: Якщо Ви не можете зберегти контроль над пристроєм, це може призвести до серйозних травм або СМЕРТІ.



#### Для EBH252U, EBH253U

- У непередбаченому випадку натисніть на прорізі (2), розміщені по обидва боки, та від'єднайте пристрій від себе. Будьте надзвичайно обережні, щоб зберегти контроль над пристроєм в цей час. Не дозволяйте приладу відхилитися у Ваш бік або в бік інших осіб поблизу місця роботи.

УВАГА: Якщо Ви не можете зберегти контроль над пристроєм, це може призвести до серйозних травм або СМЕРТІ.



## ВКАЗІВКИ ЩОДО РОБОТИ ТА ПОРЯДКУ ЗУПИНКИ

Дотримуйтесь відповідних правил безпеки!

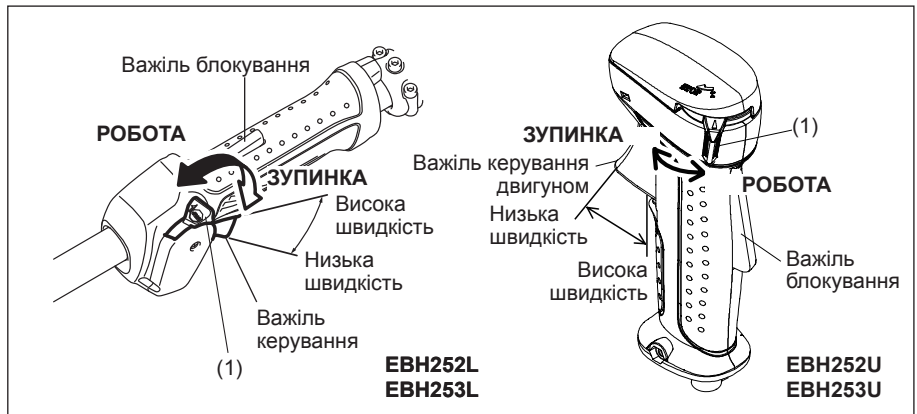


### ЗАПУСК

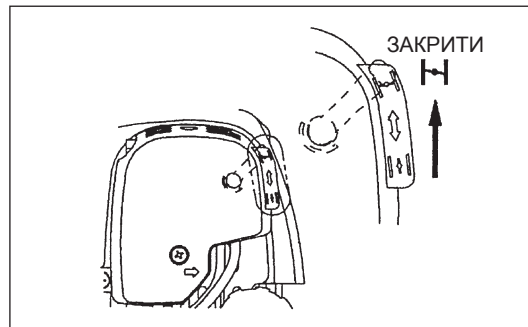
Відійдіть щонайменш на 3 метри від місця заправки. Розташуйте бензиновий кущоріз на чистій ділянці землі, слідкуючи за тим, щоб ріжучий інструмент не торкався землі та інших предметів.

### А: Холодний пуск

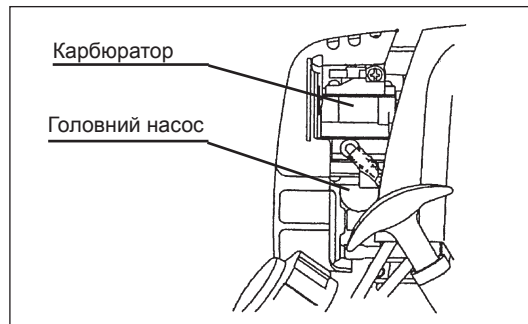
- 1) Встановіть пристрій на плоскій поверхні.



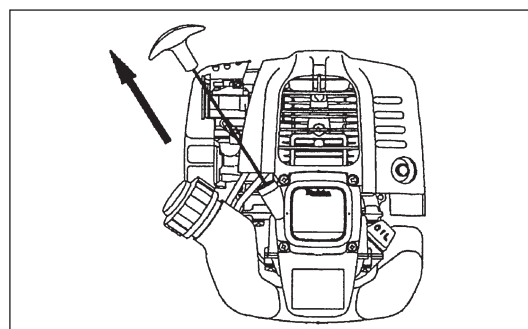
- 2) Встановіть запобіжну кнопку (1) на OPERATION (робота).
- 3) Важіль регулювання холостого ходу  
Закрийте важіль регулювання холостого ходу.  
Щоб відкрити важіль:
  - Повне закриття в холодному стані або при холодному двигуні.
  - Повне або часткове відкриття при перезапуску одразу після закінчення роботи.



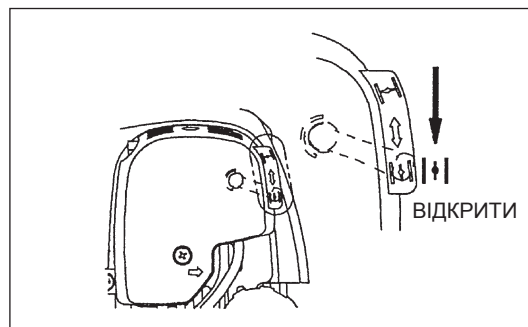
- 4) Головний насос  
Продовжуйте натискати на головний насос, доки паливо не потрапить до нього. (зазвичай паливо потрапляє до головного насосу після 7 - 10 натискань.)  
Якщо надмірно натиснути на головний насос, зайве паливо повертається до паливного баку.



- 5) Ручний стартер  
Обережно потягніть за ручку стартера, доки тягнути не стане важко (момент компресії). Потім поверніть ручку стартера у вихідну позицію та потягніть її сильно.  
Ніколи не витягайте трос повністю. Коли Ви потягнули за ручку стартера, ніколи не відпускайте її одразу. Утримуйте ручку стартера, доки вона не повернеться у вихідну позицію.



- 6) Важіль дроселювання  
Коли двигун запустився, відкрийте важіль дроселювання.
  - Поступово відкрийте важіль дроселювання, перевіряючи роботу двигуна. Переконайтеся, що Ви в кінці повністю відкрили важіль дроселювання.
  - В холодному стані або при холодному двигуні ніколи не відкривайте важіль дроселювання раптово. В протилежному випадку двигун може зупинитись.



- 7) Процес прогріву  
Продовжуйте прогрів протягом 2 - 3 хвилин.

Примітка: – Якщо неодноразово потягнути ручку стартера, коли важіль дроселювання залишається в положенні “ЗАКРИТИ”, двигун не запуститься одразу через надмірну подачу палива.  
– У випадку надмірної подачі палива видаліть свічку запалювання та повільно потягніть ручку стартера, щоб видалити зайве паливо. Також висушіть електрод свічки запалювання.

### Міри безпеки під час роботи:

Якщо важіль керування двигуном повністю відкрито при роботі на холостому ходу, кількість обертів двигуна зростає до 10000 хв<sup>-1</sup> та більше. Забороняється робота з двигуном на швидкості вище потрібної, яка дорівнює 6000 - 8500 хв<sup>-1</sup>.

## В: Запуск після прогріву

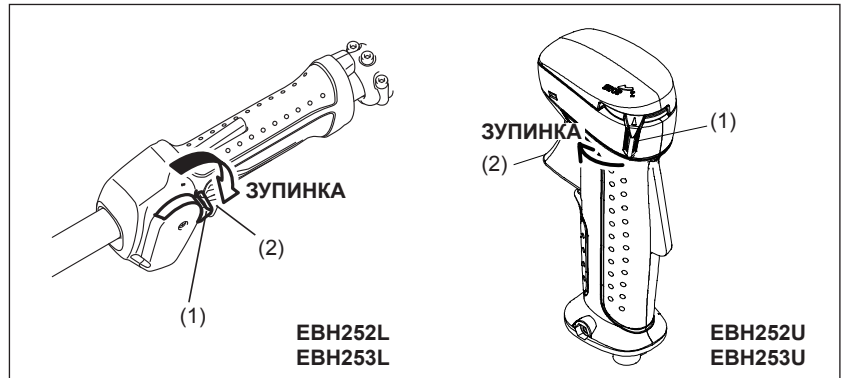
- 1) Неодноразово натисніть на головний насос.
- 2) Утримуйте важіль керування двигуном в положенні простою.
- 3) З силою потягніть за ручний стартер.
- 4) Якщо запустити двигун виявляється важко, відкрийте дросель на 1/3. Зверніть увагу на ріжучу пластину, яка може обертатися.

### Під час роботи будьте уважні

Якщо користуватися двигуном, перевернувши його верхньою частиною вниз, з глушителя може піти білий дим.

## ЗУПИНКА

- 1) Повністю відпустіть важіль керування двигуном (2) та, коли знизиться кількість обертів двигуна на хвилину, встановіть перемикач входу/виходу в положення "ЗУПИНКА", після чого двигун зупиниться.
- 2) Зверніть увагу, що ріжуча головка може не зупинитися одразу, отже дозвольте їй повністю зупинитися.

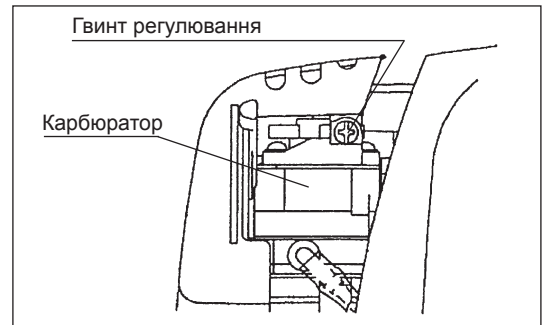


## НАЛАШТУВАННЯ ОБЕРТАННЯ ДВИГУНА НА НИЗЬКІЙ ШВИДКОСТІ (ХОЛОСТИЙ ХІД)

Якщо необхідно налаштувати обертання двигуна на низьку швидкість (холостий хід), це можна зробити за допомогою регульовального гвинта карбюратора.

## ПЕРЕВІРКА ОБЕРТАННЯ ДВИГУНА НА НИЗЬКІЙ ШВИДКОСТІ

- Встановіть кількість обертів на малій швидкості на  $3000 \text{ хв}^{-1}$ . У разі необхідності змініть швидкість обертання регульовальним гвинтом (зображений справа) за допомогою хрестоподібної викрутки.
- Якщо Ви обертаєте регульовальний гвинт направо, то частота обертів двигуна зростає. Якщо Ви обертаєте регульовальний гвинт наліво, то частота обертання двигуна зменшується.
- Перед перевезенням карбюратор зазвичай підлягає налаштуванню. Якщо потрібне його переналаштування, зверніться до співробітника авторизованої станції технічного обслуговування.



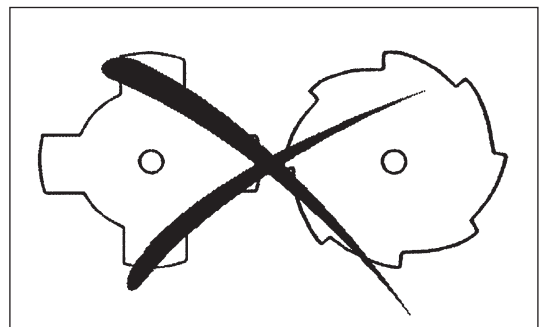
## ЗАТОЧУВАННЯ РІЖУЧОГО ІНСТРУМЕНТУ



УВАГА: Наведені нижче ріжучі інструменти слід заточувати тільки на авторизованому обладнанні. Ручне заточування призведе до розбалансування ріжучого інструменту, вібрації та пошкодження обладнання.

- ріжуча пластина  
Співробітники авторизованої станції технічного обслуговування нададуть Вам кваліфіковані послуги з заточування та балансування.

ПРИМІТКА: Щоб подовжити строк служби ріжучої пластини, її можна один раз перевернути, доки не затупляться обидві ріжучі кромки.





## НЕЙЛОНОВА РІЖУЧА ГОЛОВКА

Нейлонова ріжуча головка - це підвійна головка кордової газонокосарки, конструкція якої оснащена як автоматичним механізмом, так і механізмом випускання шнура за рахунок удару.

Нейлонова ріжуча головка автоматично висуває нейлоновий шнур на потрібну довжину відповідно змінам відцентрової сили, зумовленої збільшенням або зменшенням кількості обертів на хвилину. Разом з тим, щоб ефективно стригти м'яку траву, вдарте нейлонову ріжучу головку об землю, щоб висунути нейлоновий шнур на додаткову довжину, як показано в розділі "Експлуатація".

### Робота

- Збільште швидкість нейлонової ріжучої головки приблизно до 6000 хв<sup>-1</sup>. Низька швидкість (менше 4800 хв<sup>-1</sup>) не підходить, нейлоновий шнур не висунеться достатньо на низькій швидкості.
- Сектор, найбільш ефективний для різання, показаний затемненою ділянкою.

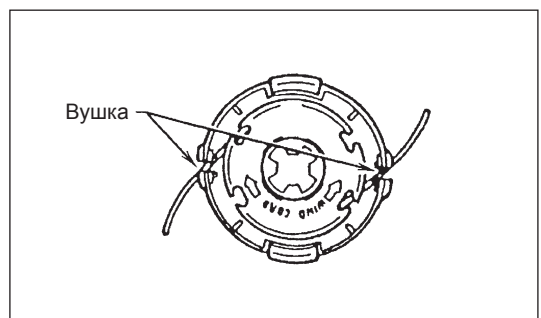
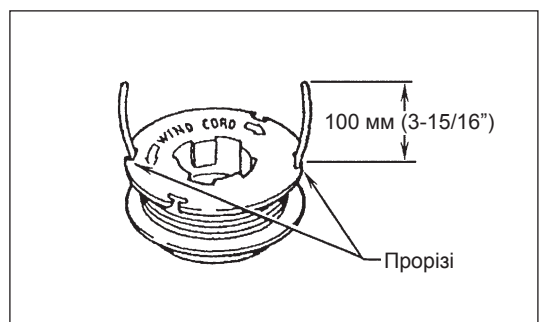
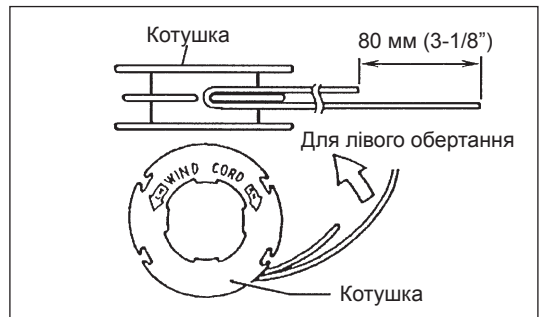
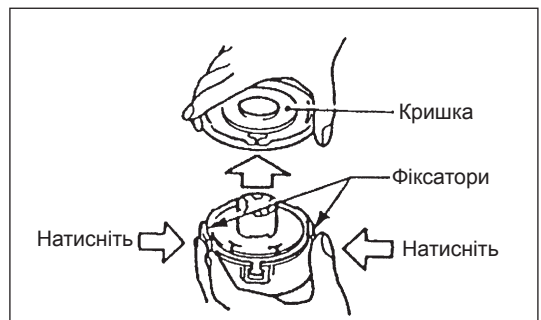
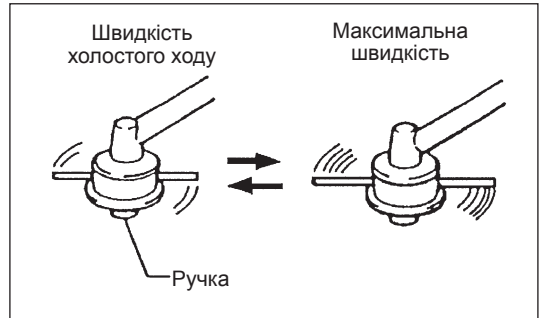
Якщо нейлоновий шнур не висувається автоматично, зробіть наступне:

1. Відпустіть важіль керування двигуном, щоб перевести двигун на холостий хід, після чого повністю стисніть його. Повторюйте цю процедуру, доки нейлоновий шнур не висунеться на потрібну довжину.
2. Якщо нейлоновий шнур надто короткий та не може висунути автоматично, як описано вище, вдарте ручку нейлонової ріжучої головки об землю, щоб висунути нейлоновий шнур.
3. Якщо нейлоновий шнур не висувається процедурою 2, згорніть та замініть його так, як описано нижче в розділі "Заміна нейлонового шнура".

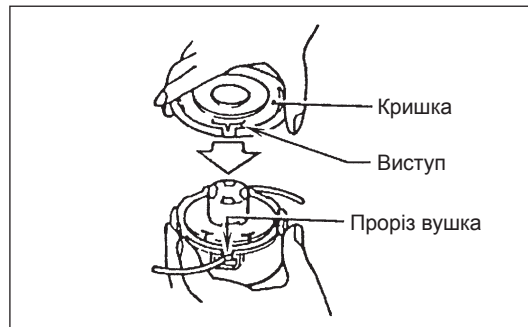
### Заміна нейлонового шнура

- Спершу зупиніть двигун.
- Натисніть на фіксатори корпусу, щоб підняти кришку, та витягніть котушку.
- Просмикніть середню частину нового нейлонового шнура у формі петлі у проріз в центрі котушки таким чином, щоб один кінець шнура був приблизно на 80 мм (3-1/8") довшим за інший. Потім щільно намотайте обидва кінці шнура на котушку у напрямку обертання головки (напрямок вліво позначено на боці котушки як LH, а напрямок вправо – як RH).
- Не намотуйте приблизно 100 мм (3-15/16") обох шнурів, просмикнувши кінці крізь прорізи з боків котушки та тимчасово залишивши їх в такому положенні.

- Встановіть котушку у корпус таким чином, щоб пази та виступи котушки відповідали пазам та виступам корпусу. Бік котушки з нанесеними літерами має бути зверху. Тепер виведіть кінці шнура з їх тимчасового положення та просуньте у вушка таким чином, щоб вони виступали з корпусу.



- Розташуйте виступи, що знаходяться з нижнього боку кришки, на одній лінії з прорізами вушок. Потім міцно натиснувши на кришку, закріпіть її на корпусі.



## ВКАЗІВКИ ЩОДО ТЕХНІЧНОГО ОБСЛУГОВУВАННЯ

**УВАГА:** Перед виконанням будь-яких робіт із бензиновим кушорізом слід вимкнути двигун та зняти ковпачок заглушки свічки запалювання (див. "Перевірка свічки запалювання"). Завжди вдягайте захисні рукавиці!

Для забезпечення довгого строку служби та для запобігання пошкодження обладнання слід регулярно проводити наступне обслуговування.

### Щодня здійснюйте технічний огляд та технічне обслуговування пристрою

- Перед початком роботи перевіряйте, чи всі гвинти пристрою затягнуті належним чином, а також чи присутні всі деталі. Звертайте особливу увагу на міцність закріплення ріжучої пластини або нейлової ріжучої головки.
- Перед початком роботи завжди перевіряйте, чи не закупорені ребра циліндру та повітрязабірник охолоджуючого повітря. За необхідністю чистьте їх.
- Щодня після роботи з приладом здійснюйте наступне:
  - Чистьте бензиновий кушоріз ззовні та перевіряйте пристрій на предмет пошкоджень.
  - Чистьте повітряний фільтр. Якщо Ви працюєте в надзвичайно пильному середовищі, чистьте фільтр декілька разів на день.
  - Перевіряйте ріжучу пластину або нейловою ріжучу головку на предмет пошкоджень та задля того, щоб переконатися, що ці деталі надійно закріплені.
  - Перевіряйте, щоб між швидкістю холостого ходу та робочою швидкістю була суттєва різниця, щоб забезпечити нерухомість ріжучого інструменту під час роботи двигуна на холостому ходу (за необхідністю зменште швидкість холостого ходу). Якщо на холостому ходу ріжучий інструмент все ще продовжує рухатись, зверніться до співробітника найближчої авторизованої станції технічного обслуговування.
- Перевіряйте функціонування запобіжної кнопки, важеля акселератора, рукоятки керування та кнопки блокування.

### ЗАМІНА МОТОРНОГО МАСТИЛА

Використання відпрацьованого мастила призведе до значного скорочування строку служби частин, що ковзають та обертаються. Перевіряйте строк заміни мастила та його кількість.



**УВАГА:** Після зупинки двигуна його головна частина та моторне мастило зазвичай залишаються гарячими. Під час заміни мастила переконайтеся, що температура головної частини двигуна та моторного мастила значно знизилася. У протилежному випадку є небезпека опіку.

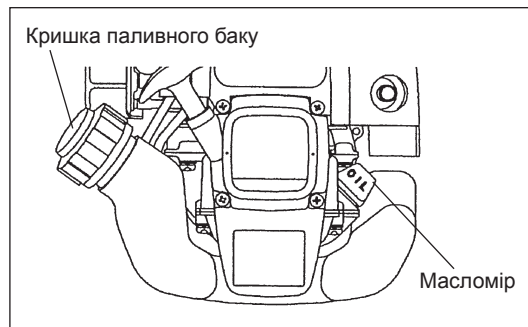
**Примітка:** Якщо мастила залити більше за норму, воно може забруднитися або зайнятися з виділенням білого диму.

**Строк заміни мастила:** спочатку - кожні 20 годин роботи, потім - кожні 50 годин роботи

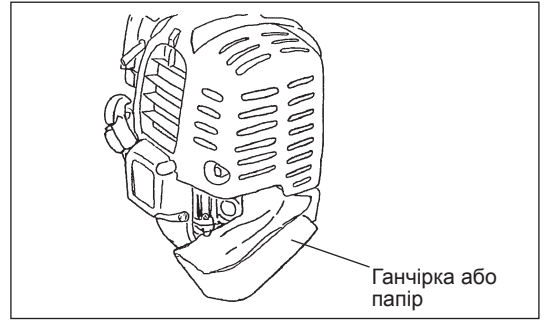
**Рекомендоване мастило:** SAE10W-30 за класифікацією API, клас SF або вище (для 4-тактного двигуна автомобіля)

Під час заміни здійсніть наступне.

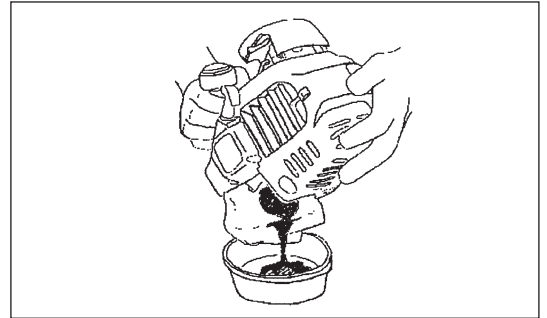
- 1) Переконайтеся, що кришка паливного баку надійно затягнута.
- 2) Від'єднайте масломір. Не допускайте контакту пилу чи бруду з масломіром.



3) Розташуйте ганчірку або папір біля отвору для заливання мастила.

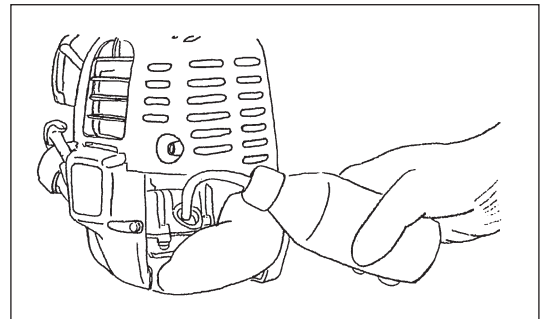


4) Від'єднайте масломір, злийте мастило, нахиливши головну частину пристрою у бік отвору для заливання мастила. Зливайте мастило в ємність, придатну для його утилізації.



5) Утримуючи двигун у горизонтальному положенні, залийте нове мастило до краю отвору. Замінійте мастило за допомогою спеціального резервуару.

6) Після заміни мастила надійно затягніть масломір. Якщо затягнути його неналежним чином, це може спричинити витік мастила.



### ВКАЗІВКИ ЩОДО МАСТИЛА

- Ніколи не викидайте відпрацьоване моторне мастило разом із сміттям, не зливайте його в ґрунт або в канал стічних вод. Утилізація мастила регулюється законодавством. Під час утилізації дотримуйтесь чинних правових норм та розпоряджень. Якщо у Вас виникли питання, звертайтеся до співробітника авторизованої станції технічного обслуговування.
- Мастило стане непридатним, навіть якщо його не використовувати. Регулярно перевіряйте та замінійте мастило (заливайте нове мастило кожні 6 місяців).

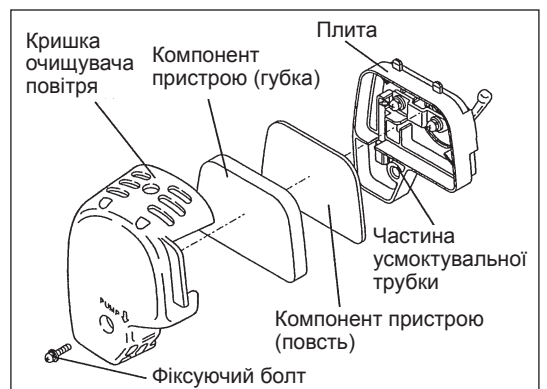
### ЧИЩЕННЯ ОЧИЩУВАЧА ПОВІТРЯ



#### ЗАГРОЗА: ЗАЙМИСТІ РЕЧОВИНИ СУВОРО ЗАБОРОНЕНІ

Строки чищення та огляду: Щодня (після кожних 10 годин роботи)

- Повністю поверніть важіль регулювання холостого ходу в сторону закриття, тримайте карбюратор подалі від пилу та бруду.
- Відкрутіть болти, що фіксують кришку повітряного фільтра.
- Зніміть кришку повітряного фільтра, потягнувши за її нижню частину.
- Якщо мастило налипає на компонент пристрою (губку), міцно викрутіть його.
- У випадку сильного забруднення:
  - 1) Зніміть компонент пристрою (губку), занурте його в теплу воду або у водорозчинний нейтральний детергент, після чого повністю висушіть його.
  - 2) Очистіть компонент пристрою (повсть) бензином, після чого повністю висушіть його.
- Перед тим, як встановити компонент, переконайтеся, що він повністю сухий. Недостатня просушка компоненту пристрою може призвести до важкого запуску.
- Витріть ганчіркою мастило, що налипнуло навколо кришки повітряного фільтра та усмоктувальної трубки плити.
- Одразу після чищення встановіть кришку очищувача та затягніть її фіксуючими болтами. (при цьому спочатку встановлюйте верхній виступ, а потім нижній.)



#### Вказівки щодо поведінки з очищувачем повітря

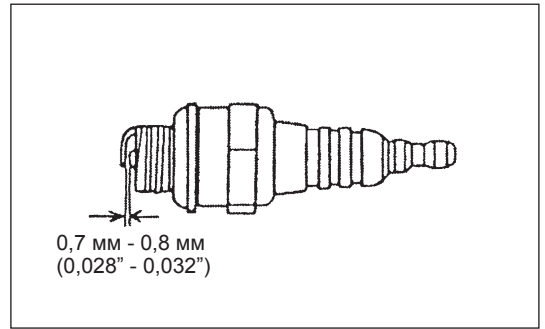
- Чистьте цей компонент пристрою декілька разів на день, якщо на нього налипає забагато пилу.
- Якщо продовжити роботу з компонентом пристрою, не очищеним від мастила, то мастило в очищувачі повітря може випасти назовні та спричинити забруднення.



## ПЕРЕВІРКА СВІЧКИ ЗАПАЛЕННЯ

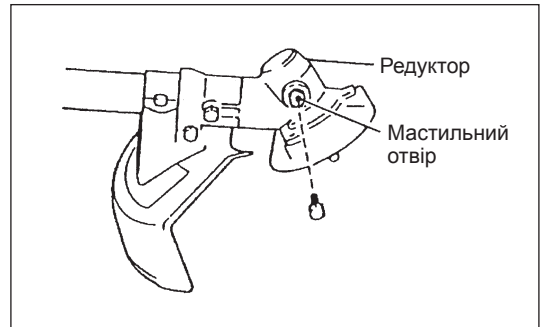
- Для видалення або встановлення свічки запалювання використовуйте тільки універсальний ключ, який входить до комплекту.
- Зазор між двома електродами свічки запалювання повинен складати 0,7 - 0,8 мм (0,028" - 0,032"). Якщо зазор занадто великий чи занадто малий, налаштуйте його. Якщо свічка запалювання засмічена чи забруднена, ретельно прочистіть її або замініть.

УВАГА: Ніколи не торкайтеся коннектора свічки запалювання під час роботи двигуна (небезпека ураження струмом високої напруги).



## ПОСТАЧАННЯ КОНСИСТЕНТНОГО МАСТИЛА НА РЕДУКТОР

- Подавайте консистентне мастило (Shell Alvania 2 або еквівалент) на редуктор через мастильний отвір кожні 30 годин. (Оригінальне консистентне мастило MAKITA Ви можете придбати у дилера компанії MAKITA.)



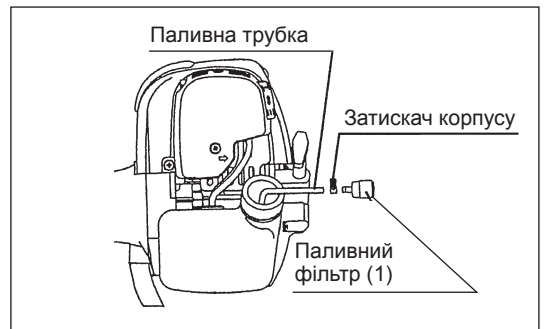
## ЧИЩЕННЯ ПАЛИВНОГО ФІЛЬТРУ

### УВАГА: ЗАЙМИСТІ РЕЧОВИНИ СУВОРО ЗАБОРОНЕНІ

Строки чистення та огляду: Щомісяця (кожні 50 годин роботи)

### Усмоктувальна головка в паливному баку

- Паливний фільтр (1) усмоктувальної головки використовується для фільтрації палива, необхідного для карбюратора.
- Слід проводити регулярний візуальний огляд паливного фільтра. Для цього відкрийте кришку баку та за допомогою гачка з дроту витягніть усмоктувальну головку через отвір у баку. Якщо виявилось, що фільтрація ускладнилася, то фільтри забруднені або засмічені, отже їх слід замінити.
- Недостатнє постачання палива може призвести до перевищення максимально припустимої швидкості. Тому дуже важливо замінити паливний фільтр щонайменше один раз на три місяці, щоб забезпечити задовільне постачання палива до карбюратора.



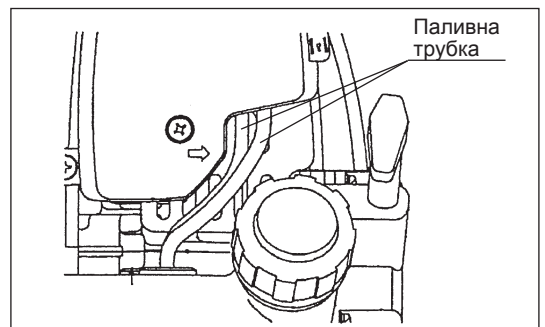
## ЗАМІНА ПАЛИВНОЇ ТРУБКИ

### УВАГА: ЗАЙМИСТІ РЕЧОВИНИ СУВОРО ЗАБОРОНЕНІ

Строки чистення та огляду: Щодня (після кожних 10 годин роботи)

Заміна: Щороку (кожні 200 годин роботи)

Замініть паливну трубку щороку незалежно від частоти використання пристрою. Витік палива може призвести до пожежі. Якщо під час перевірки Ви помітили витік палива, негайно замініть паливну трубку.



## ПЕРЕВІРКА БОЛТІВ, ГВИНТІВ ТА ГАЙОК

- Затягніть незакріплені болти, гайки та ін.
- Перевірте пристрій на предмет витоку мастила чи палива.
- Для безпечної роботи замініть пошкоджені деталі на нові.

## ЧИЩЕННЯ ДЕТАЛЕЙ

- Завжди тримайте двигун в чистоті.
- Не допускайте контакту пилу чи бруду з ребрами циліндра. Пил чи бруд, що налипають на ребра, призведуть до стопоріння поршня.

## ЗАМІНА САЛЬНИКІВ ТА ГЕРМЕТИЗУЮЧОГО МАТЕРІАЛУ

Під час повторного монтажу двигуна переконайтеся, що всі сальники та герметизуючі матеріали замінені на нові.

Будь-яке технічне обслуговування та роботи з налаштування, не включені до цієї інструкції та не описані в ній, повинні виконуватися тільки співробітниками авторизованої станції технічного обслуговування.

## ЗБЕРІГАННЯ

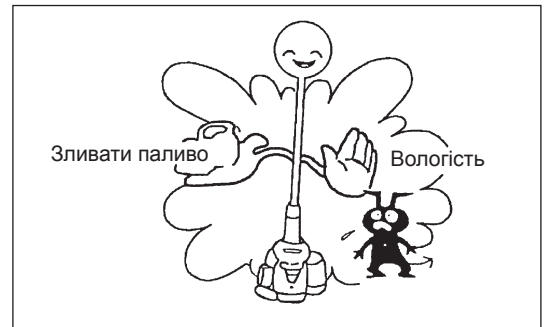


**УВАГА: Коли Ви заливаєте паливо, переконайтеся, що двигун зупинено та він охолонув.**  
Одразу після зупинки двигуна все ще є небезпека опіків, займання та пожежі.



**УВАГА: Якщо Ви не користуєтесь пристроєм довгий час, злийте все паливо з паливного баку та карбюратора і зберігайте пристрій в сухому чистому місці.**

- Злийте паливо з паливного баку та карбюратора відповідно зазначеній процедури:
  - 1) Зніміть кришку паливного баку та повністю злийте паливо.  
Якщо в паливному баку залишається стороння речовина, видаліть її повністю.
  - 2) За допомогою дроту витягніть паливний фільтр з отвору для заливання палива.
  - 3) Натискайте на головний насос, доки паливо не витече з нього, потім злийте паливо, що потрапляє до паливного баку.
  - 4) Встановіть фільтр в паливний бак та надійно затягніть кришку паливного баку.
  - 5) Після цього продовжуйте роботу двигуна, поки він не зупиниться.
- Видаліть свічку запалювання та залийте декілька крапель моторного мастила крізь отвір свічки запалювання.
- Обережно потягніть за ручку стартера, щоб моторне мастило розтислося по двигуну, потім встановіть свічку запалювання.
- Надягніть кришку на ріжучу пластину.
- Під час зберігання штангу тримайте у горизонтальному положенні або тримайте пристрій вертикально, тоді ріжуча кромка буде направлена вгору. (в такому випадку зверніть особливу увагу на те, щоб пристрій у жодному разі не впав).  
Ніколи не зберігайте пристрій з ріжучою кромкою, направленою вниз.  
Мастило може витекти.
- Злите паливо зберігайте в спеціальному контейнері в добре вентильованому темному місці.



### Після довгого зберігання зверніть увагу

- Перед запуском пристрою після довгого періоду зберігання обов'язково замініть мастило (див. стор. 42). За час зберігання пристрою мастило зіпсується.

### Визначення місця пошкодження

Несправність	Система	Спостереження	Причина
Двигун не запускається або запускається з труднощами	Система запалювання	Іскра запалювання в нормі  Немає іскри запалювання	Несправність системи постачання палива або компресії, механічний дефект  Було натиснуто на пусковий перемикач, несправність проводки або коротке замикання, несправність свічки запалювання або коннектора, несправність блока запалювання
	Постачання палива	Паливний бак заповнено	Невірне положення дроселя, несправність карбюратора, заблоковано або скривлено лінію постачання палива, забруднене паливо
	Компресія	Немає компресії при запуску	Несправність нижнього сальника циліндра, пошкоджено ущільнення колінчатого валу, несправність прокладок циліндра або поршневих кілець, неналежне ущільнення свічки запалювання
	Механічна несправність	Стартер не вмикається	Зламана пружина стартера, зламани деталі всередині двигуна
Проблеми теплового запуску		Спостерігається іскра запалювання в заповненому баку	Карбюратор засмічено, прочистіть його
Двигун запускається, але одразу ж зупиняється	Постачання палива	Бак заповнено	Невірне налаштування холостого ходу, карбюратор засмічено  Несправність повітряного клапана паливного баку, перервано лінію постачання палива, несправність кабелю або пускового перемикача
Недостатня продуктивність	Одночасне ураження декількох систем	Поганий холостий хід двигуна	Засмічено повітряний фільтр, карбюратор, глушитель або витяжний канал в циліндрі

Робочий час		Перед роботою	Після змащення	Щодня (10 год.)	30 год.	50 год.	200 год.	Вимк./ спок.	Відповідна стор.
Моторне мастило	Перевіряти/ чистити	○							36
	Замініть					○*1			42
Деталі, що затягують (болт, гайка)	Перевіряти	○							44
Паливний бак	Чистити/ перевіряти	○							—
	Зливати паливо							○*3	45
Важіль акселератора	Перевіряти функціональність		○						—
Пусковий перемикач	Перевіряти функціональність		○						40
Ріжуча пластина	Перевіряти	○		○					34
Обертання на низькій швидкості	Перевіряти/ налаштувати			○					40
Повітряний фільтр	Прочистіть			○					43
Свічка запалювання	Перевіряти			○					44
Канал охолоджуючого повітря	Чистити/ перевіряти			○					44
Паливна трубка	Перевіряти			○					44
	Замініть						◎*2		—
Консистентне мастило редуктора	Знову наповнювати				○				44
Паливний фільтр	Чистити/ замінити					○			44
Зазор між клапаном постачання повітря та клапаном випуску повітря	Налаштуйте						◎*2		—
Капітальний ремонт двигуна							◎*2		—
Карбюратор	Зливати паливо							○*3	45

\*1 Виконайте першу заміну після 20 годин роботи.

\*2 Для перевірки після 200 робочих годин зверніться до співробітників авторизованої станції технічного обслуговування або до машинного цеху.

\*3 Після того, як Ви злили все паливо з паливного баку, продовжуйте запускати двигун та зливати паливо з карбюратора.

## ВИЯВЛЕННЯ ТА УСУНЕННЯ НЕСПРАВНОСТЕЙ

Перш ніж зробити замовлення щодо ремонту, перевірте несправність самостійно. Якщо Ви знайшли несправність, здійсніть керування пристроєм так, як описано в цій інструкції. Ніколи не втручайтеся в роботу пристрою та не розбирайте будь-які його частини, якщо це суперечить правилам, наведеним в цій інструкції. З питань ремонту звертайтеся до співробітників авторизованої станції технічного обслуговування або до місцевого представництва компанії.

Ненормальний стан	Ймовірна причина (несправність)	Засіб виправлення
Двигун не запускається	Не був задіяний головний насос	Натисніть від 7 до 10 разів
	Низька швидкість витягування тросу стартера	Тягніть сильніше
	Нестача палива	Залийте паливо
	Засмічений паливний фільтр	Прочистіть
	Перегнутий паливний трубопровід	Випряміть паливний трубопровід
	Зіпсоване паливо	Зіпсоване паливо викликає труднощі під час запуску двигуна. Замініть на нове. (Рекомендований строк заміни: 1 місяць)
	Надмірне усмоктування палива	Встановіть важіль акселератора із середньої швидкості на високу та потягніть за ручку стартера, доки двигун не запуститься. <b>Коли двигун запустився, ріжуча пластина починає обертатися. Слідкуйте за ріжучою пластиною.</b> Якщо двигун все ще не запускається, видаліть свічку запалювання, висушіть електрод та встановіть ці деталі на місце. Після цього запустіть двигун, як описано вище.
	Від'єднаний ковпачок заглушки	Обережно встановіть
	Засмічена свічка запалювання	Прочистіть
	Ненормальний зазор свічки запалювання	Налаштуйте зазор
	Інші відхилення свічки запалювання	Замініть
	Несправний карбюратор	Зробіть замовлення спеціального технічного обслуговування.
	Неможливо тягнути за трос стартера	Зробіть замовлення спеціального технічного обслуговування.
Несправна трансмісія	Зробіть замовлення спеціального технічного обслуговування.	
Двигун швидко вимикається Швидкість двигуна не збільшується	Недостатній прогрів	Здійсніть процес прогріву
	Важіль дроселювання встановлений в положення "ЗАКРИТИ", хоча двигун прогріто.	Встановіть його в положення "ВІДКРИТИ"
	Засмічений паливний фільтр	Прочистіть
	Забруднений чи засмічений очищувач повітря	Прочистіть
	Несправний карбюратор	Зробіть замовлення спеціального технічного обслуговування.
	Несправна трансмісія	Зробіть замовлення спеціального технічного обслуговування.
Ріжуча пластина не обертається ↓ Негайно зупиніть двигун	Ослаблена гайка, що затягує ріжучу пластину	Обережно затягніть
	В ріжучу пластину або в кришку, що запобігає розкиду, потрапило гілля.	Приберіть сторонні предмети
	Несправна трансмісія	Зробіть замовлення спеціального технічного обслуговування.
Завелика вібрація головної частини ↓ Негайно зупиніть двигун	Зламана, погнута або зношена ріжуча пластина	Замініть ріжучу пластину
	Ослаблена гайка, що затягує ріжучу пластину	Обережно затягніть
	Зміщена опукла частина ріжучої пластини та її підтримуючий механізм.	Обережно встановіть
	Несправна трансмісія	Зробіть замовлення спеціального технічного обслуговування.
Ріжуча пластина не зупиняється одразу ↓ Негайно зупиніть двигун	Висока швидкість обертання на холостому ходу	Налаштуйте
	Від'єднаний дросельний дріт	Обережно встановіть
	Несправна трансмісія	Зробіть замовлення спеціального технічного обслуговування.
Двигун не зупиняється ↓ Запустіть двигун на холостому ходу та встановіть важіль дроселювання в положення "ЗАКРИТИ"	Від'єднаний коннектор	Обережно встановіть
	Несправність електричної системи	Зробіть замовлення спеціального технічного обслуговування.

Якщо двигун не запускається після прогріву:

якщо ніяких несправностей деталей не виявлено, відкрийте дросель приблизно на 1/3 та запустіть двигун.

Dziękujemy za zakup kosi spalinowej marki MAKITA. Z przyjemnością polecamy Państwu kosę spalinową żyłkową MAKITA, będącą owocem długiego programu rozwoju oraz wieloletniej wiedzy i doświadczenia. Proszę uważnie przeczytać niniejszą broszurę, która w szczegółowy sposób opisuje funkcje urządzenia i jego doskonałe parametry techniczne. Umożliwi ona Państwu optymalne wykorzystanie kosi spalinowej MAKITA.



<b>Spis treści</b>	<b>Strona</b>
Symbole.....	48
Zasady bezpieczeństwa .....	49
Dane techniczne.....	53
Opis części .....	55
Montaż uchwytu.....	56
Montaż osłony .....	57
Montaż ostrza tnącego lub nylonowej głowicy tnącej...	58
Przed rozpoczęciem pracy .....	59
Prawidłowa obsługa urządzenia.....	61
Uruchamianie i wyłączanie urządzenia .....	61
Ostrzenie narzędzia tnącego.....	63
Konserwacja i naprawy.....	65
Przechowywanie.....	68

**SYMBOLE**

Podczas czytania niniejszej instrukcji obsługi napotkasz na następujące symbole.

	Przeczytać instrukcję obsługi i postępować zgodnie z ostrzeżeniami i zasadami bezpieczeństwa!		Nie pozwalać, aby w miejscu pracy przebywały jakiegokolwiek osoby lub zwierzęta!
	Zachować szczególną ostrożność!		Nosić kask, gogle oraz stosować odpowiednią ochronę słuchu!
	Zabronione!		Maksymalna dopuszczalna prędkość narzędzia
	Zachować odpowiednią odległość!		Paliwo (benzyna)
	Niebezpieczeństwo zranienia przez latające przedmioty!		Ręczne uruchomienie urządzenia
	Nie palić!		Wyłączanie awaryjne
	Nie używać otwartego płomienia!		Pierwsza pomoc
	Nosić rękawice ochronne!		ON/START
	Nosić wytrzymałe obuwie robocze z nieślizgającymi się podeszwami. Zaleca się noszenie obuwia ze stalowymi podnoskami!		OFF/STOP
	Odrzut!		



## ZASADY BEZPIECZEŃSTWA

### Zalecenia ogólne

- Przeczytać niniejszą instrukcję obsługi w celu zapoznania się z obsługą tego urządzenia. Użytkownicy posiadający niewystarczającą wiedzę w zakresie obsługi urządzenia stwarzają zagrożenie zarówno dla siebie samych, jak i dla innych osób.
- Zaleca się pożyczanie urządzenia tylko osobom, które posiadają odpowiednie doświadczenie w pracy z tego typu urządzeniami. Wraz z urządzeniem należy przekazać również instrukcję obsługi.
- Osoby używające urządzenia po raz pierwszy powinny poprosić sprzedawcę o podstawowe informacje, które pozwolą im się zapoznać z obsługą kosi.
- Urządzenie nie może być obsługiwane przez dzieci i młodzież w wieku poniżej 18 lat. Osoby powyżej 16 roku życia mogą obsługiwać urządzenie do celów szkoleniowych, jednak pod nadzorem wykwalifikowanego instruktora.
- Korzystać z urządzenia przy zachowaniu szczególnej ostrożności i uwagi.
- Obsługiwać urządzenie, będąc wyłącznie w dobrej kondycji fizycznej. Wszelkie czynności powinny być wykonywane spokojnie i ostrożnie. Użytkownik jest odpowiedzialny za bezpieczeństwo innych osób.
- Nie wolno używać urządzenia, będąc pod wpływem alkoholu lub narkotyków, gdy jest się zmęczonym lub chorym.
- Przepisy krajowe mogą ograniczać w pewnym zakresie użytkowanie urządzenia.

### Przeznaczenie urządzenia

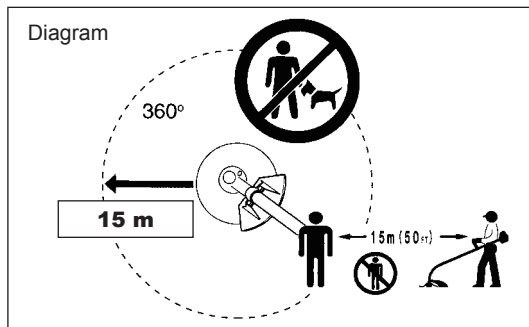
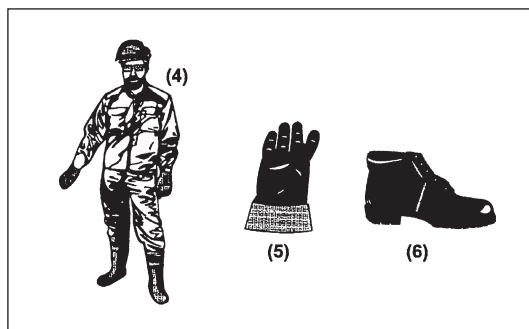
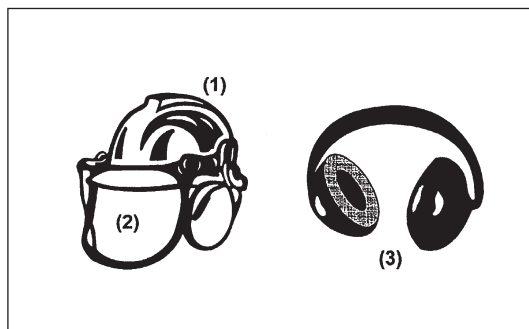
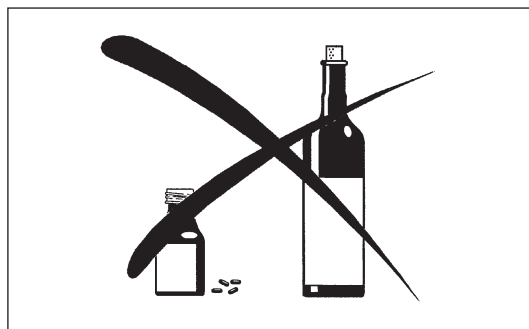
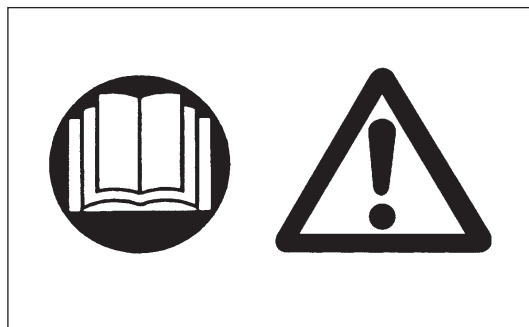
- Urządzenie jest przeznaczone wyłącznie do koszenia trawy, chwastów, krzewów i podsycia. Nie należy go używać do żadnych innych celów, takich jak krawędziowanie lub przycinanie żywopłotu, ponieważ grozi to obrażeniami.

### Sprzęt ochrony osobistej

- Odzież noszona podczas pracy powinna być funkcjonalna i odpowiednia, tzn. powinna przylegać do ciała, ale nie może krępować ruchów. Nie nosić biżuterii lub odzieży, która mogłaby się zaplątać w krzewy lub gałęzie.
- Aby uniknąć obrażeń głowy, oczu, dłoni lub stóp, jak również w celu ochrony słuchu, podczas pracy z urządzeniem należy używać następującego sprzętu ochrony osobistej.
- Jeżeli istnieje zagrożenie bezpieczeństwa przez spadające przedmioty, należy zawsze nosić kask ochronny. Kask ochronny (1) należy regularnie sprawdzać pod kątem ewentualnych uszkodzeń i wymieniać przynajmniej raz na 5 lat. Używać tylko atestowanych kasków ochronnych.
- Osłona twarzy (2) kasku (lub alternatywnie gogle) chronią twarz przed latającymi odpadami i kamieniami. Podczas obsługi urządzenia zawsze należy nosić okulary ochronne lub osłonę twarzy, aby zapobiec obrażeniom oczu.
- Stosować odpowiednie zabezpieczenie słuchu (nauszniki (3), zatyczki do uszu itp.).
- Kombinezon roboczy (4) chroni przed wyrzucanymi kamieniami i drobkami. Bezwzględnie zalecamy użytkownikom noszenie kombinezonu roboczego podczas pracy z urządzeniem.
- Rękawice ochronne (5) stanowią część przepisowego sprzętu ochronnego i muszą być zawsze noszone podczas pracy z urządzeniem.
- Podczas pracy z urządzeniem należy zawsze nosić wytrzymałe obuwie (6) na podeszwie antypoślizgowej. Chroni to stopy przed obrażeniami i umożliwia zachowanie dobrej postawy oraz równowagi.

### Uruchamianie kosi

- Upewnić się, że w promieniu 15 metrów nie przebywają żadne dzieci lub inne osoby, jak również zwracać uwagę, czy w pobliżu miejsca pracy nie ma żadnych zwierząt.
- Przed użyciem zawsze należy sprawdzić, czy uruchomienie urządzenia jest bezpieczne. Sprawdzić bezpieczeństwo narzędzia tnącego, płynną pracę dźwigni przepustnicy oraz prawidłowe działanie blokady dźwigni przepustnicy.
- Podczas pracy na biegu jałowym narzędzie tnące nie może się obracać. W razie wątpliwości zwrócić się do sprzedawcy w celu wyregulowania urządzenia. Sprawdzić, czy uchwyty są czyste i suche oraz przetestować działanie przełącznika start/stop.

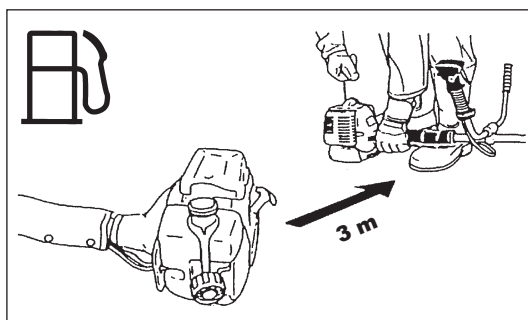
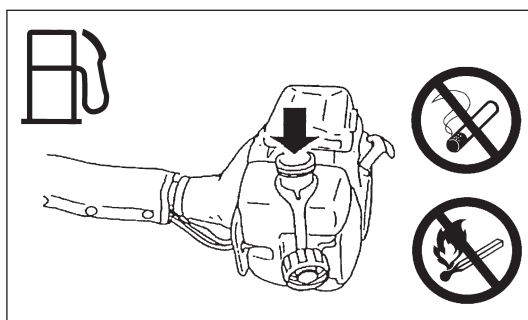
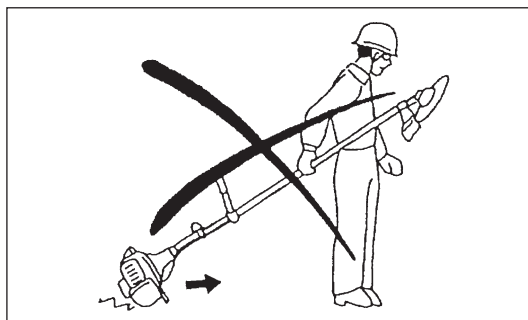
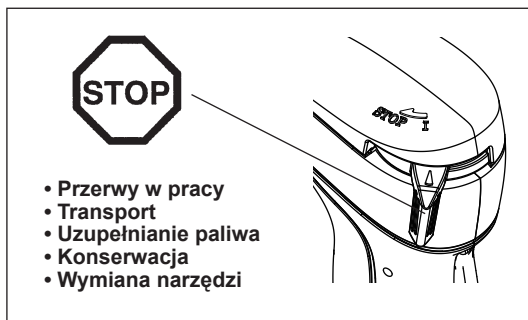
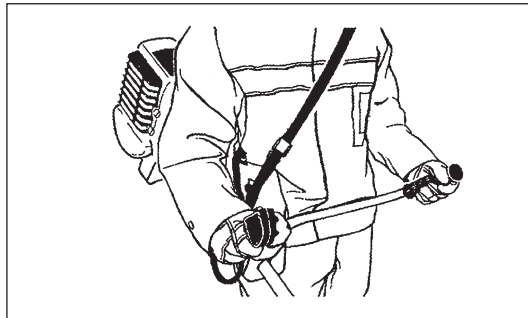
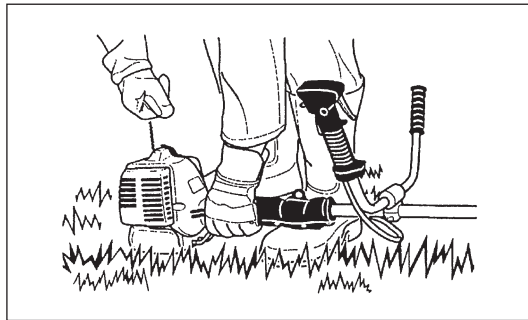


Uruchomić kosę zgodnie z instrukcją.

- Nie stosować żadnej innej metody w celu uruchomienia silnika!
- Używać kosi oraz narzędzi tylko zgodnie z ich przeznaczeniem.
- Silnik można uruchomić dopiero po zakończeniu montażu urządzenia. Korzystanie z urządzenia jest dozwolone dopiero po zamontowaniu wszystkich wymaganych akcesoriów!
- Przed uruchomieniem urządzenia należy upewnić się, że narzędzie tnące nie dotyka twardych przedmiotów, takich jak gałęzie, kamienie itp., ponieważ przy rozruchu zaczyna się obracać.
- W razie jakichkolwiek problemów z silnikiem należy natychmiast go wyłączyć.
- W przypadku uderzenia ostrza o kamień lub inny twardy przedmiot należy natychmiast wyłączyć silnik i sprawdzić narzędzie tnące pod kątem ewentualnych uszkodzeń.
- Należy często, regularnie sprawdzać narzędzie tnące pod kątem uszkodzeń (wykrywanie pęknięć przy użyciu testu odgłosów przy stukaniu).
- W przypadku silnego uderzenia przyrzędem lub jego upadku, sprawdzić stan przyrzędu przed ponownym przystąpieniem do kontynuowania pracy. Sprawdzić układ paliwowy pod kątem szczelności oraz elementy sterujące i urządzenia zabezpieczające pod kątem prawidłowego działania. W przypadku stwierdzenia uszkodzenia lub wątpliwości, co do prawidłowej pracy przyrzędu, należy zwrócić się do autoryzowanego centrum serwisowego w celu przeprowadzenia przeglądu i naprawy.
- Kosę należy obsługiwać tylko z zamocowanymi szelkami nośnymi, które należy odpowiednio dopasować przed jej uruchomieniem. Dopasowanie szelek nośnych do użytkownika ma zasadnicze znaczenie, ponieważ zapobiega zmęczeniu podczas pracy z powodu niewłaściwej postawy. Podczas pracy nigdy nie trzymać jednostki napędowej jedną ręką.
- Podczas pracy zawsze należy trzymać kosę oburącz. Zawsze należy pamiętać o zachowaniu prawidłowej postawy i równowagi.
- Urządzenie należy obsługiwać w taki sposób, aby unikać wdychania spalin. Nigdy nie uruchamiać silnika w pomieszczeniu zamkniętym (ryzyko zatrucia gazem). Tlenek węgla jest gazem bezwonny.
- Podczas przerw w pracy lub w przypadku pozostawiania urządzenia bez nadzoru, należy wyłączyć silnik i odłożyć urządzenie w bezpieczne miejsce tak, aby nie zagrażało bezpieczeństwu innych osób i nie było narażone na uszkodzenie.
- Nigdy nie kłaść rozgrzanej kosi na suchej trawie lub jakimkolwiek innym materiale łatwopalnym.
- Przed uruchomieniem silnika należy zawsze zamontować w pierwszej kolejności osłonę elementu tnącego na przyrzędzie. W przeciwnym razie kontakt z narzędziem tnącym może prowadzić do powstania poważnych obrażeń.
- Wszystkie zabezpieczenia i osłony dostarczone wraz z urządzeniem muszą być używane podczas pracy.
- Nigdy nie używać urządzenia z uszkodzonym tłumikiem wydechowym.
- Wylądzać silnik na czas transportu.
- Przed transportem przyrzędu należy zawsze zamocować pokrywę ostrza tnącego.
- Podczas transportu samochodem należy zawsze zapewnić bezpieczną pozycję urządzenia, aby uniknąć wycieku paliwa.
- Podczas transportu urządzenia należy się upewnić, że zbiornik paliwa jest całkowicie opróżniony.
- Podczas rozładowywania urządzenia z samochodu uważać, aby nie upuścić go. Może to doprowadzić do poważnego uszkodzenia zbiornika paliwa.
- Oprócz wyjątkowych przypadków, nie wolno upuszczać ani rzucać urządzenia na podłoże, ponieważ grozi to jego poważnym uszkodzeniem.
- Podczas przenoszenia urządzenia należy je całkowicie podnieść z ziemi. Ciągnięcie zbiornika paliwa po podłożu jest niezwykle niebezpieczne i może spowodować jego uszkodzenie oraz wyciek paliwa, mogący doprowadzić do pożaru.

## Tankowanie

- Przed tankowaniem należy wyłączyć silnik; nie zbliżyć się do otwartego ognia i nie palić tytoniu.
- Unikać kontaktu skóry z produktami zawierającymi oleje mineralne. Nie wdychać oparów paliwa. Podczas uzupełniania paliwa zawsze nosić rękawice ochronne. Pamiętać o regularnej zmianie i praniu odzieży ochronnej.
- Aby zapobiec skażeniu gleby (ochrona środowiska), nie dopuszczać do rozlania paliwa lub oleju. W przypadku rozlania paliwa natychmiast wyczyścić kosę.
- Unikać kontaktu paliwa z odzieżą. W przypadku rozlania paliwa na odzież, należy się natychmiast przebrać (aby zapobiec zapaleniu się odzieży).
- Regularnie sprawdzać korek wlewu paliwa i upewnić się, że można go dokładnie dokręcić i że jest całkowicie szczelny.
- Starannie dokręcić korek wlewu paliwa. Przed uruchomieniem silnika zmienić miejsce (min. 3 metry od miejsca tankowania).
- Nigdy nie napełniać zbiornika paliwem w pomieszczeniach zamkniętych. Opary paliwa gromadzą się na poziomie podłoża (ryzyko wybuchu).
- Paliwo można transportować i przechowywać tylko w atestowanych kanistrach. Upewnić się, że paliwo jest przechowywane w miejscu niedostępnym dla dzieci.



## Metoda pracy

- Używać urządzenia tylko przy dobrym oświetleniu i widoczności. Zimą należy uważać na śliskim lub mokrym terenie, jak również na lodzie i śniegu (ryzyko poślizgnięcia). Zawsze należy pamiętać o zachowaniu prawidłowej postawy i równowagi.
- Nie wolno kosić powyżej poziomu pasa.
- Nie wolno stawać na drabinie.
- Nie wolno wspinać się na drzewa w celu koszenia.
- Nie pracować na niestabilnym podłożu.
- Obszar roboczy należy oczyścić z piasku, kamieni, gwoździ itp. Ciała obce mogą uszkodzić narzędzie tnące i spowodować niebezpieczny odrzut.
- Przed rozpoczęciem koszenia narzędzie tnące musi osiągnąć pełne obroty.
- W przypadku używania do koszenia ostrzy metalowych, należy płynnym ruchem zataczać przyrządem pół okręgu, z prawej strony do lewej i odwrotnie, tak jak podczas korzystania z kosi.
- W przypadku zablokowania się trawy lub gałęzi pomiędzy narzędziem tnącym a osłoną, należy zawsze przed ich usunięciem zatrzymać silnik. W przeciwnym razie przypadkowy obrót ostrza może przyczynić się do powstania poważnych obrażeń.
- Stosować przerwy podczas pracy z przyrządem, aby zapobiec utracie kontroli w wyniku zmęczenia. Zaleca się 10-20 minutową przerwę po każdej przepracowanej godzinie.

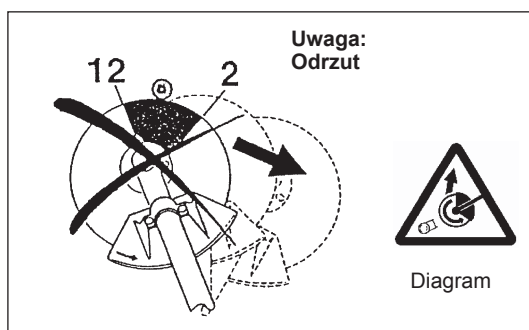


## Narzędzia tnące

- Do pracy należy używać tylko odpowiedniego narzędzia tnącego. Do podkaszania trawnika należy używać żyłkowej głowicy tnącej (żyłkowej głowicy podkaszającej). Ostrza metalowe są odpowiednie do koszenia chwastów, wysokiej trawy, krzewów, krzaków, poszycia, zarośli itp. Nigdy nie używać innych ostrzy zawierających metalowe wieloczęściowe łańcuchy obrotowe lub noże bijakowe. W przeciwnym wypadku może to przyczynić się do powstania poważnych obrażeń.
- W przypadku używania ostrzy metalowych należy unikać sytuacji mogących spowodować „odrzut” oraz być przygotowanym w każdej chwili na przypadkowy odrzut. Patrz punkt „Odrzut” oraz „Zapobieganie odrzutowi”.

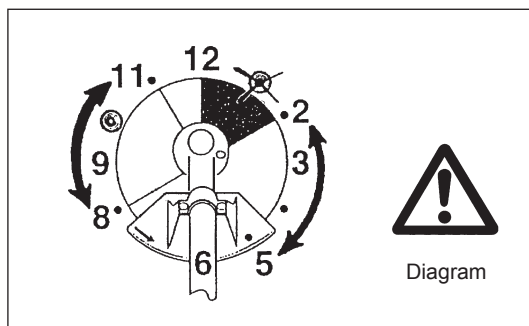
## Odrzut (zablokowanie ostrza)

- Odrzut (zablokowanie ostrza) to gwałtowna reakcja na zablokowanie lub unieruchomienie ostrza tnącego. W przypadku wystąpienia odrzutu, urządzenie zostaje odrzucone z dużą siłą w bok lub w kierunku operatora, mogąc przyczynić się do powstania poważnych obrażeń ciała.
- Odrzut może wystąpić przede wszystkim podczas przykładania ostrza pomiędzy godziną 12 a 2 do twardych przedmiotów, krzewów lub drzew o średnicy 3 cm lub większej.
- Aby uniknąć odrzutu:
  - przykładać ostrze pomiędzy godziną 8 a 11;
  - nigdy nie przykładać ostrza pomiędzy godziną 12 a 2;
  - nigdy nie przykładać ostrza pomiędzy godziną 11 a 12 i pomiędzy godziną 2 a 5, chyba że operator posiada odpowiednie doświadczenie i wykona to na własną odpowiedzialność;
  - nigdy nie używać ostrzy tnących w pobliżu twardych przedmiotów, takich jak ogrodzenia, ściany, pnie drzew oraz kamienie;
  - nigdy nie używać ostrzy tnących w położeniu pionowym do takich operacji, jak krawędziowanie lub przycinanie żywoplotu.



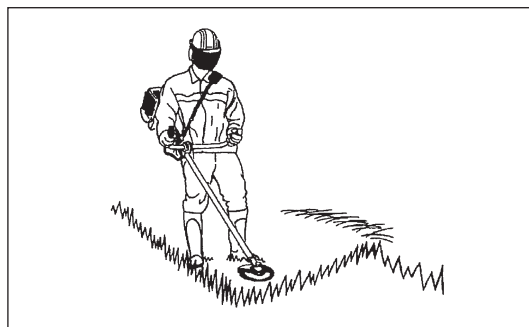
## Drgania

- U osób z problemami krążeniowymi, które są narażone na działanie zbyt intensywnych drgań, może dochodzić do uszkodzenia naczyń krwionośnych lub układu nerwowego. Drgania mogą wywoływać poniższe objawy w palcach, rękach lub nadgarstkach: „zasypianie” (dřętwienie), mrowienie, bóle, wrażenie kłucia, zmiany w zabarwieniu skóry lub zmiany na skórze. W razie wystąpienia dowolnego z powyższych objawów, należy zgłosić się do lekarza.
- W celu zmniejszenia ryzyka wystąpienia „choroby białych palców” należy zapobiegać wyziębieniu dłoni oraz zapewnić prawidłowy stan przyrządu i wyposażenia dodatkowego.



## Instrukcja konserwacji

- Aby przyrząd podlegał serwisowaniu przez nasze autoryzowane centrum serwisowe należy stosować wyłącznie oryginalne części zamienne. Nieprawidłowa naprawa i konserwacja mogą przyczynić się do skrócenia żywotności przyrządu oraz zwiększyć ryzyko wypadków.
- Przed rozpoczęciem pracy należy sprawdzić stan kosi, zwłaszcza narzędzia tnącego i jego osłon, jak również szelek nośnych. Szczególną uwagę należy zwrócić na ostrza tnące, które muszą być prawidłowo naostrzone.
- Przed przystąpieniem do wymiany lub ostrzenia narzędzi tnących bądź czyszczenia kosi lub narzędzia tnącego należy wyłączyć silnik i zdjąć nasadki ze świec zapłonowych.



## Nigdy nie prostować ani nie spawać uszkodzonych narzędzi tnących.

- Należy chronić środowisko naturalne. Unikać zbędnej pracy przepustnicy w celu zmniejszenia zanieczyszczenia środowiska i obniżenia poziomu hałasu. Wyregulować prawidłowo gaźnik.
- Regularnie czyścić urządzenie i sprawdzać, czy wszystkie śruby i nakrętki są prawidłowo dokręcone.
- Nigdy nie serwisować ani nie przechowywać urządzenia w pobliżu otwartego ognia.
- Zawsze przechowywać urządzenie w pomieszczeniach zamkniętych, z opróżnionym zbiornikiem paliwa.
- Przed czyszczeniem, serwisowaniem lub przechowywaniem przyrządu należy zawsze zamocować pokrywę ostrza tnącego.



Przestrzegać instrukcji dotyczących zapobiegania wypadkom, wydanych przez organizacje branżowe i firmy ubezpieczeniowe. Nie dokonywać żadnych modyfikacji urządzenia, ponieważ zagraża to bezpieczeństwu.

Zakres prac konserwacyjnych lub naprawczych wykonywanych przez użytkownika ograniczony jest do tych, które opisano w niniejszej instrukcji obsługi. Wszelkie pozostałe prace muszą być wykonywane przez autoryzowany serwis. Używać tylko oryginalnych części zamiennych i akcesoriów zalecanych i dostarczonych przez firmę MAKITA.

Używanie niezalecanych akcesoriów i narzędzi oznacza zwiększone ryzyko wypadków.

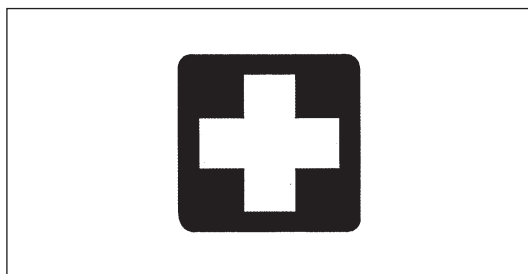
Firma MAKITA nie ponosi żadnej odpowiedzialności za wypadki lub szkody spowodowane używaniem niezalecanych narzędzi tnących i elementów mocujących do narzędzi tnących lub niezalecanych akcesoriów.

## Pierwsza pomoc

Należy zadbać, aby w pobliżu miejsca, w którym wykonuje się prace, zawsze dostępna była apteczka pierwszej pomocy, z której można będzie skorzystać w razie wypadku. Wszelkie braki z apteczki należy niezwłocznie uzupełniać.

## Wzywając karetkę należy podać następujące informacje:

- Miejsce wypadku
- Opis wydarzenia
- Liczbę osób, które odniosły obrażenia
- Rodzaje obrażeń
- Własne imię i nazwisko



---

Dotyczy tylko krajów europejskich

## Deklaracja zgodności WE

Firma Makita Corporation, jako odpowiedzialny producent, oświadcza niniejszym, że poniższe urządzenia marki Makita:

Oznaczenie maszyny: Kosa spalinowa

Nr modelu / Typ: EBH252U, EBH253U, EBH252L, EBH253L

Dane techniczne: patrz tabela „DANE TECHNICZNE”

są produkowane seryjnie oraz

**spełniają wymagania następujących dyrektyw Unii Europejskiej:**

2000/14/WE, 2006/42/WE

i są produkowane zgodnie z następującymi normami lub dokumentami normalizacyjnymi:

EN ISO 11806-1

Dokumentacja techniczna przechowywana jest przez:

Makita International Europe Ltd., Technical Department,

Michigan Drive, Tongwell, Milton Keynes, Bucks MK15 8JD, Wielka Brytania

Procedura oceny zgodności wymagana przez Dyrektywę 2000/14/WE została przeprowadzona zgodnie z Załącznikiem V.

Zmierzony poziom mocy akustycznej: 109,3 dB

Gwarantowany poziom mocy akustycznej: 111 dB

19. 12. 2008



Tomoyasu Kato  
Dyrektor  
Makita Corporation  
3-11-8, Sumiyoshi-cho,  
Anjo, Aichi, JAPAN

## DANE TECHNICZNE EBH252U, EBH252L

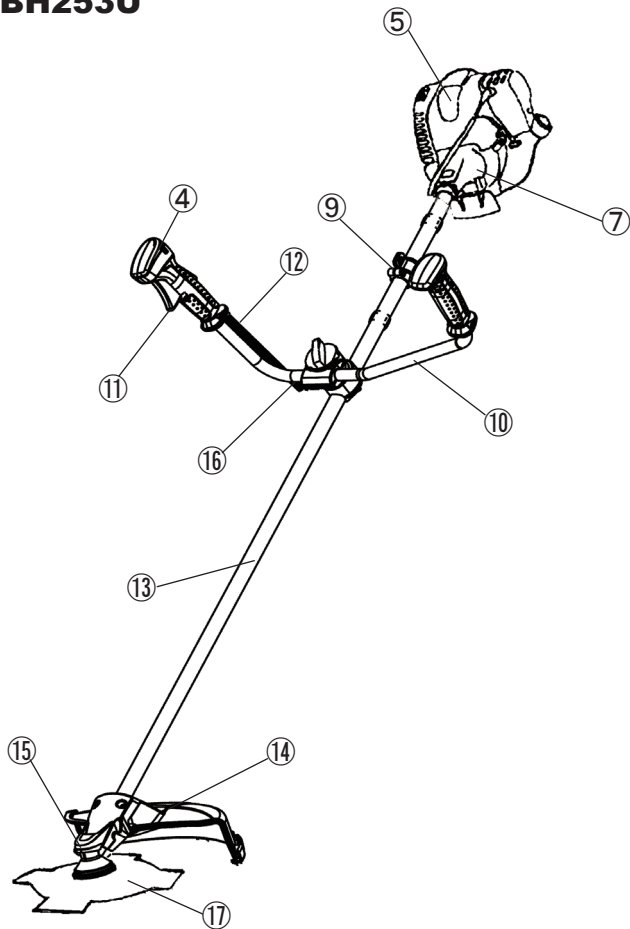
Model		EBH252U		EBH252L			
		Kierownica rowerowa		Uchwyt pałkowy			
Wymiary: długość x szerokość x wysokość (bez ostrza tnącego)		mm	1 770 x 620 x 490		1 770 x 330 x 275		
Masa (bez plastikowej osłony i ostrza tnącego)		kg	5,7		5,3		
Pojemność (zbiornik paliwa)		l	0,5				
Pojemność (zbiornik oleju)		l	0,08				
Pojemność skokowa silnika		cm <sup>3</sup>	24,5				
Maksymalna moc silnika		kw	0,71 przy 7 000 min <sup>-1</sup>				
Prędkość silnika przy zalecanej maks. prędkości obrotowej wrzeciona		min <sup>-1</sup>	8 500				
Maksymalna prędkość wrzeciona (odpowiadająca)		min <sup>-1</sup>	6 500				
Maksymalne zużycie paliwa		kg/h	0,33				
Maksymalne jednostkowe zużycie paliwa		g/kWh	408				
Prędkość biegu jałowego		min <sup>-1</sup>	3 000				
Gaźnik		typ	WALBRO WYL				
System zapłonu		typ	Zapłon bezrozdzielaczowy				
Świeca zapłonowa		typ	NGK CMR4A				
Przerwa międzyelektrodowa		mm	0,7 - 0,8				
Drgania wg ISO 22867	Uchwyt prawy (Rękojeść tylna)	a <sub>hv eq</sub>	m/s <sup>2</sup>	2,5		5,0	
		Niepewność K	m/s <sup>2</sup>	0,58		1,23	
	Uchwyt lewy (Rękojeść przednia)	a <sub>hv eq</sub>	m/s <sup>2</sup>	2,9		4,3	
		Niepewność K	m/s <sup>2</sup>	0,37		0,36	
Średni poziom ciśnienia akustycznego wg ISO 22868		L <sub>PA eq</sub>	dBA	97,1			
		Niepewność K	dBA	2,4			
Średni poziom mocy akustycznej wg ISO 22868		L <sub>WA eq</sub>	dBA	106,3			
		Niepewność K	dBA	1,2			
Filtr		Benzyna bezołowiowa					
Olej silnikowy		Olej SAE 10W-30 klasyfikacji API, Klasa SF lub wyższa (4-suwowy silnik samochodowy)					
Narzędzia tnące (średnica ostrza tnącego)		mm	230				
Przełożenie przekładni zębatej		14/19					

## DANE TECHNICZNE EBH253U, EBH253L

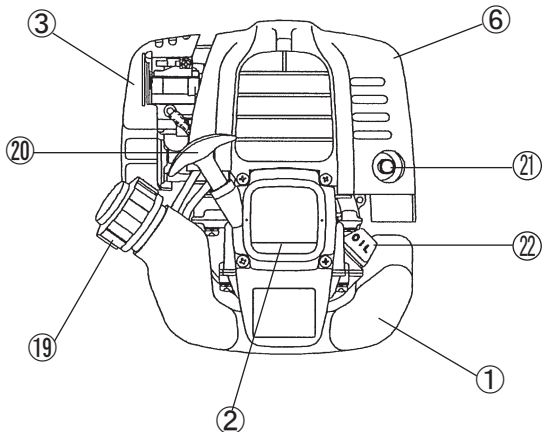
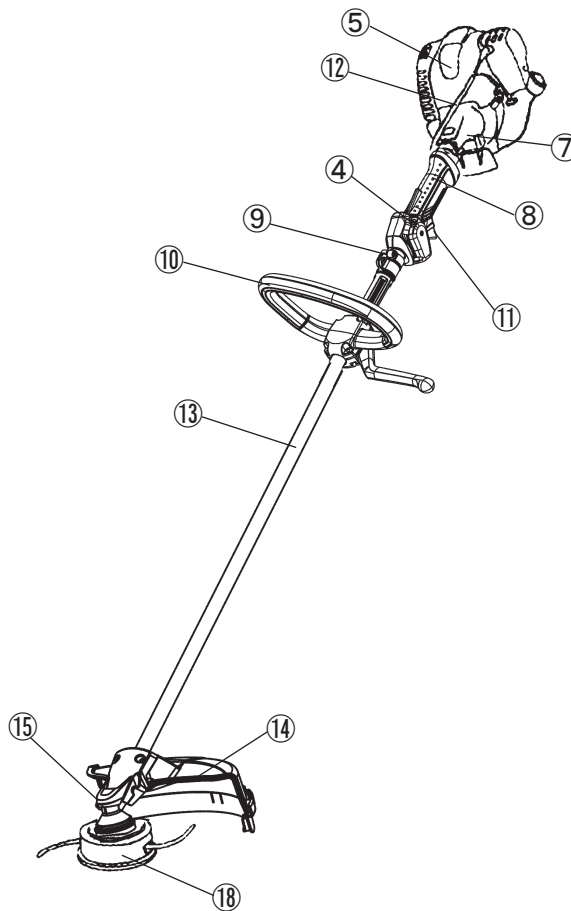
Model		EBH253U		EBH253L	
		Kierownica rowerowa		Uchwyt pałkowy	
Wymiary: długość x szerokość x wysokość (bez ostrza tnącego)		mm	1 770 x 620 x 490		1 770 x 330 x 275
Masa (bez plastikowej osłony i ostrza tnącego)		kg	5,9		5,4
Pojemność (zbiornik paliwa)		l	0,5		
Pojemność (zbiornik oleju)		l	0,08		
Pojemność skokowa silnika		cm <sup>3</sup>	24,5		
Maksymalna moc silnika		kw	0,71 przy 7 000 min <sup>-1</sup>		
Prędkość silnika przy zalecanej maks. prędkości obrotowej wrzeciona		min <sup>-1</sup>	8 500		
Maksymalna prędkość wrzeciona (odpowiadająca)		min <sup>-1</sup>	6 500		
Maksymalne zużycie paliwa		kg/h	0,33		
Maksymalne jednostkowe zużycie paliwa		g/kWh	408		
Prędkość biegu jałowego		min <sup>-1</sup>	3 000		
Gaźnik		typ	WALBRO WYL		
System zapłonu		typ	Zapłon bezrozdzielaczowy		
Świeca zapłonowa		typ	NGK CMR4A		
Przerwa międzyelektrodowa		mm	0,7 – 0,8		
Drgania wg ISO 22867	Uchwyt prawy (Rękojeść tylna)	$a_{hv\ eq}$	m/s <sup>2</sup>	2,6	5,3
		Niepewność K	m/s <sup>2</sup>	0,83	1,22
	Uchwyt lewy (Rękojeść przednia)	$a_{hv\ eq}$	m/s <sup>2</sup>	2,3	4,4
		Niepewność K	m/s <sup>2</sup>	0,52	0,21
Średni poziom ciśnienia akustycznego wg ISO 22868		$L_{PA\ eq}$	dB(A)	97,1	
		Niepewność K	dB(A)	2,4	
Średni poziom mocy akustycznej wg ISO 22868		$L_{WA\ eq}$	dB(A)	106,3	
		Niepewność K	dB(A)	1,2	
Filtr		Benzyna bezołowiowa			
Olej silnikowy		Olej SAE 10W-30 klasyfikacji API, Klasa SF lub wyższa (4-suwowy silnik samochodowy)			
Narzędzia tnące (średnica ostrza tnącego)		mm	230		
Przełożenie przekładni zębatej		14/19			

## OPIS CZĘŚCI

### EBH252U EBH253U



### EBH252L EBH253L



PL	OPIS CZĘŚCI
1	Zbiornik paliwa
2	Rozrusznik mechaniczny
3	Filtr powietrza
4	Przełącznik I-O (wł./wył.)
5	Świeca zapłonowa
6	Tłumik wydechowy
7	Obudowa sprzęgła
8	Rękojeść tylna
9	Wieszak
10	Rękojeść
11	Dźwignia sterownicza
12	Kabel sterowniczy
13	Wał
14	Ostona (ostona narzędzia tnącego)
15	Skrzynka przekładniowa/Obudowa głowicy
16	Oprawa uchwytu
17	Ostrze tarczy
18	Nylonowa głowica tnąca
19	Korek wlewu paliwa
20	Uchwyt rozrusznika
21	Rura wydechowa
22	Miarka poziomu oleju

## MONTAŻ UCHWYTU

UWAGA: Przed przystąpieniem do jakiegokolwiek pracy w obrębie kosi spalinowej należy zawsze wyłączyć silnik i wyciągnąć łącznik świecy zapłonowej.

Zawsze nosić rękawice ochronne!

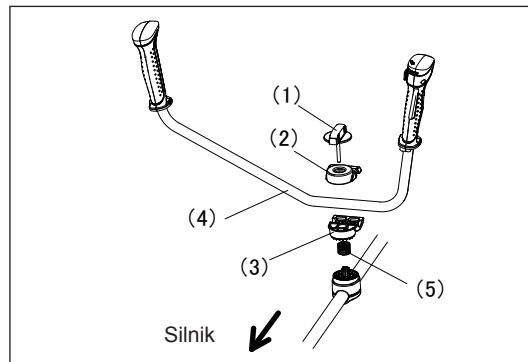
UWAGA: Uruchomić kosę spalinową dopiero po całkowitym zmontowaniu wszystkich elementów.



### Modele z uchwytem typu "kierownica roweru"

- Poluzować gałkę (1).
- Umieścić uchwyt (4) pomiędzy zaciskiem uchwyty (2) a oprawą uchwyty (3).
- Ustawić uchwyt (4) pod takim kątem, aby gwarantował komfortową pozycję pracy, po czym zablokować go, dokręcając ręcznie gałkę do oporu (1).

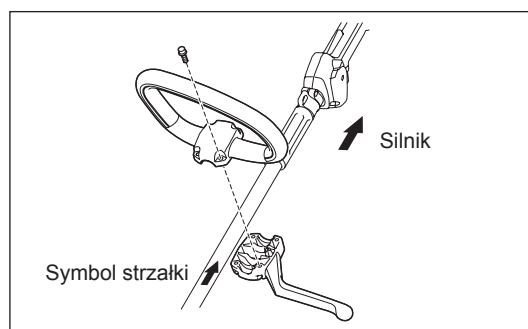
UWAGA: Nie zapomnieć o zamontowaniu sprężyny (5).



### Modele z uchwytem typu pętlowego

- Przymocować barierę do lewej strony urządzenia wraz z uchwytem chroniącym operatora.
- Należy sprawdzić, czy zespół uchwyt/bariera został zamocowany pomiędzy przekładką a symbolem strzałki.

OSTRZEŻENIE: Nie demontować ani zwężać przekładki. Przekładka gwarantuje zachowanie wymaganej odległości pomiędzy rękami. Zamocowanie zespołu uchwyt/bariera blisko drugiego uchwyty bez zachowania odległości przekładki może spowodować utratę kontroli oraz poważne obrażenia ciała.





## MONTAŻ OSŁONY

Zgodnie ze stosownymi przepisami dotyczącymi bezpieczeństwa, można używać tylko narzędzia z zamontowaną osłoną (patrz tabela).

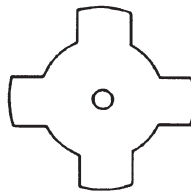


### Upewnić się, że używa się oryginalnych ostrzy tnących lub nylonowej głowicy tnącej marki MAKITA.

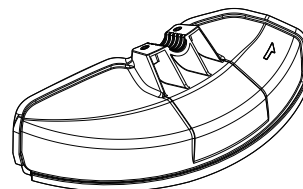
- Ostrze tnące musi być dobrze wypolerowane, bez pęknięć, wyszczerbień i rys. W przypadku uderzenia ostrza tnącego o kamień podczas pracy należy natychmiast wyłączyć urządzenie i sprawdzić ostrze pod kątem uszkodzeń.
- Ostrze należy ostrzyć lub wymieniać po każdych trzech godzinach pracy.
- W przypadku uderzenia nylonowej głowicy tnącej o kamień podczas pracy należy natychmiast wyłączyć urządzenie i sprawdzić głowicę pod kątem uszkodzeń.

**UWAGA:** Dla własnego bezpieczeństwa, zgodnie z przepisami dotyczącymi zapobiegania wypadkom, narzędzia wolno używać tylko z zamontowaną osłoną. Używanie narzędzia bez zamontowanej osłony jest niedozwolone. Średnica zewnętrzna ostrza tnącego musi wynosić 230 mm (9-1/16"). Nigdy nie używać ostrzy o średnicy zewnętrznej przekraczającej 230 mm (9-1/16").

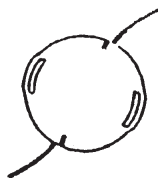
Ostrze metalowe



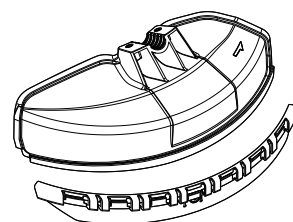
Osłona do ostrzy metalowych



Nylonowa głowica tnąca

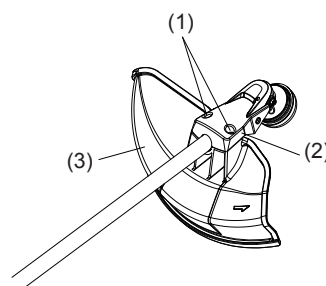


Osłona do nylonowej głowicy tnącej



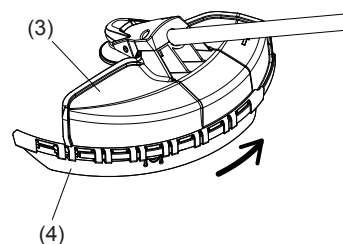
- W przypadku używania ostrza metalowego należy przymocować osłonę (3) do zacisku (2) przy pomocy dwóch śrub M6 x 30 (1).

**UWAGA:** Dokręcić równomiernie prawą i lewą śrubę, aby odstęp pomiędzy zaciskiem (2) a osłoną (3) był stały. W przeciwnym wypadku osłona może nie działać prawidłowo.

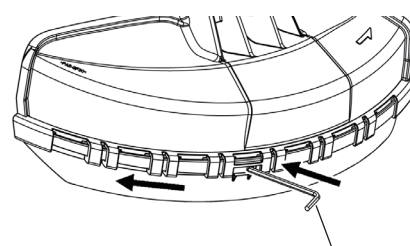


- W przypadku używania żyłki nylonowej należy się upewnić, że osłona żyłki nylonowej (4) została zamontowana na osłonie ostrza metalowego (3).
- Zamontować osłonę żyłki nylonowej (4), równocześnie wsuwając ją na miejsce z boku osłony ostrza metalowego (3), zgodnie z ilustracją.
- Usunąć taśmę z narzędzia tnącego, które tnie żyłkę nylonową, na osłonie ostrza z żyłką nylonową (4).

**UWAGA:** Upewnić się, że osłona żyłki nylonowej (4) została wsunięta do oporu. Zachować ostrożność, aby się nie zranić o ostrze do cięcia żyłki nylonowej.



- Aby zdemontować osłonę żyłki nylonowej (4), należy umieścić klucz sześciokątny w nacięciu na osłonie ostrza metalowego (3) i docisnąć, przesuując jednocześnie osłonę żyłki nylonowej (4).

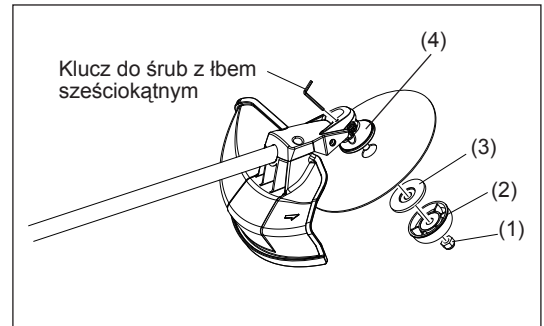


Klucz do śrub z łbem sześciokątnym

## MONTAŻ OSTRZA TNĄCEGO LUB NYLONOWEJ GŁOWICY TNĄCEJ

Aby łatwo wymienić ostrze tnące lub nylonową głowicę tnącą, należy obrócić urządzenie.

- Wsunąć klucz do wkrętów z łbem sześciokątnym w otwór w skrzynce przekładniowej i obracać podkładkę (4), dopóki nie zostanie zablokowana kluczem.
- Odkręcić nakrętkę (1) (gwint lewy) kluczem nasadowym i wyjąć nakrętkę (1), miskę (2) i podkładkę zacisku (3).

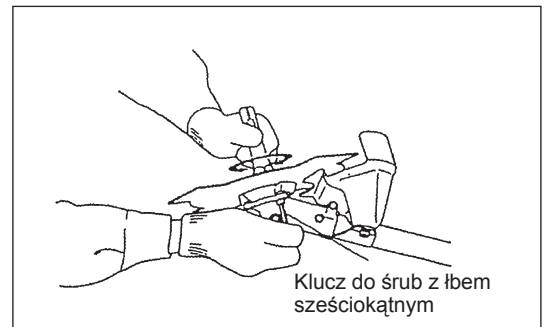


### Montaż ostrza z kluczem do śrub z łbem sześciokątnym na miejscu

- Zamontować ostrze tnące na wale tak, aby prowadnica podkładki (4) pokrywała się z otworem trzpienia w ostrzu tnącym. Zainstalować podkładkę zacisku (3), nakładkę (2) i przymocować ostrze tnące nakrętką (1).  
[Moment dokręcania: 13 - 23 N·m]

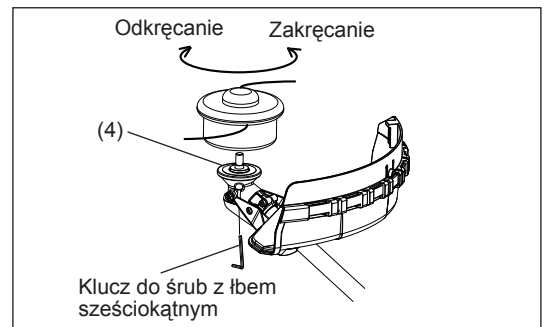
UWAGA: Podczas prac wymagających kontaktu z ostrzem tnącym zawsze nosić rękawice ochronne.

UWAGA: Nakrętka mocująca ostrze tnące (z podkładką sprężystą) jest częścią podlegającą zużyciu. W przypadku zauważenia jakichkolwiek oznak zużycia lub zniekształcenia podkładki sprężystej należy wymienić nakrętkę.

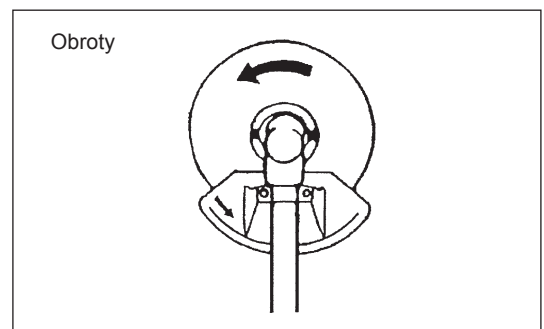


### Montaż nylonowej głowicy tnącej

- Do montażu nylonowej głowicy tnącej nie są wymagane podkładka zacisku (3), nakładka (2) i nakrętka (1). Nylonowa głowica tnąca powinna być zamontowana u góry podkładki (4).
- Wsunąć klucz do wkrętów z łbem sześciokątnym w otwór w skrzynce przekładniowej i obracać podkładkę (4), dopóki nie zostanie zablokowana kluczem.
- Następnie wkręcić nylonową głowicę tnącą na wał, obracając ją w kierunku przeciwnym do ruchu wskazówek zegara.
- Wyjąć klucz do śrub z łbem sześciokątnym.



- Upewnić się, że ostrze jest zwrócone lewą stroną do góry.



## PRZED ROZPOCZĘCIEM PRACY

### Kontrola i uzupełnienie oleju silnikowego

- Po ostygnięciu silnika wykonać następującą procedurę.
- Utrzymując silnik w wyrównanej pozycji, wyjąć miarkę poziomu oleju i upewnić się, że poziom oleju mieści się pomiędzy oznaczeniem górnego i dolnego limitu.  
Gdy poziom oleju jest tak niski, że sięga tylko końcówki miarki, szczególnie jeżeli miarka pozostaje wsunięta w skrzynię korbową bez wkręcania (rys. 1), należy wlać nowy olej w pobliżu otworu (rys. 2).
- Orientacyjna częstotliwość dolewania oleju wynosi 10 godzin. (10 razy lub 10 zbiorniczków uzupełniających)  
Jeżeli olej zmienił kolor lub jest zmieszany z zanieczyszczeniami, należy go wymienić. (Częstotliwość i metoda wymiany: patrz P 65)

**Zalecany olej:** SAE 10W-30, klasyfikacja API, klasa SF lub wyższa (4-suwowy silnik samochodowy)

**Pojemność oleju:** ok. 0,08 l

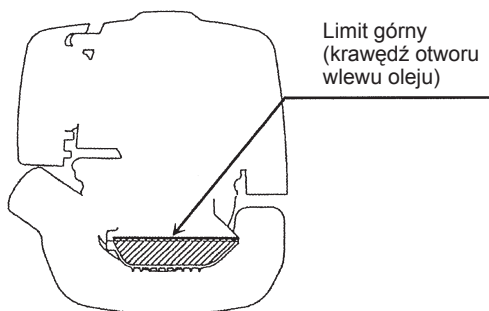
Uwaga: Jeżeli silnik nie jest utrzymywany w położeniu pionowym, olej może się rozlać wokół silnika lub może zostać włana jego nadmierna ilość. W przypadku włania nadmiernej ilości oleju może dojść do jego zanieczyszczenia lub zapalenia, przy którym pojawi się biały dym.

#### Punkt 1 - Wymiana oleju: "Miarka poziomu oleju"

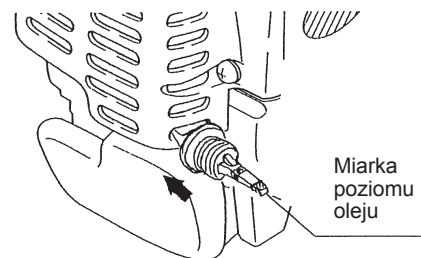
- Usunąć kurz lub brud nagromadzony wokół otworu wlotu oleju i wyjąć miarkę poziomu oleju.
- Chronić odkręconą miarkę poziomu oleju przed zanieczyszczeniem piaskiem lub kurzem. W przeciwnym wypadku piasek lub kurz przyklejony do miarki może spowodować nieprawidłowy obieg oleju lub zużycie części silnika, prowadząc do awarii.
- Aby utrzymać miarkę poziomu oleju w czystości, zaleca się wsunięcie jej gałki w pokrywę silnika tak, jak pokazano na rys. 3.



Rys. 1

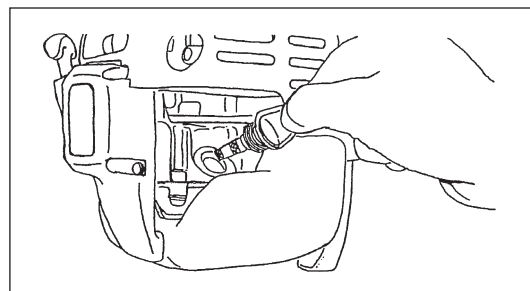


Rys. 2

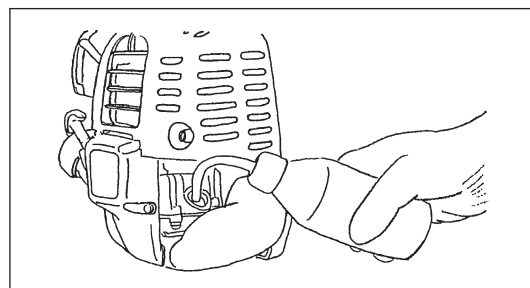


Rys. 3

(1) Trzymać silnik w wyrównanej pozycji i wyjąć miarkę poziomu oleju.



(2) Wlać olej do krawędzi otworu wlotu. (Patrz rys. 2 na poprzedniej stronie.)



(3) Solidnie dokręcić miarkę poziomu oleju. Zbyt słabe dokręcenie może spowodować wyciek oleju.

## Punkt 2 - Wymiana oleju: "Jeżeli olej się wyleje"

- Jeżeli olej wyleje się pomiędzy zbiornikiem paliwa a modułem głównym silnika, zostanie zassany przez otwór wlotowy powietrza chłodzenia, co spowoduje zanieczyszczenie silnika. Przed uruchomieniem urządzenia upewnić się, że rozlany olej został wytarty.

## TANKOWANIE

### Obchodzenie się z paliwem

Obchodzić się z paliwem z zachowaniem maksymalnej ostrożności. Paliwa mogą zawierać substancje podobne do rozpuszczalników. Uzupelnianie paliwa należy przeprowadzać wyłącznie w dobrze wentylowanych pomieszczeniach lub na świeżym powietrzu. Nigdy nie wdychać oparów paliwa i trzymać je jak najdalej od siebie. Wielokrotny lub długotrwały kontakt skóry z paliwem powoduje jej wysuszenie i może doprowadzić do choroby skórnej lub alergii. W przypadku dostania się paliwa do oczu należy je obficie przemyć czystą wodą. Jeżeli oczy są nadal podrażnione, natychmiast zasięgnąć porady lekarskiej.

### Okres przechowywania paliwa

Paliwo należy zużyć w ciągu 4 tygodni, nawet jeżeli jest ono przechowywane w specjalnym kanistrze, w dobrze wentylowanym i zacienionym miejscu.

Jeżeli nie używa się specjalnego kanistra lub nie jest on zakryty, jakość paliwa może się pogorszyć w ciągu jednego dnia.

## PRZECHOWYWANIE URZĄDZENIA I KANISTRA NA PALIWO

- Urządzenie oraz kanister na paliwo należy przechowywać w chłodnym miejscu, z dala od bezpośredniego promieniowania słonecznego.
- Nigdy nie przechowywać paliwa w kabinie lub bagażniku.

## Filtr

W urządzeniu zainstalowany jest silnik czterosuwowy. Należy się upewnić, że używa się benzyny samochodowej (zwykłej lub premium).

## Zalecenia dotyczące paliwa

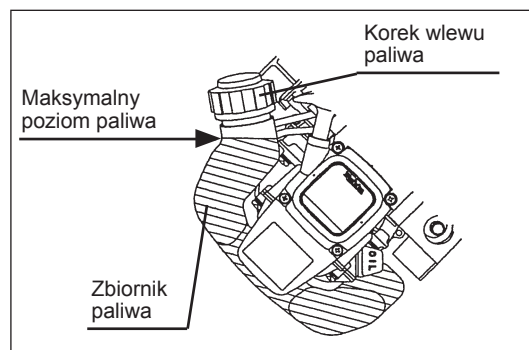
- Nigdy nie używać mieszanki paliwa zawierającej olej silnikowy. W przeciwnym wypadku doszłoby do nadmiernego gromadzenia się węgla lub usterek mechanicznych.
- Stosowanie oleju złej jakości powoduje problemy z silnikiem.

## Tankowanie

### OSTRZEŻENIE: SUBSTANCJE ŁATWOPALNE SUROWO WZBRONIONE

**Używana benzyna:** Benzyna samochodowa (bezołowiowa)

- Odkręcić lekko korek wlewu, aby nie było różnicy w ciśnieniu atmosferycznym.
  - Zdjąć korek wlewu, napelnić zbiornik paliwem i lekko go przechylić w celu usunięcia powietrza tak, aby otwór wlewu skierowany był do góry. (Nigdy nie wlewać paliwa do otworu wlewu oleju.)
  - Wytrzeć powierzchnię wokół korka wlewu, aby zapobiec przedostaniu się zanieczyszczeń do zbiornika paliwa.
  - Po napełnieniu starannie dokręcić korek wlewu paliwa.
- W przypadku zauważenia pęknięcia lub uszkodzenia korka wlewu należy go wymienić.
  - Korek wlewu jest częścią podlegającą zużyciu, dlatego należy go wymieniać co dwa-trzy lata.



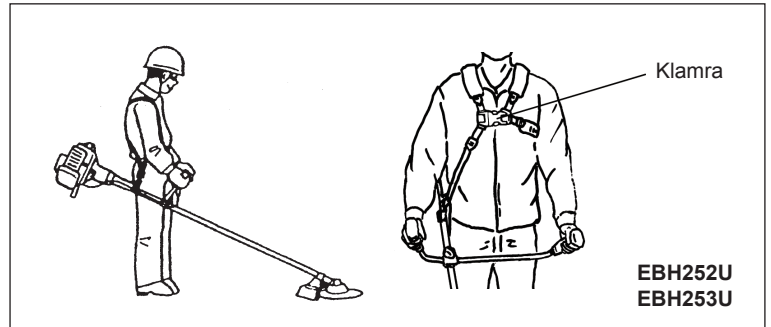
## PRAWIDŁOWA OBSŁUGA URZĄDZENIA

### Zaczeplanie paska naramiennego

- Wyregulować długość paska tak, aby ostrze tnące znajdowało się w położeniu równoległym do podłoża.

#### Dla modelu EBH252U, EBH253U

UWAGA: Należy uważać, aby nie przyciąć odzieży itp., w klamrze.

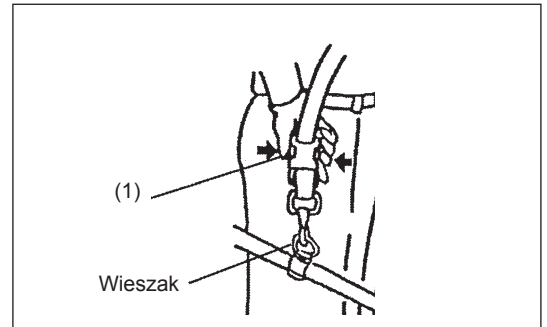


### Odłączanie

#### Dla modelu EBH252L, EBH253L

- W razie niebezpieczeństwa wcisnąć wcięcia (1) po obu stronach, aby odcepić urządzenie. Należy zachować maksymalną ostrożność, aby nie utracić kontroli nad urządzeniem. Nie dopuścić, aby urządzenie odchyliło się w stronę użytkownika lub jakiegokolwiek innej osoby przebywającej w pobliżu.

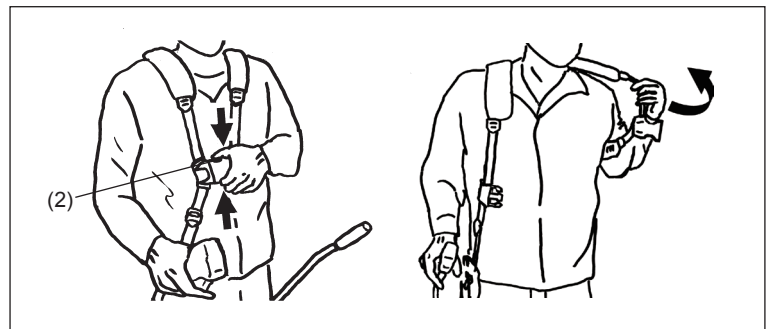
OSTRZEŻENIE: Niezachowanie całkowitej kontroli nad urządzeniem może spowodować poważne obrażenia lub ŚMIERĆ.



#### Dla modelu EBH252U, EBH253U

- W razie niebezpieczeństwa wcisnąć wcięcia (2) po obu stronach, aby odcepić urządzenie. Należy zachować maksymalną ostrożność, aby nie utracić kontroli nad urządzeniem. Nie dopuścić, aby urządzenie odchyliło się w stronę użytkownika lub jakiegokolwiek innej osoby przebywającej w pobliżu.

OSTRZEŻENIE: Niezachowanie całkowitej kontroli nad urządzeniem może spowodować poważne obrażenia lub ŚMIERĆ.



## URUCHAMIANIE I WYŁĄCZANIE URZĄDZENIA

Przestrzegać stosownych przepisów przeciwwypadkowych!

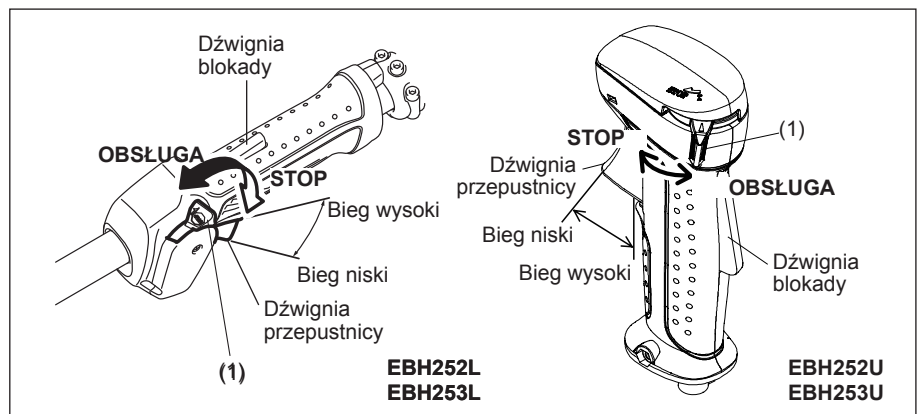


### ROZRUCH

Odsunąć się z urządzeniem na odległość min. 3 m od miejsca tankowania. Umieścić kosę spalinową na czystym podłożu tak, aby narzędzie tnące nie stykało się z ziemią ani z żadnym innym przedmiotem.

#### A: Zimny start

- 1) Ustawić urządzenie na płaskiej powierzchni.

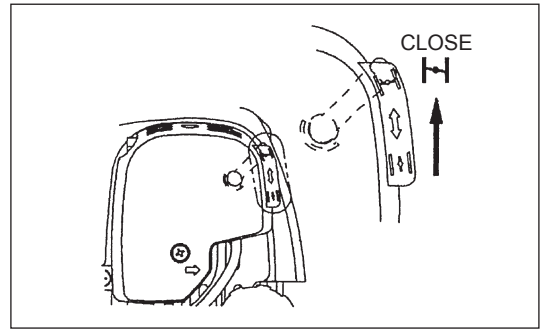


2) Ustawić przełącznik I-O (1) w położenie PRACY.

3) Dźwignia ssania  
Zamknąć dźwignię ssania.

Otwarcie dźwigni ssania:

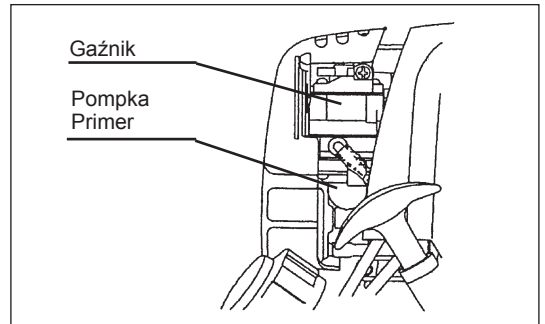
- Całkowite zamknięcie na zimno lub gdy silnik jest zimny.
- Pełne lub połowiczne otwarcie przy ponownym rozruchu bezpośrednio po wyłączeniu.



4) Pompka Primer

Naciskać pompkę, dopóki paliwo nie wejdzie do pompki zastrzykowej. (Z reguły paliwo wchodzi do pompki zastrzykowej po około 7-10 ruchach.)

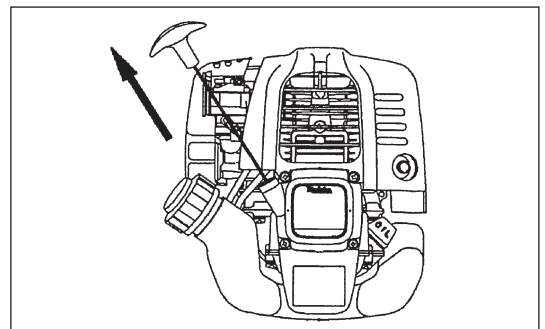
W przypadku nadmiernego wciskania pompki zastrzykowej nadmiar benzyny powraca do zbiornika paliwa.



5) Rozrusznik mechaniczny

Pociągać delikatnie za gałkę aż do napotkania na opór (punkt sprężenia). Następnie cofnąć gałkę rozrusznika i mocno ją pociągnąć.

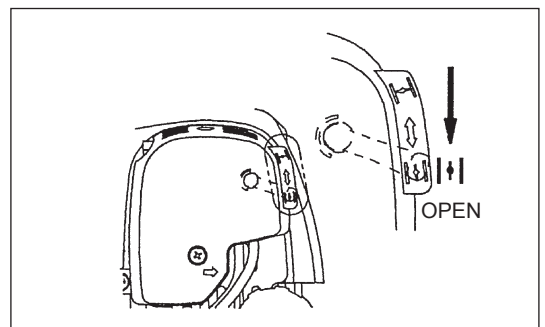
Nigdy nie ciągnąć linki do oporu. Po pociągnięciu uchwyty rozrusznika nigdy nie zwalniać natychmiast chwytu dłoni. Trzymać uchwyt, dopóki nie powróci do położenia pierwotnego.



6) Dźwignia ssania

Po uruchomieniu silnika otworzyć dźwignię ssania.

- Otwierać dźwignię ssania stopniowo, równocześnie sprawdzając pracę silnika. Upewnić się, że dźwignia ssania została całkowicie otwarta.
- Przy rozruchu na zimno lub po ostygnięciu silnika nigdy nie otwierać dźwigni ssania w gwałtowny sposób. W przeciwnym wypadku może dojść do zgaśnięcia silnika.



7) Rozgrzewanie

Kontynuować rozgrzewanie przez 2-3 minuty.

Uwaga: – Jeżeli uchwyt rozrusznika jest wielokrotnie pociągany, gdy dźwignia ssania pozostaje w położeniu zamkniętym ("CLOSE"), wystąpią trudności z uruchomieniem silnika, spowodowane nadmiernym zassaniem paliwa.

- W przypadku nadmiernego zassania paliwa wyjąć świecę zapłonową i pociągnąć powoli uchwyt rozrusznika, aby usunąć nadmiar paliwa. Osuszyć również odcinek elektrody na świecy zapłonowej.

### Środki ostrożności podczas tej czynności:

Jeżeli dźwignia ssania jest całkowicie otwarta, gdy urządzenie pracuje na biegu jałowym, prędkość silnika wzrośnie do 10 000 min<sup>-1</sup> lub więcej. Nigdy nie pracować z wyższą prędkością silnika, niż jest to konieczne i przy prędkości ok. 6 000 - 8 500 min<sup>-1</sup>.

## B: Rozruch na ciepło

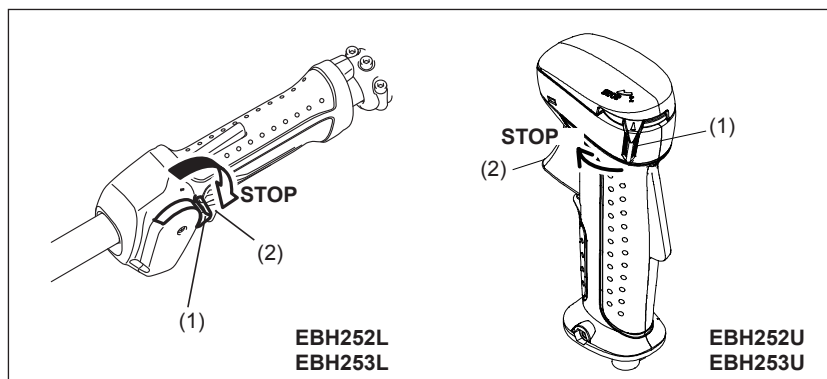
- 1) Wcisnąć kilka razy pompkę zastrzykową.
- 2) Trzymać dźwignię przepustnicy w położeniu biegu jałowego.
- 3) Mocno pociągnąć rozrusznik mechaniczny.
- 4) W razie trudności z rozruchem silnika otworzyć przepustnicę o około 1/3. Zwracać uwagę na ostrze tnące, które może się zacząć obracać.

### Uwaga

Gdy silnik jest obrócony, z tłumika może się wydobywać biały dym.

## ZATRZYMYWANIE

- 1) Całkowicie zwolnić dźwignię przepustnicy (2), a po obniżeniu prędkości obrotowej silnika ustawić przełącznik I-O w położenie STOP; silnik zatrzyma się.
- 2) Należy pamiętać, że głowica tnąca może się jeszcze przez chwilę obracać; odczekać, aż się całkowicie zatrzyma.

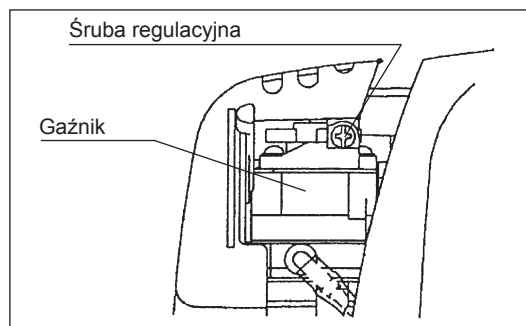


## REGULACJA OBROTÓW NA BIEGU WOLNYM (JAŁOWYM)

W razie potrzeby wyregulować obroty jałowe przy pomocy śruby nastawczej gaźnika.

## KONTROLA OBROTÓW NA BIEGU WOLNYM

- Ustawić obroty na biegu wolnym na 3 000 min<sup>-1</sup>.  
W razie konieczności zmiany prędkości obrotowej wyregulować śrubę nastawczą (pokazaną po prawej stronie) śrubokrętem krzyżakowym.
- Obrócenie śruby nastawczej w prawo spowoduje zwiększenie prędkości obrotowej silnika. Obrócenie śruby nastawczej w lewo spowoduje zmniejszenie prędkości obrotowej silnika.
- Z reguły gaźnik regulowany jest przed wysyłką. W razie konieczności jego ponownego wyregulowania skontaktować się z autoryzowanym serwisem.



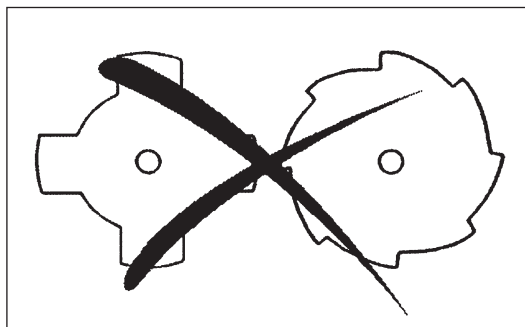
## OSTRZENIE NARZĘDZIA TNĄCEGO



UWAGA: Wymienione poniżej narzędzia tnące mogą być ostrzone wyłącznie w autoryzowanym serwisie. Ostrzenie ręczne spowodowałoby brak wyważenia narzędzia tnącego, powodujący szkodliwe drgania i uszkodzenie urządzenia.

- ostrze tnące  
Usługa ostrzenia i wyważania ostrza oferowana jest przez autoryzowane serwisy.

UWAGA: W celu przedłużenia żywotności ostrza można go obrócić jeden raz i korzystać z niego, dopóki nie stępią się obie krawędzie tnące.



## NYLONOWA GŁOWICA TNĄCA

Nylonowa głowica tnąca jest głowicą przycinarki z podwójną żyłką, umożliwiającą zarówno pracę automatyczną, jak i działanie w trybie "bump & feed".

Nylonowa głowica tnąca automatycznie uwalnia prawidłową długość żyłki nylonowej przy zmianie siły odśrodkowej spowodowanej przez zwiększenie lub zmniejszenie prędkości obrotowej silnika. W celu efektywniejszego ścinania miękkiej trawy można jednak lekko uderzyć głowicę o ziemię, aby wysunąć więcej żyłki, zgodnie z zaleceniami podanymi w rozdziale dotyczącym obsługi.

### Obsługa

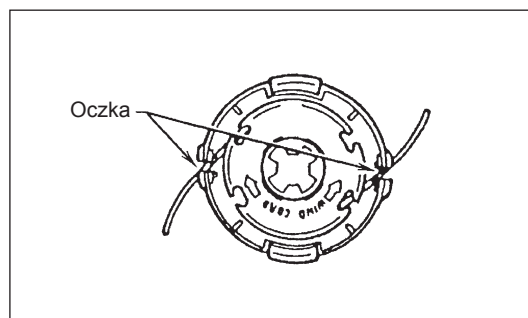
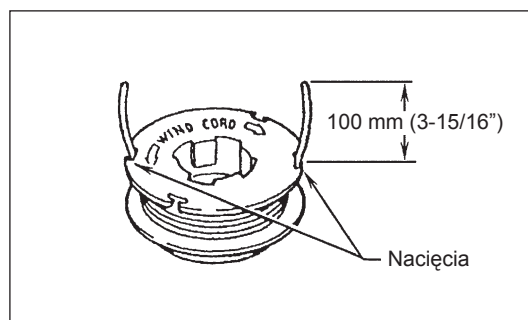
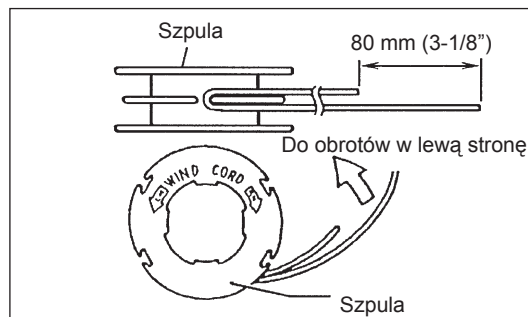
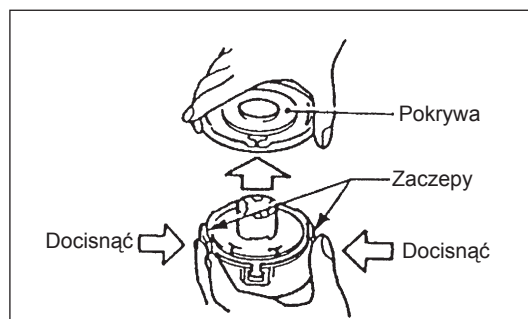
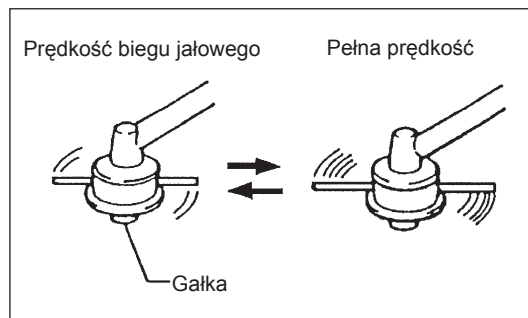
- Zwiększyć prędkość nylonowej głowicy tnącej do ok. 6 000 min<sup>-1</sup>. Niska prędkość (poniżej 4 800 min<sup>-1</sup>) nie jest odpowiednia, gdyż nie zapewni prawidłowego wysuwania żyłki nylonowej.
- Najefektywniejszy obszar cięcia pokazany jest jako zacieniona część.

Jeżeli nylonowa żyłka nie wysuwa się automatycznie, należy:

1. Zwolnić dźwignię przepustnicy, aby uruchomić silnik na biegu jałowym, po czym całkowicie przekręcić dźwignię. Powtarzać tę procedurę, dopóki nylonowa żyłka nie wysunie się na odpowiednią długość.
2. Jeżeli nylonowa żyłka jest zbyt krótka, aby mogła się wysunąć automatycznie po wykonaniu powyższej procedury, należy uderzyć głowicą o ziemię, aby spowodować wysunięcie żyłki.
3. Jeżeli procedura nr 2 nie spowoduje wysunięcia się żyłki, należy ponownie nawinąć/wymienić żyłkę zgodnie z procedurą opisaną w punkcie "Wymiana nylonowej żyłki".

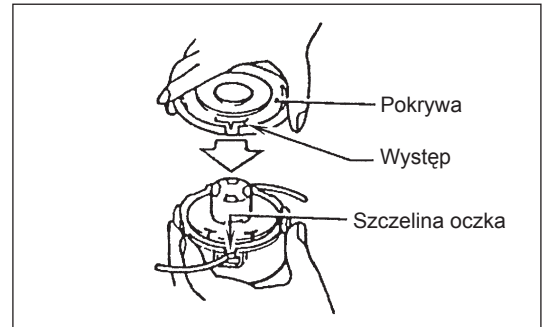
### Wymiana nylonowej żyłki

- Najpierw zatrzymać silnik.
- Wcisnąć zaczepy na obudowie do środka, aby podnieść pokrywę i wyjąć szpulę.
- Zaczepić środek nowej nylonowej żyłki w nacięciu na środku szpuli tak, aby jeden koniec żyłki był dłuższy od drugiego o około 80 mm (3-1/8"). Następnie nawinąć oba końce wokół szpuli w kierunku obrotów głowicy (symbol LH oznacza obroty w lewo, natomiast symbol RH obroty w prawo).
- Nawinąć całą żyłkę, pozostawiając tylko 100 mm (3-15/16") i zaczepiając tymczasowo koniec na wcięciu z boku szpuli.
- Zamontować szpulę w obudowie tak, aby rowki i występy na szpuli pokrywały się z tymi na obudowie. Ustawić szpulę tak, aby u góry były zawsze widoczne znajdujące się na niej litery. Teraz należy odzepić końce żyłki z ich tymczasowej pozycji i wsunąć żyłki w oczka tak, aby wychodziły z obudowy.





- Wyrównać występ w spodniej stronie pokrywy z szczelinami oczek. Następnie wcisnąć mocno pokrywę na obudowę, aż zaskoczy.



## KONSERWACJA I NAPRAWY

**UWAGA:** Przed przystąpieniem do jakichkolwiek prac w obrębie kosi spalinowej zawsze wyłączyć silnik i wyjąć zatyczkę świecy zapłonowej (patrz rozdział "Kontrola świecy zapłonowej").  
Zawsze nosić rękawice ochronne!

Aby zapewnić długą żywotność urządzenia i zapobiec jego uszkodzeniu, należy regularnie wykonywać wymienione poniżej czynności.

### Codzienna kontrola i konserwacja

- Przed przystąpieniem do pracy sprawdzić urządzenie pod kątem obluzowanych śrub lub brakujących części. Zwrócić szczególną uwagę na zamocowanie ostrza tnącego lub nylonowej głowicy tnącej.
- Przed przystąpieniem do pracy sprawdzić przewód powietrza chłodzącego pod kątem zatkania oraz stan żeberek cylindra. W razie potrzeby wyczyścić je.
- Po zakończeniu pracy z urządzeniem wykonać każdorazowo następujące czynności:
  - Oczyszczyć z zewnątrz kosę spalinową i sprawdzić urządzenie pod kątem uszkodzeń.
  - Oczyszczyć filtr powietrza. Podczas pracy w szczególnie zapyłonym otoczeniu czyścić filtr kilka razy dziennie.
  - Sprawdzić ostrze lub nylonową głowicę tnącą pod kątem uszkodzeń i upewnić się, że jest solidnie zamontowana.
  - Sprawdzić, czy jest zachowana wystarczająca różnica pomiędzy prędkością na biegu jałowym a prędkością włączenia, aby się upewnić, że na biegu jałowym narzędzie tnące nie obraca się (w razie potrzeby zmniejszyć prędkość biegu jałowego). Jeżeli na biegu jałowym urządzenie nadal się obraca, skonsultować się z najbliższym autoryzowanym serwisem.
- Sprawdzić działanie przełącznika I-O, dźwigni blokującej, dźwigni sterowniczej i przycisku blokady.

### WYMIANA OLEJU SILNIKOWEGO

Olej silnikowy złej jakości znacznie skraca żywotność silnika. Należy regularnie sprawdzać stan oleju i uzupełniać go, a w razie potrzeby wymieniać.



**UWAGA:** Zasadniczo silnik i olej silnikowy pozostają gorące jeszcze przez jakiś czas po wyłączeniu silnika. Przed przystąpieniem do wymiany oleju należy się upewnić, że silnik i olej silnikowy wystarczająco ostygły. W przeciwnym wypadku istnieje ryzyko poparzenia.

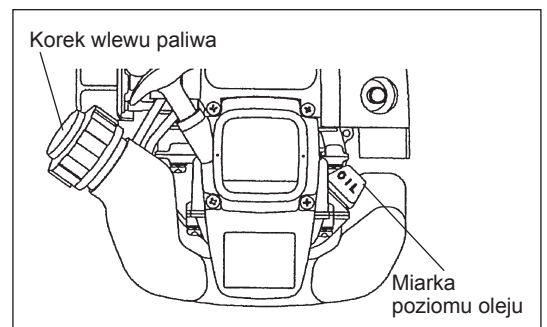
**Uwaga:** W przypadku wiania nadmiernej ilości oleju może dojść do jego zanieczyszczenia lub zapalenia, przy którym pojawi się biały dym.

**Częstotliwość wymiany:** Na początku po każdych 20 godzinach pracy, a następnie po każdych 50 godzinach pracy

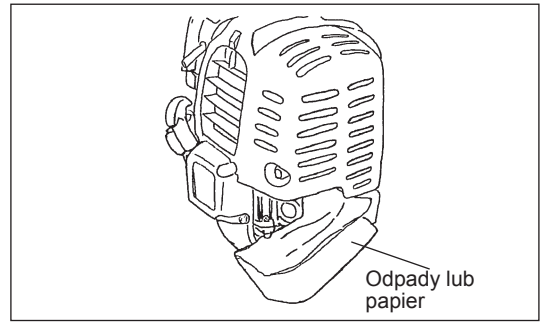
**Zalecany olej:** SAE 10W-30, klasyfikacja API, klasa SF lub wyższa (4-suwowy silnik samochodowy)

Podczas wymiany wykonać następującą procedurę.

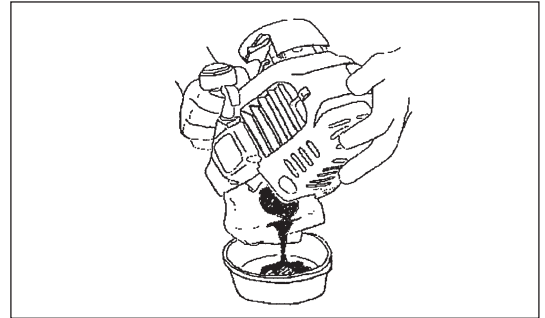
- 1) Upewnić się, że korek zbiornika jest mocno dokręcony.
- 2) Odkręcić miarkę poziomu oleju.  
Nie dopuścić do zabrudzenia miarki poziomu oleju.



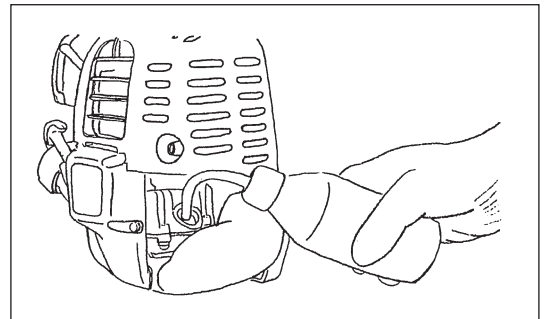
3) Umieścić odpady lub papier blisko otworu wlewu oleju.



4) Wyjąć miarkę poziomą oleju, spuścić olej, przechylając moduł główny w kierunku otworu wlewu oleju. Spuścić olej do przygotowanego wcześniej pojemnika.



5) Trzymać silnik w wyrównanej pozycji i wlać olej do krawędzi otworu wlewu. Przy ponownym napełnianiu użyć pojemnika do uzupełniania oleju.  
6) Po napełnieniu solidnie dokręcić miarkę poziomą oleju. Niedostateczne dokręcenie miarki poziomu oleju może spowodować wyciek oleju.



### WSKAZUJE NA OLEJ

- Nigdy nie wylewać zużytego oleju do ścieków, gleby lub pojemnika na odpady. Utylizacja oleju jest uregulowana odpowiednimi przepisami prawnymi. Olej należy zawsze utylizować zgodnie z takimi przepisami. W razie pytań lub wątpliwości skontaktować się z autoryzowanym serwisem.
- Jakość oleju ulega pogorszeniu, nawet jeżeli nie jest on używany. Regularnie przeprowadzać kontrolę i wymiany (wymieniać olej na nowy co 6 miesięcy).

### CZYSZCZENIE FILTRA POWIETRZA



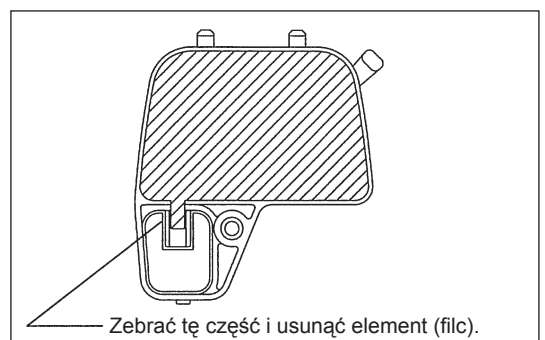
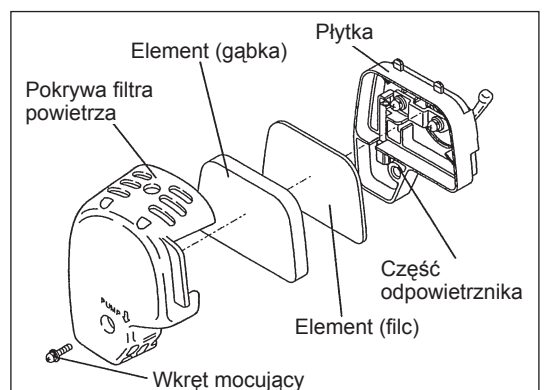
**NIEBEZPIECZEŃSTWO: SUBSTANCJE ŁATWOPALNE SUROWO WZBRONIONE**

**Częstotliwość czyszczenia i kontroli: Codziennie (po każdych 10 godzinach pracy)**

- Obrócić dźwignię dławika w położenie całkowicie zamknięte i chronić gaźnik przed kurzem i zabrudzeniami.
- Wyjąć śruby mocujące pokrywę filtra powietrza.
- Pociągnąć za dolną część pokrywy i odczepić ją.
- Jeżeli do elementu (gąbki) przylega paliwo, należy go usunąć.
- W przypadku mocnych zabrudzeń:
  - 1) Wyjąć element (gąbkę), zanurzyć w ciepłej wodzie lub roztworze neutralnego detergentu i całkowicie wysuszyć.
  - 2) Wyczyścić element (filc) benzyną i całkowicie osuszyć.
- Przed założeniem elementu upewnić się, że jest całkowicie suchy. Niedostateczne wysuszenie elementu może utrudniać rozruch.
- Wytrzeć szmatą olej wokół pokrywy filtra oleju i odpowietznika.
- Natychmiast po zakończeniu czyszczenia nałożyć pokrywę filtra i przykręcić ją śrubami mocującymi. (przy ponownym montażu najpierw umieścić górny zaczepek, a następnie dolny.)

### Konserwacja elementu filtra powietrza

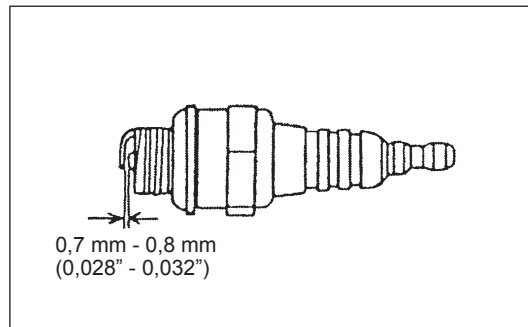
- W przypadku nadmiernego zapylenia czyścić element kilka razy dziennie.
- Kontynuacja pracy z niewyczyszczonym elementem filtra powietrza może spowodować uszkodzenie silnika.



## KONTROLA ŚWIECY ZAPŁONOWEJ

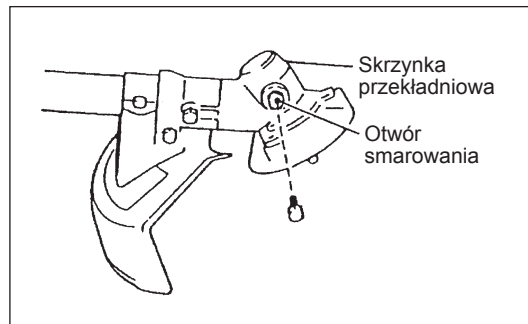
- Do montażu i demontażu świecy zapłonowej należy używać tylko dostarczonego klucza uniwersalnego.
- Odstęp pomiędzy dwiema elektrodami świecy zapłonowej powinien wynosić 0,7 - 0,8 mm (0,028" - 0,032"). Jeżeli odstęp jest zbyt duży lub zbyt mały, należy go wyregulować. Jeżeli świeca zapłonowa jest zatkana lub zanieczyszczona, należy ją dokładnie wyczyścić lub wymienić.

UWAGA: Nigdy nie dotykać łącznika świecy zapłonowej przy włączonym silniku (wysokie napięcie, ryzyko porażenia prądem).



## WPROWADZANIE SMARU DO SKRZYNKI PRZEKŁADNIOWEJ

- Wpuszczać smar (Shell Alvania 2 lub równorzędny) do skrzynki przekładniowej przez otwór co 30 godzin. (Oryginalny smar MAKITA jest dostępny w punktach sprzedaży produktów MAKITA.)

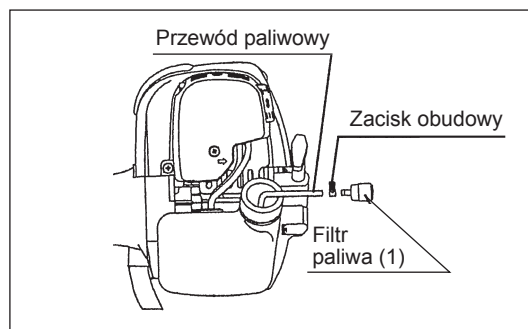


## CZYSZCZENIE FILTRA PALIWA OSTRZEŻENIE: SUBSTANCJE ŁATWOPALNE SUROWO WZBRONIONE

Częstotliwość czyszczenia i kontroli: Co miesiąc (po każdym 50 godzinach pracy)

### Głowica ssąca w zbiorniku paliwa

- Filtr paliwa (1) głowicy ssącej jest używany do filtrowania paliwa tłoczonego do gaźnika.
- Należy regularnie przeprowadzać kontrolę wzrokową filtra paliwa. W tym celu należy odkręcić korek zbiornika, użyć drucianego haka i wyciągnąć przez otwór głowicę ssącą. W przypadku stwardnienia, zanieczyszczenia lub zatkania filtra należy go wymienić.
- Niewystarczający dopływ paliwa może spowodować przekroczenie maksymalnej dopuszczalnej prędkości. Dlatego należy wymieniać filtr paliwa przynajmniej raz na kwartał, aby zapewnić dostateczny dopływ paliwa do gaźnika.

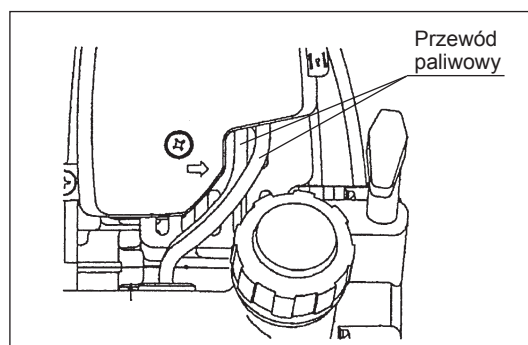


## WYMIANA PRZEWODU PALIWOWEGO UWAGA: SUBSTANCJE ŁATWOPALNE SUROWO WZBRONIONE

Częstotliwość czyszczenia i kontroli: Codziennie (po każdym 10 godzinach pracy)

Wymiana: Raz na rok (po każdym 200 godzinach pracy)

Przewód paliwowy należy wymieniać raz na rok niezależnie od częstotliwości użytkowania urządzenia. Wyciek paliwa może spowodować pożar. W razie wykrycia wycieku podczas kontroli natychmiast wymienić przewód doprowadzający olej.



## KONTROLA SWORZNI, NAKRĘTEK I ŚRUB

- Dokręcić poluzowane sworznie, nakrętki itp.
- Sprawdzić, czy nie dochodzi do wycieków paliwa i oleju.
- Ze względów bezpieczeństwa wymienić uszkodzone części na nowe.

## CZYSZCZENIE CZĘŚCI

- Zawsze utrzymywać silnik w czystości.
- Żeberka cylindra powinny być zawsze wolne od kurzu i brudu. Kurz lub zabrudzenia na żeberkach mogą spowodować zatarcie tłoka.

## WYMIANA USZCZELEK I PODKŁADEK

Podczas ponownego montażu silnika należy pamiętać o wymianie uszczelek i podkładek.

Wszelkie prace konserwacyjne i regulacyjne niewymienione w niniejszej instrukcji obsługi mogą być wykonywane wyłącznie przez autoryzowany serwis.

## PRZECHOWYWANIE



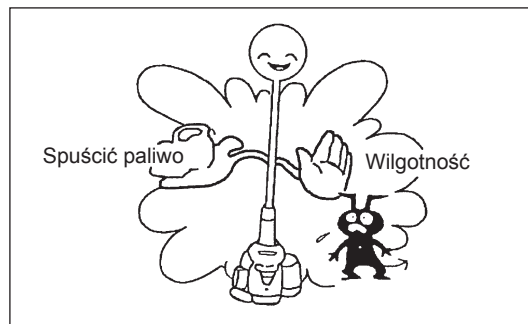
**OSTRZEŻENIE:** Przed przystąpieniem do spuszczenia paliwa upewnić się, że silnik się zatrzymał i ostygł.

Bezpośrednio po wyłączeniu silnika jest on nadal gorący, co stwarza ryzyko poparzenia i pożaru.



**UWAGA:** Jeżeli urządzenie ma pozostać nieużywane przez dłuższy czas, należy spuścić całe paliwo z baku i gaźnika i przechowywać je w suchym i czystym miejscu.

- Spuścić paliwo z baku i gaźnika zgodnie z poniższą procedurą:
  - 1) Zdjąć korek wlewu paliwa i całkowicie spuścić paliwo. Jeżeli w baku znajdują się jakiegokolwiek ciała obce, należy je usunąć.
  - 2) Wyciągnąć filtr paliwa z otworu wlewu przy pomocy drutu.
  - 3) Naciskać pompkę zastrzykową, dopóki paliwo nie zostanie spuszczone i spuścić paliwo napływające do zbiornika paliwa.
  - 4) Założyć ponownie filtr na zbiornik paliwa i dokręcić mocno korek.
  - 5) Następnie uruchomić silnik i poczekać aż sam się zatrzyma.
- Wyjąć świecę zapłonową i wpuścić kilka kropel oleju silnikowego w jej otwór.
- Delikatnie pociągnąć za uchwyt rozrusznika, aby olej został rozprowadzony po silniku, po czym wkręcić świecę zapłonową.
- Przymocować pokrywę do ostrza.
- Podczas przechowywania trzymać pręt w pozycji poziomej lub przechowywać urządzenie w pozycji pionowej z krawędzią ostrza zwróconą ku górze. (w tym przypadku należy uważać, aby urządzenie nie spadło.)  
Nigdy nie przechowywać urządzenia z krawędzią ostrza skierowaną w dół. Może to spowodować wylanie się oleju.
- Przechowywać spuszczone paliwo w specjalnym kanistrze, w dobrze wietrzonym i ocienionym miejscu.
- Zaleca się spuścić olej silnikowy przy okresach dłuższego przechowywania.



### Po długim okresie przechowywania

- Przed uruchomieniem urządzenia po długim przestoju upewnić się, że wymieniono się olej (patrz P 65). Podczas przestoju jakość oleju ulega pogorszeniu.

### Wyszukiwanie usterek

Usterka	System	Objaw	Przyczyna
Silnik nie uruchamia się lub uruchamia się z trudnością	System zapłonu	Iskra zapłonowa O.K.	Nieprawidłowe działanie układu paliwowego, systemu kompresji, usterka mechaniczna
		Brak iskry zapłonowej	Przełącznik STOP, błąd okablowania lub zwarcie, usterka świecy zapłonowej lub łącznika, niesprawny moduł zapłonu
	Doprowadzanie paliwa	Zbiornik paliwa napełniony	Nieprawidłowa pozycja dławika, uszkodzony gaźnik, zgięty lub zatkany przewód paliwowy, zanieczyszczone paliwo
	Sprężanie	Brak sprężania	Wadliwa uszczelka cylindra, uszkodzone uszczelki wału korbowego, wadliwe pierścienie cylindra lub tłoka, nieprawidłowe uszczelnienie świecy zapłonowej
Trudności podczas ciepłego startu	Usterka mechaniczna	Rozrusznik nie włącza się	Pęknięta sprężyna rozrusznika, uszkodzone części wewnątrz silnika
		Zbiornik napełniony, iskra zapłonowa występuje	Zanieczyszczony gaźnik; zlecić jego wyczyszczenie
Silnik uruchamia się, ale natychmiast gaśnie	Doprowadzanie paliwa	Zbiornik napełniony	Nieprawidłowa regulacja biegu jałowego, zanieczyszczony gaźnik  Wadliwe odpowietrzanie zbiornika paliwa, przerwany przewód doprowadzający paliwo, wadliwy kabel, wadliwy przełącznik STOP.
Niewystarczająca moc	Może to być spowodowane przez równoczesną awarię kilku systemów	Nieprawidłowa praca silnika na biegu jałowym	Zabrudzony filtr powietrza, zanieczyszczony gaźnik, zatkany tłumik, zatkany kanał wylotowy cylindra

Element	Czas pracy								Wylączenie/ prześciej	Odpowiadający P
		Przed użyciem	Po smarowaniu	Codziennie (10h)	30h	50h	200h			
Olej silnikowy	Sprawdzić/ Wyczyścić	○								59
	Wymienić					○*1				65
Części wymagające dokręcenia (sworzeń, nakrętka)	Sprawdzić	○								67
Zbiornik paliwa	Wyczyścić/ sprawdzić	○								—
	Spuścić paliwo							○*3		68
Dźwignia przepustnicy	Sprawdzić działanie		○							—
Przełącznik	Sprawdzić działanie		○							63
Ostrze tnące	Sprawdzić	○		○						57
Obroty na biegu niskim	Sprawdzić/ Wyregulować			○						63
Filtr powietrza	Wyczyścić			○						66
Świeca zapłonowa	Sprawdzić			○						67
Przewód powietrza chłodzącego	Wyczyścić/ sprawdzić			○						67
Przewód paliwowy	Sprawdzić			○						67
	Wymienić						⊙*2			—
Smar w skrzynce przekładniowej	Napełnić				○					67
Filtr paliwa	Wyczyścić/ Wymienić					○				67
Odstęp pomiędzy zaworem wlotowym i wylotowym powietrza	Wyregulować						⊙*2			—
Przegląd silnika							⊙*2			—
Gaźnik	Spuścić paliwo							○*3		68

\*1 Pierwsza wymiana powinna nastąpić po 20 godzinach pracy.

\*2 Po 200 godzinach pracy zlecić kontrolę autoryzowanemu serwisowi lub sprzedawcy.

\*3 Po opróżnieniu zbiornika paliwa uruchomić silnik i poczekać aż sam się zatrzyma.

## ZNAJDOWANIE I USUWANIE USTEREK

Przed zleceniem naprawy serwisowi należy samodzielnie sprawdzić urządzenie. W razie wykrycia usterki sprawdzić urządzenie zgodnie z opisem w niniejszej instrukcji obsługi. Nigdy nie manipulować ani nie demontować żadnej części w sposób niezgodny z opisem. W celu naprawy skontaktować się z autoryzowanym serwisem lub punktem sprzedaży.

Nieprawidłowy stan	Prawdopodobna przyczyna (usterki)	Rozwiązanie
Silnik nie uruchamia się	Nie można uruchomić pompki zastrzykowej	Nacisnąć 7-10 razy
	Zbyt wolne pociąganie linki rozrusznika	Pociągać mocniej
	Brak paliwa	Wlać paliwo
	Zatkany filtr paliwa	Wyczyścić
	Zgięty przewód paliwowy	Wyprostować przewód paliwowy
	Gorsza jakość paliwa	Gorsza jakość paliwa utrudnia rozruch. Wymienić paliwo na nowe. (Zalecana wymiana: 1 miesiąc)
	Nadmierne zasysanie paliwa	Ustawić dźwignię przepustnicy ze średniej prędkości na wysoką i pociągać uchwyt rozrusznika, dopóki silnik nie włączy się. <b>Po uruchomieniu silnika ostrze tnące zaczyna się obracać. Uważać na ostrze tnące.</b> Jeżeli silnik nie uruchomi się, wyjąć świecę zapłonową, osuszyć elektrodę i ponownie zamontować. Następnie uruchomić silnik zgodnie z zaleceniami.
	Odkręcony korek wlewu	Przymocować
	Zanieczyszczona świeca zapłonowa	Wyczyścić
	Nieprawidłowy odstęp świecy zapłonowej	Wyregulować odstęp
	Inna anomalia świecy zapłonowej	Wymienić
	Usterka gaźnika	Zlecić serwisowi kontrolę i konserwację.
	Nie można pociągnąć linki rozrusznika	Zlecić serwisowi kontrolę i konserwację.
	Usterka układu napędowego	Zlecić serwisowi kontrolę i konserwację.
Silnik gaśnie Prędkość silnika nie wzrasta	Niewystarczające nagrzanie	Rozgrzać silnik
	Dźwignia dławika jest ustawiona w pozycji zamkniętej ("CLOSE"), mimo że silnik jest nagrzany.	Przełączyć w położenie otwarte ("OPEN")
	Zatkany filtr paliwa	Wyczyścić
	Zanieczyszczony lub zatkany filtr powietrza	Wyczyścić
	Usterka gaźnika	Zlecić serwisowi kontrolę i konserwację.
	Usterka układu napędowego	Zlecić serwisowi kontrolę i konserwację.
Ostrze tnące nie obraca się ↓ Natychmiast zatrzymać silnik	Poluzowana nakrętka mocująca ostrze tnące	Mocno dokręcić
	Gałązki pochwycone przez ostrze lub pokrywę zapobiegającą rozpraszaniu.	Usunąć ciała obce
	Usterka układu napędowego	Zlecić serwisowi kontrolę i konserwację.
Nietypowe drgania modułu głównego ↓ Natychmiast zatrzymać silnik	Złamane, zgięte lub zużyte ostrze tnące	Wymienić ostrze tnące
	Poluzowana nakrętka mocująca ostrze tnące	Mocno dokręcić
	Przesunięta wypukła część ostrza tnącego i jego wspornika.	Przymocować
	Usterka układu napędowego	Zlecić serwisowi kontrolę i konserwację.
Ostrze tnące nie zatrzymuje się natychmiast ↓ Natychmiast zatrzymać silnik	Obroty przy dużej prędkości biegu jałowego	Wyregulować
	Odczepiony drut przepustnicy	Przymocować
	Usterka układu napędowego	Zlecić serwisowi kontrolę i konserwację.
Silnik nie zatrzymuje się ↓ Uruchomić silnik na biegu jałowym i ustawić dźwignię dławika w położenie zamknięte (CLOSE)	Odczepiony łącznik	Przymocować
	Usterka układu elektrycznego	Zlecić serwisowi kontrolę i konserwację.

Jeżeli silnik nie rusza po rozgrzaniu:

Jeżeli nie stwierdzono żadnej innej usterki, otworzyć przepustnicę o 1/3 i uruchomić silnik.

Vă mulțumim foarte mult pentru achiziționarea motocositoarei pe benzină MAKITA. Suntem încântați să vă recomandăm motocositoarea pe benzină MAKITA care este rezultatul unui program îndelungat de dezvoltare și al multor ani de cunoștințe și experiență. Vă rugăm să citiți această broșură care se referă în detaliu la diferitele aspecte care vor demonstra performanța extraordinară a motocoasei. Acesta vă va ajuta să obțineți cele mai bune rezultate de la motocositoarea pe benzină MAKITA.



Cuprins	Pagina
Simboluri.....	71
Instrucțiuni de siguranță .....	72
Date tehnice .....	76
Denumirea pieselor .....	78
Montarea mânerului.....	79
Montarea apărătorii .....	80
Montarea lamei de tăiere sau capului de tăiere din nylon .....	81
Înainte de folosire .....	82
Manipularea corectă a motocoasei.....	84
Aspecte privind folosirea și modul de oprire.....	84
Reascuțirea sculei de tăiere .....	86
Instrucțiuni de întreținere .....	88
Depozitarea .....	91

## SIMBOLURI

Veți observa următoarele simboluri atunci când citiți manualul de instrucțiuni.

	Citiți manualul de instrucțiuni și respectați avertizările și măsurile de precauție privind siguranța!		Interziceți accesul tuturor persoanelor și animalelor de companie în zona de funcționare!
	Acordați grijă și atenție specială!		Purtați cască de protecție, protecție pentru ochi și urechi!
	Interzis!		Turație maximă permisă a dispozitivului
	Păstrați distanța!		Carburant (Benzină)
	Pericol de obiecte proiectate!		Pornire manuală motor
	Nu fumați!		Oprire de urgență
	Focul interzis!		Primul ajutor
	Trebuie purtate mănuși de protecție!		PORNIT/START
	Purtați cizme robuste cu talpă antiderapantă. Sunt recomandate cizmele de siguranță cu bombeuri din oțel!		OPRIT/STOP
	Recul!		

# INSTRUCȚIUNI DE SIGURANȚĂ

## Instrucțiuni generale

- Citiți acest manual de instrucțiuni pentru a vă familiariza cu manipularea echipamentului. Utilizatorii insuficient informați se pun în pericol atât pe ei, cât și pe alții, din cauza manipulării greșite a echipamentului.
- Este recomandat să împrumutați echipamentul doar persoanelor care dovedesc experiență în utilizarea acestuia. Înmânați întotdeauna și manualul de instrucțiuni.
- Primii utilizatori trebuie să solicite distribuitorului instrucțiunile de bază pentru a se familiariza cu manipularea motocosoarei.
- Nu trebuie permisă operarea echipamentului de către copii și tineri sub 18 ani. Persoanele peste 16 ani pot totuși să utilizeze dispozitivul pentru a fi instruiți doar sub supravegherea unui instructor calificat.
- Utilizați echipamentul cu cea mai mare grijă și atenție.
- Operați echipamentul doar dacă sunteți într-o stare fizică bună. Executați fiecare lucrare cu calm și cu atenție. Utilizatorul trebuie să accepte că are răspunderi față de cei din jur.
- Este interzis să utilizați echipamentul după consumul de alcool sau medicamente, sau dacă sunteți obosit sau bolnav.
- Reglementările naționale pot restricționa utilizarea dispozitivului.

## Domeniul de utilizare a mașinii

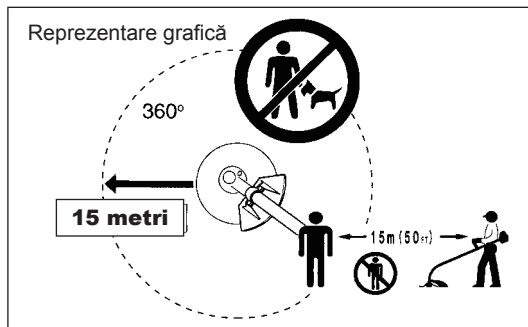
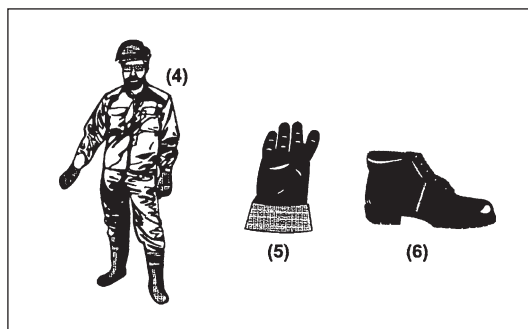
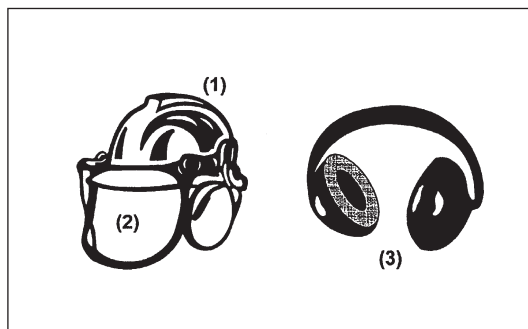
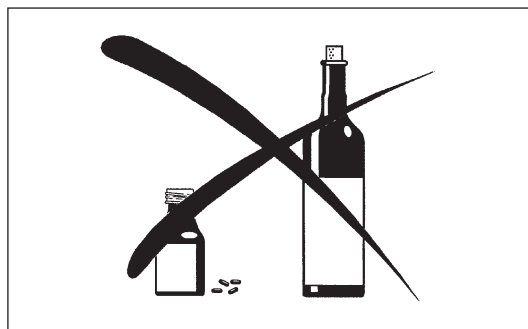
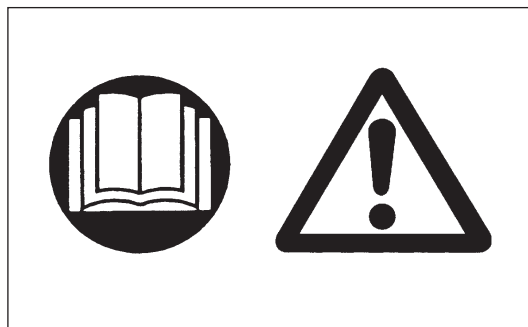
- Acest echipament este destinat doar tăierii ierbii, buruienilor, tufișurilor, arbuștilor. Nu trebuie utilizat în alte scopuri, cum ar fi tăierea șirurilor de tufișuri, deoarece pot apărea accidente.

## Echipament personal de protecție

- Îmbrăcămintea purtată trebuie să fie funcțională și adecvată, adică trebuie să fie bine ajustată dar să nu cauzeze disconfort. Nu purtați bijuterii sau haine care se pot agăța în tufișuri sau lăstăriș.
- Pentru a evita leziunile la cap, ochi, mâini sau picioare precum și pentru a vă proteja auzul, în timpul operării vor fi purtate următorul echipament de protecție și următoarea îmbrăcăminte de protecție.
- Purtați întotdeauna o cască acolo unde există riscul căderii de obiecte. Casca de protecție (1) trebuie verificată la intervale regulate pentru depistarea deteriorărilor și trebuie înlocuită după cel mult 5 ani. Utilizați numai căștile de siguranță omologate.
- Vizorul (2) al căștii (sau alternativ ochelarii de protecție) protejează fața de resturi și pietre proiectate. În timpul operării, purtați întotdeauna ochelari, sau un vizor pentru a preveni rănirea ochilor.
- Purtați echipament adecvat de protecție la zgomot, pentru a evita pierderea auzului (amortizoare pentru urechi (3), dopuri de urechi etc. ).
- Salopeta de lucru (4) protejează împotriva pietrelor și a resturilor proiectate. Recomandăm insistent ca utilizatorul să poarte salopetă de lucru.
- Mănușile (5) sunt o parte a echipamentului recomandat și trebuie întotdeauna purtate în timpul operării.
- Atunci când folosiți echipamentul, purtați întotdeauna încălțăminte robustă (6) cu talpă antiderapantă. Aceasta protejează împotriva rănilor și asigură un sprijin bun.

## Pornirea motocosoarei

- Vă rugăm să vă asigurați că nu există copii sau alte persoane pe o rază de lucru de 15 metri (50 ft), de asemenea, acordați atenție oricărui animal din apropierea zonei de lucru.
- Înainte de utilizare, asigurați-vă că echipamentul poate fi operat în siguranță: Verificați siguranța dispozitivului de tăiere, acționarea ușoară a manetei de accelerație și verificați funcționarea corectă a opritorului manetei de accelerație.
- Rotirea dispozitivului de tăiere la turația de ralanti nu este permisă. Apelați la distribuitorul dumneavoastră pentru reglare, dacă aveți dubii. Verificați dacă mânerul este curat și uscat și testați funcționarea comutatorului de pornire/oprire.



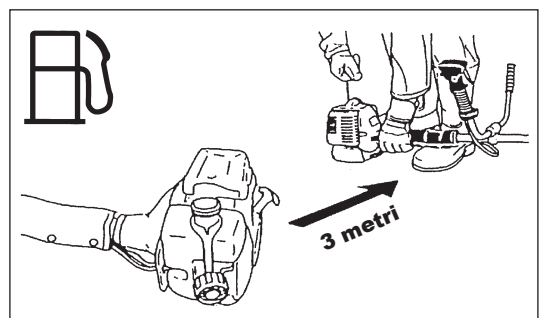
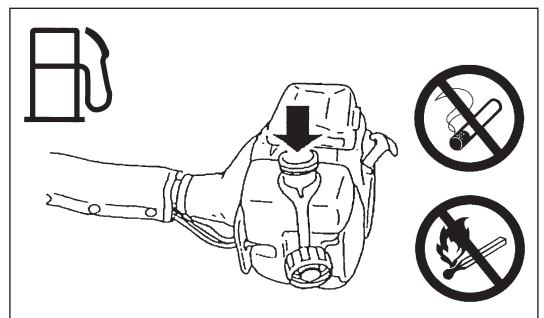
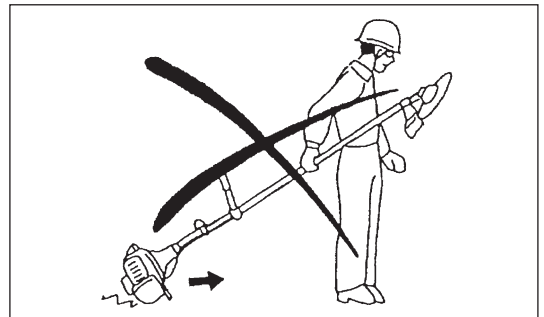
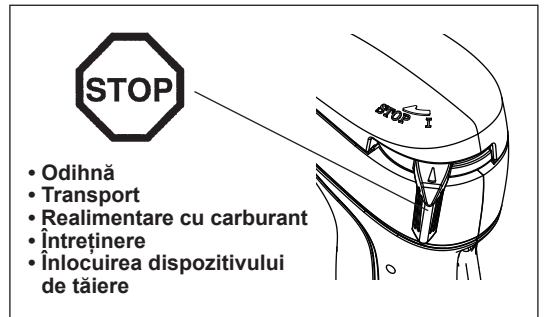
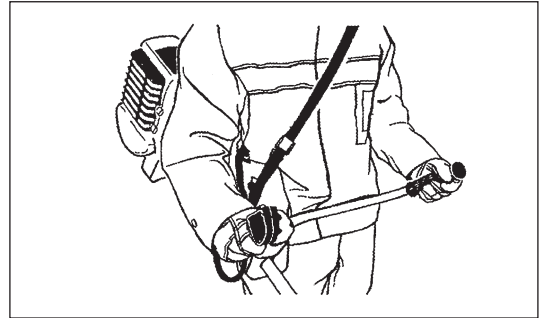
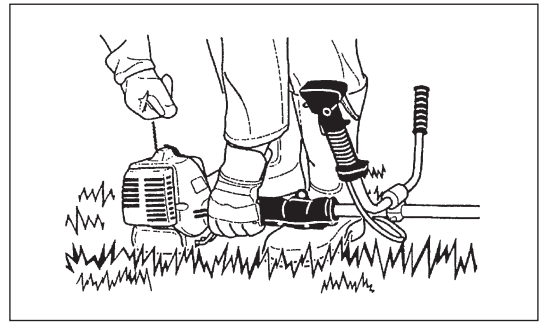


Porniți motocosoitoarea doar în conformitate cu instrucțiunile.

- Nu utilizați alte metode pentru pornirea motorului!
- Utilizați motocosoitoarea și sculele doar pentru aplicațiile specificate.
- Porniți motorul doar după montarea întregului ansamblu. Operarea dispozitivului este permisă doar după ce toate accesoriile adecvate sunt atașate!
- Înainte de pornire, asigurați-vă că dispozitivul de tăiere nu intră în contact cu obiecte dure precum crengi, pietre etc. , deoarece dispozitivul de tăiere se va roti la pornire.
- Motorul va trebui oprit imediat în cazul apariției oricăror probleme.
- În cazul în care dispozitivul de tăiere lovește pietre sau alte obiecte dure, opriți imediat motorul și inspectați dispozitivul de tăiere.
- Inspectați dispozitivul de tăiere la intervale regulate apropiate pentru a detecta eventuale deteriorări (detectarea fisurilor capilare cu ajutorul testul zgomotului la lovire ușoară).
- Dacă echipamentul suferă un impact puternic sau o cădere, verificați starea acestuia înainte de a continua lucrul. Verificați dacă sistemul de alimentare prezintă scurgeri și dacă dispozitivele de comandă și siguranță prezintă defecțiuni. Dacă există semne de deteriorări sau aveți dubii, contactați centrul nostru de service autorizat pentru inspecție și reparații.
- Operați echipamentul doar cu centura de umăr atașată, aceasta trebuind reglată corespunzător înainte de punerea motocosoitoarei în funcțiune. Este esențial să reglați centura de umăr conform staturii utilizatorului pentru a preveni apariția oboselii în timpul folosirii. Este interzis să țineți motocosoitoarea cu o singură mână în timpul utilizării.
- În timpul operării, țineți întotdeauna motocosoitoarea cu ambele mâini. Asigurați întotdeauna o stabilitate corespunzătoare.
- Operați echipamentul astfel încât să evitați inhalarea gazelor de eșapament. Este interzis să porniți motorul în încăperi închise (risc de otrăvire cu gaze). Monoxidul de carbon este un gaz fără miros.
- Opriți motorul atunci când vă odihniți și atunci când lăsați echipamentul nesupravegheat și amplasați-l într-o locație sigură pentru a preveni punerea în pericol a altor persoane sau deteriorarea motocosoitoarei.
- Este interzis să puneți motocosoitoarea fierbinte pe iarbă uscată sau pe orice materiale combustibile.
- Instalați întotdeauna pe echipament apărătoarea aprobată pentru dispozitivul de tăiere înainte de a porni motorul. În caz contrar, contactul cu dispozitivul de tăiere poate cauza accidente grave.
- Toate instalațiile de protecție și apărătoarele furnizate împreună cu motocosoitoarea trebuie utilizate în timpul operării.
- Este interzisă operarea motorului cu toba de eșapament defectă.
- Opriți motorul în timpul transportului.
- La transportarea echipamentului, atașați întotdeauna capacul pe lama de tăiere.
- Asigurați poziția sigură a echipamentului în timpul transportului auto pentru a evita scurgerea de carburant.
- Atunci când transportați echipamentul, asigurați-vă că rezervorul de carburant este complet gol.
- Când descărcați echipamentul din camion, este interzisă scăparea motorului pe sol, deoarece aceasta poate deteriora grav rezervorul de carburant.
- Excepționând cazurile de urgență, evitați scăparea sau aruncarea echipamentului la sol, deoarece acest lucru ar putea duce la defectarea serioasă a acestuia.
- Amintiți-vă să ridicați tot echipamentul de la sol atunci când mutați echipamentul. Tragerea pe jos a rezervorului de carburant este foarte periculoasă și va cauza deteriorarea și scurgerea de carburant, putând cauza incendii.

## Realimentare cu carburant

- Opriți motorul în timpul realimentării, nu vă apropiați de foc deschis și nu fumați.
- Evitați contactul pielii cu produse pe bază de ulei mineral. Nu inhalați vapori de carburant. Purați întotdeauna mănuși de protecție când realimentați. Schimbați și curățați îmbrăcămintea de protecție la intervale regulate.
- Aveți grijă să nu vărsați carburant sau ulei pentru a preveni contaminarea solului (protecția mediului). Curățați motocosoitoarea imediat după ce carburantul a fost vărsat.
- Evitați orice contact al carburantului cu îmbrăcămintea dvs. Schimbați-vă hainele imediat dacă s-a vărsat carburant pe ele (pentru a preveni aprinderea hainelor).
- Inspectați bușonul de alimentare cu carburant la intervale regulate, asigurându-vă că este bine fixat și nu prezintă scurgeri.
- Strângeți cu grijă bușonul rezervorului de carburant. Schimbați locația pentru a porni motorul (cel puțin 3 metri distanță de locul realimentării cu carburant).
- Este interzis să realimentați cu carburant în încăperi închise. Vaporii de carburant se acumulează la nivelul solului (risc de explozii).
- Transportați și depozitați carburantul doar în recipiente aprobate. Asigurați-vă că acest carburant depozitat nu este accesibil copiilor.



## Metodă de operare

- Utilizați doar în condiții bune de lumină și vizibilitate. În timpul sezonului de iarnă, ferțiți-vă de zonele alunecoase sau umede, de gheață și zăpadă (risc de alunecare). Asigurați întotdeauna o stabilitate corespunzătoare.
- Nu tăiați niciodată deasupra nivelului taliei.
- Nu stați niciodată pe o scară.
- Nu vă urcați în copaci pentru a efectua operația de tăiere.
- Nu lucrați niciodată pe suprafețe instabile.
- Îndepărtați nisipul, pietrele, cuiele etc. din zona de lucru. Particulele străine pot deteriora dispozitivul de tăiere și poate cauza reculuri periculoase.
- Înainte să începeți tăierea, dispozitivul de tăiere trebuie să fi atins viteza maximă de lucru.
- Când utilizați lame metalice, balansați motocosoitoarea uniform în semicercuri de la dreapta la stânga, ca și cum ați utiliza o coasă clasică. În cazul în care iarbă sau crengi sunt prinse între dispozitivul de tăiere și apărătoare, opriți întotdeauna motorul înainte de curățare. În caz contrar, rotirea accidentală a lamei poate cauza accidentări grave.
- Odihniți-vă pentru a preveni pierderea controlului din cauza oboselii. Vă recomandăm să luați o pauză de 10-20 de minute la fiecare oră.

## Dispozitive de tăiere

- Utilizați un dispozitiv de tăiere corect pentru lucrarea în curs. Capetele de tăiere cu nylon (capete de motocosoitoare cu fir) sunt adecvate pentru tunderea gazonului. Lamele metalice sunt adecvate pentru tăierea buruienilor, ierburilor înalte, tufişurilor, lăstărişului, subarboretului, hăţişului și altor ierburi asemănătoare. Nu utilizați niciodată alte lame, inclusive lanțuri rotative metalice din mai multe componente și lame de îmblăciu. În caz contrar, există pericolul de accidentări grave.
- Când utilizați lame metalice, evitați “reculul” și pregătiți-vă întotdeauna pentru un recul accidental. Consultați secțiunea “Reculul” și “Prevenirea reculului”.

## Recul (șoc lamă)

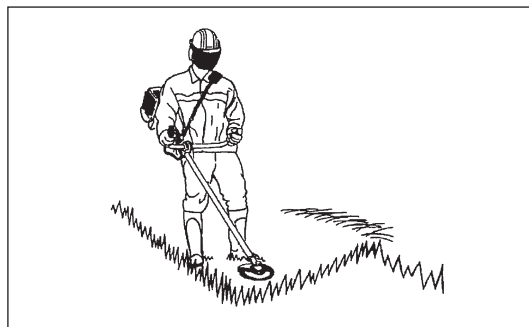
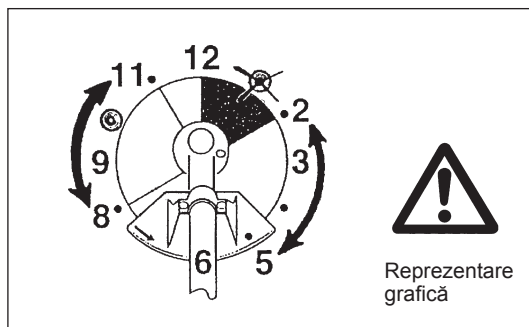
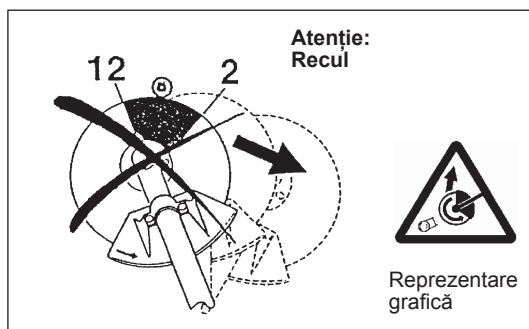
- Reculul (șoc lamă) reprezintă o reacție bruscă în cazul unei lame de tăiere prinse sau blocate. Când apare, echipamentul este aruncat în lateral sau înapoi operator cu forță mare și poate provoca vătămări corporale grave.
- Reculul apare în special când aplicați segmentul de lamă ce corespunde unghiurilor formate de ora 12 cu ora 2 pe cadranul unui ceas la materiale dure, tufişuri și arbori cu diametru de 3 cm sau mai mare.
- Pentru a evita reculul:
  - Aplicați segmentul ce corespunde unghiului format de ora 8 cu ora 11 pe cadranul unui ceas;
  - Nu aplicați niciodată segmentul ce corespunde unghiului format de ora 12 cu ora 2 pe cadranul unui ceas;
  - Nu aplicați niciodată segmentul ce corespunde unghiurilor formate de ora 11 cu ora 12 și de ora 2 cu ora 5 pe cadranul unui ceas decât dacă operatorul este bine instruit și experimentat și face acest lucru pe propriu risc;
  - Nu utilizați niciodată lamele de tăiere în apropierea materialelor dure precum gardurile, pereții, trunchiurile de copaci și pietrele;
  - Nu utilizați niciodată lamele de tăiere vertical pentru operații ca cele de bordurare sau tundere a gardurilor vii.

## Vibrații

- Persoanele cu probleme circulatorii expuse la vibrații excesive pot suferi leziuni ale vaselor sanguine sau ale sistemului nervos. Vibrațiile pot provoca următoarele simptome la nivelul degetelor, mâinilor sau articulațiilor mâinilor: “Amorțeală” (insensibilitate), furnicături, durere, înțepături, modificarea culorii sau texturii pielii. Dacă apare oricare dintre aceste simptome, consultați un medic!
- Pentru a reduce riscul apariției “sindromului degetelor albe”, păstrați-vă mâinile calde în timpul utilizării și întrețineți în mod corect echipamentul și accesoriile.

## Instrucțiuni de întreținere

- Service-ul echipamentului trebuie efectuat la centrul nostru de service autorizat, folosind întotdeauna piese de schimb originale. Reparațiile incorecte sau o întreținere inadecvată pot scurta durata de viață a echipamentului și mări riscul accidentărilor.
- Starea motocosoitoarei, în special a dispozitivului de tăiere, a dispozitivelor de protecție și de asemenea a centurii de umăr trebuie verificată înainte de începerea lucrului. Atenție specială trebuie acordată lamelor de tăiere care trebuie ascuțite corect.
- Opriți motorul și scoateți fișa bujiei atunci când înlocuiți sau ascuțiți sculele de tăiere și, de asemenea, când curățați motocosoitoarea sau scula de tăiere.



## Este interzisă îndreptarea sau sudarea dispozitivelor de tăiere deteriorate.

- Protejați mediul înconjurător. Evitați operarea inutilă a accelerației, pentru un nivel de poluare și emisii de zgomot reduse. Reglați carburatorul corespunzător.
- Curățați echipamentul la intervale regulate și verificați dacă toate șuruburile și piulițele sunt strânse bine.
- Este interzis să efectuați operații de service sau să depozitați echipamentul în apropierea focului deschis.
- Depozitați întotdeauna echipamentul în încăperi încăldate și cu rezervorul de carburant golit.
- La curățarea, service-ul și depozitarea echipamentului, atașați întotdeauna capacul pe lama de tăiere.



Respectați instrucțiunile relevante de prevenire a accidentelor emise de asociațiile profesionale în cauză și de companiile de asigurări. Nu efectuați nicio modificare a echipamentului, deoarece vă puteți periclită siguranța.

Efectuarea lucrărilor de întreținere sau reparație de către utilizator este limitată la acele activități descrise în manualul de instrucțiuni. Toate celelalte lucrări vor fi efectuate de un agent de service autorizat. Utilizați doar piese de schimb originale și accesorii fabricate și furnizate de MAKITA.

Utilizarea de accesorii și unelte neautorizate reprezintă un risc crescut de accidente.

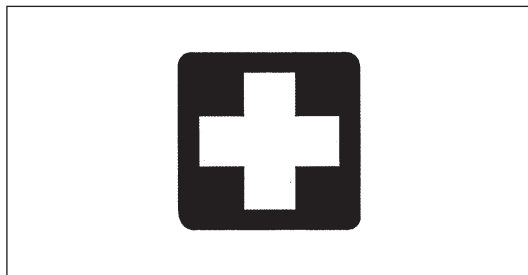
MAKITA nu va accepta nicio responsabilitate pentru accidente sau daune cauzate de utilizarea unor dispozitive de tăiere și de fixare a sculelor de tăiere sau a unor accesorii neomologate.

## Primul ajutor

În caz de accident asigurați-vă că o trusă de prim ajutor este disponibilă în apropierea operațiilor de tăiere. Înlocuiți imediat orice element folosit din trusa de prim ajutor.

## Când solicitați ajutor, oferiți următoarele informații:

- Locul accidentului
- Ce s-a întâmplat
- Numărul de persoane rănite
- Tipul leziunilor
- Numele dumneavoastră



---

Doar pentru țările europene

## Declarație de conformitate CE

**Subscrisa, Makita Corporation, în calitate de producător responsabil, declară că următoarea (următoarele) unealtă (unelte) Makita:**

Denumirea uneltei: Motocosoare pe benzină  
Nr. model/Tip: EBH252U, EBH253U, EBH252L, EBH253L  
Specificații: consultați tabelul "DATE TEHNICE"

este/sunt produs(e) de serie și

**sunt în conformitate cu următoarele Directive Europene:**

2000/14/CE, 2006/42/CE

Și sunt fabricate în conformitate cu următoarele standarde sau documente standardizate:

EN ISO 11806-1

Documentația tehnică este păstrată de:

Makita International Europe Ltd., Technical Department,  
Michigan Drive, Tongwell, Milton Keynes, Bucks MK15 8JD, Anglia

Procedura de evaluare a conformității prevăzută de Directiva 2000/14/CE a fost în concordanță cu anexa V.

Nivel putere acustică măsurat: 109,3 dB

Nivel putere acustică garantat: 111 dB

19. 12. 2008

Tomoyasu Kato  
Director  
Makita Corporation  
3-11-8, Sumiyoshi-cho,  
Anjo, Aichi, JAPAN

## DATE TEHNICE EBH252U, EBH252L

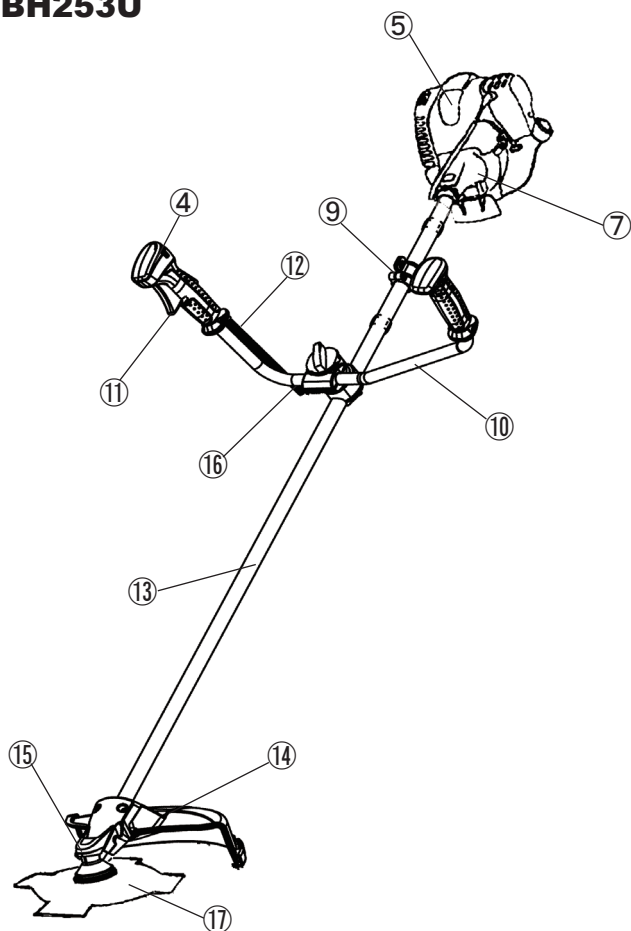
Model		EBH252U	EBH252L	
		Mâner curbat	Mâner cotit	
Dimensiuni: lungime x lățime x înălțime (fără lamă de tăiere) mm		1.770 x 620 x 490	1.770 x 330 x 275	
Masă (fără apărătoare din plastic și lamă de tăiere) kg		5,7	5,3	
Volum (rezervor de carburant) L		0,5		
Volum (rezervor de ulei) L		0,08		
Capacitate cilindrică motor cm <sup>3</sup>		24,5		
Performanțe maxime motor kW		0,71 la 7.000 min <sup>-1</sup>		
Turația motorului la frecvența de rotație maximă recomandată a axului min <sup>-1</sup>		8.500		
Turația maximă a axului (corespunzătoare) min <sup>-1</sup>		6.500		
Consumul maxim de carburant kg/h		0,33		
Consumul maxim de carburant specific g/kWh		408		
Turație de ralanti min <sup>-1</sup>		3.000		
Carburator tip		WALBRO WYL		
Sistem de aprindere tip		Aprindere electronică		
Bujie tip		NGK CMR4A		
Distanța dintre electrozi mm		0,7 - 0,8		
Vibrații conform ISO 22867	Mâner pe dreapta (Prindere din spate)	$a_{hv\ eq}$ m/s <sup>2</sup>	2,5	5,0
		Eroare de măsurare K m/s <sup>2</sup>	0,58	1,23
	Mâner pe stânga (Prindere din față)	$a_{hv\ eq}$ m/s <sup>2</sup>	2,9	4,3
		Eroare de măsurare K m/s <sup>2</sup>	0,37	0,36
Medie nivel presiune acustică conform ISO 22868		$L_{PA\ eq}$ dBA	97,1	
		Eroare de măsurare K dBA	2,4	
Medie nivel putere acustică conform ISO 22868		$L_{WA\ eq}$ dBA	106,3	
		Eroare de măsurare K dBA	1,2	
Carburant		Benzină pentru automobil		
Ulei de motor		Ulei SAE 10W-30 din clasificarea API, Clasa SF sau superioară (motor în patru timpi pentru automobil)		
Scule de tăiere (diametru lamă tăietoare) mm		230		
Raport de transmisie		14/19		

## DATE TEHNICE EBH253U, EBH253L

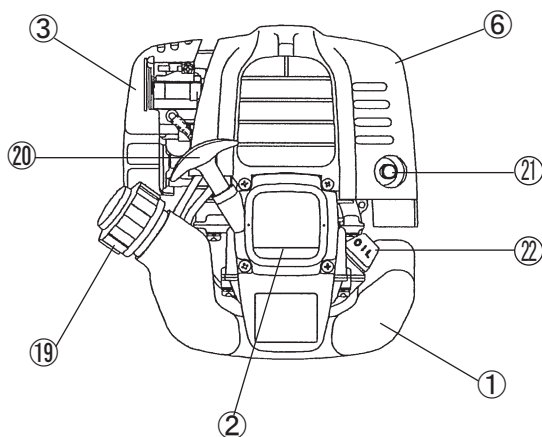
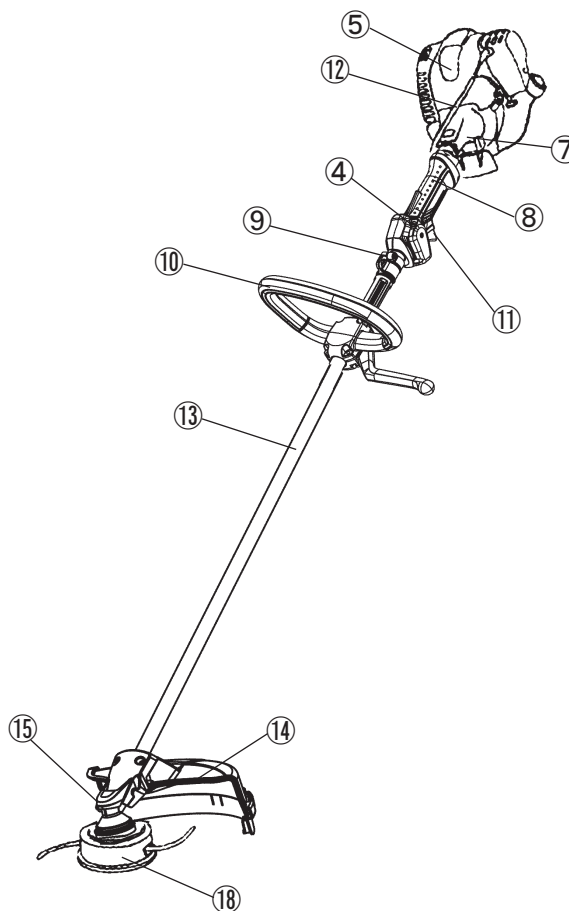
Model		EBH253U	EBH253L	
		Mâner curbat	Mâner cotit	
Dimensiuni: lungime x lățime x înălțime (fără lamă de tăiere)	mm	1.770 x 620 x 490	1.770 x 330 x 275	
Masă (fără apărătoare din plastic și lamă de tăiere)	kg	5,9	5,4	
Volum (rezervor de carburant)	L	0,5		
Volum (rezervor de ulei)	L	0,08		
Capacitate cilindrică motor	cm <sup>3</sup>	24,5		
Performanțe maxime motor	kW	0,71 la 7.000 min <sup>-1</sup>		
Turația motorului la frecvența de rotație maximă recomandată a axului	min <sup>-1</sup>	8.500		
Turația maximă a axului (corespunzătoare)	min <sup>-1</sup>	6.500		
Consumul maxim de carburant	kg/h	0,33		
Consumul maxim de carburant specific	g/kWh	408		
Turație de ralanti	min <sup>-1</sup>	3.000		
Carburator	tip	WALBRO WYL		
Sistem de aprindere	tip	Aprindere electronică		
Bujie	tip	NGK CMR4A		
Distanța dintre electrozi	mm	0,7 - 0,8		
Vibrații conform ISO 22867	Mâner pe dreapta (Prindere din spate)	$a_{hv\ eq}$ m/s <sup>2</sup>	2,6	5,3
		Eroare de măsurare K m/s <sup>2</sup>	0,83	1,22
	Mâner pe stânga (Prindere din față)	$a_{hv\ eq}$ m/s <sup>2</sup>	2,3	4,4
		Eroare de măsurare K m/s <sup>2</sup>	0,52	0,21
Medie nivel presiune acustică conform ISO 22868	$L_{PA\ eq}$ dBA	97,1		
	Eroare de măsurare K dBA	2,4		
Medie nivel putere acustică conform ISO 22868	$L_{WA\ eq}$ dBA	106,3		
	Eroare de măsurare K dBA	1,2		
Carburant		Benzină pentru automobil		
Ulei de motor		Ulei SAE 10W-30 din clasificarea API, Clasa SF sau superioară (motor în patru timpi pentru automobil)		
Scule de tăiere (diametru lamă tăietoare)	mm	230		
Raport de transmisie		14/19		

## DENUMIREA PIESELOR

**EBH252U  
EBH253U**



**EBH252L  
EBH253L**



RO	DENUMIREA PIESELOR
1	Rezervor de carburant
2	Demaror cu rapel
3	Filtru de aer
4	Comutator I-O (pornit/oprit)
5	Bujie
6	Tobă de eșapament
7	Carcasă ambreiaj
8	Prindere spate
9	Agățător
10	Mâner
11	Manetă de control
12	Cablu de control
13	Ax
14	Apărătoare (Apărătoare dispozitiv de tăiere)
15	Carcasă angrenaj/Carcasă cap
16	Suport mâner
17	Freză pentru nuturi
18	Cap de tăiere din nylon
19	Bușon de alimentare cu carburant
20	Manetă pentru demaror
21	Țeavă de eșapament
22	Jojă de ulei

## MONTAREA MÂNERULUI

**ATENȚIE:** Înainte de a efectua orice lucrare asupra motocositoarei pe benzină opriți întotdeauna motorul și scoateți fișa bujiei de la bujie.

Purtați întotdeauna mănuși de protecție!

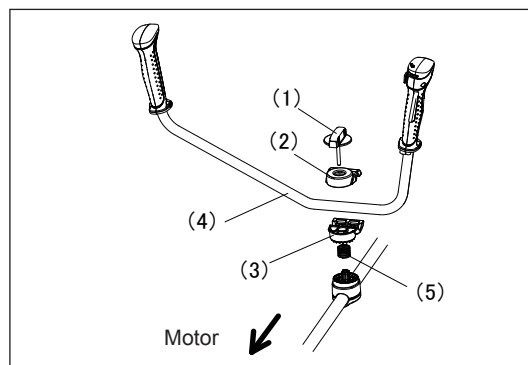
**ATENȚIE:** Porniți motocositoarea pe benzină doar după ce ați asamblat-o corect.



### Pentru motocoase cu modele de mâner curbat

- Slăbiți butonul rotativ (1).
- Plasați mânerul (4) între clema mânerului (2) și suportul de mâner (3).
- Reglați mânerul (4) la un unghi care asigură o poziție de lucru confortabilă și apoi fixați strângând ferm cu mâna butonul rotativ (1).

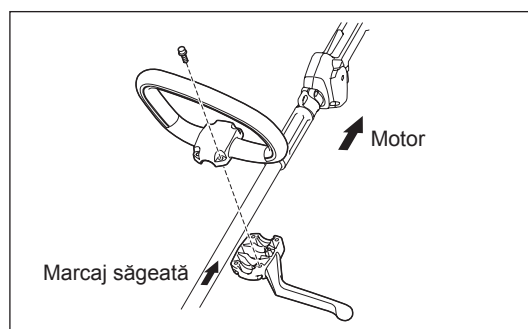
**ATENȚIE:** Nu uitați să montați arcul (5).



### Pentru motocoase cu mâner cotit

- Montați o piedică spre partea stângă a mașinii împreună cu mânerul pentru protecția operatorului.
- Asigurați-vă că ansamblul prindere/piedică este montat între distanțier și marcajul săgeată.

**AVERTISMENT:** Nu demontați și nu reduceți dimensiunea distanțierului. Distanțierul menține o anumită distanță între ambele mâini. Amplasarea ansamblului prindere/piedică aproape de cealaltă prindere, depășind lungimea distanțierului, poate cauza pierderea controlului și vătămări personale grave.



## MONTAREA APĂRĂTORII

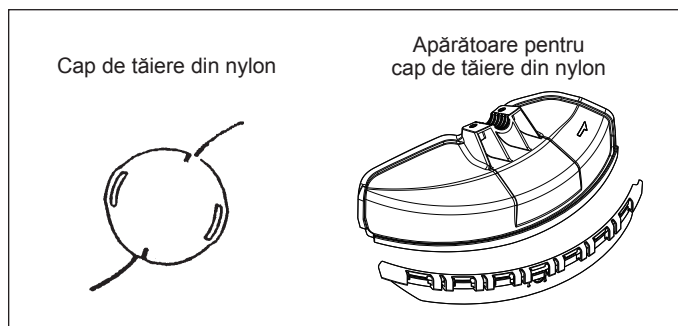
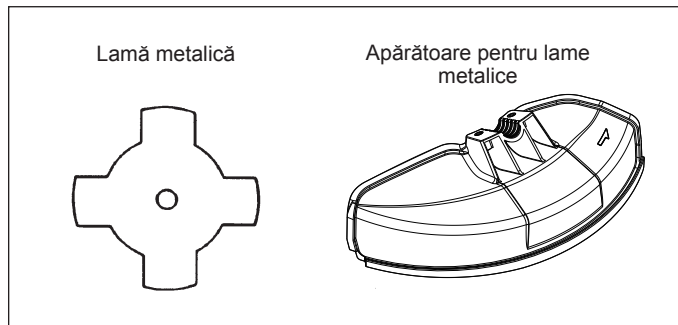
Pentru a respecta prevederile aplicabile privind siguranța, doar combinațiile unealtă/apărătoare indicate în tabel trebuie utilizate.



### Asigurați-vă că utilizați lame de tăiere sau cap de tăiere din nylon originale MAKITA.

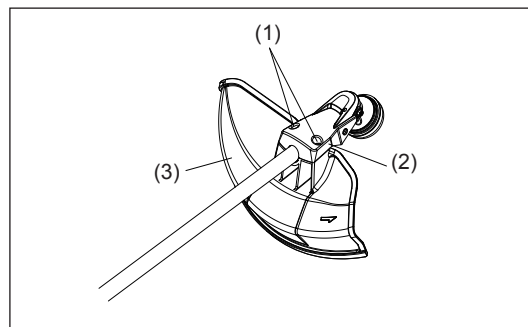
- Lama de tăiere trebuie să fie bine polizată, să nu prezinte fisuri sau să nu fie ruptă. Dacă lama de tăiere lovește o piatră în timpul funcționării, opriți motorul și verificați imediat cuțitul.
- Polizați sau înlocuiți lama de tăiere la fiecare trei ore de funcționare.
- În cazul în care capul de tăiere din nylon lovește o piatră în timpul funcționării, opriți motorul și verificați imediat capul de tăiere din nylon.

**ATENȚIE:** Apărătoarea adecvată trebuie să fie instalată întotdeauna, pentru propria dvs. siguranță și pentru a respecta reglementările de prevenire a accidentelor. Funcționarea echipamentului fără ca apărătoarea să fie montată nu este permisă. Diametrul exterior al lamei de tăiere trebuie să fie 230 mm (9-1/16"). Nu folosiți niciodată lame al căror diametru exterior depășește 230 mm (9-1/16").



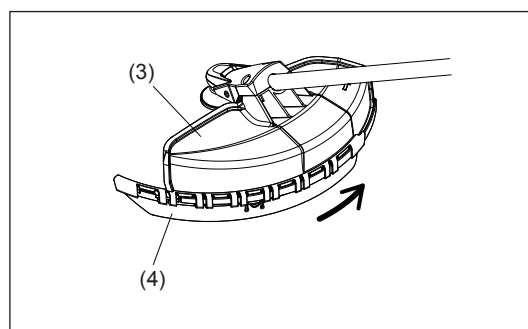
- La utilizarea lamei metalice, fixați apărătoarea (3) la clema (2) cu două șuruburi M6 x 30 (1).

**NOTĂ:** Strângeți uniform șuruburile drept și stâng astfel încât distanța dintre clema (2) și protectorul (3) să fie constantă. Altfel, uneori apărătoarea poate să nu funcționeze conform specificației.

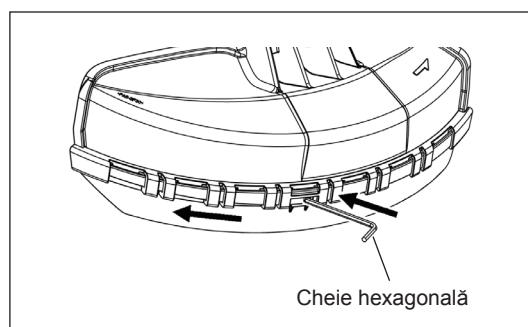


- În cazurile în care va fi utilizată motocoasa cu fir de nylon, asigurați-vă că montați apărătoarea motocoasei cu fir de nylon (4) pe apărătoarea lamei metalice (3).
- Montați apărătoarea motocoasei cu fir de nylon (4) prin glisare la locul ei dinspre partea laterală a apărătorii lamei metalice (3) în modul indicat.
- Scoateți banda care aderă la motocoasă, care taie firul de nylon, de pe apărătoarea motocoasei cu fir de nylon (4).

**ATENȚIE:** Asigurați-vă că ați împins apărătoarea motocoasei cu fir din nylon (4) până când aceasta este complet introdusă. Aveți grijă să nu vă răniți pe cuțitul pentru tăierea firului din nylon.



- Pentru a demonta apărătoarea motocoasei cu fir de nylon (4), aplicați o cheie hexagonală în fanta de pe apărătoarea lamei metalice (3), apăsați și, în același timp, glisați apărătoarea motocoasei cu fir de nylon (4).

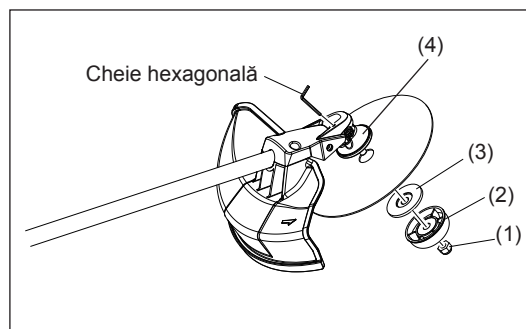




## MONTAREA LAMEI DE TĂIERE SAU CAPULUI DE TĂIERE DIN NYLON

Răsturnați motocoasa și astfel cu ușurință puteți înlocui lama de tăiere sau capul de tăiere din nylon.

- Introduceți cheia hexagonală prin orificiu în carcasa angrenajului și rotiți șaiba receptorului (4) până când acesta este blocat cu cheia hexagonală.
- Slăbiți piulița (1) (filet pe partea stângă) cu cheia tubulară și scoateți piulița (1), talerul (2), și șaiba de prindere (3).

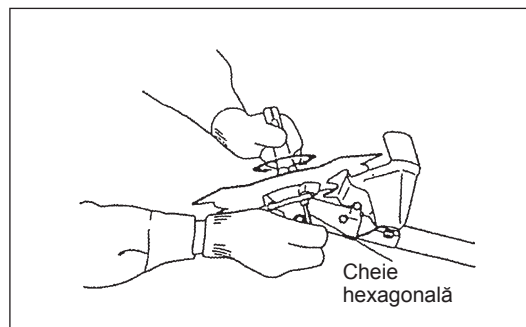


### Montarea lamei de tăiere cu cheia hexagonală încă fixată pe loc

- Montați lama de tăiere pe arbore astfel încât ghidajul șaibei receptorului (4) să intre în orificiul arborelui din lama de tăiere. Instalați șaiba de prindere (3), talerul (2) și fixați lama de tăiere cu piulița (1).  
[Cuplu de strângere: 13 - 23 N-m]

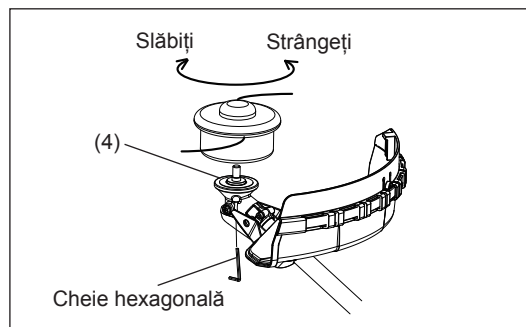
NOTĂ: Purtați întotdeauna mănuși atunci când manipulați lama de tăiere.

NOTĂ: Piulița de fixare a lamei de tăiere (cu șaibă elastică) este o piesă consumabilă. Dacă apare orice uzură sau deformare pe șaiba cu arc, înlocuiți piulița.

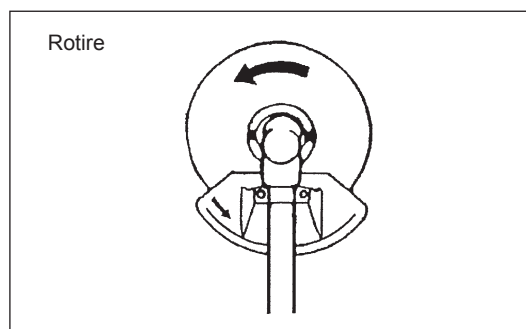


### Montarea capului de tăiat din nylon

- Șaiba de prindere (3), talerul (2) și piulița (1) nu sunt necesare pentru montarea capului de tăiere din nylon. Capul de tăiere din nylon trebuie să stea deasupra șaibei receptorului (4).
- Introduceți cheia hexagonală prin orificiu în carcasa angrenajului și rotiți șaiba receptorului (4) până când acesta este blocat cu cheia hexagonală.
- Apoi înșurubați capul de tăiere din nylon pe ax rotindu-l în sens invers acelor de ceas.
- Scoateți cheia hexagonală.



- Asigurați-vă că lama este cu partea stângă în sus.



## ÎNAINTE DE FOLOSIRE

### Inspecția și completarea cu ulei de motor

- Efectuați următoarea procedură, cu motorul răcit.
  - În timp ce mențineți motorul drept, scoateți joja de ulei și verificați că uleiul se află între marcajele de limită superioară și inferioară. Când uleiul este atât de puțin încât joja de ulei atinge uleiul doar cu vârful, în special când joja de ulei rămâne introdusă în carter fără a fi înșurubată (Fig. 1), completați cu ulei nou până aproape de orificiu (Fig. 2).
  - Pentru referință, timpul de completare cu ulei este aproximativ 10 h (10 ore sau 10 rezervoare de completare cu ulei).
- Dacă uleiul își schimbă culoarea sau se amestecă cu murdărie, înlocuiți-l cu ulei nou. (Pentru interval și metoda de înlocuire, consultați P 88)

**Ulei recomandat:** ulei SAE 10W-30 de categorie API, clasa SF sau superioară (motor în 4 timpi pentru automobile)

**Volum de ulei:** Aprox. 0,08 l

Notă: Dacă motorul nu este ținut vertical, uleiul poate circula în motor și poate fi completat în exces.

Dacă uleiul este umplut peste limită, acesta poate fi contaminat sau se poate aprinde degajând un fum alb.

#### Punctul 1 în Schimbul de ulei: "Jojă de ulei"

- Îndepărtați praful sau murdăria din apropierea orificiului de completare cu ulei și scoateți joja de ulei.
- Păstrați joja de ulei scoasă necontaminată cu nisip sau praf. Altfel, nisipul sau praful care aderă la joja de ulei poate cauza circulația neregulată a uleiului sau uzura pieselor motorului, ceea ce va conduce la probleme.
- Ca un exemplu pentru păstrarea curățeniei joi de ulei, este recomandat să introduceți joja de ulei pe partea cu butonul rotativ în capacul motorului, după cum este indicat în Fig. 3.

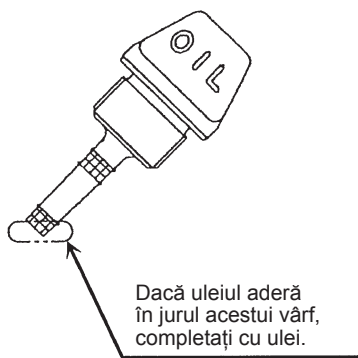


Fig. 1

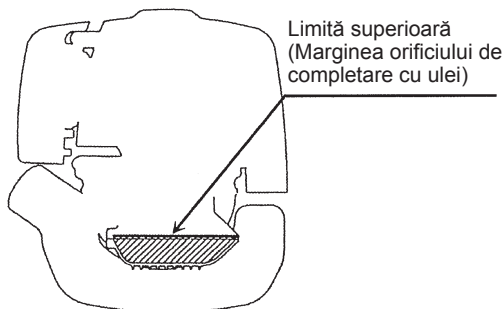


Fig. 2

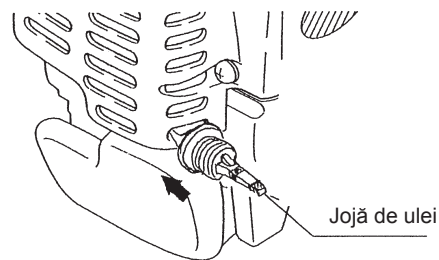
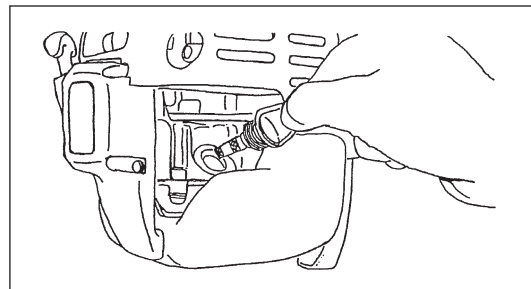
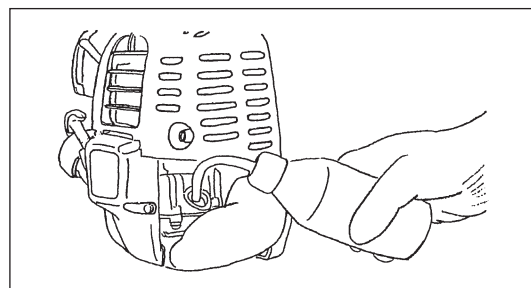


Fig. 3

(1) Țineți motorul drept, și scoateți joja de ulei.



(2) Completați cu ulei până la marginea orificiului de completare cu ulei. (Consultați Fig. 2 din pagina anterioară). Alimentați cu ulei din recipientul de completare cu lubrifiant.



(3) Strângeți bine joja de ulei. Strângerea insuficientă poate cauza scurgerea uleiului.

### **Punctul 2 în Schimbul de ulei: “Dacă apar scurgeri de ulei”**

- Dacă apar scurgeri de ulei între rezervorul de combustibil și unitatea principală a motorului, uleiul este aspirat prin orificiul de admisie a aerului de răcire, ceea ce va contamina motorul. Asigurați-vă că ștergeți uleiul scurs înaintea punerii în funcțiune.

## **REALIMENTARE CU CARBURANT**

### **Manipularea carburantului**

Este necesar să manipulați carburantul cu cea mai mare atenție. Carburantul poate conține substanțe similare solvenților. Realimentarea cu carburant trebuie efectuată într-o încăpere aerisită suficient sau în aer liber. Nu inhalați vapori de carburant și țineți carburantul la distanță de dvs. Dacă atingeți carburantul în mod repetat sau pentru o perioadă îndelungată de timp, pielea se deshidratează, ceea ce poate cauza boală de piele sau alergii. În cazul în care carburantul intră în ochi, curățați ochiul cu apă proaspătă. Dacă ochiul rămâne în continuare iritat, consultați medicul.

### **Perioada de depozitare a carburantului**

Carburantul trebuie utilizat într-o perioadă de până la 4 săptămâni, chiar dacă este păstrat într-un recipient special într-un adăpost bine aerisit. Dacă un recipient special nu este utilizat sau dacă recipientul nu este acoperit, carburantul se poate deteriora într-o singură zi.

### **DEPOZITAREA MOTOCOASEI ȘI A REZERVORULUI DE REALIMENTARE**

- Depozitați motocoasa și rezervorul într-un loc răcoros și ferit de lumina directă a soarelui.
- Este interzis să depozitați carburantul în cabină sau portbagaj.

## **Carburant**

Motorul este în patru timpi. Asigurați-vă că utilizați benzină pentru automobil (benzină obișnuită sau premium).

### **Aspecte referitoare la carburant**

- Este interzis să utilizați un amestec de benzină care conține ulei de motor. Altfel, aceasta va cauza acumularea excesivă de calamină sau probleme mecanice.
- Utilizarea de ulei deteriorat va cauza pornirea neregulată.

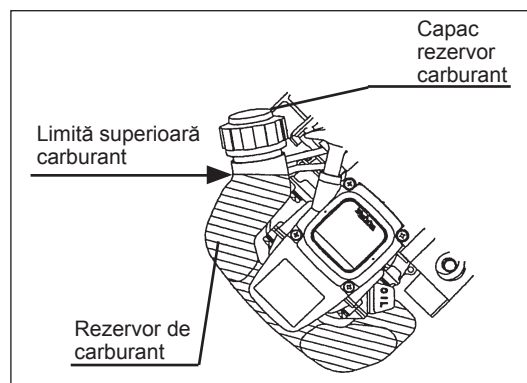
## **Realimentare cu carburant**

### **AVERTISMENT: PRODUSELE INFLAMABILE STRICT INTERZISE**

**Benzină utilizată:** Benzină de automobil (benzină fără plumb)

- Slăbiți puțin capacul rezervorului astfel încât să nu fie nicio diferență față de presiunea atmosferică.
- Scoateți capacul rezervorului și realimentați cu carburant, eliminând aerul prin înclinarea rezervorului de carburant astfel încât orificiul de realimentare să fie orientat în sus. (Este interzis să realimentați cu carburant până la orificiul de completare cu ulei.)
- Ștergeți bine în apropierea capacului rezervorului pentru a preveni intrarea corpurilor străine în rezervorul de carburant.
- După realimentarea cu carburant, strângeți bine capacul rezervorului.

- În cazul în care capacul rezervorului prezintă orice defect sau deteriorare, înlocuiți-l.
- Capacul rezervorului este piesă consumabilă și prin urmare trebuie înlocuit la fiecare doi până la trei ani.



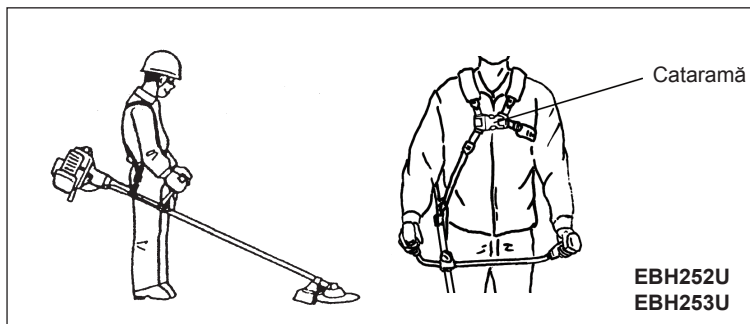
## MANIPULAREA CORECTĂ A MOTOCOASEI

### Atașarea curelei pentru umăr

- Reglați lungimea curelei astfel încât lama de tăiere va fi menținută paralel cu solul.

### Pentru EBH252U, EBH253U

NOTĂ: Vă rugăm acordați atenție, pentru a nu vă prinde hainele etc. în cataramă.



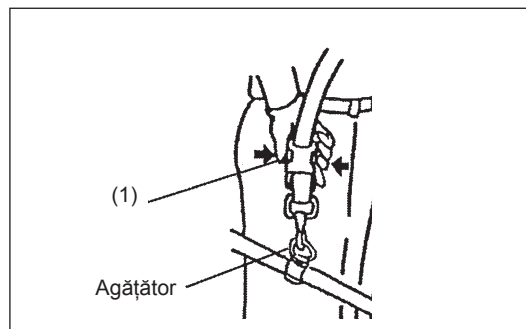
### Detășare

#### Pentru EBH252L, EBH253L

- În caz de urgență apăsați creștăturile (1) de pe ambele părți și puteți detașa motocoasa de dvs.

Fiți foarte atent pentru a menține controlul motocoasei în acest moment. Nu lăsați motocoasa să fie deviată spre dumneavoastră sau orice altă persoană din apropierea zonei de lucru.

AVERTISMENT: Lipsa menținerii controlului complet asupra motocoasei poate cauza leziuni corporale grave sau DECESUL.

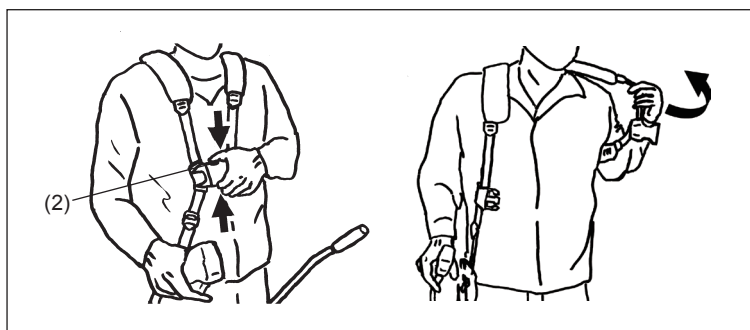


#### Pentru EBH252U, EBH253U

- În caz de urgență apăsați creștăturile (2) de pe ambele părți și puteți detașa motocoasa de dvs.

Fiți foarte atent pentru a menține controlul motocoasei în acest moment. Nu lăsați motocoasa să fie deviată spre dumneavoastră sau orice altă persoană din apropierea zonei de lucru.

AVERTISMENT: Lipsa menținerii controlului complet asupra motocoasei poate cauza leziuni corporale grave sau DECESUL.



## ASPECTE PRIVIND FOLOSIREA ȘI MODUL DE OPRIRE

Respectați reglementările aplicabile privind prevenirea accidentelor!

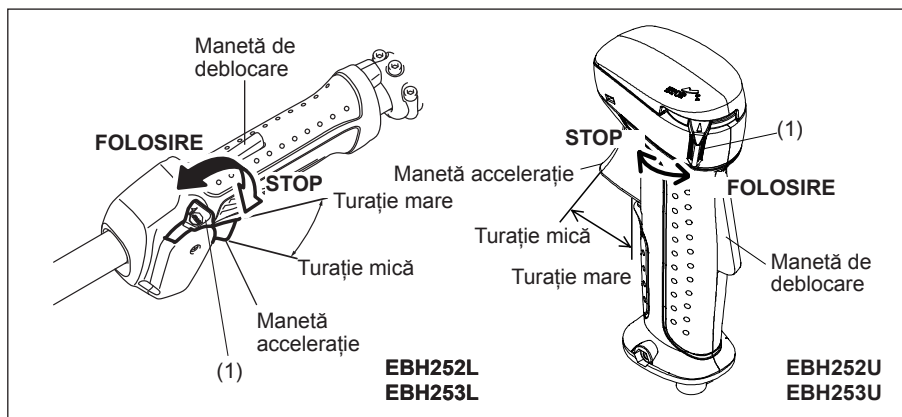


### PORNIRE

Deplasați-vă la distanță de cel puțin 3 m față de locul de realimentare cu carburant. Plasați motocositoarea pe benzină pe o porțiune curată de sol având grijă ca scula de tăiere să nu intre în contact cu solul sau alte obiecte.

### A: Pornirea la rece

- 1) Puneți această motocoasă pe o suprafață dreaptă.

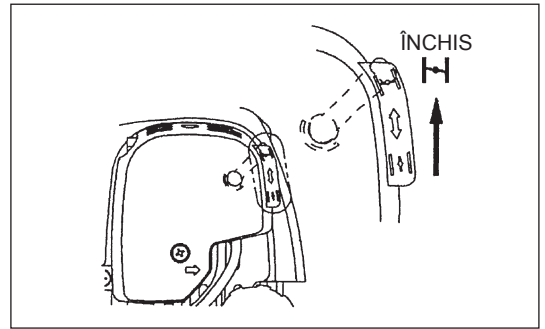


2) Puneți comutatorul I-O (1) în poziția OPERATION (FUNCȚIONARE).

3) Manetă de șoc  
Închideți maneta de șoc.

Deschidere șoc:

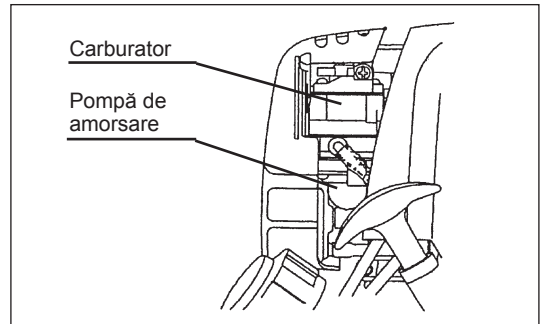
- Închidere completă când este frig sau când motorul este rece.
- Deschidere completă sau la jumătate la repornire imediat după oprirea din funcționare.



4) Pompă de amorsare

Continuați să apăsați pompa de amorsare până când carburantul intră în pompa de amorsare. (În general, carburantul intră în pompa de amorsare după 7 sau 10 apăsări.)

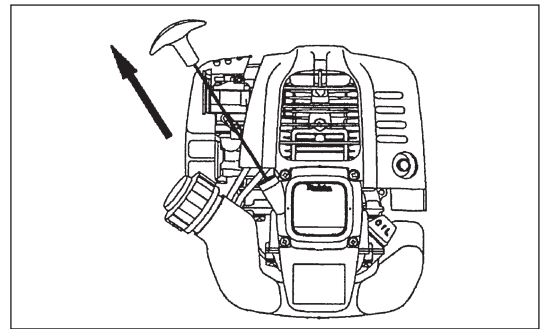
Dacă pompa de amorsare este apăsată excesiv, surplusul de benzină se întoarce în rezervorul de carburant.



5) Demaror cu rapel

Trageți ușor maneta de pornire, până când devine dificil de tras (punct de compresie). Apoi, reveniți cu maneta la punctul de pornire și trageți-o puternic.

Nu trageți cablul la maxim. Odată ce maneta de pornire este trasă, nu retrageți mâna imediat. Țineți maneta de pornire până când aceasta revine în poziția sa inițială.



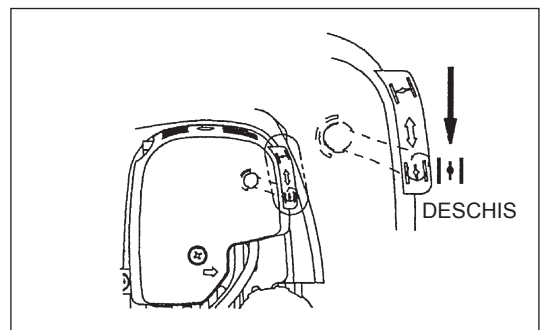
6) Manetă de șoc

Atunci când motorul pornește, deschideți maneta de șoc.

- Deschideți maneta de șoc progresiv în timp ce verificați funcționarea motorului. În cele din urmă, asigurați-vă că deschideți complet maneta de șoc.
- Când este frig sau când motorul este rece, nu deschideți brusc maneta de șoc. Altfel, motorul se poate opri.

7) Operația de încălzire

Continuați operația de încălzire pentru 2 până la 3 minute.



- Notă: – Dacă mânerul demarorului este tras în mod repetat atunci când maneta de șoc rămâne în poziția "CLOSE" (ÎNCHIS), motorul nu va porni ușor din cauza admisiei excesive de carburant.
- În cazul admisiei excesive de carburant, scoateți bujia și trageți de mânerul demarorului încet pentru a îndepărta carburantul în exces. De asemenea, uscați secțiunea electrodului bujiei.

### Atenție în timpul funcționării:

Dacă maneta de șoc este deschisă complet în timpul funcționării în gol, turația motorului crește la 10.000 min<sup>-1</sup> sau mai mult. Este interzis să lăsați motorul să funcționeze la o turație mai mare decât cea necesară și la o turație de aproximativ 6.000 - 8.500 min<sup>-1</sup>.

## B: Pornire după operația de încălzire

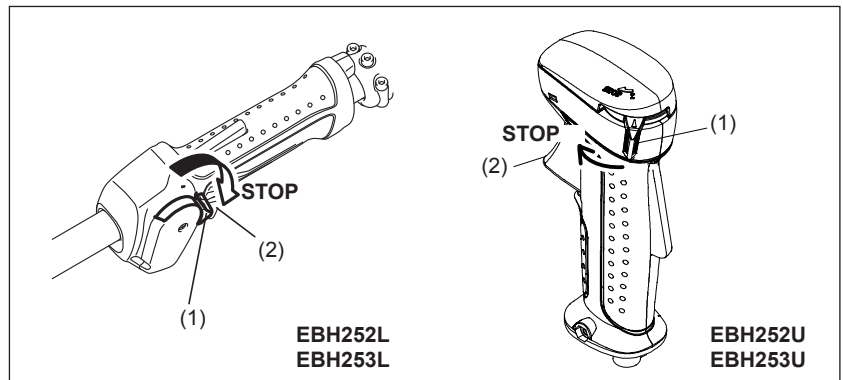
- 1) Apăsați pompa de amorsare în mod repetat.
- 2) Țineți maneta de accelerare în poziția de ralanti.
- 3) Trageți puternic de demarorul cu rapel.
- 4) Dacă este dificil să porniți motorul, deschideți accelerația cu aproximativ 1/3.  
Acordați atenție lamei de tăiere care se poate roti.

### Atenție în funcționare

Atunci când motorul funcționează răsturnat, fum alb poate ieși din toba de eșapament

## OPRIRE

- 1) Eliberați maneta de accelerație (2) complet și când turația motorului a scăzut, setați comutatorul I-O la STOP, motorul se va opri în acest moment.
- 2) Fiți atent la capul de tăiere care s-ar putea să nu se oprească imediat și lăsați-l să încetinească complet.

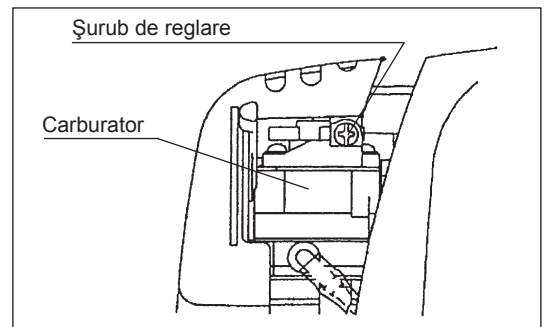


## REGLAREA ROTAȚIEI LA TURAȚIE JOASĂ (RALANTI)

Atunci când este necesar să reglați rotația la turație joasă (ralanti), efectuați-o de la șurubul de reglare carburator.

## VERIFICAREA ROTAȚIEI LA TURAȚIE JOASĂ

- Setati rotația la turație joasă la 3.000 min<sup>-1</sup>. Dacă este necesar să schimbați viteza de rotație, reglați șurubul de reglare (ilustrat în dreapta), cu șurubelnița cu cap în cruce.
- Rotiți șurubul de reglare la dreapta și turația motorului va crește. Rotiți șurubul de reglare la stânga și turația motorului va scădea.
- Carburatorul este în general reglat înainte de livrare. Dacă este necesar să-l reglați din nou, vă rugăm să contactați agentul de service autorizat.



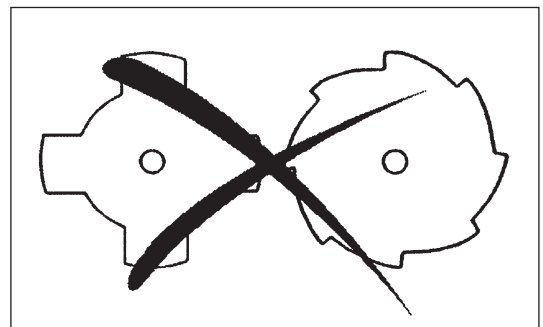
## REASCUȚIREA SCULEI DE TĂIERE



**ATENȚIE:** Sculele de tăiere menționate mai jos trebuie reascuțite doar de către un atelier autorizat. Reascuțirea manuală va avea ca rezultat dezechilibrarea sculei de tăiere producând vibrații și deteriorarea echipamentului.

- lamă de tăiere  
Un serviciu expert de reascuțire și echilibrare este furnizat de agenții de service autorizați.

**NOTĂ:** Pentru a crește durata de funcționare a lamei de tăiere aceasta poate fi întoarsă invers o singură dată, până când ambele muchii de tăiere s-au tocit.



## CAP DE TĂIERE DIN NYLON

Capul de tăiere din nylon este un cap de cosire cu două fire care se adaptează la ambele mecanisme, automat și tip lovire și eliberare.

Capul de tăiere din nylon va elibera automat lungimea adecvată a firului de nylon prin modificările în forța centrifugă determinată de creșterea sau scăderea turației. Totuși, pentru a tăia iarba moale mai eficient, loviți capul de tăiere din nylon de sol pentru a elibera mai mult fir așa cum este indicat în secțiunea referitoare la funcționare.

### Funcționare

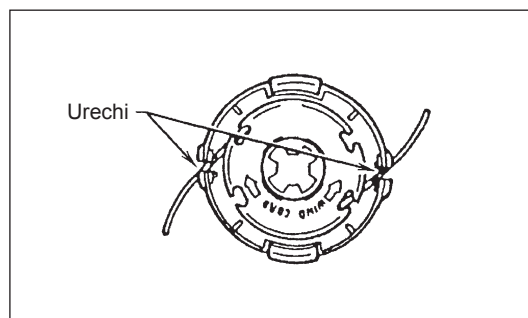
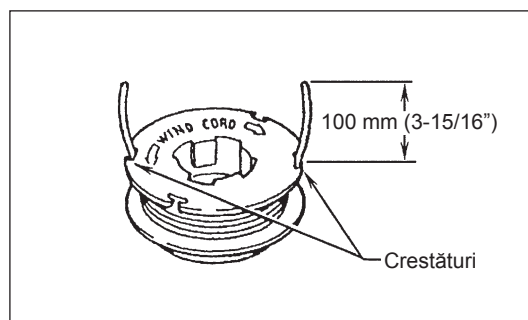
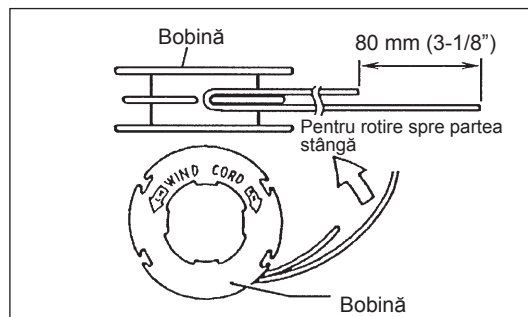
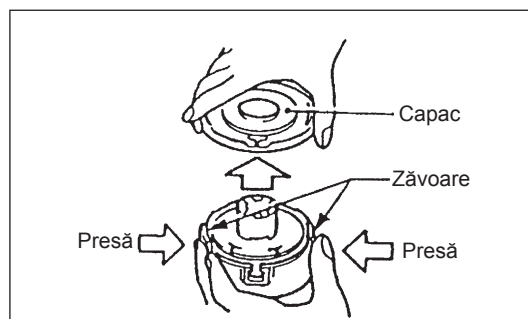
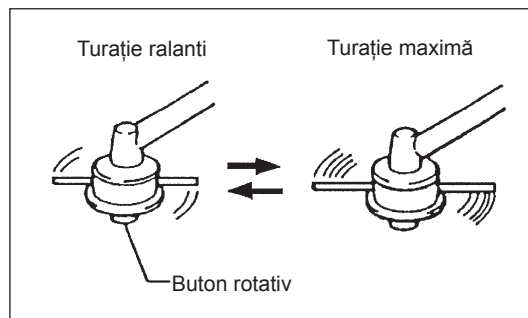
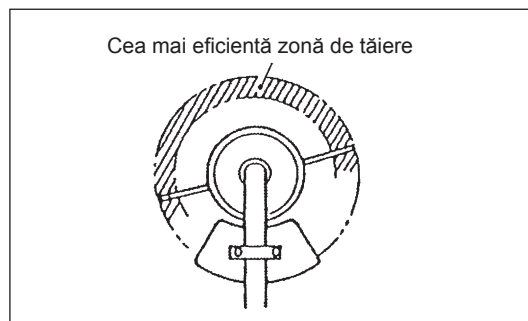
- Creșteți turația capului de tăiere din nylon la aprox. 6.000 min<sup>-1</sup>. Turația mică (sub 4.800 min<sup>-1</sup>) nu este adecvată, deoarece firul din nylon nu va fi eliberat corect la turație mică.
- Cea mai eficientă zonă de tăiere este indicată de zona întunecată.

Dacă firul din nylon nu este eliberat automat procedați după cum urmează:

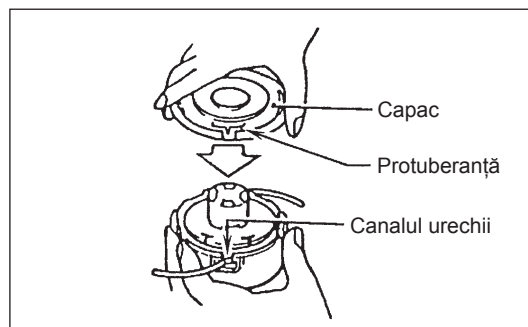
1. Eliberați maneta de accelerație pentru a lăsa motorul să funcționeze la ralanti și apoi strângeți maneta de accelerație complet. Repetați această procedură până când firul de nylon este eliberat la lungimea corectă.
2. Dacă firul din nylon este prea scurt pentru a fi eliberat automat cu procedura de mai sus, loviți butonul rotativ al capului de tăiere din nylon de sol pentru a elibera firul din nylon.
3. În cazul în care firul din nylon nu este eliberat cu ajutorul procedurii 2, înfășurați/înlocuiți firul din nylon urmând procedurile descrise în "Înlocuirea firului de nylon".

### Înlocuirea firului din nylon

- Mai întâi, opriți motorul.
- Apăsăți pe zăvoarele carcasei spre interior pentru ca să ridicați capacul, apoi scoateți bobina.
- Agățați vârful noului fir de nylon în creștătura din centrul bobinei, cu un capăt al firului întinzându-se cu circa 80 mm (3-1/8") mai mult decât celălalt. Apoi înfășurați strâns ambele capete în jurul bobinei în sensul de rotație al capului (sens spre stânga indicat prin LH și sens spre dreapta indicat prin RH pe partea laterală a bobinei).
- Înfășurați firele în întregime, mai puțin 100 mm (3-15/16") de fire, lăsând capătele agățate temporar printr-o creștătură de pe partea laterală a bobinei.
- Montați bobina în carcasă astfel încât canelurile și protuberanțele bobinei să se potrivească cu cele din carcasă. Țineți partea laterală cu literele de pe bobină vizibile pe partea superioară. În acest moment, desprindeți capetele firului din poziția lor temporară și treceți firul prin urechi pentru a ieși în afara carcasei.



- Aliniați protuberanța de pe partea inferioară a capacului cu canalele urechilor. Apoi apăsați ferm capacul pe carcasă pentru a-l fixa.



## INSTRUCIUNI DE ÎNTREȚINERE

**ATENȚIE:** Înainte de a efectua orice fel de lucrări asupra motocoștoarea pe benzină, opriți întotdeauna motorul și scoateți fișa bujiei (consultați "verificarea bujiei").  
Purtați întotdeauna mănuși de protecție!

Pentru a asigura o durată de funcționare îndelungată și pentru a evita orice deteriorare a echipamentului, următoarele operații de întreținere trebuie efectuate la intervale regulate.

### Verificare și întreținere zilnică

- Înainte de folosire, verificați dacă motocoștoarea are șuruburi slăbite sau piese lipsă. Acordați atenție specială strângerii lamei de tăiere sau capului de tăiere din nylon.
- Înainte de folosire, verificați întotdeauna eventuala înfundare a pasajului de aer pentru răcire și a aripișoarelor cilindrului. Curățați-le dacă este necesar.
- Efectuați următoarele lucrări zilnic după folosire:
  - Curățați motocoștoarea pe benzină la exterior și verificați pentru eventuale defecte.
  - Curățați filtrul de aer. Atunci când lucrați în condiții cu foarte mult praf, curățați filtrul de mai multe ori pe zi.
  - Verificați eventuala deteriorare a lamei sau capului de tăiere din nylon și asigurați-vă că este montat(ă) ferm.
  - Verificați dacă există diferență suficientă între turația de ralanti și de cuplare pentru a vă asigura că scula de tăiere este oprită în timp ce motorul funcționează la ralanti (dacă este necesar reduceți turația de ralanti).  
Dacă în condiții de ralanti scula continuă să se rotească, consultați cel mai apropiat agent de service autorizat.
- Verificați funcționarea comutatorului I-O, manetei de deblocare, manetei de control și butonului de blocare.

### ÎNLOCUIREA ULEIULUI DE MOTOR

Uleiul de motor deteriorat va reduce mult durata de funcționare a pieselor culisante și în rotație. Asigurați-vă că ați verificat perioada și cantitatea de înlocuit.



**ATENȚIE:** În general, unitatea principală a motorului și uleiul de motor rămân calde în continuare imediat după ce motorul este oprit. La înlocuirea uleiului, verificați că unitatea principală a motorului și uleiul de motor sunt suficient de reci. Altfel, poate exista în continuare risc de arsuri.

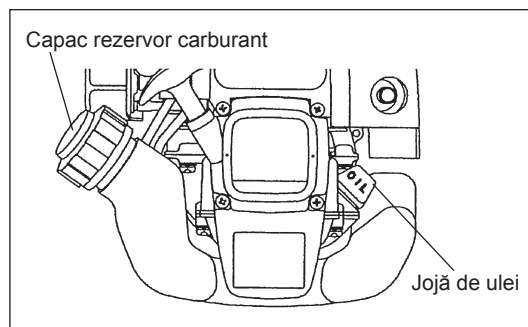
**Notă:** Dacă uleiul este umplut peste limită, acesta poate fi contaminat sau se poate aprinde degajând un fum alb.

**Interval de înlocuire:** Inițial, la fiecare 20 de ore de funcționare și ulterior la fiecare 50 de ore de funcționare

**Ulei recomandat:** Ulei SAE 10W-30 de categorie API, clasa SF sau superioară (motor în 4 timpi pentru automobile)

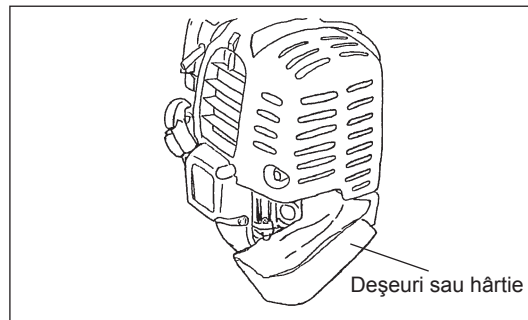
La înlocuire, efectuați următoarea procedură.

- 1) Verificați strângerea corespunzătoare a capacului rezervorului.
- 2) Scoateți joja de ulei.  
Țineți joja de ulei ferită de praf sau murdărie.

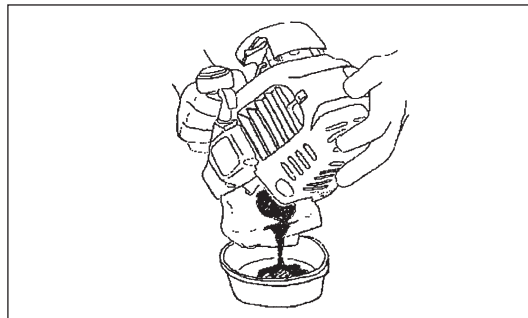




3) Plasați deșeurii sau hârtie lângă orificiul de completare cu ulei.

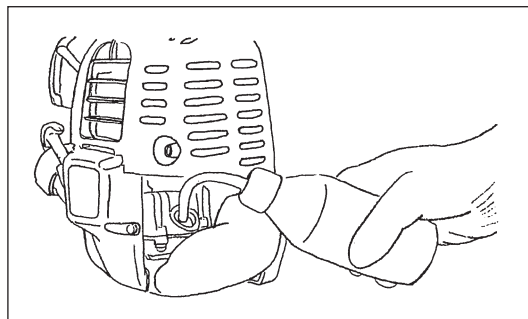


4) Scoateți joja de ulei și goliți uleiul, înclinând unitatea principală spre orificiul de completare cu ulei.  
Goliți uleiul într-un recipient pentru eliminare regulamentară.



5) Țineți motorul drept și alimentați cu ulei nou până la marginea orificiului de completare cu ulei.  
La completare, utilizați un recipient de completare cu lubrifianț.

6) După completare, strângeți bine joja de ulei. Strângerea insuficientă a jojei de ulei va duce la scurgeri de ulei.



### ASPECTE PRIVIND ULEIUL

- Este interzis să aruncați uleiul de motor înlocuit la un loc cu gunoierul menajer, pe pământ sau în canalizare. Eliminarea uleiului este reglementată prin lege. La eliminare, respectați întotdeauna legile și regulamentele relevante. Pentru orice nelămuriri, contactați agentul de service autorizat.
- Uleiul se va deteriora chiar când nu este utilizat. Efectuați inspecția și înlocuirea la intervale regulate (înlocuiți cu ulei nou la fiecare 6 luni).

### CURĂȚAREA FILTRULUI DE AER



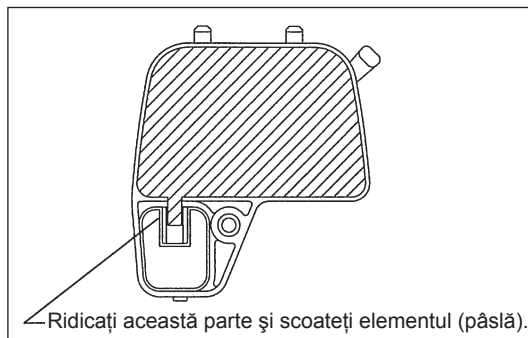
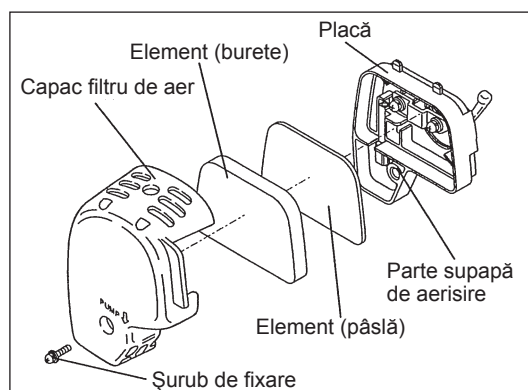
**PERICOL: PRODUSELE INFLAMABILE STRICT INTERZISE**

**Interval de curățare și inspecție: Zilnic (la fiecare 10 ore de funcționare)**

- Rotiți maneta de șoc în partea corespunzătoare poziției complet închis și țineți carburatorul la distanță de praf sau murdărie.
- Scoateți șuruburile de fixare a capacului filtrului de aer.
- Trageți partea inferioară a capacului și detașați capacul filtrului de aer.
- Dacă uleiul aderă la element (burete), stoarceți-l cu putere.
- Pentru contaminare puternică:
  - 1) Scoateți elementul (burete), introduceți-l în apă caldă sau în detergent neutru diluat cu apă și uscați-l complet.
  - 2) Curățați elementul (pâslă) cu benzină și uscați-l complet.
- Înainte de a atășa elementul, asigurați-vă că s-a uscat complet. Uscarea insuficientă a elementului poate duce la pornirea dificilă.
- Ștergeți cu o cârpă uleiul care a aderat în jurul capacului filtrului de aer și supapei de aerisire a plăcii.
- Imediat după ce curățarea este terminată, atășați capacul filtrului și strângeți-l cu șuruburi de fixare. (La remontare, plasați mai întâi clichetul superior și apoi clichetul inferior.)

#### Aspecte privind manipularea elementului filtrului de aer

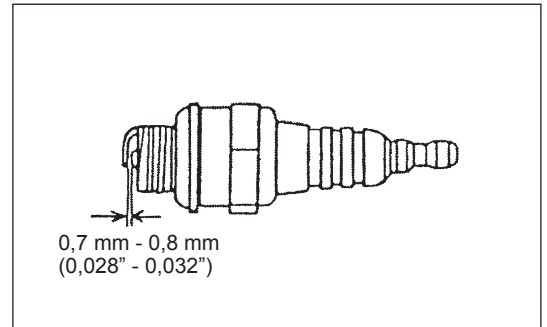
- Curățați elementul de mai multe ori pe zi, dacă praful în exces aderă la acesta.
- Dacă funcționarea continuă cu elementul necurățat de ulei, uleiul din filtrul de aer poate ieși afară, rezultând contaminarea cu ulei.



## VERIFICAREA BUJIEI

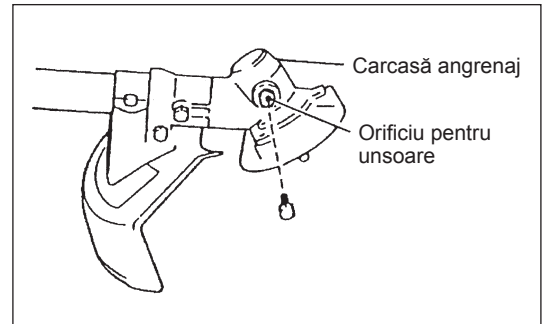
- Utilizați doar cheia universală furnizată pentru a scoate sau a instala bujia.
- Distanța dintre cei doi electrozi ai bujiei trebuie să fie 0,7 - 0,8 mm (0,028" - 0,032"). Dacă distanța este prea mare sau prea mică, reglați-o.
- Dacă bujia este înfundată sau contaminată, curățați-o bine sau înlocuiți-o.

**ATENȚIE:** Nu atingeți fișa bujiei în timp ce motorul funcționează (pericol de șoc electric la tensiune înaltă).



## ALIMENTAREA CU UNSOARE A CARCASEI ANGRENAJULUI

- Alimentați cu unsoare (Shell Alvania 2 sau echivalent) la cutia angrenajului prin orificiul pentru unsoare, la fiecare 30 de ore. (Unsoarea MAKITA originală poate fi achiziționată de la distribuitorul dumneavoastră MAKITA.)

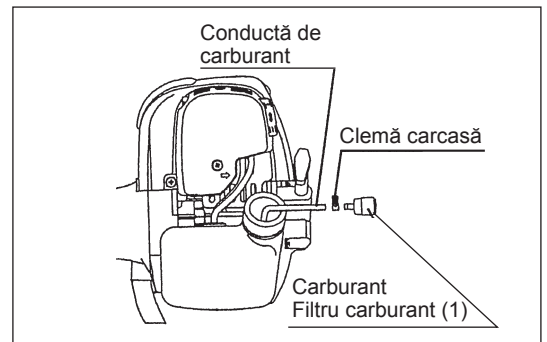


## CURĂȚAREA FILTRULUI DE CARBURANT AVERTISMENT: PRODUSELE INFLAMABILE STRICT INTERZISE

Interval de curățare și inspecție: Lunar (la fiecare 50 ore de funcționare)

### Cap de aspirație în rezervorul de carburant

- Filtru de combustibil (1) al capului de aspirație este utilizat pentru a filtra carburantul necesar pentru carburator.
- Trebuie efectuată o inspecție vizuală periodică a filtrului de carburant. În acest scop deschideți capacul rezervorului, utilizați o clemă de sârmă și trageți afară capul de aspirație prin deschiderea rezervorului. Filtrele întărite, poluate sau înfundate trebuie înlocuite.
- Alimentarea insuficientă cu carburant poate avea ca rezultat depășirea turației maxime admisibile. Este prin urmare important să înlocuiți filtrul de combustibil cel puțin trimestrial pentru a asigura alimentarea satisfăcătoare cu carburant a carburatorului.

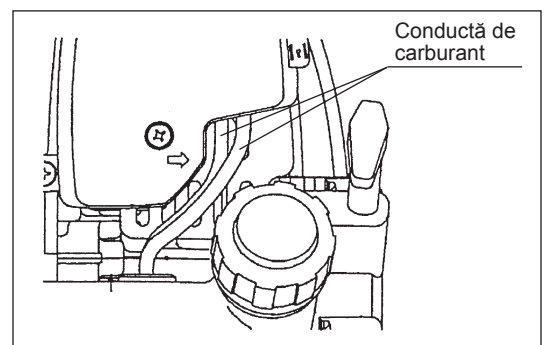


## ÎNLOCUIREA CONDUCTEI DE CARBURANT ATENȚIE: PRODUSELE INFLAMABILE STRICT INTERZISE

Interval de curățare și inspecție: Zilnic (la fiecare 10 ore de funcționare)

Înlocuire: Anual (la fiecare 200 ore de funcționare)

Înlocuiți conducta de combustibil în fiecare an, indiferent de frecvența de folosire. Scurgerea de combustibil poate provoca incendii. Dacă este detectată o scurgere în timpul inspecției, înlocuiți imediat conducta de ulei.



## INSPECȚIA BOLȚURILOR, PIULIȚELOR ȘI ȘURUBURILOR

- Restrângeți șuruburile, piulițele etc. slăbite.
- Verificați dacă există scurgeri de combustibil și ulei.
- Înlocuiți piesele deteriorate cu unele noi pentru funcționare sigură.

## CURĂȚAREA PIESELOR

- Păstrați întotdeauna motorul curat.
- Păstrați aripiorele cilindrului necontaminate cu praf și murdărie. Praful sau murdăria care aderă la aripiore vor cauza griparea pistonului.

## ÎNLOCUIREA GARNITURILOR ȘI ETANȘĂRIILOR

La reasblare după ce motorul este demontat, aveți grijă să înlocuiți garniturile și etanșările cu unele noi.

Orice lucrare de întreținere sau reglare care nu este inclusă și descrisă în acest manual trebuie efectuată doar de către agenți de service autorizați.

## DEPOZITAREA



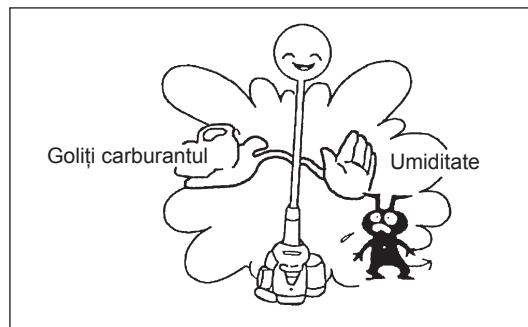
**AVERTISMENT: Atunci când goliți carburantul, asigurați-vă că opriți motorul și verificați că motorul se răcește.**

Imediat după oprirea motorului, acesta poate fi încă fierbinte cu posibilitatea de arsuri, inflamabilitate și incendiu.



**ATENȚIE: Atunci când mașina nu funcționează pentru o perioadă lungă de timp, goliți tot carburantul din rezervorul de carburant și carburator și depozitați-l într-un loc uscat și curat.**

- Goliți carburantul din rezervorul de carburant și carburator conform următoarelor proceduri:
  - 1) Scoateți capacul rezervorului de carburant și goliți complet carburantul. Dacă există corpuri străine rămase în rezervorul de carburant, scoateți-l complet.
  - 2) Trageți afară filtrul de carburant din orificiul de completare utilizând o sârmă.
  - 3) Apăsăți pompa de amorsare până când carburantul este golit din ea și goliți carburantul care provine din rezervorul de carburant.
  - 4) Remontați filtrul pe rezervorul de combustibil și strângeți bine capacul rezervorului de carburant.
  - 5) Apoi, lăsați motorul să funcționeze în continuare până când se oprește.
- Scoateți bujia și picurați câteva picături de ulei de motor prin orificiul bujiei.
- Trageți ușor mânerul demarorului astfel încât uleiul de motor se va răspândi în motor și atașați bujia.
- Atașați capacul la lama de tăiere.
- În timpul depozitării, țineți tija orizontal sau țineți motocoasa vertical cu muchia lamei orientată în sus. (În acest caz, acordați toată atenția pentru a preveni căderea motocoasei.) Nu depozitați mașina cu muchia lamei de tăiere orientată în jos. Uleiul de ungere se poate vărsa.
- Depozitați uleiul golit într-un recipient special într-un adăpost bine ventilat.



### Atenție după depozitare pe termen lung

- Înainte de pornire după o perioadă lungă de nefuncționare, asigurați-vă că înlocuiți uleiul (consultați P 88). Uleiul se va deteriora în timp ce mașina nu funcționează.

### Locație defect

Defect	Sistem	Observații	Cauza
Motorul nu pornește sau pornește cu dificultate	Sistem de aprindere	Scânteie de aprindere O.K.	Defect în sistemul de alimentare cu combustibil sau de compresie, defect mecanic
		Nu există scânteie de aprindere	Comutator STOP acționat, defect de cablaj sau scurtcircuit, bujie sau fișă defectă, modulul de aprindere defect
	Alimentare cu carburant	Rezervorul de carburant este plin	Poziție incorectă a șocului, carburator defect, conductă de alimentare cu combustibil îndoită sau blocată, carburant murdar
	Compresie	Lipsă compresie la tragerea demarorului	Garnitură inferioară cilindru defectă, etanșări arbore cotit deteriorate, cilindru sau segmenti de piston defecti sau etanșare incorectă a bujiei
Probleme de pornire la cald	Defect mecanic	Demarorul nu cuplează	Arc demaror rupt, piese rupte în interiorul motorului
		Rezervor plin, scânteie de aprindere existentă	Carburator contaminat, curățați-l
Motorul pornește, dar se oprește imediat	Alimentare cu carburant	Rezervor plin	Reglare la ralanti incorectă, carburator contaminat
Performanță insuficientă	Mai multe sisteme pot fi afectate simultan	Turație de ralanti motor precară	Orificiu de ventilare rezervor de carburant defect, conductă de alimentare cu carburant întreruptă, cablu sau comutator STOP defect
			Filtru de aer contaminat, carburator contaminat, tobă de eșapament înfundată, conductă de evacuare din cilindru înfundată

Element	Temp de funcționare	Înainte de funcționare	După ungere	Zilnic (10 h)	30 h	50 h	200 h	Oprire/pauză	P corespunzătoare
Ulei de motor	Inspectați/ curățați	○							82
	Înlocuiți-o					○*1			88
Strângere piese (șurub, piuliță)	Inspectați	○							90
Rezervor de carburant	Curățați/ inspectați	○							—
	Goliți carburantul							○*3	91
Manetă accelerație	Verificați funcționarea		○						—
Comutator Stop	Verificați funcționarea		○						86
Lamă de tăiere	Inspectați	○		○					80
Rotație la turație joasă	Inspectați/ reglați			○					86
Filtru de aer	Curățați-l			○					89
Bujie	Inspectați			○					90
Conductă aer răcire	Curățați/ inspectați			○					90
Conductă de carburant	Inspectați			○					90
	Înlocuiți-o						◎*2		—
Unsoare carcasă angrenaj	Completați				○				90
Filtru de carburant	Curățați/ înlocuiți					○			90
Distanță între supapa de admisie aer și supapa de evacuare aer	Reglați						◎*2		—
Revizie motor							◎*2		—
Carburator	Goliți carburantul							○*3	91

\*1 Efectuați înlocuirea inițială după 20 h de funcționare.

\*2 Pentru inspecția de la 200 de ore de funcționare, solicitați un agent de service autorizat sau un atelier mecanic.

\*3 După golirea rezervorului de carburant, lăsați motorul să funcționeze în continuare și goliți carburantul din carburator.

## DEPANARE

Înainte de a efectua o solicitare de reparație, căutați chiar dumneavoastră defectul. Dacă nicio anomalie nu este găsită, controlați motocoasa conform descrierii din acest manual. Este interzis să modificați sau să demontați orice piesă contrar descrierii. Pentru reparații, contactați agentul de service autorizat sau reprezentanța locală.

Stare de anomalie	Cauză probabilă (defecțiuni)	Remediu
Motorul nu pornește	Pompa de amorsare nu funcționează	Apăsați de 7 până la 10 ori
	Viteză mică de tragere a cablului demarorului	Trageți puternic
	Lipsă carburant	Alimentați cu carburant
	Filtru de carburant înfundat	Curățați-l
	Tub de carburant spart	Îndreptați tubul de carburant
	Carburant deteriorat	Carburantul deteriorat face pornirea mai dificilă. Înlocuiți cu altul nou. (Înlocuire recomandată: 1 lună)
	Aspirație excesivă de carburant	Setați maneta de accelerație de la turație medie la turație mare și trageți mânerul demarorului până când motorul pornește. <b>Odată ce motorul pornește, lama de tăiere începe să se rotească. Acordați atenție maximă lamei de tăiere .</b> Dacă motorul tot nu pornește, scoateți bujia, uscați electrodul și remontați-le în poziția originală. Apoi, porniți după cum este specificat.
	Fișă bujie detașată	Atașați-o corespunzător
	Bujie contaminată	Curățați-l
	Distanță anormală între electrozii bujiei	Reglați distanța
	Altă anomalie a bujiei	Înlocuiți-o
	Carburator anormal	Solicitați inspecție și întreținere.
	Cablul demarorului nu poate fi tras	Solicitați inspecție și întreținere.
Sistem de transmisie anormal	Solicitați inspecție și întreținere.	
Motorul se oprește rapid Turația motorului nu crește	Încălzire insuficientă	Efectuați operația de încălzire
	Maneta de șoc este setată la "ÎNCHIS" deși motorul este încălzit.	Setați la "DESCHIS"
	Filtru de carburant înfundat	Curățați-l
	Filtru de aer contaminat sau înfundat	Curățați-l
	Carburator anormal	Solicitați inspecție și întreținere.
	Sistem de transmisie anormal	Solicitați inspecție și întreținere.
Lama de tăiere nu se rotește ↓ Oprți motorul imediat	Piulița de strângere lamă de tăiere este slăbită	Strângeți-o bine
	Crengi mici prinse în lama de tăiere sau capacul de prevenire a împrăștierii.	Scoateți corpul străin
	Sistem de transmisie anormal	Solicitați inspecție și întreținere.
Unitatea principală vibrează anormal ↓ Oprți motorul imediat	Lamă de tăiere ruptă, îndoită sau uzată	Înlocuiți lama de tăiere
	Piulița de strângere lamă de tăiere este slăbită	Strângeți-o bine
	Parte convexă deplasată a lamei de tăiere și piesei de suport a lamei de tăiere.	Atașați-o corespunzător
	Sistem de transmisie anormal	Solicitați inspecție și întreținere.
Lama de tăiere nu se oprește imediat ↓ Oprți motorul imediat	Rotație mare la ralanti	Reglați
	Cablu de accelerație detașat	Atașați-o corespunzător
	Sistem de transmisie anormal	Solicitați inspecție și întreținere.
Motorul nu se oprește ↓ Porniți motorul la ralanti și setați maneta de șoc la ÎNCHIS	Fișă detașată	Atașați-o corespunzător
	Sistem electric anormal	Solicitați inspecție și întreținere.

Când motorul nu pornește după operația de încălzire:

Dacă nu se găsește nicio anomalie la elementele verificate, deschideți accelerația cu aproximativ 1/3 și porniți motorul.

Herzlichen Glückwunsch, dass Sie sich für den Kauf einer Motorsense von MAKITA entschieden haben. Wir freuen uns, Ihnen die Motorsense von MAKITA anbieten zu können; diese Erzeugnisse sind das Ergebnis eines langen Entwicklungsprogramms und vieler Jahre an Erkenntnissen und Erfahrungen. Lesen Sie diese Broschüre mit detaillierten Informationen zu den verschiedenen Punkten, die die herausragende Leistung demonstrieren, aufmerksam durch. So können Sie das best mögliche Ergebnis mit Ihrer Motorsense von MAKITA erzielen.



Inhaltsverzeichnis	Seite
Symbole.....	94
Sicherheitsvorschriften .....	95
Technische Daten .....	99
Bezeichnung der Bauteile.....	101
Montieren des Griffs .....	102
Montieren des Schutzes.....	103
Montieren der Schneidklinge / des Nylon-Schneidkopfes.....	104
Vor dem Betrieb.....	105
Richtige Handhabung des Werkzeugs .....	107
Wichtige Betriebsschritte und Stoppen des Werkzeugs.....	107
Schärfen des Schneidwerkzeugs .....	109
Wartungsanweisungen .....	111
Lagerung .....	114

## SYMBOLE

Beachten Sie beim Lesen der Gebrauchsanleitung die folgenden Symbole.

	Bitte lesen Sie die Bedienungsanleitung und befolgen Sie die Warnungen und Sicherheitshinweise!		Im Arbeitsbereich dürfen sich weder Personen noch Tiere aufhalten!
	Besondere Aufmerksamkeit erforderlich!		Tragen Sie Schutzhelm, Schutzbrille und Gehörschutz!
	Verboten!		Maximal zulässige Werkzeugdrehzahl
	Halten Sie Abstand!		Kraftstoff (Benzin)
	Gefahr durch herumfliegende Gegenstände!		Manueller Motorstart
	Rauchverbot!		Not-Aus
	Umgang mit offenen Flammen verboten!		Erste Hilfe
	Tragen Sie Schutzhandschuhe!		EIN / START
	Tragen Sie festes Schuhwerk mit rutschfester Sohle. Empfohlen werden Arbeitsschutzhuhe mit Stahlkappen!		AUS / STOPP
	Rückschlag!		

# SICHERHEITSVORSCHRIFTEN

## Allgemeine Sicherheitsregeln

- Lesen Sie diese Betriebsanleitung durch und machen Sie sich mit dem Umgang mit diesem Werkzeug vertraut. Unzureichend informierte Bediener können durch unsachgemäßen Umgang mit dem Werkzeug sich und andere gefährden.
- Verleihen Sie das Werkzeug nur an Personen, die nachweislich über Erfahrungen im Umgang mit derartigen Werkzeugen verfügen. Überreichen Sie stets auch diese Betriebsanleitung.
- Erstanwender sollten sich von ihrem Händler eine grundlegende Einweisung geben lassen, um mit dem Umgang mit Motorsensen vertraut zu werden.
- Kindern und Jugendlichen unter 18 Jahren ist die Bedienung dieses Werkzeugs untersagt. Personen über 16 Jahre dürfen das Werkzeug für Übungszwecke bedienen, jedoch nur unter Aufsicht eines entsprechend qualifizierten Anleiters.
- Verwenden Sie dieses Werkzeug stets mit äußerster Vorsicht und Aufmerksamkeit.
- Betreiben Sie dieses Werkzeug nur, wenn Sie in guter physischer Verfassung sind. Führen Sie alle Arbeiten ruhig und mit Vorsicht aus. Die Bedienperson ist gegenüber Dritten haftbar.
- Betreiben Sie dieses Werkzeug nie unter dem Einfluss von Alkohol und/oder Medikamenten, oder wenn Sie müde oder erkrankt sind.
- Die Erlaubnis zur Verwendung dieses Werkzeugs kann durch örtlich geltende Gesetze und Bestimmungen eingeschränkt sein.

## Verwendungszweck des Werkzeugs

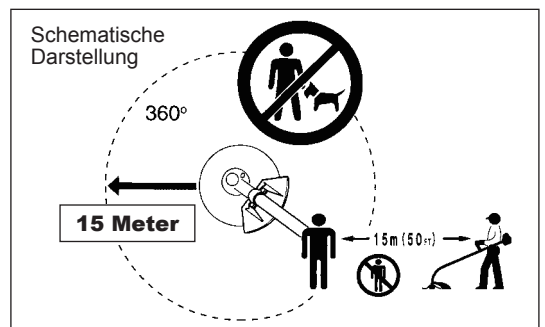
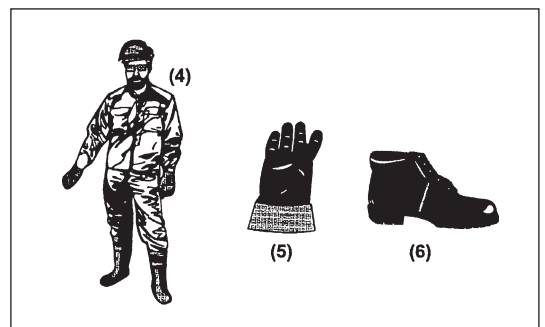
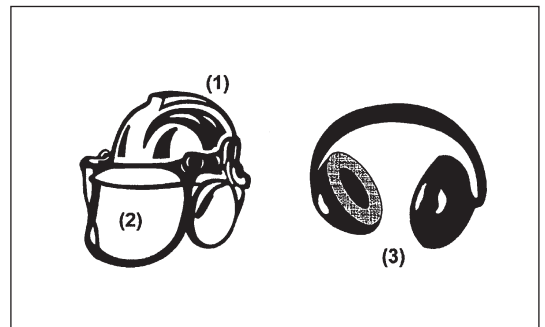
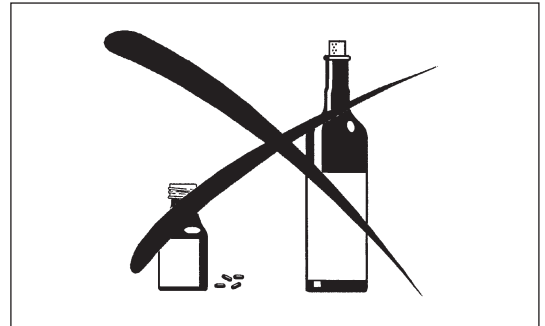
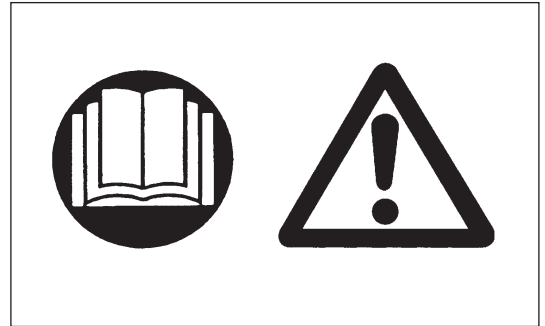
- Dieses Werkzeug darf ausschließlich für das Schneiden von Gras, Unkrautbewuchs, Gestrüpp und Wildwuchs verwendet werden. Das Werkzeug darf nicht für andere Zwecke verwendet werden, beispielsweise zum Beschneiden von Einfassungen oder Hecken, da es dabei zu Verletzungen kommen kann.

## Persönliche Schutzausrüstung

- Tragen Sie zweckmäßige und geeignete Kleidung, d. h. die Kleidung sollte am Körper anliegen, jedoch ohne zu behindern. Tragen Sie keinen Schmuck. Tragen Sie keine Kleidung, mit der Sie sich in Büschen oder Gestrüpp verfangen könnten.
- Um Verletzungen von Gehör, Augen, Händen und Füßen zu vermeiden, aber auch um Ihre Hörleistung zu schützen, ist während des Betriebs des Werkzeugs die folgenden Schutzausrüstungen oder Schutzkleidungen zu tragen.
- Tragen Sie stets einen Helm, wenn die Gefahr herabfallender Gegenstände besteht. Der Schutzhelm (1) muss regelmäßig auf Beschädigungen überprüft und spätestens alle 5 Jahre durch einen neuen Helm ersetzt werden. Verwenden Sie ausschließlich zugelassene Schutzhelme.
- Das Visier (2) des Helms (oder alternativ eine Schutzbrille) schützt das Gesicht vor herumfliegenden Fremdkörpern und Steinen. Tragen Sie während des Betriebs des Werkzeugs eine Schutzbrille oder ein Visier, um Verletzungen der Augen zu vermeiden.
- Tragen Sie einen angemessenen Gehörschutz, um eine Schädigung des Gehörs zu vermeiden (Gehörschutzkapseln (3), Gehörschutzstöpsel usw.).
- Arbeitsanzüge (4) schützen gegen herumfliegende Steine und Fremdkörper. Wir empfehlen dringend, dass der Bediener einen Arbeitsanzug trägt.
- Handschuhe (5) sind Bestandteil der vorgeschriebenen Ausrüstung und müssen bei Betrieb dieses Werkzeugs immer getragen werden.
- Tragen Sie beim Arbeiten mit dem Werkzeug stets feste Schuhe (6) mit rutschfesten Sohlen. Derartige Schuhe schützen vor Verletzungen und geben einen sicheren Halt.

## Starten der Motorsense

- Vergewissern Sie sich, dass sich in einem Arbeitsbereich von 15 m keine Kinder oder andere Personen aufhalten, achten Sie außerdem auf Tiere im Arbeitsbereich.
- Überprüfen Sie vor jeder Verwendung, dass das Werkzeug betriebssicher ist. Prüfen Sie die Sicherheit des Schneidwerkzeugs, den Gashebel auf einfache Bedienung und die Arretierung des Gashebels auf ordnungsgemäße Funktion.
- Im Leerlauf darf sich das Schneidwerkzeug nicht drehen. Wenden Sie sich bei Bedenken an Ihren Händler, um die Einstellungen überprüfen zu lassen. Sorgen Sie dafür, dass die Griffe sauber und trocken sind, und testen Sie die Funktion des Start-/Stoppeschalters.

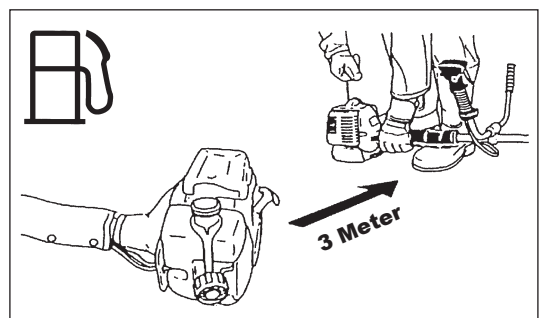
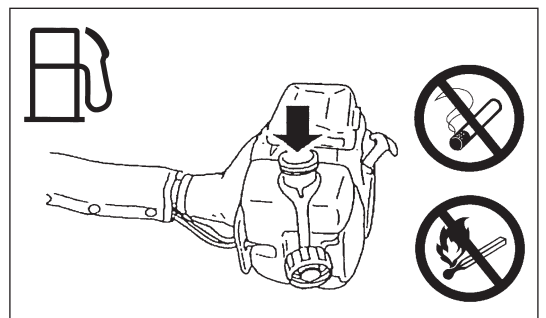
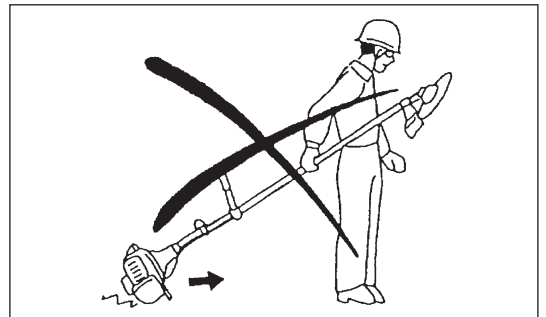
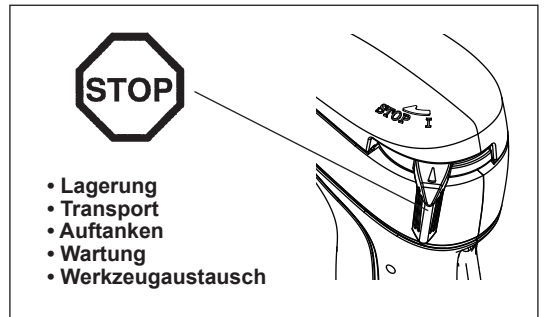
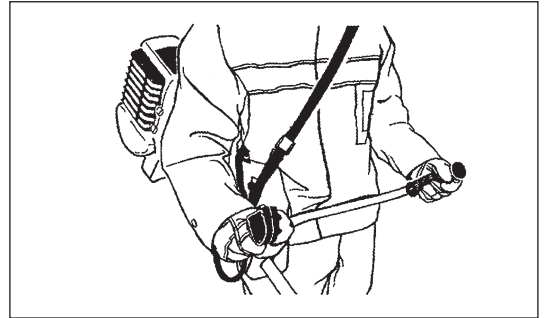
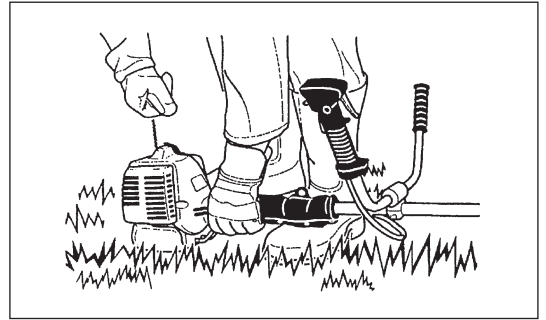


Starten Sie die Motorsense nur gemäß den Anleitungen.

- Starten Sie den Motor auf keine andere Weise!
- Verwenden Sie die Motorsense und die Werkzeuge nur für die angegebenen Zwecke.
- Starten Sie den Motor nur, wenn das Werkzeug vollständig zusammengebaut ist. Der Betrieb des Werkzeugs ist nur gestattet, wenn alles dazugehörige Zubehör anmontiert ist!
- Überprüfen Sie vor dem Starten, dass das Schneidwerkzeug keine harten Gegenstände (Geäst, Steine usw.) berührt, da sich das Schneidwerkzeug beim Starten dreht.
- Schalten Sie den Motor bei Auftreten von Problemen mit dem Motor sofort aus.
- Sollte das Schneidwerkzeug Steine oder andere harte Gegenstände treffen, schalten Sie sofort den Motor aus und überprüfen Sie das Schneidwerkzeug.
- Überprüfen Sie das Schneidwerkzeug in regelmäßigen, kurzen Zeitabständen. Prüfen Sie durch einen Klopfest auf Haarrisse.
- Wenn das Werkzeug einem starken Stoß ausgesetzt wurde oder heruntergefallen ist, überprüfen Sie den Zustand des Werkzeugs, bevor Sie die Arbeiten fortsetzen. Überprüfen Sie das Kraftstoffsystem auf Leckagen und die Bedienelemente und Sicherheitseinrichtungen auf Fehlfunktionen. Wenn Sie einen Schaden bemerken oder sich nicht sicher sind, wenden Sie sich zur Inspektion und Reparatur an unser Ihr autorisiertes Servicecenter.
- Betreiben Sie das Werkzeug nur mit befestigtem Schultergurt; der Schultergurt muss vor Inbetriebnahme der Motorsense an den Bediener angepasst werden. Wichtig ist, dass der Schultergurt auf die Körpergröße des Bedieners eingestellt wird, um ein Ermüden während der Arbeiten zu verhindern. Halten Sie die Motorsense während des Betriebs niemals mit nur einer Hand.
- Halten Sie die Motorsense während des Betriebs mit beiden Händen. Sorgen Sie immer für einen sicheren Stand.
- Betreiben Sie das Werkzeug stets so, dass Sie keine Abgase einatmen. Betreiben Sie den Motor niemals in geschlossenen Räumen (Gefahr einer Gasvergiftung). Kohlenmonoxid ist ein geruchloses Gas.
- Schalten Sie den Motor aus, wenn Sie das Werkzeug ablegen oder wenn Sie das Werkzeug unbeaufsichtigt lassen, und lagern Sie das Werkzeug immer an einem sicheren Ort, um die Gefährdung von Personen und Beschädigungen des Werkzeugs zu vermeiden.
- Legen Sie die heiße Motorsense niemals in trockenes Gras oder auf sonstige entflammbare Materialien ab.
- Bringen Sie stets den Schneidwerkzeugschutz am Werkzeug an, bevor Sie den Motor starten. Andernfalls kann der Kontakt mit dem Schneidwerkzeug schwere Verletzungen verursachen.
- Während des Betriebs müssen alle mit dem Werkzeug gelieferten Schutzvorrichtungen und Abdeckungen verwendet werden.
- Betreiben Sie den Motor niemals mit beschädigtem Auspuffschalldämpfer.
- Schalten Sie den Motor während des Transports aus.
- Bringen Sie vor dem Transportieren des Werkzeugs stets die Abdeckung am Schneidblatt an.
- Sorgen Sie bei Transport des Werkzeugs in einem Fahrzeug für eine sichere Ablage, um das Austreten von Kraftstoff zu vermeiden.
- Sorgen Sie dafür, dass beim Transport der Kraftstofftank des Werkzeugs vollständig leer ist.
- Setzen Sie beim Abladen der Motorsense beim Abladen von einem LKW den Motor niemals hart auf den Boden auf; andererseits kann der Kraftstofftank beschädigt werden.
- Lassen Sie das Werkzeug nur in einem Notfall zu Boden fallen, da dadurch das Werkzeug beschädigt werden kann.
- Heben Sie das Werkzeug bei einem Umsetzen immer vollständig vom Boden ab. Das Ziehen des Werkzeugs am Kraftstofftank ist äußerst gefährlich und kann zu Beschädigung des Tanks oder Auslaufen von Kraftstoff führen und ggf. einen Brand verursachen.

## Auftanken

- Schalten Sie den Motor aus, halten Sie den Motor von offenen Flammen fern und rauchen Sie während des Auftankens nicht.
- Vermeiden Sie Hautkontakt mit Mineralölprodukten. Atmen Sie die Kraftstoffdämpfe nicht ein. Tragen Sie zum Auftanken immer Schutzhandschuhe. Wechseln und reinigen Sie Schutzkleidung regelmäßig.
- Stellen Sie zur Vermeidung einer Kontaminierung des Erdbodens (Umweltschutz) sicher, dass kein Kraftstoff und kein Öl in das Erdreich eindringt. Wischen Sie verschütteten Kraftstoff unverzüglich von der Motorsense ab.
- Achten Sie darauf, dass Ihre Kleidung nicht in Kontakt mit Kraftstoff kommt. Falls Ihre Kleidung in Kontakt mit Kraftstoff gekommen ist, wechseln Sie die Kleidung sofort (Brandgefahr!).
- Überprüfen Sie den Tankdeckel regelmäßig auf ordnungsgemäßen Sitz und auf Dichtheit.
- Schrauben Sie den Tankdeckel ordnungsgemäß fest. Entfernen Sie sich mindesten 3 m vom Ort des Auftankens, bevor Sie den Motor starten.
- Tanken Sie das Werkzeug niemals in geschlossenen Räumen auf. Andernfalls kann es aufgrund einer Ansammlung von Kraftstoffdämpfen auf dem Boden zu einer Explosion kommen.
- Transportieren und lagern Sie Kraftstoff ausschließlich in dafür zugelassenen Behältern. Stellen Sie sicher, dass Kinder keinen Zugang zu gelagertem Kraftstoff haben.





## Handhabung

- Verwenden Sie das Werkzeug nur bei guten Licht- und Sichtverhältnissen. Achten Sie im Winter auf rutschige oder nasse Bereiche, z. B. auf vereiste oder schneebedeckte Flächen (Rutschgefahr). Sorgen Sie immer für einen sicheren Stand.
- Schneiden Sie niemals über Hüfthöhe.
- Schneiden Sie niemals auf einer Leiter stehend.
- Klettern Sie niemals auf Bäume, um mit dem Werkzeug zu schneiden.
- Arbeiten Sie niemals auf nicht stabilen Flächen.
- Entfernen Sie Sand, Steine, Nägel usw. aus dem Arbeitsbereich. Fremdkörper können das Schneidwerkzeug beschädigen und so gefährliche Rückschläge verursachen.
- Vergewissern Sie sich vor Beginn des Schnitts, dass das Schneidwerkzeug die volle Arbeitsdrehzahl erreicht hat.
- Schwingen Sie das Werkzeug bei Verwendung von Metallblättern im Halbkreis von rechts nach links, wie eine Sense. Falls sich Gras oder Äste zwischen dem Schneidwerkzeug und dem Schutz verfangen, stoppen Sie vor dem Reinigen stets den Motor. Andernfalls kann eine unbeabsichtigte Drehung des Blattes schwere Verletzungen verursachen.
- Legen Sie regelmäßig Pausen ein, damit es nicht zu einem Kontrollverlust aufgrund von Ermüdungserscheinungen kommt. Wir empfehlen, jede Stunde eine Pause von 10 bis 20 Minuten einzulegen.

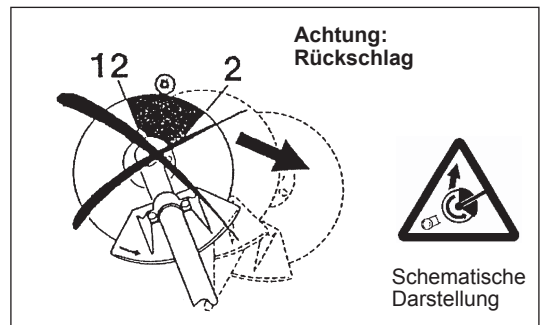


## Schneidwerkzeuge

- Verwenden Sie ein für die anstehenden Arbeiten geeignetes Schneidwerkzeug. Für das Schneiden von Rasengras sind Nylon-Schneidköpfe (Faden-Trimmerkopf) geeignet. Für das Schneiden von Unkraut, hohem Gras, Büschen, Gestrüpp, Unterholz, Dickicht und ähnlichem sind Metallblätter geeignet. Verwenden Sie niemals andere Blätter, auch keine metallischen, mehrteiligen Pivotketten und Schlegelmesser. Anderenfalls kann es zu schweren Verletzungen kommen.
- Vermeiden Sie bei Verwendung von Metallblättern ein Rückschlagen, sogenanntes „Kickback“, und seien Sie auf ein plötzliches Rückschlagen gefasst. Informieren Sie sich in den Abschnitten „Rückschlag“ und „Vermeiden des Rückschlages“

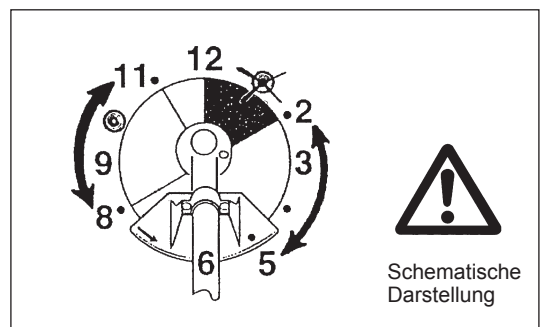
## Rückschlag (Kickback)

- Ein Rückschlagen (Kickback) ist eine plötzliche Reaktion bei einem Verfangen oder Festsitzen des Schneidblatts. Tritt ein Rückschlagen auf, wird das Werkzeug mit großer Kraft seitwärts oder in Richtung des Bedieners geschleudert und kann schwere Verletzungen verursachen.
- Ein Rückschlagen tritt vor allem auf, wenn feste Gegenstände, Büsche und Bäume mit einem Durchmesser von mehr als 3 cm im Schneidblattbereich zwischen 12 und 2 Uhr geschnitten werden.
- So vermeiden Sie ein Rückschlagen:
  - Schneiden Sie im Bereich zwischen 8 und 11 Uhr.
  - Schneiden Sie niemals im Bereich zwischen 12 und 2 Uhr.
  - Schneiden Sie niemals im Bereich zwischen 11 und 12 Uhr sowie zwischen 2 und 5 Uhr, es sei denn, der Bediener ist geschult und erfahren und führt die Arbeiten auf eigene Gefahr aus.
  - Berühren Sie mit den Schneidblättern niemals feste Gegenstände, wie Zäune, Wände, Baumstümpfe und Steine.
  - Verwenden Sie die Schneidblätter niemals senkrecht, beispielsweise zum Abkanten oder Heckenschneiden.



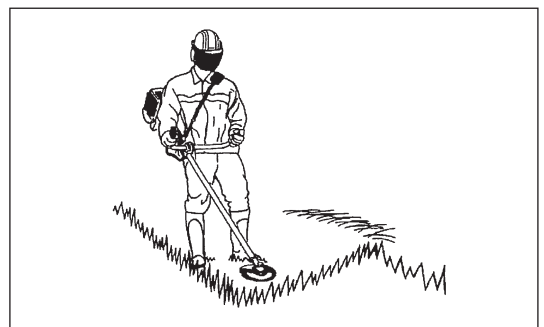
## Schwingung

- Wenn sich Personen mit Durchblutungsstörungen zu starken mechanischen Schwingungen aussetzen, kann es zu Schädigungen von Blutgefäßen und/oder Nervensystem kommen. Folgende Symptome können durch Vibrationen an Fingern, Händen oder Handgelenken auftreten: „Einschlafen“ von Körperteilen (Taubheit), Kribbeln, Schmerz, Stechen, Veränderung von Hautfarbe oder Haut. Falls eines dieser Symptome auftritt, suchen Sie einen Arzt auf!
- Um das Risiko der „Weißfingerkrankheit“ zu verringern, halten Sie Ihre Hände während des Arbeitens warm und warten und pflegen Sie das Werkzeug und Zubehörteile gut.



## Wartungsanweisungen

- Lassen Sie Ihr Werkzeug durch unser autorisiertes Servicecenter warten, verwenden Sie stets nur originale Ersatzteile. Unsachgemäße Reparatur- und Wartungsarbeiten können die Lebenszeit des Werkzeugs verkürzen und das Unfallrisiko erhöhen.
- Überprüfen Sie immer den Zustand des Schneidblatts, vor allem auch der Schutzvorrichtungen und des Schultergurtes, bevor Sie mit der Arbeit beginnen. Achten Sie besonders darauf, dass das Schneidblatt ordnungsgemäß geschärft ist.
- Schalten Sie den Motor aus und ziehen Sie den Zündkerzenstecker ab, bevor Sie das Schneidwerkzeug austauschen oder schärfen; die gilt auch für das Reinigen von Sense und/oder Schneidwerkzeug.



## Beschädigte Schneidwerkzeuge dürfen auf keinen Fall begradigt oder geschweißt werden.

- Nehmen Sie Rücksicht auf die Umwelt und auf Ihre Nachbarn. Vermeiden Sie ein unnötiges Betätigen des Gashebels, damit Umweltbelastung und Geräuschentwicklung so gering wie möglich gehalten werden. Achten Sie auf eine korrekte Vergasereinstellung.
- Reinigen Sie das Werkzeug regelmäßig und überprüfen Sie, ob alle Schrauben und Muttern fest angezogen sind.
- Das Ausführen von Arbeiten am Werkzeug oder das Lagern des Werkzeugs in der Nähe offener Flammen ist verboten.
- Lagern Sie das Werkzeug in einem verschlossenen Raum und nur mit geleeertem Tank.
- Bringen Sie vor dem Reinigen, Warten und Einlagern des Werkzeugs stets die Abdeckung am Schneidblatt an.



Beachten Sie die geltenden Bestimmungen zur Verhinderung von Unfällen, die von den zuständigen Berufsorganisationen und von Versicherungsunternehmen herausgebracht werden.

Nehmen Sie keinerlei technische Veränderungen am Werkzeug vor, da dies Ihre Sicherheit gefährden würde.

Der Bediener darf nur die in dieser Betriebsanleitung beschriebenen Wartungs- und Reparaturarbeiten durchführen. Alle anderen Arbeiten müssen von autorisiertem Wartungspersonal durchgeführt werden. Verwenden Sie ausschließlich originale Ersatz- und Zubehörteile, die von MAKITA freigegeben sind und geliefert werden.

Die Verwendung nicht freigegebener Zubehörteile und Werkzeuge stellt eine erhöhte Unfallgefahr dar.

MAKITA übernimmt keine Haftung für Unfälle oder Schäden, die durch die Verwendung nicht genehmigter Schneidwerkzeuge, Befestigungen der Schneidwerkzeuge und Zubehörteile verursacht werden.

## Erste Hilfe

Stellen Sie für den Fall eines Unfalls sicher, dass in der Nähe der Schneidarbeiten ein Erste-Hilfe-Kasten verfügbar ist. Ersetzen Sie aus dem Erste-Hilfe-Kasten entnommene Materialien sofort.

## Machen Sie folgende Angaben, wenn Sie Hilfe anfordern:

- Ort des Unfalls
- Was ist passiert
- Anzahl der verletzten Personen
- Art der Verletzungen
- Ihr Name



---

Nur für europäische Länder

## EG-Konformitätserklärung

**Wir, Makita Corporation als verantwortlicher Hersteller, erklären, dass die folgenden Geräte der Marke Makita:**

Bezeichnung des Geräts/der Geräte: Motorsense

Nummer / Typ des Modells: EBH252U, EBH253U, EBH252L, EBH253L

Technische Daten: siehe unter „TECHNISCHE DATEN“

in Serienfertigung hergestellt werden und

**den folgenden Richtlinien der Europäischen Union genügen:**

2000/14/EG, 2006/42/EG

Außerdem werden die Maschinen gemäß den folgenden Standards oder Normen gefertigt:

EN ISO 11806-1

Die technische Dokumentation erfolgt durch:

Makita International Europe Ltd., Technical Department,

Michigan Drive, Tongwell, Milton Keynes, Bucks MK15 8JD, England

Das Verfahren zur Konformitätsbewertung, vorgesehen in 2000/14/EG, erfolgte in Übereinstimmung mit Anhang V.

Gemessener Schalleistungspegel: 109,3 dB

Garantierter Schalleistungspegel: 111 dB

19. 12. 2008

A handwritten signature in black ink, appearing to read 'Tomoyasu Kato'.

Tomoyasu Kato  
Direktor

Makita Corporation  
3-11-8, Sumiyoshi-cho,  
Anjo, Aichi, JAPAN

## TECHNISCHE DATEN EBH252U, EBH252L

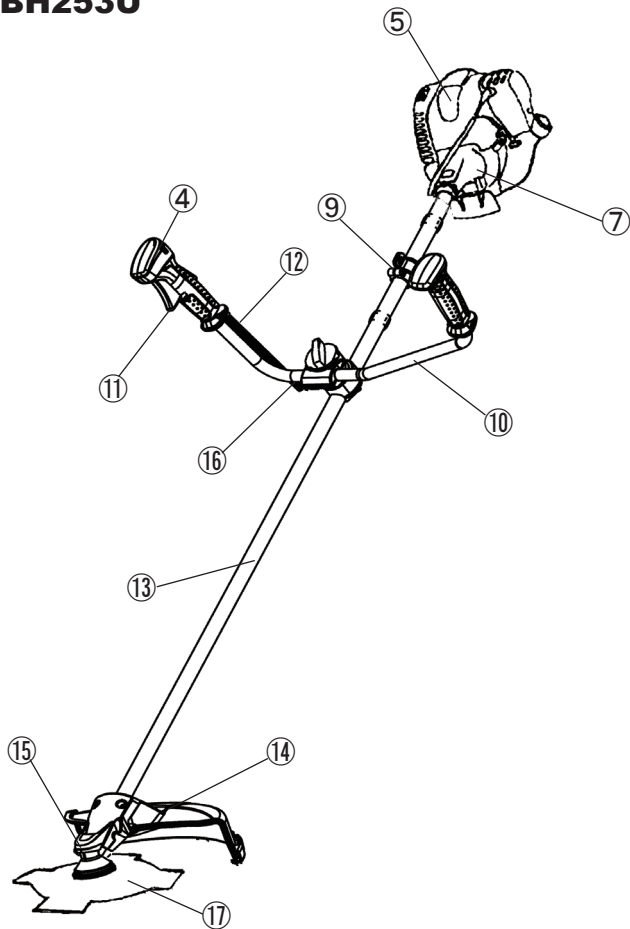
Modell		EBH252U	EBH252L		
		Fahrradgriff	Bügelgriff		
Abmessungen: Länge x Breite x Höhe (ohne Schneidblatt)	mm	1.770 x 620 x 490	1.770 x 330 x 275		
Gewicht (ohne Kunststoffschutz und Schneidblatt)	kg	5,7	5,3		
Volumen (Kraftstofftank)	L	0,5			
Volumen (Öltank)	L	0,08			
Motorhubraum	cm <sup>3</sup>	24,5			
Maximale Motorleistung	kW	0,71 bei 7.000 min <sup>-1</sup>			
Motordrehzahl bei empfohlener max. Spindeldrehzahl	min <sup>-1</sup>	8.500			
Max. Spindeldrehzahl (entsprechend)	min <sup>-1</sup>	6.500			
Maximaler Kraftstoffverbrauch	kg/h	0,33			
Maximaler spezifischer Kraftstoffverbrauch	g/kWh	408			
Leerlaufdrehzahl	min <sup>-1</sup>	3.000			
Vergaser	Typ	WALBRO WYL			
Zündungssystem	Typ	Halbleiterzündung			
Zündkerzenstecker	Typ	NGK CMR4A			
Elektrodenabstand	mm	0,7 - 0,8			
Schwingung nach ISO 22867	Rechter Griff (Hinterer Griff)	$a_{hv\ eq}$	m/s <sup>2</sup>	2,5	5,0
		Unsicherheit K	m/s <sup>2</sup>	0,58	1,23
	Linker Griff (Vorderer Griff)	$a_{hv\ eq}$	m/s <sup>2</sup>	2,9	4,3
		Unsicherheit K	m/s <sup>2</sup>	0,37	0,36
Durchschnittlicher Schalldruckpegel nach ISO 22868	$L_{PA\ eq}$	dBA	97,1		
	Unsicherheit K	dBA	2,4		
Durchschnittlicher Schalleistungspegel nach ISO 22868	$L_{WA\ eq}$	dBA	106,3		
	Unsicherheit K	dBA	1,2		
Kraftstoff		Fahrzeugbenzin			
Motorenöl		SAE 10W-30 Öl der API-Klassifikation, Klasse SF oder höher (4-Viertaktmotor für Autos)			
Schneidwerkzeuge (Schneidklingen-Durchmesser)	mm	230			
Getriebeübersetzung		14/19			

## TECHNISCHE DATEN EBH253U, EBH253L

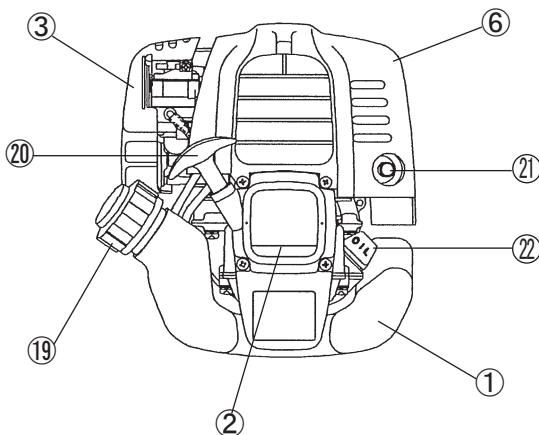
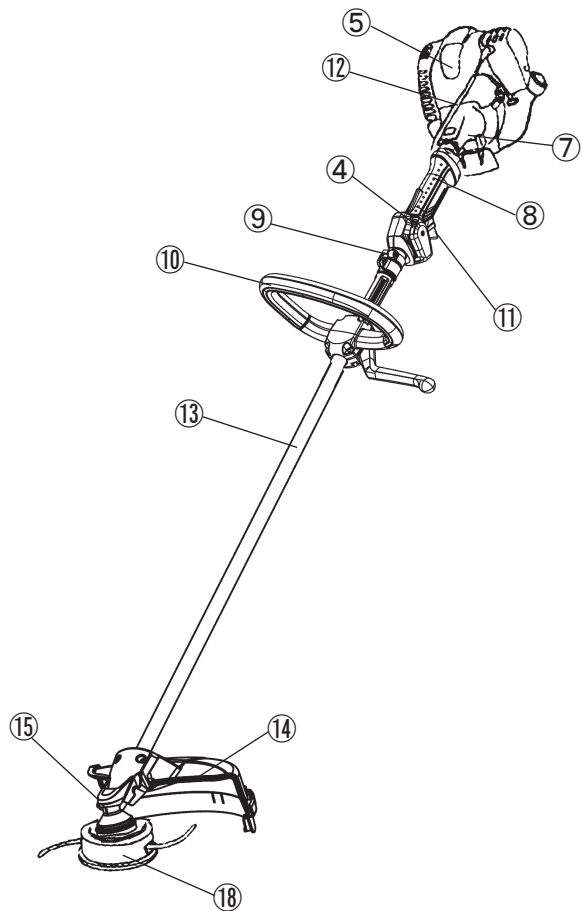
Modell		EBH253U		EBH253L		
		Fahrradgriff		Bügelgriff		
Abmessungen: Länge x Breite x Höhe (ohne Schneidblatt)		mm	1.770 x 620 x 490		1.770 x 330 x 275	
Gewicht (ohne Kunststoffschutz und Schneidblatt)		kg	5,9		5,4	
Volumen (Kraftstofftank)		L	0,5			
Volumen (Öltank)		L	0,08			
Motorhubraum		cm <sup>3</sup>	24,5			
Maximale Motorleistung		kW	0,71 bei 7.000 min <sup>-1</sup>			
Motordrehzahl bei empfohlener max. Spindeldrehzahl		min <sup>-1</sup>	8.500			
Max. Spindeldrehzahl (entsprechend)		min <sup>-1</sup>	6.500			
Maximaler Kraftstoffverbrauch		kg/h	0,33			
Maximaler spezifischer Kraftstoffverbrauch		g/kWh	408			
Leerlaufdrehzahl		min <sup>-1</sup>	3.000			
Vergaser		Typ	WALBRO WYL			
Zündungssystem		Typ	Halbleiterzündung			
Zündkerzenstecker		Typ	NGK CMR4A			
Elektrodenabstand		mm	0,7 - 0,8			
Schwingung nach ISO 22867	Rechter Griff (Hinterer Griff)	$a_{hv\ eq}$	m/s <sup>2</sup>	2,6	5,3	
		Unsicherheit K	m/s <sup>2</sup>	0,83	1,22	
	Linker Griff (Vorderer Griff)	$a_{hv\ eq}$	m/s <sup>2</sup>	2,3	4,4	
		Unsicherheit K	m/s <sup>2</sup>	0,52	0,21	
Durchschnittlicher Schalldruckpegel nach ISO 22868		$L_{PA\ eq}$	dBA	97,1		
		Unsicherheit K	dBA	2,4		
Durchschnittlicher Schalleistungspegel nach ISO 22868		$L_{WA\ eq}$	dBA	106,3		
		Unsicherheit K	dBA	1,2		
Kraftstoff			Fahrzeugbenzin			
Motorenöl			SAE 10W-30 Öl der API-Klassifikation, Klasse SF oder höher (4-Viertaktmotor für Autos)			
Schneidwerkzeuge (Schneidklingen-Durchmesser)		mm	230			
Getriebeübersetzung			14/19			

## BEZEICHNUNG DER BAUTEILE

**EBH252U  
EBH253U**



**EBH252L  
EBH253L**



D	BEZEICHNUNG DER BAUTEILE
1	Kraftstofftank
2	Seilspulstarter
3	Luftreiniger
4	I/O-Schalter (EIN/AUS)
5	Zündkerzenstecker
6	Abluftschalldämpfer
7	Kupplungsgehäuse
8	Hinterer Griff
9	Aufhängung
10	Griff
11	Regelungshebel
12	Regelungskabel
13	Spindel
14	Schutz (Schutz für Schneidwerkzeug)
15	Getriebegehäuse / Kopfgehäuse
16	Griffhalterung
17	Schneidklinge
18	Nylon-Schneidkopf
19	Tankdeckel
20	Starterknopf
21	Abluftleitung
22	Ölstandsanzeiger

## MONTIEREN DES GRIFFS

**ACHTUNG:** Stoppen Sie vor allen Arbeiten mit der Motorsense den Motor und ziehen Sie den Zündkerzenstecker von der Zündkerze.  
Tragen Sie immer Schutzhandschuhe!

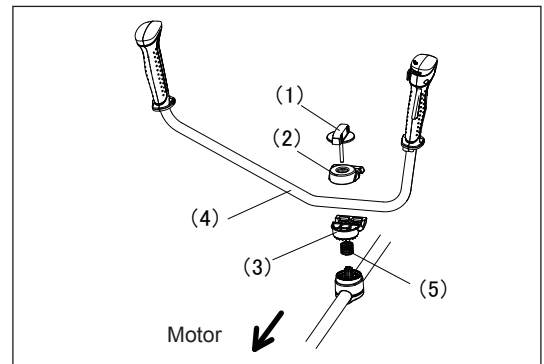
**ACHTUNG:** Stellen Sie sicher, dass Sie die Motorsense vor dem Start wieder vollständig montiert haben.



### Für Modelle mit Fahrradgriff

- Lösen Sie den Knauf (1).
- Richten Sie den Griff (4) zwischen Griffklemme (2) und Griffhalterung (3) aus.
- Richten Sie den Griff (4) in einem Winkel aus, der Ihnen eine komfortable Arbeitsposition ermöglicht und sichern Sie diesen anschließend, indem Sie den Knauf (1) handfest anziehen.

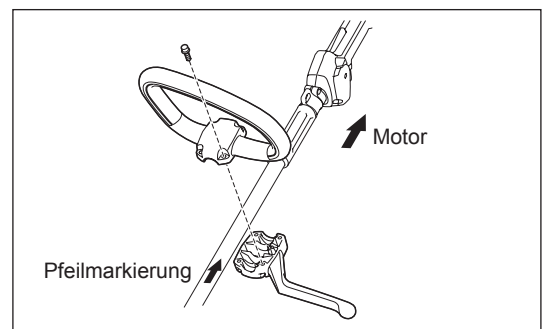
**ACHTUNG:** Vergessen Sie nicht, die Feder mit zu montieren (5).



### Für Modelle mit Bügelgriff

- Befestigen Sie an der linken Seite eine Sperre zusammen mit dem Griff, um den Bediener zu schützen.
- Stellen Sie sicher, dass die Baugruppe aus Griff/Sperre zwischen das Distanzstück und die Pfeilmarkierung platziert wird.

**WARNUNG:** Entfernen oder kürzen Sie das Distanzstück nicht. Das Distanzstück hält einen bestimmten Abstand zwischen beiden Händen. Das Platzieren des Griiffs/der Sperre näher als die Länge des Distanzstücks zum anderen Griff kann zu Kontrollverlust und schweren Verletzungen führen.



## MONTIEREN DES SCHUTZES

Zur Einhaltung der geltenden Sicherheitsstandards dürfen Sie nur die in dieser Übersicht aufgezeigten Werkzeug-Schutz-Kombinationen verwenden.

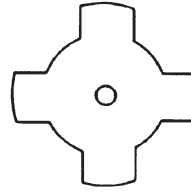


### Verwenden Sie ausschließlich originale Schneidklingen / Nylon-Schnittköpfe von MAKITA.

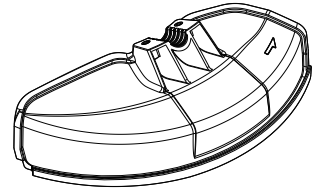
- Die Schneidklinge muss gut glänzen und darf keine Risse oder Brüche aufweisen. Falls die Schneidklinge während des Betriebs gegen Steine schlägt, stoppen Sie den Motor und überprüfen Sie die Klinge sofort.
- Polieren oder ersetzen Sie die Schneidklinge aller drei Betriebsstunden.
- Falls der Nylon-Schneidkopf während des Betriebs gegen Steine schlägt, stoppen Sie den Motor und überprüfen Sie den Nylon-Schneidkopf sofort.

**ACHTUNG:** Für Ihre eigene Sicherheit und für die Einhaltung der Bestimmungen zur Unfallverhinderung müssen Sie stets den entsprechenden Schutz anbringen. Der Betrieb des Werkzeugs ohne installiertem Schutz ist verboten. Der Außendurchmesser der Schneidklinge muss 230 mm (9 - 1/16") betragen. Verwenden Sie niemals Schneidklingen, deren Außendurchmesser mehr als 230 mm (9 - 1/16") beträgt.

Metallschneide



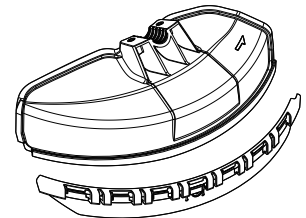
Schutz für Metallschneiden



Nylon-Schneidkopf

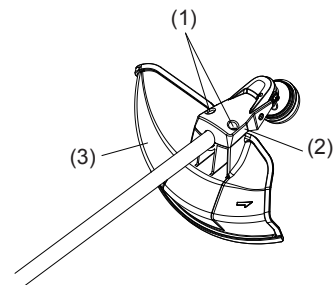


Schutz für Nylon-Schneidkopf



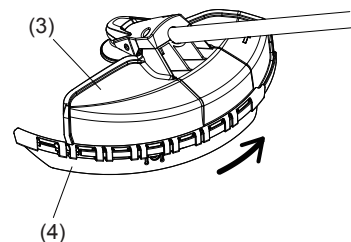
- Befestigen Sie bei Verwendung einer Metallschneide den Schutz (3) mit zwei Schrauben M6 x 30 (1) an der Klemme (2).

**HINWEIS:** Ziehen Sie die rechte und linke Schraube gleichmäßig fest, sodass die Lücke zwischen der Klemme (2) und dem Schutz (3) gleich bleibt. Andernfalls könnte der Schutz ggf. nicht wie angegeben funktionieren.

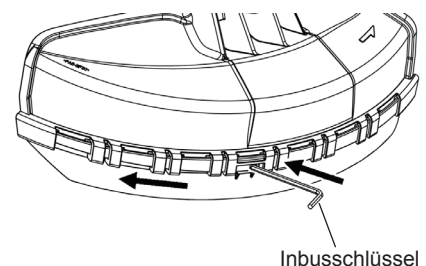


- Vergewissern Sie sich bei Verwendung des Nylonseilschneiders, dass der Schutz für den Nylonseilschneider (4) auf dem Schutz der Metallschneide montiert ist (3).
- Montieren Sie den Schutz des Nylonseilschneiders (4), indem Sie den Schutz an der Flanke des Schutzes der Metallschneide (3) hineinschieben, wie in der Abbildung dargestellt.
- Entfernen Sie das auf der Schneide aufgeklebte Band am Schutz des Nylonseilschneiders (4).

**ACHTUNG:** Überprüfen Sie, dass Sie den Schutz des Nylonseilschneiders (4) vollständig eingedrückt haben. Achten Sie darauf, dass Sie sich nicht beim Abschneiden des Nylonseils an der Schneide verletzen.



- Um den Schutz für den Nylonseilschneider (4) abzunehmen, führen Sie einen Inbusschlüssel in die Kerbe am Schutzes der Metallschneide (3) ein, drücken Sie den Schlüssel hinein und schieben Sie gleichzeitig den Schutz für den Nylonseilschneider (4) ab.

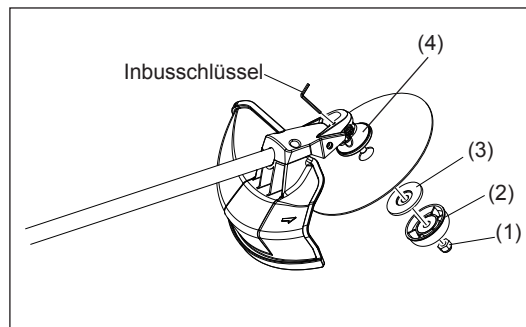


## MONTIEREN DER SCHNEIDKLINGE / DES NYLON-SCHNEIDKOPFES

Die Schneidklinge oder den Nylon-Schneidkopf können Sie einfach austauschen, wenn Sie vorher das Werkzeug umdrehen.



- Stecken Sie den Inbusschlüssel durch die Öffnung im Getriebegehäuse und drehen Sie die Aufnahmescheibe (4), bis diese mit dem Inbusschlüssel einrastet.
- Lösen Sie die Mutter (1) (Linksgewinde) mit dem Steckschlüssel, und entfernen Sie die Mutter (1), den Ring (2) und die Klemmscheibe (3).

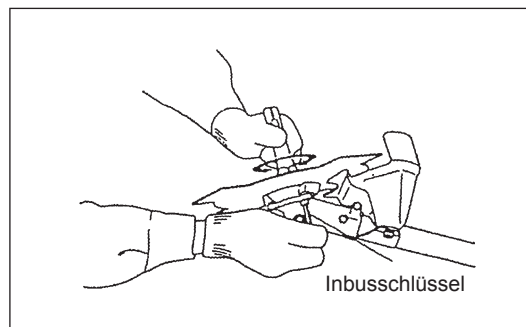


### Montieren der Schneidklinge mit eingestecktem Inbusschlüssel

- Montieren Sie die Schneidklinge auf dem Schaft, sodass die Führung der Aufnahmescheibe (4) in das Spindeloch in der Schneidklinge passt. Befestigen Sie die Klemmscheibe (3), den Ring (2) und sichern Sie die Schneidklinge mit der Mutter (1).  
[Anzugsmoment: 13 bis 23 Nm]

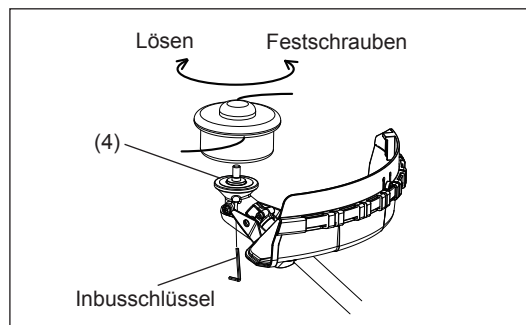
HINWEIS: Tragen Sie beim Umgang mit der Schneidklinge immer Schutzhandschuhe.

HINWEIS: Die Mutter zum Festziehen der Schneidklinge (mit Federscheibe) ist ein Verschleißteil. Wenn Sie Verschleiß oder Deformation an der Federscheibe feststellen, ersetzen Sie die Mutter.

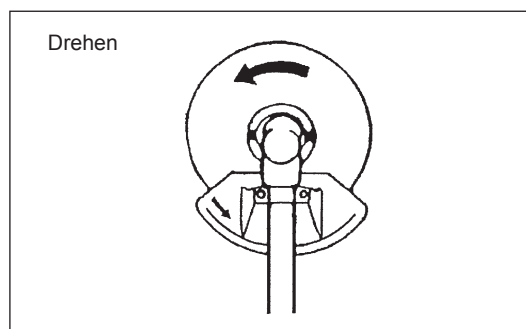


### Montieren des Nylon-Schneidkopfes

- Für die Montage des Nylon-Schneidkopfes werden die Klemmscheibe (3), der Ring (2) und die Mutter (1) nicht benötigt. Der Nylon-Schneidkopf muss auf die Aufnahmescheibe (4) passen.
- Stecken Sie den Inbusschlüssel durch die Öffnung im Getriebegehäuse und drehen Sie die Aufnahmescheibe (4), bis diese mit dem Inbusschlüssel einrastet.
- Schrauben Sie anschließend den Nylon-Schneidkopf auf den Schaft auf, indem Sie den Schnittkopf entgegen dem Uhrzeigersinn drehen.
- Entfernen Sie den Inbusschlüssel.



- Vergewissern Sie sich, dass die Klinge gegen den Uhrzeigersinn dreht.





## VOR DEM BETRIEB

### Inspektion und Nachfüllen von Motorenöl

- Gehen Sie dazu wie folgt vor, wenn der Motor abgekühlt ist.
- Entfernen Sie bei Beibehaltung des Antriebsniveaus den Ölstandsanzeiger und überprüfen Sie, dass der Ölstand zwischen den oberen und unteren Begrenzungsmarken liegt.  
Wenn der Ölstand so niedrig sein sollte, dass nur die Spitze der Ölstandsanzeige das Öl berührt, vor allem bei in das Motorgehäuse eingesteckter, aber nicht festgeschraubter Ölstandsanzeige (Abb. 1), füllen Sie Öl über die Öffnung nach (Abb. 2).
- Hinweis: Die Ölnachfüllzeit beträgt etwa 10 h (10 Mal oder 10 Tanks Ölnachfüllung).  
Falls das Öl seine Farbe ändert oder sich mit Schmutz vermischt, ersetzen Sie es durch neues Öl. (Weitere Informationen zum Intervall und der Methode des Ölwechsels finden Sie auf Seite 111)

**Intervall für den Ölwechsel:** SAE 10W-30 Öl der API-Klassifikation, Klasse SF oder höher (4-Viertaktmotor für Autos)  
**Ölmenge:** ca. 0,08 l

Hinweis: Falls der Motor nicht aufrecht gehalten wird, kann Öl rund um den Motor fließen, sodass zuviel Öl nachgefüllt wird.  
Falls zuviel Öl eingefüllt wird, kann das Öl verschmutzt werden oder mit weißem Rauch Feuer fangen.

#### Punkt 1 beim Ölwechsel: „Ölstandsanzeiger“

- Entfernen Sie Staub und Schmutz um den Öleinfüllstutzen und entfernen Sie den Ölstandsanzeiger.
- Halten Sie die entfernte Ölstandsanzeige frei von Sand und Staub. Andernfalls kann anhaftender Sand oder Staub eine abnormale Ölzirkulation oder einen Verschleiß der Motorteile verursachen und Probleme verursachen.
- Um die Ölstandsanzeige sauber zu halten, wird empfohlen, diese an der Knaufseite in die Motorabdeckung einzusetzen (siehe Abb. 3).

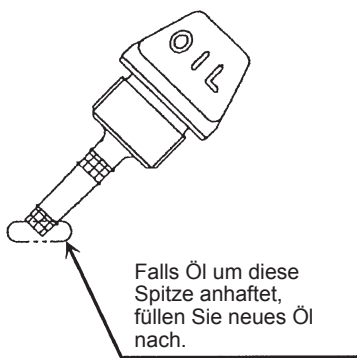


Abb. 1

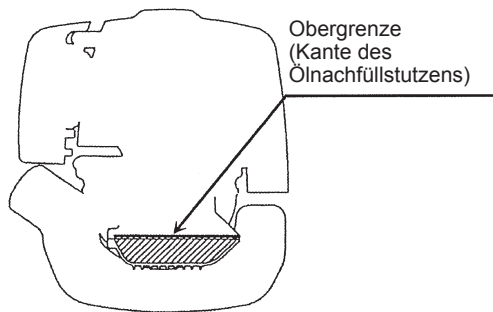


Abb. 2

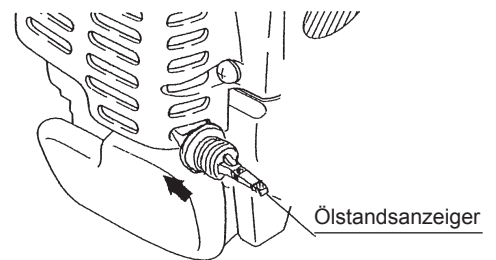
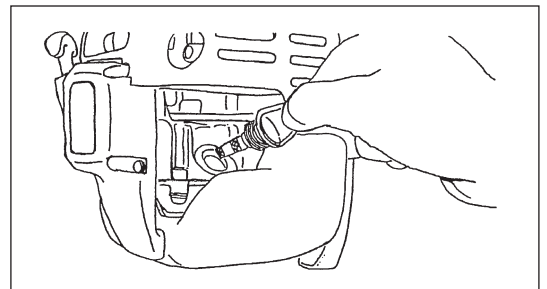
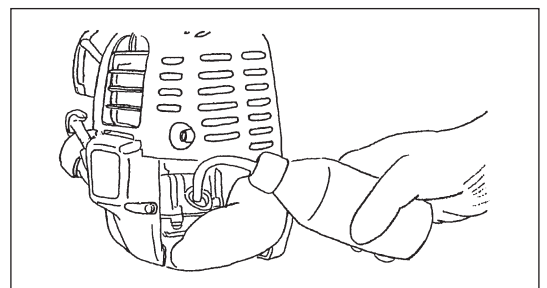


Abb. 3

(1) Halten Sie das Antriebsniveau und trennen Sie die Ölstandsanzeige ab.



(2) Füllen Sie Öl bis zur Kante des Ölnachfüllstutzens auf. (Siehe Abb. 2 der vorhergehenden Seite)  
Füllen Sie Öl über den Schmiermittel-Nachfüllcontainer ein.



(3) Ziehen Sie die Ölstandsanzeige fest. Bei unzureichendem Festziehen kann Öl auslaufen.

### **Punkt 2 beim Ölwechsel: „Falls Öl ausläuft“**

- Falls Öl zwischen Kraftstofftank und Motorenhauptblock ausläuft, wird das Öl über den Kühllufteinlass angesaut, sodass der Motor verunreinigt wird. Vergewissern Sie sich, dass Sie vor dem Start des Betriebs alles ausgelaufene Öl abgewischt haben.

## **AUFTANKEN**

### **Umgang mit dem Kraftstoff**

Beim Umgang mit Kraftstoff ist äußerste Vorsicht geboten. Kraftstoffe können Substanzen enthalten, die Lösungsmitteln entsprechen. Tanken Sie nur in einem gut belüfteten Raum oder im Freien auf. Atmen Sie die Kraftstoffdämpfe nicht ein, und vermeiden Sie jeglichen Kontakt mit dem Kraftstoff. Durch anhaltenden oder wiederholten Hautkontakt wird Ihre Haut trocken, was zu Hauterkrankungen oder allergischen Reaktionen führen kann. Falls Kraftstoff in Ihre Augen gelangt, reinigen Sie diese sofort mit frischem Wasser. Falls die Augenirritation anhält, suchen Sie einen Arzt auf.

### **Aufbewahrungszeitraum von Kraftstoff**

Der Kraftstoff sollte innerhalb eines Zeitraums von 4 Wochen verwendet werden, auch wenn er in einem speziellen Container an einem gut belüfteten, schattigen Ort gelagert wird.

Falls kein spezieller Container verwendet wird, oder falls der Container nicht verschlossen wird, kann der Kraftstoff innerhalb eines Tages zerfallen.

### **LAGERUNG DES WERKZEUGS UND AUFTANKEN**

- Lagern Sie das Werkzeug und den Tank an einem kühlen Ort ohne direkte Sonneneinstrahlung.
- Lagern Sie Kraftstoff niemals in der Zelle oder im Schlauch.

## **Kraftstoff**

Der Motor ist ein Vier-Takt-Motor. Vergewissern Sie sich, dass Sie Fahrzeugbenzin (Normal- oder Super-Benzin) verwenden.

### **Wichtige Punkte beim Tanken**

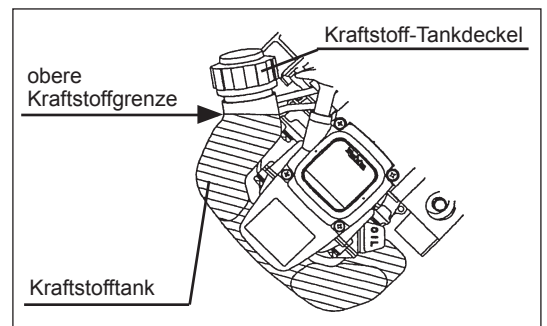
- Verwenden Sie niemals ein Gemisch aus Benzin und Motorenöl. Andernfalls treten übermäßige Kohleablagerungen oder mechanische Probleme auf.
- Die Verwendung von zersetztem Öl führt zu einem ungleichförmigen Anlaufen.

## **Auftanken**

### **WARNUNG: UMGANG MIT FEUER STRENGSTENS VERBOTEN**

**Verwendetes Benzin:** Fahrzeugbenzin (bleifreies Benzin)

- Öffnen Sie den Tankdeckel ein wenig, um einen Druckausgleich zu gewährleisten.
  - Entfernen Sie den Tankdeckel. Tanken Sie auf und leiten Sie die Luft ab, indem Sie den Kraftstofftank neigen, sodass der Nachfüllstutzen nach oben zeigt. (Füllen Sie Kraftstoff niemals bis zum Ölnachfüllstutzen.)
  - Wischen Sie um den Tankdeckel gut sauber, damit keine Fremdkörper in den Kraftstofftank eindringen können.
  - Schrauben Sie nach dem Auftanken den Tankdeckel sicher fest.
- Falls der Tankdeckel einen Riss oder eine Beschädigung aufweist, ersetzen Sie ihn.
  - Der Tankdeckel ist ein Verschleißartikel und sollte daher alle zwei bis drei Jahre erneuert werden.



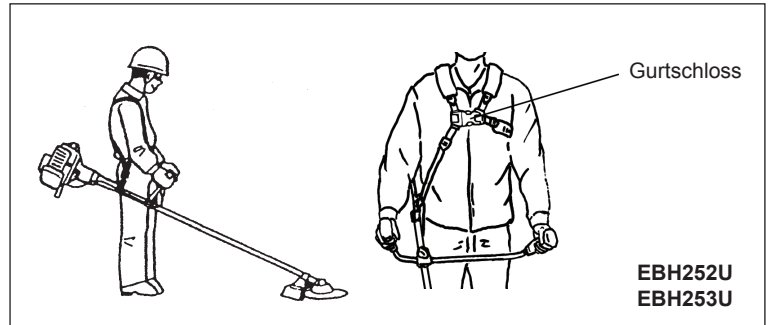
## RICHTIGE HANDHABUNG DES WERKZEUGS

### Befestigen des Schultergurtes

- Stellen Sie die Gurtlänge so ein, dass die Schneidklinge parallel zum Boden verläuft.

### Für EBH252U, EBH253U

HINWEIS: Achten Sie darauf, dass sich Ihre Kleidung usw. nicht im Gurtschloss verfängt.

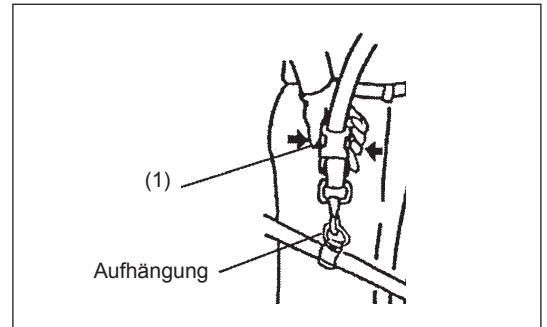


### Trennen

### Für EBH252L, EBH253L

- Drücken Sie im Notfall die Einrastungen (1) an beiden Seiten und Sie können die Anlage von Ihnen trennen. Gehen Sie äußerst vorsichtig vor, damit Sie jederzeit die Kontrolle über das Werkzeug behalten. Lassen Sie nicht zu, dass das Werkzeug in Ihre Richtung oder in Richtung anderer Personen in Ihrer Nähe abprallt.

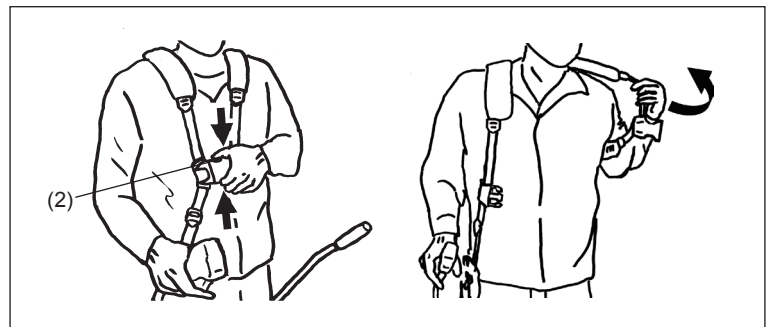
WARNUNG: Andernfalls können Sie die Kontrolle über das Werkzeug verlieren und schwere oder TÖDLICHE Verletzungen verursachen.



### Für EBH252U, EBH253U

- Drücken Sie im Notfall die Einrastungen (2) an beiden Seiten und Sie können die Anlage von Ihnen trennen. Gehen Sie äußerst vorsichtig vor, damit Sie jederzeit die Kontrolle über das Werkzeug behalten. Lassen Sie nicht zu, dass das Werkzeug in Ihre Richtung oder in Richtung anderer Personen in Ihrer Nähe abprallt.

WARNUNG: Andernfalls können Sie die Kontrolle über das Werkzeug verlieren und schwere oder TÖDLICHE Verletzungen verursachen.



## WICHTIGE BETRIEBSSCHRITTE UND STOPPEN DES WERKZEUGS

Beachten Sie die geltenden Bestimmungen zur Unfallvermeidung!

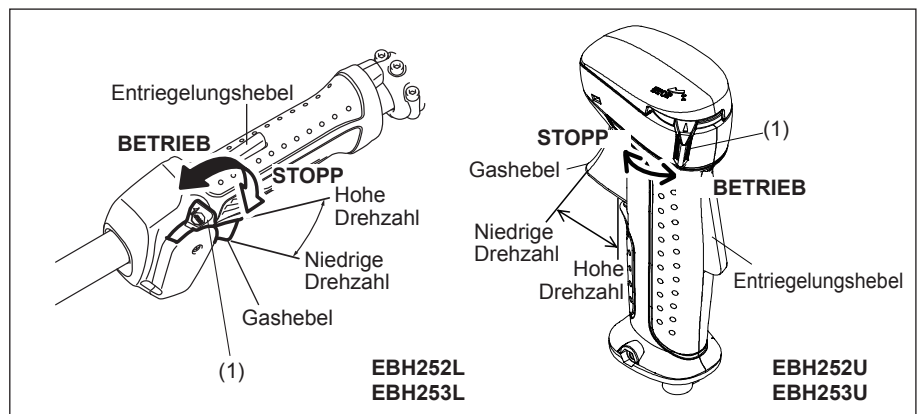


### STARTEN

Bewegen Sie sich mindestens 3 m von dem Platz des Auftankens weg. Legen Sie die Motorsense auf einem sauberen Untergrund ab und achten Sie darauf, dass das Schneidwerkzeug nicht in Kontakt mit dem Erdboden oder anderen Gegenständen kommt.

### A: Kaltstart

- 1) Legen Sie das Werkzeug auf einer ebenen Fläche ab.



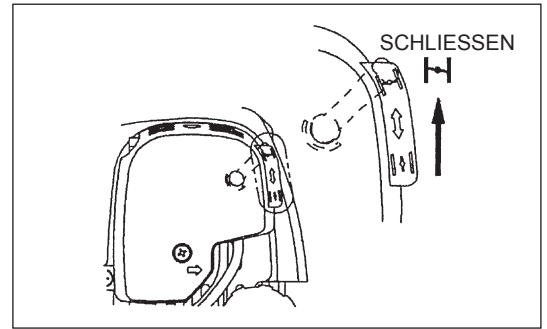
2) Stellen Sie den I/O-Schalter (1) auf BETRIEB.

3) Choke-Hebel

Schließen Sie den Choke-Hebel.

Öffnen des Chokes:

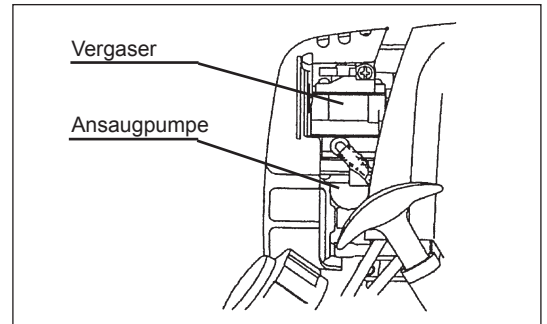
- Bei kalten Temperaturen oder wenn der Motor kalt ist, ist der Choke völlig geschlossen.
- Direkt nach dem Stopp des Betriebs ist der Choke voll oder halb geöffnet.



4) Ansaugpumpe

Drücken Sie die Ansaugpumpe weiter, bis Kraftstoff in die Ansaugpumpe eintritt. (Im Allgemeinen tritt Kraftstoff nach 7 bis 10 Pumpvorgängen in die Ansaugpumpe ein.)

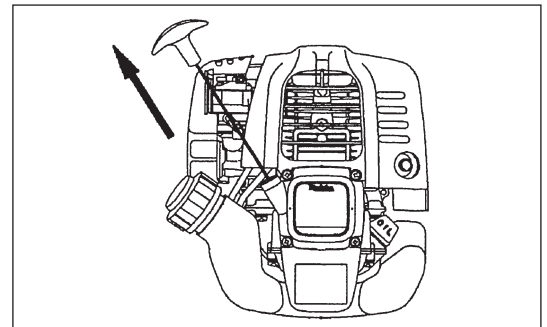
Falls die Ansaugpumpe übermäßig gedrückt wird, fließt das übermäßige Benzin zurück in den Kraftstofftank.



5) Rückstoßstarter

Ziehen Sie langsam den Starterknopf, bis dieser schwer zu ziehen ist (Verdichtungspunkt). Schieben Sie den Starterknopf anschließend zurück und ziehen Sie den Starterknopf nun kräftig.

Ziehen Sie das Seil niemals ganz. Lassen Sie beim Ziehen des Starterknopfs niemals unvermittelt los. Halten Sie den Starterknopf, bis dieser in die ursprüngliche Lage zurückgekehrt ist.



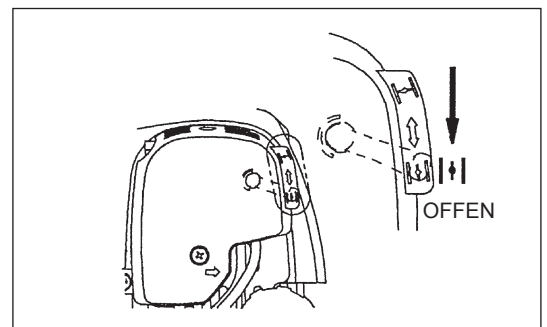
6) Choke-Hebel

Öffnen Sie zum Starten des Motors den Choke-Hebel.

- Öffnen Sie den Choke-Hebel immer mehr, während Sie den Betrieb des Motors prüfen. Vergewissern Sie sich, dass Sie den Choke-Hebel vollständig öffnen.
- Öffnen Sie im kalten oder abgekühlten Zustand des Motors den Choke-Hebel niemals plötzlich. Andernfalls stoppt der Motor.

7) Aufwärmbetrieb

Setzen Sie den Aufwärmbetrieb für 2 bis 3 Minuten fort.



Hinweis: - Wenn Sie den Startergriff wiederholt ziehen, und der Choke-Hebel sich in der Position SCHLIESSEN befindet, startet der Motor aufgrund der übermäßigen Kraftstoffaufnahme nicht leicht.

- Falls übermäßig Kraftstoff aufgenommen wird, entfernen Sie die Zündkerze und ziehen Sie den Startergriff langsam, um den übermäßigen Kraftstoff zu entfernen. Trocknen Sie außerdem den Bereich der Elektrode an der Zündkerze.

### Vorsichtsmaßnahmen bei Betrieb:

Falls der Gashebel während des Leerlaufbetriebs vollständig geöffnet ist, erreicht die Motordrehzahl über 10.000 U/min. Betreiben Sie den Motor niemals mit einer höheren Drehzahl als erforderlich, halten Sie eine Drehzahl von ca. 6.000 bis 8.500 U/min<sup>ein</sup>.

## B: Anlaufen nach dem Aufwärmbetrieb

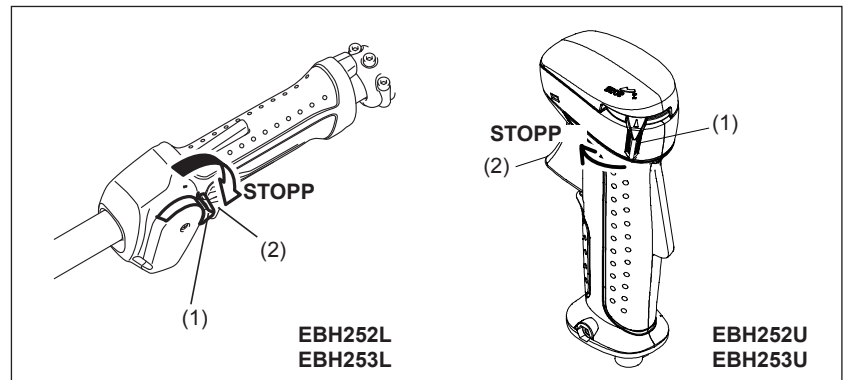
- 1) Drücken Sie die Ansaugpumpe wiederholt.
- 2) Halten Sie den Gashebel in der Leerlaufposition.
- 3) Ziehen Sie den Rückstoßstarter kräftig.
- 4) Falls sich der Motor schwer starten lässt, öffnen Sie den Gashebel um 1/3. Achten Sie auf die Schneidklinge, sie könnte sich drehen.

### Achtung bei Betrieb

Wird der Motor in umgedrehter Position betrieben, kann aus dem Schalldämpfer weißer Rauch austreten.

## STOPPEN

- 1) Lassen Sie den Gashebel (2) vollkommen los, und drücken Sie, wenn sich die Motordrehzahl verlangsamt hat, den I/O-Schalter in die Position STOPP, um den Motor zu stoppen.
- 2) Beachten Sie, dass der Schneidkopf nicht sofort stoppt, und prüfen Sie, dass dieser von selbst langsamer wird.

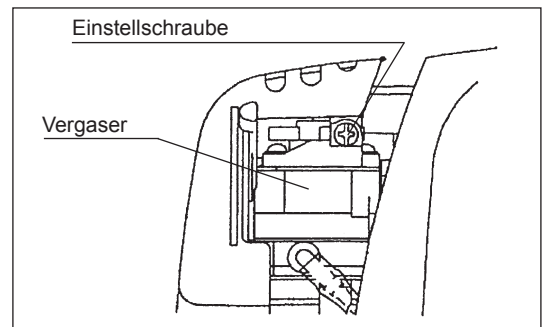


## ANPASSEN DER NIEDERDREHZAH (LEERLAUF)

Passen Sie die Leerlaufdrehzahl bei Bedarf mit Hilfe der Vergaser-Einstellschraube an.

## ÜBERPRÜFEN DER NIEDERDREHZAH

- Stellen Sie die Leerlaufdrehzahl auf 3.000 U/min ein<sup>1</sup>. Passen Sie die Leerlaufdrehzahl bei Bedarf an, indem Sie die Einstellschraube (rechts abgebildet) mit einem Kreuzschlitz-Schraubendreher regulieren.
- Drehen Sie die Einstellschraube nach rechts, um die Motordrehzahl zu erhöhen. Drehen Sie die Einstellschraube nach links, um die Motordrehzahl zu verringern.
- Im Allgemeinen wurde der Vergaser vor dem Versand eingestellt. Falls eine Neueinstellung erforderlich ist, wenden Sie sich bitte an ein autorisiertes Servicezentrum.



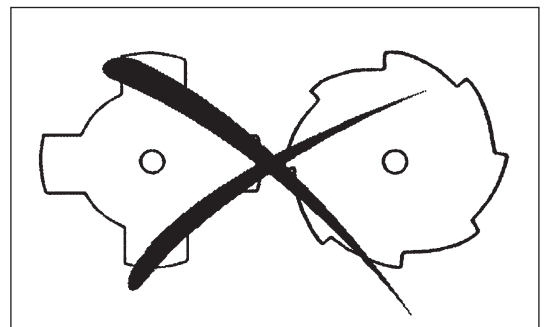
## SCHÄRFEN DES SCHNEIDWERKZEUGS



**ACHTUNG:** Die im Folgenden aufgeführten Schneidwerkzeuge dürfen nur durch autorisierte Einrichtungen geschärft werden. Manuelles Neuschärfen führt zu Unwuchten des Schneidwerkzeugs, wodurch Vibrationen und Beschädigungen des Werkzeugs verursacht werden.

- Schneidklinge  
Professionelle Schärfe- und Auswuchtdienste werden von autorisierten Dienstleistungsunternehmen angeboten.

**HINWEIS:** Zur Verbesserung der Lebenszeit der Schneidklinge muss die Klinge möglicherweise umgedreht werden, damit sich beide Schneidkanten abnutzen.



## NYLON-SCHNEIDKOPF

Der Nylon-Schneidkopf ist ein zweiseitiger Rasentrimmerkopf mit automatischen und Stoß-Zufuhr-Mechanismen.

Der Nylon-Schneidkopf gibt automatisch die entsprechende Länge des Nylonseils heraus, dies geschieht durch Ändern der Zentrifugalkraft aufgrund der Zunahme oder Abnahme der Drehzahl. Um weiches Gras jedoch wirksamer zu schneiden, stoßen Sie den Nylon-Schneidkopf gegen den Boden, um ein Stück zusätzliches Seil herauszuführen (siehe Betriebsabschnitt).

### Betrieb

- Erhöhen Sie die Drehzahl des Nylon-Schneidkopfes auf ca. 6.000 U/min<sup>-1</sup>. Bei niedrigeren Drehzahlen (unter 4.800 U/min)<sup>-1</sup> wird das Nylonseil nicht korrekt herausgeführt.
- Der effektivste Schnittbereich ist in der Abbildung rechts schraffiert dargestellt.

Falls das Nylonseil nicht automatisch herausgeführt wird, gehen Sie wie folgt vor:

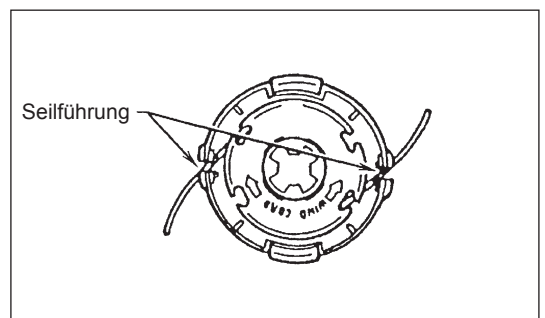
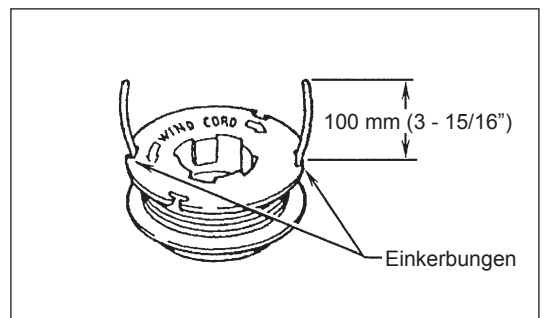
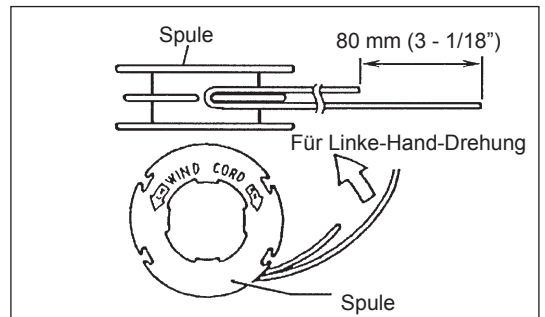
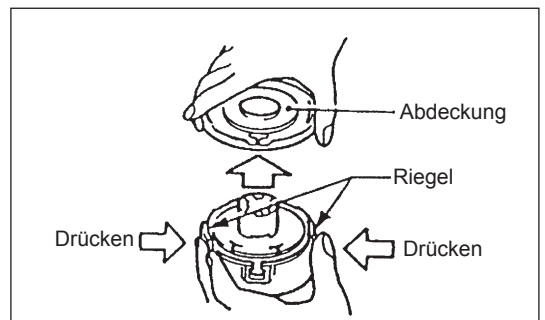
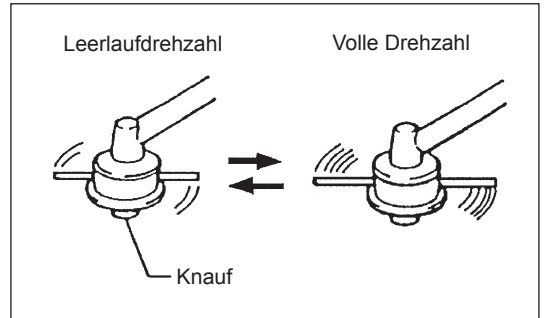
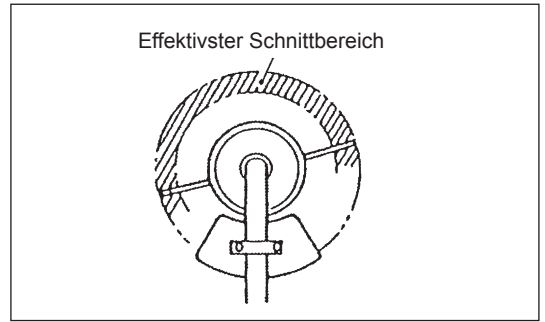
1. Lassen Sie den Gashebel los, sodass der Motor im Leerlauf ist, und drücken Sie den Gashebel dann ganz ein. Wiederholen Sie dies, bis das Nylonseil die richtige Länge hat.
2. Falls das Nylonseil zu kurz ist, um mittels dieser Methode automatisch herausgeführt zu werden, stoßen Sie den Knauf des Nylon-Schneidkopfes gegen den Boden, um das Nylonseil herauszuführen.
3. Falls das Nylonseil nicht mithilfe der Vorgehensweise 2 herausgeführt werden kann, spulen Sie das Nylonseil auf und tauschen Sie es aus (siehe Abschnitt „Ersetzen des Nylonseils“).

### Ersetzen des Nylonseils

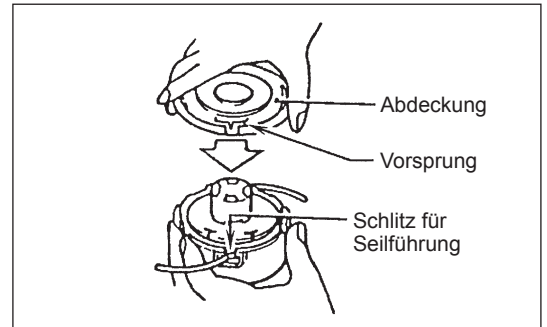
- Stoppen Sie zuerst den Motor.
- Drücken Sie die Riegel nach innen, um die Abdeckung anzuheben und die Spule zu entfernen.
- Haken Sie die Mitte des Nylonseils in die Kerbe in der Mitte der Spule ein, das eine Ende des Seils muss etwa 80 mm (3 - 1/18") länger als das andere sein. Winden Sie anschließend beide Enden fest um die Spule in Richtung der Kopfdrehung (Linksrotation wird durch „LH“ und Rechtsrotation durch „RH“ an der Seite der Spule gekennzeichnet).

- Winden Sie etwa 100 mm (3 - 15/16") des Seils um die Spule und lassen Sie die Enden vorübergehend in der Einkerbung an der Seite der Spule eingehängt.

- Montieren Sie die Spule in dem Gehäuse, sodass die Kerben und Vorsprünge an der Spule mit denen im Gehäuse übereinstimmen. Halten Sie die Seite mit den Buchstaben am der Spule sichtbar nach oben. Haken Sie nun die Enden des Seils aus ihrer vorübergehenden Positionen aus, und führen Sie das Seil durch die Seilführungen, sodass diese aus dem Gehäuse herausstehen.



- Richten Sie den Vorsprung an der Unterseite der Abdeckung an den Schlitzen der Seilführungen aus.  
Drücken Sie dann die Abdeckung fest auf das Gehäuse.



## WARTUNGSANWEISUNGEN

**ACHTUNG:** Stoppen Sie vor allen Arbeiten mit der Motorsense den Motor und ziehen Sie den Zündkerzenstecker von der Zündkerze (siehe „Überprüfen der Zündkerze“).  
Tragen Sie immer Schutzhandschuhe!

Führen Sie die folgenden Wartungsarbeiten regelmäßig durch, um eine lange Lebenszeit zu erzielen und Beschädigungen des Werkzeugs zu vermeiden.

### Tägliche Inspektionen und Wartungsarbeiten

- Überprüfen Sie vor dem Betrieb das Werkzeug auf lose Schrauben und fehlende Teile. Achten Sie besonders auf den festen Sitz der Motorsense oder des Nylon-Schneidkopfes.
- Überprüfen Sie vor jedem Betrieb, dass die Kühlluftdurchgänge und Zylinderlamellen nicht verstopft sind.  
Reinigen Sie diese bei Bedarf.
- Führen Sie die folgenden Wartungsarbeiten täglich nach der Arbeit durch:
  - Reinigen Sie die Motorsense im ausgebauten Zustand und überprüfen Sie diese auf Beschädigungen.
  - Reinigen Sie den Luftfilter. Wenn Sie unter sehr staubigen Bedingungen arbeiten, reinigen Sie den Filter mehrmals am Tag.
  - Prüfen Sie die Schneide oder den Nylon-Schneidkopf auf Beschädigungen und überprüfen Sie die ordnungsgemäße Montage.
  - Prüfen Sie, dass der Abstand zwischen Leerlauf- und Betriebsdrehzahlen ausreichend ist, damit das Werkzeug bei Leerlauf des Motors im Stillstand ist (reduzieren Sie bei Bedarf die Leerlaufdrehzahl).  
Falls sich das Schneidwerkzeug während des Leerlaufs des Motors weiter dreht, wenden Sie sich an das nächste autorisierte Servicezentrum.
- Prüfen Sie den I/O-Schalter, den Entriegelungshebel, den Regelungshebel und die Verriegelungstaste auf ordnungsgemäße Funktionsweise.

### WECHSELN DES MOTORENÖLS

Zersetztes Motorenöl verkürzt die Lebensdauer der gleitenden und rotierenden Teile in großem Maße. Prüfen Sie daher den Zeitraum und die Menge für den Wechsel.



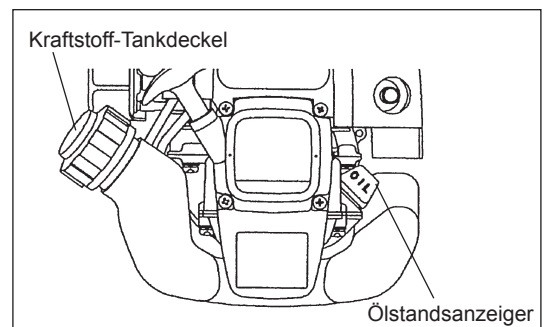
**ACHTUNG:** Im Allgemeinen sind der Motorhauptblock und das Motorenöl nach dem unmittelbaren Stopp des Motors noch heiß.  
Überprüfen Sie bei einem Ölwechsel, dass der Motorhauptblock und das Motorenöl ausreichend abgekühlt sind.  
Andernfalls besteht Verbrennungsgefahr.

**Hinweis:** Falls zuviel Öl eingefüllt wird, kann das Öl verschmutzt werden oder mit weißem Rauch Feuer fangen.

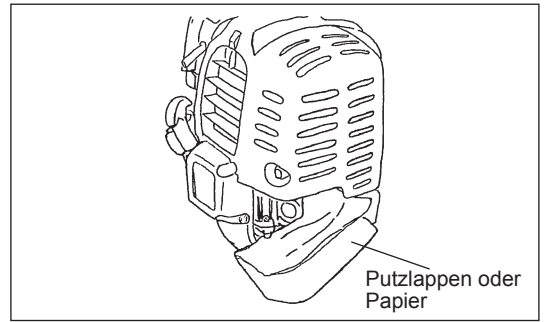
**Intervall für den Ölwechsel:** IZu Beginn aller 20 Betriebsstunden und anschließend aller 50 Betriebsstunden  
**Empfohlenes Öl:** SAE 10W-30 Öl der API-Klassifikation, Klasse SF oder höher (4-Viertaktmotor für Autos)

Gehen Sie zum Ölwechsel wie folgt vor.

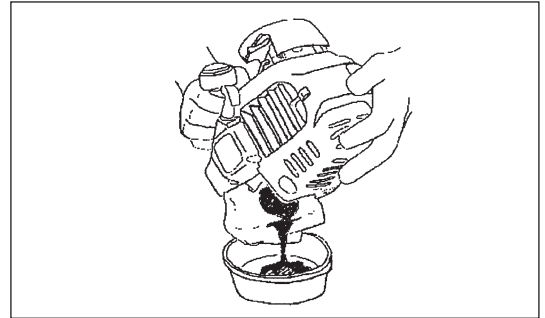
- 1) Überprüfen Sie, dass der Tankdeckel sicher festgezogen ist.
- 2) Trennen Sie den Ölstandsanzeiger.  
Halten Sie die Ölstandsanzeige frei von Sand und Staub.



3) Bringen Sie am Ölnachfüllstutzen einen alten Lappen oder Papier an.

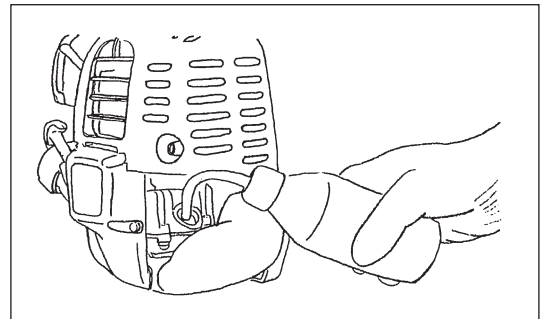


4) Trennen Sie den Ölstandsanzeiger, lassen Sie das Öl ab, indem Sie den Hauptblock in Richtung Ölnachfüllstutzen neigen. Leiten Sie das Öl für eine ordnungsgemäße Entsorgung in einen Container ab.



5) Halten Sie das Antriebsniveau, und füllen Sie Öl bis zur Kante des Ölnachfüllstutzens auf. Verwenden Sie zum Nachfüllen einen Schmiermittel-Nachfüllcontainer.

6) Ziehen Sie nach dem Nachfüllen die Ölstandsanzeige fest. Bei unzureichendem Festziehen der Ölstandsanzeige kann Öl auslaufen.



### WICHTIGE PUNKTE ZUM ÖL

- Entsorgen Sie ausgetauschtes Motorenöl niemals über den Hausmüll, in die Erde oder in Abwasserkanäle. Die Altöleentsorgung ist gesetzlich geregelt. Halten Sie bei der Entsorgung stets die entsprechenden Regelungen und Bestimmungen ein. Wenden Sie sich bei Unklarheiten an ein autorisiertes Servicezentrum.
- Öl zersetzt sich, auch wenn es nicht verwendet wird. Führen Sie regelmäßig eine Überprüfung und einen Ölwechsel durch (Ölwechsel aller 6 Monate).

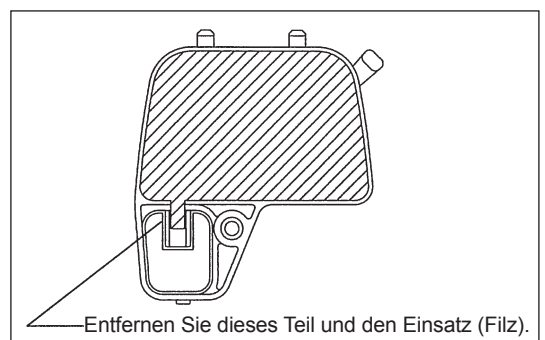
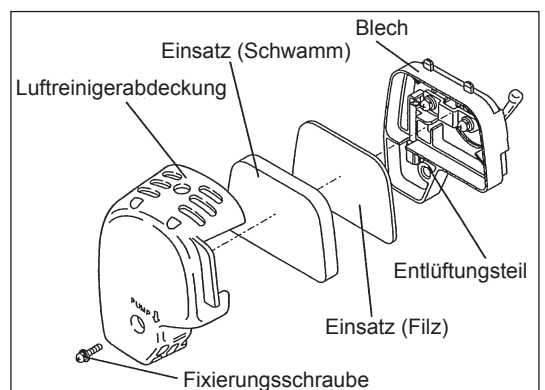
### REINIGEN DES LUFTREINIGERS



**GEFAHR: UMGANG MIT FEUER STRENGSTENS VERBOTEN**

**Intervall für Reinigung und Inspektion: Täglich (aller 10 Betriebsstunden)**

- Drehen Sie den Choke-Hebel vollständig zu, und halten Sie den Vergaser fern von Staub oder Schmutz.
- Entfernen Sie die Schrauben der Luftreinigerabdeckung.
- Ziehen Sie die untere Seite der Abdeckung und nehmen Sie die Luftreinigerabdeckung ab.
- Falls Öl an dem Einsatz (Schwamm) anhaftet, drücken Sie diesen fest aus.
- Bei starker Verschmutzung:
  - 1) Entfernen Sie den Einsatz (Schwamm), tauchen Sie ihn in warmes Wasser oder in Wasser mit verdünntem neutralen Reinigungsmittel, und trocknen Sie den Einsatz ganz.
  - 2) Reinigen Sie den Einsatz (Filz) mit Benzin, und trocknen Sie den Einsatz ganz.
- Trocknen Sie vor dem Einsetzen den Einsatz vollständig. Bei unzureichender Trocknung des Einsatzes können Schwierigkeiten beim Anlaufen auftreten.
- Wischen Sie anhaftendes Öl um die Luftreinigerabdeckung und die Entlüftung mit einem Putzlappen ab.
- Bringen Sie unmittelbar nach der Reinigung die Reinigerabdeckung wieder an und ziehen Sie diese mit den Fixierungsschrauben fest. (Bringen Sie bei der Wiedermontage zuerst die obere Klemme und dann die untere Klemme wieder an.)



### Wichtige Punkte beim Umgang mit dem Luftreinigerersatz

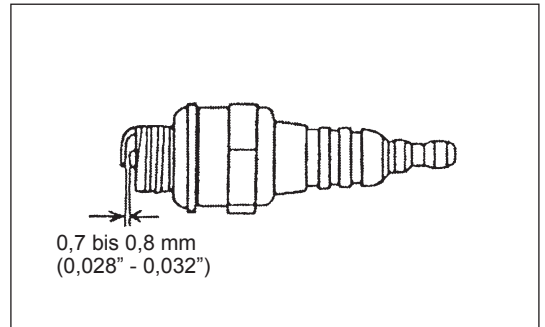
- Reinigen Sie den Einsatz mehrere Male am Tag, falls übermäßig Staub anhaftet.
- Falls der Betrieb mit einem ölverschmutzten Einsatz fortgesetzt wird, kann Öl im Luftreiniger ausfallen und zu einer Ölverschmutzung führen.



## ÜBERPRÜFEN DER ZÜNDKERZE

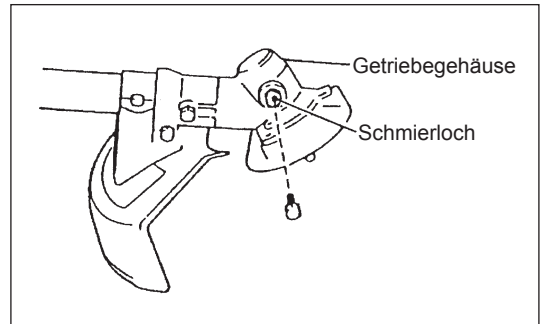
- Verwenden Sie nur den mitgelieferten Universalschraubenschlüssel, um die Zündkerze zu entfernen oder einzubauen.
- Der Abstand zwischen den Elektroden der Zündkerze sollte zwischen 0,7 und 0,8 mm (0,028" - 0,032") liegen. Passen Sie den Abstand bei Bedarf an. Falls die Zündkerze verschmutzt oder verstopft ist, reinigen Sie diese gründlich oder ersetzen Sie sie.

**ACHTUNG:** Berühren Sie den Zündkerzenstecker niemals, wenn der Motor läuft (Gefahr eines Hochspannungsschlags).



## AUFTRAGEN VON SCHMIERE AUF DAS GETRIEBEGEHÄUSE

- Tragen Sie alle 30 Betriebsstunden Schmiere (Shell Alvania 2 oder eine äquivalente) durch das Schmierloch auf das Getriebegehäuse auf. (Originales MAKITA-Schmierfett erhalten Sie bei Ihrem MAKITA-Händler.)



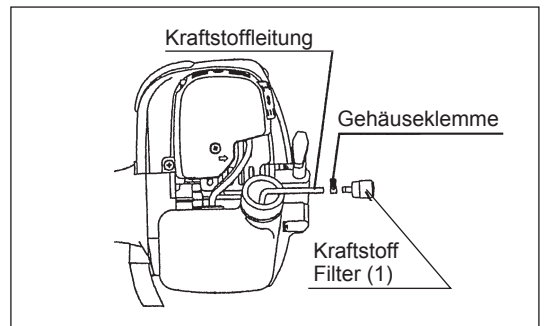
## REINIGEN DES KRAFTSTOFFFILTERS

### WARNUNG: UMGANG MIT FEUER STRENGSTENS VERBOTEN

Intervall für Reinigung und Inspektion: Monatlich (aller 50 Betriebsstunden)

#### Ansaugkopf im Kraftstofftank

- Der vom Vergaser benötigte Kraftstoff wird über den Kraftstofffilter (1) des Ansaugkopfes gefiltert.
- Führen Sie regelmäßig eine Sichtprüfung des Kraftstofffilters durch. Für die Inspektion des Filters öffnen Sie den Tankdeckel, und ziehen Sie mit einem Drahthaken den Ansaugkopf durch die Tanköffnung. Ersetzen Sie den Filter, falls dieser verhärtet, schmutzig oder verstopft ist.
- Eine unzureichende Kraftstoffzufuhr kann dazu führen, dass die maximal zulässige Drehzahl überschritten wird. Aus diesem Grund ist wichtig, dass der Kraftstofffilter mindestens quartalsweise ersetzt wird, um eine zufriedenstellende Kraftstoffzufuhr zum Vergaser zu gewährleisten.

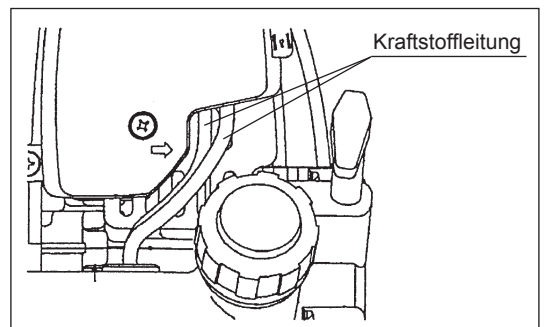


## AUSTAUSCHEN DER KRAFTSTOFFLEITUNG

### ACHTUNG: UMGANG MIT FEUER STRENGSTENS VERBOTEN

Intervall für Reinigung und Inspektion: Täglich (aller 10 Betriebsstunden)  
Austausch: Jährlich (aller 200 Betriebsstunden)

Tauschen Sie die Kraftstoffleitung jedes Jahr aus, unabhängig von der Betriebshäufigkeit. Kraftstofflecks können einen Brand verursachen. Falls Sie während des Betriebs ein Leck entdecken, tauschen Sie die Ölleitung sofort aus.



## INSPEKTION DER BOLZEN, MUTTERN UND SCHRAUBEN

- Ziehen Sie lose Bolzen, Muttern usw. wieder fest.
- Prüfen Sie auf Kraftstoff- und Öllecks.
- Tauschen Sie für einen sicheren Betrieb beschädigte Teile durch neue aus.

## REINIGEN DER BAUTEILE

- Halten Sie den Motor stets sauber.
- Halten Sie die Zylinderlamellen frei von Sand und Staub. An den Lamellen anhaftender Staub und Schmutz führt zu einer Reibverschweißung des Kolbens.

## AUSTAUSCHEN DER DICHTUNGEN UND VERBINDUNGEN

Vergewissern Sie sich bei der Wiedermontage des Motors, dass Sie die Dichtungen und Dichtungsmassen durch neue ersetzen. Alle Wartungsarbeiten oder Einstellungen, die in diesem Handbuch nicht beschrieben wurden, müssen von autorisierten Servicezentren durchgeführt werden.

## LAGERUNG



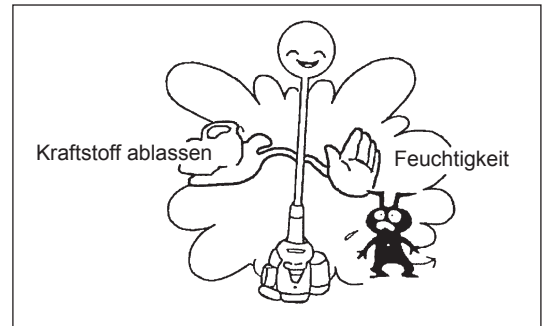
**WARNUNG:** Stellen Sie vor dem Ableiten des Kraftstoffs sicher, dass der Motor gestoppt ist und prüfen Sie, dass sich der Motor abgekühlt hat.

Unmittelbar nach dem Stoppen des Motors ist dieser heiß und es besteht Verbrennungs-, Entzündungs- und Feuergefahr.



**ACHTUNG:** Wenn das Werkzeug für längere Zeit nicht betrieben wird, lassen Sie den gesamten Kraftstoff aus dem Tank und dem Vergaser ab, und lagern Sie das Werkzeug an einem trockenen und sauberen Ort.

- Gehen Sie zum Ablassen des Kraftstoffs aus dem Tank wie folgt vor:
  - 1) Entfernen Sie den Kraftstoff-Tankdeckel und lassen Sie den Kraftstoff vollständig ab.  
Entfernen Sie ggf. im Kraftstofftank zurückbleibende Fremdkörper.
  - 2) Ziehen Sie den Kraftstofffilter mit einem Draht aus dem Nachfüllstutzen.
  - 3) Drücken Sie die Ansaugpumpe, bis der Kraftstoff von hier abgeleitet wurde und leiten Sie den Kraftstoff in den Kraftstofftank ab.
  - 4) Setzen Sie den Filter wieder in den Kraftstofftank ein und ziehen Sie den Tankdeckel sicher fest.
  - 5) Betreiben Sie das Werkzeug weiter bis es stoppt.
- Entfernen Sie die Zündkerze und geben Sie einige wenige Tropfen Öl in die Zündkerzenöffnung.
- Ziehen Sie anschließend den Startergriff leicht, sodass das Öl die Innenseite des Motors bedeckt und ziehen Sie dann die Zündkerze fest.
- Bringen Sie die Abdeckung an der Schneidklinge an.
- Halten Sie während der Lagerung den Stiel horizontal oder halten Sie das Werkzeug aufrecht mit nach oben gerichteter Blattkante. (Achten Sie in diesem Fall vor allem darauf, dass das Werkzeug nicht umfällt.)  
Lagern Sie das Werkzeug niemals mit nach unten gerichteter Blattkante.  
Schmiermittel kann auslaufen.
- Bewahren Sie den abgelassenen Kraftstoff in einen speziellen Container an einem gut belüfteten und schattigen Platz auf.



### Achtung nach einer längeren Lagerung

- Tauschen Sie nach einer längeren Lagerung vor dem Start des Motors das Öl aus (siehe S. 111). Öl zersetzt sich, auch wenn das Werkzeug nicht verwendet wird.

### Fehlerposition

Fehler	System	Beobachtung	Grund
Motor startet nicht oder mit Schwierigkeiten	Zündungssystem	Zündfunken OK	Fehler der Kraftstoffversorgung oder des Verdichtungssystems, mechanischer Defekt
		Kein Zündfunken	STOPP-Schalter bedient, Verdrahtung fehlerhaft oder kurzgeschlossen, Zündkerze oder Zündkerzenstecker defekt, Zündmodul fehlerhaft
	Kraftstoffversorgung	Kraftstofftank gefüllt	Falsche Choke-Position, Vergaser defekt, Kraftstoff-Zufuhrleitung verbogen oder blockiert, Kraftstoff verschmutzt
	Verdichtung	Keine Verdichtung beim Überziehen	Zylinderkopfdichtung defektiv, Pleuellendichtungen beschädigt, Zylinder oder Pleurerringe defekt oder ungeeignete Dichtung der Zündkerze
Warmstartprobleme	Mechanischer Fehler	Starter schaltet nicht ein	Gebrochene Starterfeder, gebrochenen Teile innerhalb des Motors
		Tank gefüllt, Zündfunken vorhanden	Vergaser verschmutzt, wurde gereinigt
Motor startet, geht jedoch aus	Kraftstoffversorgung	Tank gefüllt	Fehlerhafte Leerlaufeinstellung, Vergaser verschmutzt
Unzureichende Leistung	Möglicherweise werden verschiedene Systeme gleichzeitig beeinflusst	Motorleerlauf zu gering	Kraftstoff-Tankventil defekt, Kraftstoff-Zufuhrleitung unterbrochen, Kabel oder I/O-Schalter defekt
			Luftfilter verschmutzt, Vergaser verschmutzt, Schalldämpfer verstopft, Abluftkanal im Zylinder verstopft

Position	Betriebszeit		Vor Betrieb	Nach Schmierung	Taglich (10 h)	30 h	50 h	200 h	Abschalten/ Lagerung	Siehe Seite
Motorenol	Inspizieren/ Reinigen	○								105
	Austauschen						○*1			111
Festziehen von Teilen (Schraube, Mutter)	Inspizieren	○								113
Kraftstofftank	Reinigen/ Inspizieren	○								—
	Kraftstoff ablassen							○*3		114
Gashebel	Funktion uberprufen		○							—
Stoppeschalter	Funktion uberprufen		○							109
Schneidklinge	Inspizieren	○		○						103
Niederdrehzahl	Inspizieren/ Einstellen			○						109
Luftreiniger	Reinigen			○						112
Zundkerze	Inspizieren			○						113
Kuhlluftkanal	Reinigen/ Inspizieren			○						113
Kraftstoffleitung	Inspizieren			○						113
	Austauschen							⊙*2		—
Getriebegehause- Schmierung	Nachfullen				○					113
Kraftstofffilter	Reinigen/ Ersetzen						○			113
Abstand zwischen Lufteinlassventil und Luftauslassventil	Einstellen							⊙*2		—
Motoruberholung								⊙*2		—
Vergaser	Kraftstoff ablassen							○*3		114

\*1 Fuhren Sie einen ersten Wechsel nach 20 Betriebsstunden durch.

\*2 Wenden Sie sich fur eine Inspektion nach 200 Betriebsstunden an ein autorisiertes Servicezentrum oder Werkzeuggeschaft.

\*3 Setzen Sie nach dem Leeren des Kraftstofftanks den Betrieb des Motors fort und leiten Sie den Kraftstoff in den Vergaser ab.

## FEHLERSUCHE

Überprüfen Sie ein Problem selbst, bevor Sie eine Reparatur anfordern. Falls eine Abnormalität auftritt, regeln Sie das Werkzeug anhand der Beschreibung in diesem Handbuch. Missbrauchen Sie das Werkzeug nicht und demontieren Sie keine Teile entgegen der Beschreibung. Wenden Sie sich für Reparaturen an ein autorisiertes Servicezentrum oder einen Vertreter vor Ort.

Abnormalitätsstatus	Mögliche Ursache (Fehlfunktion)	Abhilfe
Motor startet nicht	Ausfall des Betriebs der Ansaugpumpe	Drücken Sie 7 bis 10 mal
	Niedrige Ziehgeschwindigkeit des Starterseils	Ziehen Sie kräftig
	Kraftstoffmangel	Führen Sie Kraftstoff zu
	Verstopfter Kraftstofffilter	Reinigen
	Gebrochene Kraftstoffleitung	Kraftstoffleitung begradigen
	Zersetzter Kraftstoff	Zersetzter Kraftstoff erschwert das Starten. Ersetzen Sie diesen durch neuen. (Empfohlenes Austauschintervall: 1 Monat)
	Übermäßige Kraftstoffansaugung	Stellen Sie den Gashebel von mittlerer Drehzahl auf hohe Drehzahl ein und ziehen Sie den Startergriff, bis der Motor startet. <b>Nach dem Start des Motors beginnt sich die Schneidklinge zu drehen. Achten Sie auf die Schneidklinge.</b> Falls der Motor nicht startet, entfernen Sie die Zündkerze, trocknen Sie die Elektrode ab und montieren Sie sie wieder wie vorher. Starten Sie wie angegeben.
	Entfernen des Zündkerzensteckers	Fest Anbringen
	Verschmutzter Zündkerzenstecker	Reinigen
	Abnormaler Abstand des Zündkerzensteckers	Einstellen des Abstandes
	Andere Abnormalität des Zündkerzensteckers	Austauschen
	Abnormaler Vergaser	Fordern Sie eine Inspektion und Wartung an.
	Starterseil kann nicht gezogen werden	Fordern Sie eine Inspektion und Wartung an.
Abnormales Antriebssystem	Fordern Sie eine Inspektion und Wartung an.	
Motor stoppt gleich Motordrehzahl erhöht sich nicht	Unzureichendes Aufwärmen	Führen Sie einen Aufwärmetrieb durch
	Choke-Hebel ist auf GESCHLOSSEN eingestellt, obwohl der Motor vorgewärmt wurde.	Einstellen auf OFFEN
	Verstopfter Kraftstofffilter	Reinigen
	Verschmutzter oder verstopfter Luftreiniger	Reinigen
	Abnormaler Vergaser	Fordern Sie eine Inspektion und Wartung an.
	Abnormales Antriebssystem	Fordern Sie eine Inspektion und Wartung an.
Schneidklinge dreht sich nicht ↓ Motor stoppt sofort	Gelöste Schneidklinge > Festziehen der Mutter	Festziehen
	Zweige verfangen sich in der Schneidklinge oder der Schutzabdeckung.	Entfernen der Fremdkörper
	Abnormales Antriebssystem	Fordern Sie eine Inspektion und Wartung an.
Hauptblock vibriert abnormal ↓ Motor stoppt sofort	Gebrochene, verbogene oder abgenutzte Schneidklinge	Austauschen der Schneidklinge
	Gelöste Schneidklinge > Festziehen der Mutter	Festziehen
	Verschobenes Konvexelement der Schneidklinge und der Stützmontage.	Fest Anbringen
	Abnormales Antriebssystem	Fordern Sie eine Inspektion und Wartung an.
Schneidklinge stoppt nicht sofort ↓ Motor stoppt sofort	Hohe Leerlaufdrehzahl	Einstellen
	Abgetrenntes Gaskabel	Fest Anbringen
	Abnormales Antriebssystem	Fordern Sie eine Inspektion und Wartung an.
Motor stoppt nicht ↓ Betreiben des Motors im Leerlauf und Einstellen des Choke-Hebels auf GESCHLOSSEN	Abgetrennter Stecker	Fest Anbringen
	Abnormales Elektriksystem	Fordern Sie eine Inspektion und Wartung an.

Wenn der Motor nach dem Aufwärmen nicht startet:

Falls bei den Überprüfungselementen eine Abnormalität auftritt, öffnen Sie den Gashebel um 1/3 und starten Sie den Motor.

Köszönjük, hogy megvásárolta a MAKITA benzinmotoros bozótvágót. Nagy öröm számunkra, hogy bemutatjuk a MAKITA benzinmotoros bozótvágót, amely egy hosszú fejlesztési program eredménye és több év alatt felhalmozódott ismeretanyag felhasználásával készült. Kérjük olvassa el ezt a füzetet, ami részletesen bemutatja azokat a pontokat, amelyek bizonyítják a kiemelkedő teljesítményt. Ez a segítségére lesz, hogy a lehető legjobb teljesítményt érje el a MAKITA benzinmotoros bozótvágóval.



Tartalomjegyzék	Oldal
Szimbólumok.....	117
Biztonsági utasítások.....	118
Műszaki adatok.....	122
Alkatrészek megnevezése.....	124
A fogantyú felszerelése .....	125
A védő felszerelése .....	126
A vágókés vagy a nejlon vágófej felszerelése .....	127
A használat megkezdése előtt.....	128
A gép helyes kezelése.....	130
A használatra vonatkozó előírások és a leállítás módja.....	130
A vágóeszköz újraélezése .....	132
Szervizelési utasítások .....	134
Tárolás.....	137

## SZIMBÓLUMOK

A használati utasítás olvasása közben a következő szimbólumokkal találkozik.

	Olvassa el a használati utasítást és tartsa be a figyelmeztetéseket és a biztonsági utasításokat!		A működési területtől tartsa távol a személyeket és az állatokat!
	Legyen különösen elővigyázatos és figyelmes!		Sisak, szem- és hallásvédő eszköz viselendő!
	Tilos!		Szerszám legmagasabb megengedett fordulatszáma
	Tartson biztonságos távolságot!		Üzemanyag (Benzin)
	Repülő tárgyak veszélye!		Motor manuális indítású
	Dohányozni tilos!		Vészleállítás
	Nyílt láng használata tilos!		Elsősegély
	A védőkesztyű viselete kötelező!		BE/INDÍTÁS
	Viseljen csúszásmentes védőlábbelit. Acélbetétes lábbeli viselete javasolt!		KI/LEÁLLÍTÁS
	Visszarúgás!		

## BIZTONSÁGI UTASÍTÁSOK

### Általános tudnivalók

- Olvassa el a használati utasítást, hogy megismerkedjen a gép kezelésével. A hiányos ismeretekkel rendelkező kezelő a helytelen kezelés miatt saját magára és más személyekre is veszélyt jelent.
- Csak olyan embereknek adja kölcsön a gépet, akik bizonyítottan tapasztaltak annak használatában. A géppel együtt mindig adja át a használati utasítást is.
- Kezdő felhasználóknak először a forgalmazóhoz kell fordulniuk a bozótvágo kezelésével kapcsolatos alapvető tudnivalók elsajátításáért.
- Gyermekek és 18 év alatti fiatalok nem használhatják a gépet. 16 év feletti személyek a gyakorlat elsajátítása végett szakképzett betanító felügyelete mellett használhatják a szerszámot.
- Különös elővigyázatossággal és figyelemmel használja a gépet.
- Csak jó fizikai állapotban használja a gépet. Minden munkát nyugodtan és elővigyázatosan végezzen. A gép használója másokért is felelős.
- Soha ne használja a gépet alkohol vagy kábítószer hatása alatt, illetve, ha betegnek vagy fáradtnak érzi magát.
- Az állami előírások korlátozhatják a gép használatát.

### A gép rendeltetészerű használata

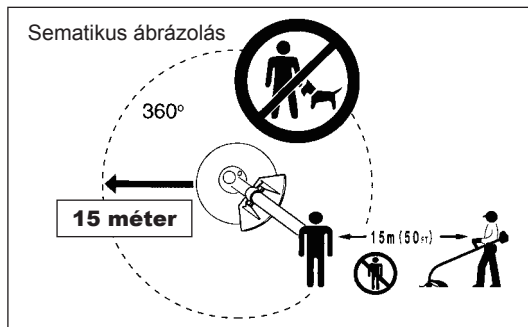
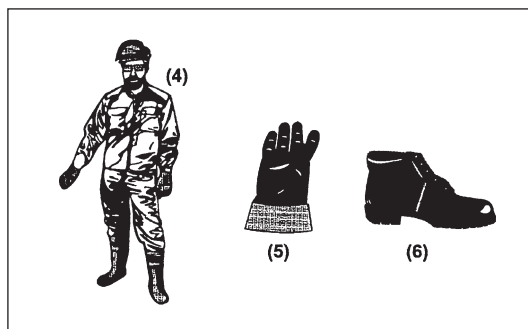
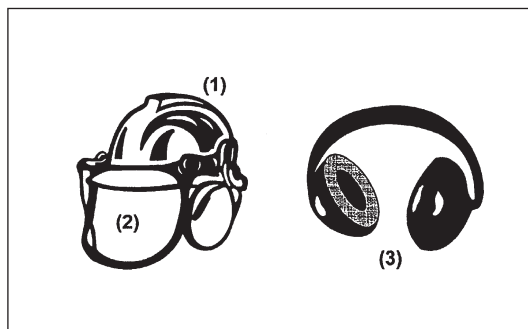
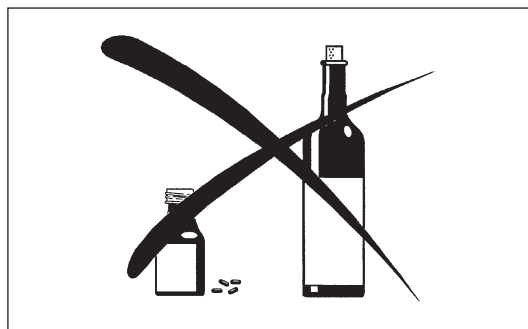
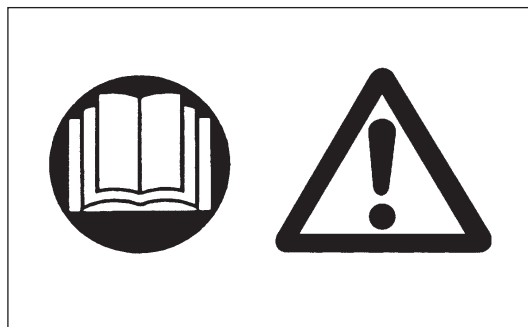
- A gép rendeltetészerűen kizárólag fű, gyom, bozót és aljnövényzet vágására használható. A gép nem használható egyéb célokra, például szélezésre vagy sövénynyírásra, mivel ez sérüléshez vezethet.

### Személyi védőeszközök

- A ruházat legyen megfelelő és funkcionális, azaz legyen testhezálló, de ne gátolja a munkában. Ne viseljen ékszert vagy laza ruhadarabot, ezek ugyanis beakadhatnak a bozótba vagy az ágakba.
- Annak érdekében, hogy a gép használatakor elkerülhetőek legyenek a fej-, a szem-, a kéz- és a lábsérülések, valamint a halláskárosodás, viselni kell az alábbi védőeszközöket és védőruházatot.
- A lezuhanó tárgyak kockázata miatt mindig viseljen védősisakot. A védősisakot (1) rendszeresen meg kell vizsgálni, hogy nem károsodott, és legkésőbb 5 év elteltével ki kell cserélni. Kizárólag jóváhagyott, engedélyezett sisakot szabad használni.
- A védősisak arcvédője (2) (vagy esetleg védőszemüveg) megvédi az arcát a repülő hulladékoktól és kövektől. A szemsérülések elkerülése érdekében mindig viseljen védőszemüveget vagy arcvédőt.
- A halláskárosodások elkerülése végett arra alkalmas hallásvédő eszközöket (füldugó (3), fülvédő (3), fül dugó stb.) kell használni.
- A munkaruha (4) megvédi a repülő kövektől és hulladékoktól. Nyomatékosan javasoljuk, hogy a kezelő viseljen munka overallt.
- A kesztyű (5) az előírt védőfelszerelés részét képezi, és a gép használata során állandóan hordani kell.
- A gép használatakor mindig csúszásmentes, merev cipőt (6) viseljen. Ez biztos állást nyújt, és véd a sérülések ellen.

### A bozótvágo beindítása

- Ügyeljen rá, hogy 15 méteres munkakörnyezetben ne legyenek gyerekek vagy más emberek, és figyeljen arra is, hogy állatok se legyenek a munkakörnyezetben.
- Használat előtt ellenőrizze, hogy a gép biztonságosan üzemeltethető-e: Ellenőrizze a vágószerszám rögzítését, a gázkar könnyű járását, és ellenőrizze a gázkar reteszelőjének megfelelő működését.
- Üresjárat fordulatszámán a vágószerszám nem foroghat. Ha bizonytalan lenne ezzel kapcsolatban, ellenőriztesse a beállítást a márkakereskedővel. Ellenőrizze a markolatok tisztaságát és szárazságát, és tesztelje az indítás/leállítás kapcsoló működését.

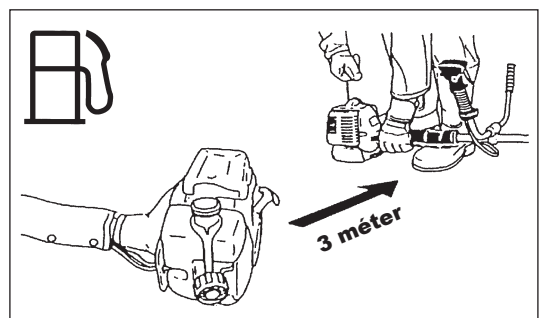
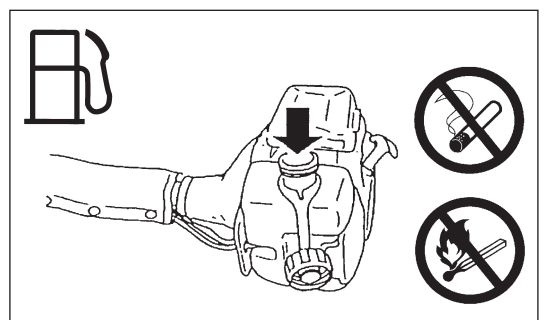
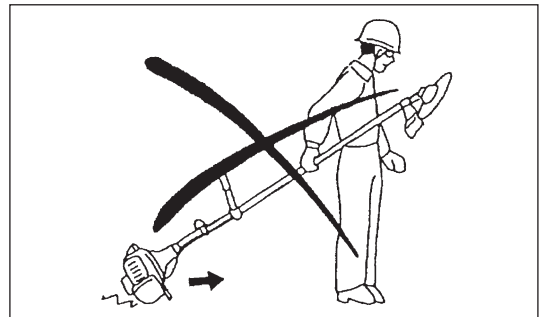
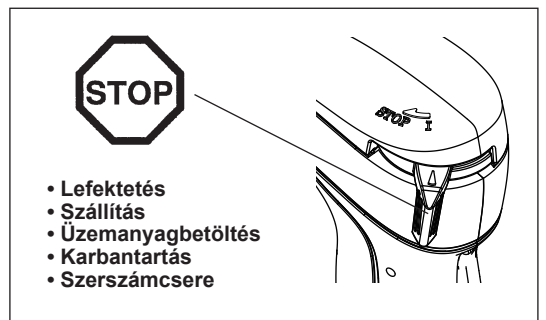
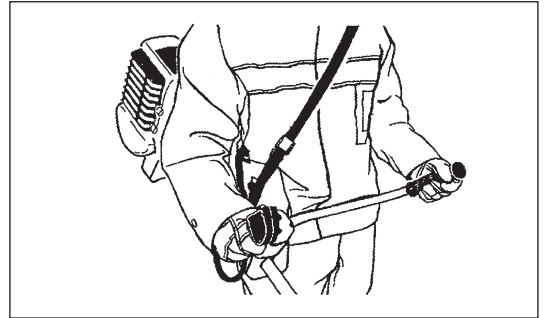
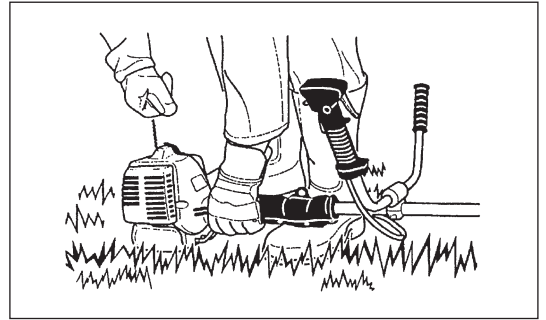


A bozótvágot csak az utasításban leírtak szerint indítsa be.

- Ne használjon más módszert a motor beindítására!
- A bozótvágot és a szerszámokat csak a megadott alkalmazásra használja.
- A motort csak a teljes összeszerelés után indítsa be. A gépet csak az összes megfelelő tartozék felszerelése után szabad használni!
- A beindítás előtt ellenőrizze, hogy a vágószerszám nem érintkezik-e kemény tárgyakkal, mint például ágakkal, kövekkel stb., mert ilyen esetben a vágószerszám beindításkor forogni kezd.
- Bármilyen motorhiba esetén azonnal állítsa le a motort.
- A vágószerszám kövel vagy kemény tárggyal való ütközésekor azonnal állítsa le a motort, és vizsgálja át a vágószerszámot.
- Rendszeres időközönként vizsgálja át a vágószerszámot esetleges sérüléseket keresve (hajszálrepedések keresése ütögetéssel).
- Ha a gépet erős ütés éri, illetve leesik, a munka folytatása előtt ellenőrizze állapotát. Ellenőrizze, hogy az üzemanyag-ellátó rendszer szivárog-e, továbbá ellenőrizze, hogy a vezérlőelemek és biztonsági eszközök helyesen működnek-e. Ha bármilyen sérülést észlel, vagy felmerül annak gyanúja, ellenőrzésért forduljon a hivatalos szervizközpontunkhoz.
- A gépet kizárólag a vállhevederrel használja, amelyet megfelelően be kell állítani a bozótvágo használata előtt. Fontos, hogy a vállhevedert a felhasználó méretének megfelelően állítsa be, ezzel használat közben elkerülhető a gyors fáradás. Használat közben soha ne tartsa egy kézzel a vágot.
- Munka közben mindig két kézzel tartsa a bozótvágot. Mindig biztosan álljon a talajon.
- Úgy használja a gépet, hogy ne lélegezze be a kipufogógázokat. Zárt szobákban soha ne működtesse a motort (gázmérgezés veszélye). A szén-monoxid szagtalan gáz.
- Állítsa le a motort, ha leteszi vagy felügyelet nélkül hagyja a gépet, és olyan biztonságos helyre tegye, ahol nem veszélyeztet másokat, és nem sérülhet meg.
- A forró bozótvágot soha ne tegye száraz fűre vagy bármilyen gyúlékony anyagra.
- Mindig a jóváhagyott vágószerszám védőburkolatot helyezze fel a szerszámra mielőtt elindítja a motort. Ellenkező esetben a vágószerszámmal való érintkezés súlyos sérüléshez vezethet.
- A géphez adott összes védelmi felszerelést és védőburkolatot használni kell.
- Meghibásodott kipufogóval soha ne használja a motort.
- Szállítás közben állítsa le a motort.
- A szerszám szállításkor mindig helyezze fel a burkolatot a vágókésre.
- Járműben való szállításkor az üzemanyag-szivárgás megelőzése érdekében tartsa biztonságos helyzetben a gépet.
- Szállításkor győződjön meg arról, hogy az üzemanyagtartály teljesen üres.
- A gép járműből való kivételekor a motort soha ne dobja le a földre, mert az üzemanyagtartály jelentős sérülését okozhatja.
- Vészhelyzettől eltekintve soha ne ejtse le vagy dobja le a földre a gépet, mivel ez annak súlyos károsodásával járhat.
- A gép mozgatásakor ne felejtse el, hogy a teljes gépet fel kell emelni a földről. Az üzemanyagtartály húzása nagyon veszélyes dolog, és sérülést, illetve üzemanyag-szivárgást eredményezhet, ami tüzet okozhat.

## Tankolás

- Tankolás közben állítsa le a motort, tartsa távol nyílt lángtól, és ne dohányozzon.
- Kerülje az ásványolaj termékek bőrrel való érintkezését. Ne lélegezze be az üzemanyag gőzét. Tankolás közben viseljen védőkesztyűt. Rendszeres időközönként cserélje, és tisztítsa meg a védőruházatot.
- Ügyeljen arra, hogy a talaj szennyeződésének elkerülése érdekében ne fröccsenjen ki olaj vagy üzemanyag (környezetvédelem). Az üzemanyag kifröccsenésekor azonnal tisztítsa meg a bozótvágot.
- Kerülje az üzemanyag ruhával való érintkezését. Az üzemanyag ruhára való fröccsenésekor azonnal cseréljen ruhát (a ruha meggyulladásának megelőzése érdekében).
- Rendszeres időközönként ellenőrizze, hogy a tanksapka jól zár-e, és nem szivárog.
- Óvatosan húzza meg az üzemanyagtartály sapkáját. A motor indítását egy másik helyen végezze (legalább 3 méteres távolságban a tankolás helyszínétől).
- Zárt helyiségekben soha ne tankoljon. Az üzemanyag gőzei a talaj közelében gyűlnek össze (robbanásveszély).
- Az üzemanyagot csak arra engedélyezett kannákban szállítsa és tárolja. Gyerekektől zárva tárolja az üzemanyagot.



## A használat módja

- Csak jó megvilágítás és látási viszonyok mellett használja a gépet. Télen figyeljen a csúszós vagy nedves területekre, a jégre és a hóra (csúszásveszély). Mindig biztosan álljon a talajon.
- Soha ne végezzen vágást derékmagasság felett.
- Soha ne álljon létrára.
- Ne másszon fára, hogy azon metszési munkát végezzen.
- Instabil talajon nem szabad dolgozni.
- Távolítsa el a munkaterületen található homokot, köveket, szegeket stb. Az idegen tárgyak károsíthatják a vágószerszámot és veszélyes visszarúgást okozhatnak.
- A fűnyírás elkezdése előtt a vágószerszámnak el kell érnie a teljes üzemi fordulatszámát.
- Ha fém vágókéceket használ, lendítse a szerszámot egyenletesen, félkör alakban jobbról balra, mintha kaszálna. Amennyiben fű vagy gallyak csípődnek a vágószerszám és a szerszámvédő közé, mindig állítsa le a motort tisztítás előtt. Ellenkező esetben a vágókés véletlenszerű forgása súlyos sérüléseket okozhat.
- Tartson pihenőt, nehogy elfáradjon, és emiatt elveszítse uralmát a gép felett. Célszerű óránként 10–20 perc pihenőt tartani.

## Vágószerszámok

- Mindig az adott munkához megfelelő vágószerszámot használjon. A nejlonszálás vágófejek (szegélynyíró fejek) gyep nyírására szolgálnak. A fém vágókécek gyom, magas fű, sövény, bokor, aljnövényzet, cserjék és hasonló vágására alkalmasak. Soha ne használjon más kéceket fém többrészes csuklósláncokkal vagy lengőkéceket. Ellenkező esetben súlyosan megsérülhet.
- Fém vágókécek használatakor mindent tegyen meg a „visszarúgás” elkerülésére, mégis készüljön fel arra, hogy a gép visszarúghat. Lásd a „Visszarúgás” és a „Visszarúgás megelőzése” című szakaszt.

## Visszarúgás (a vágópengé lökőereje)

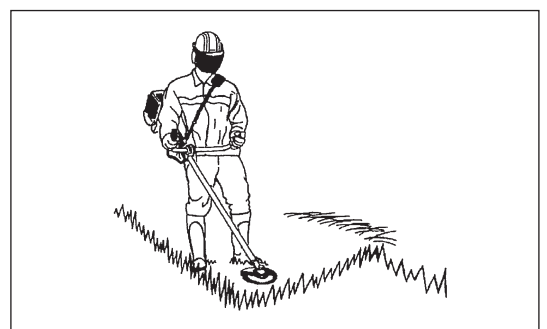
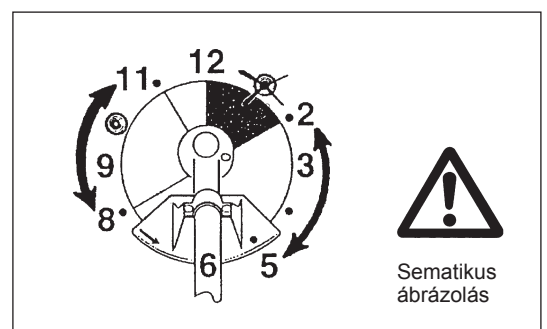
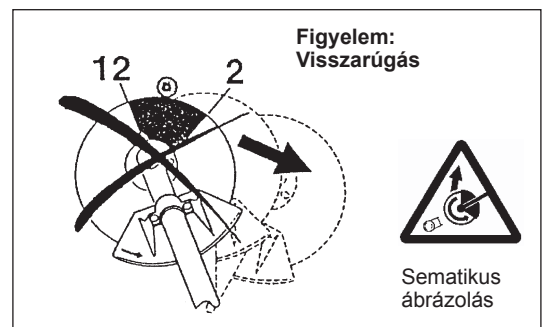
- A visszarúgás (a vágópengé lökőereje) a meg- vagy beszorult vágókés hirtelen reakciója. Ha ez bekövetkezik, a gép nagy erővel oldalra vagy kezelő felé vágódik, ami súlyos sérüléssel is járhat.
- Visszarúgásra elsősorban akkor kell számítani, ha a 12 és 2 órák közötti pontok közötti késszakaszt használja 3 cm vagy annál nagyobb vastagságú szilárd anyagokhoz, bozóthoz vagy fához.
- A visszarúgás megelőzése:
  - A 8 és 11 óra közötti részt használja;
  - Sose használja a 12 és 2 óra közötti részt;
  - Sose használja a 11 és 12 óra, valamint a 2 és 5 óra közötti részt, hacsak nem jól képzett és tapasztalt kezelő, és a saját felelősségére használja a készüléket;
  - Sose használja a vágókéceket szilárd anyagok, például kerítések, falak, fatörzsek és kövek közelében;
  - Sose használja a vágókéceket függőlegesen olyan műveletekhez, mint például sövények nyírása és szélezése.

## Vibráció

- A keringési rendellenességben szenvedő emberek véredényei vagy idegrendszere a túlzott mértékű rezgés hatására megsérülhetnek. A vibráció a következő tünetek megjelenését okozhatja az ujjakban, a kézben vagy a csuklóban: aluszékonyság (zsibbadtság), bizsergő érzés, fájdalom, szúró fájdalomérzet, a bőr- vagy annak színének elváltozása. Ha ezen tünetek bármelyikét észleli önmagán, forduljon orvoshoz!
- A „fehér ujj betegség” kockázatának csökkentése érdekében, tartsa melegen kezzeit a működtetés alatt, és tartsa karban a szerszámot és tartozékait.

## Karbantartási útmutató

- A szerszámot hivatalos szervizközpontban szervizeltesse, és kizárólag eredeti cserealkatrészeket használjon. A helytelen javítás vagy nem megfelelő karbantartás lecsökkentheti a szerszám életét és megnöveli a balesetek kockázatát.
- A vágó állapotát, különösen a védőberendezések vágóeszközeit és a vállszíjat szintén át kell vizsgálni a munka megkezdése előtt. Különös figyelmet kell fordítani a vágókécekre, amelyeknek élesnek kell lenniük.
- A vágószerszám cseréjekor vagy élezésekor, és a vágó vagy a vágószerszám tisztításakor is állítsa le a motort és vegye le a gyújtókábelt a gyújtógyertyáról.





## Soha ne egyenesítse ki vagy hegessze meg a sérült vágószerszámokat.

- Óvja a környezetet. Az alacsonyabb légszennyezés és zajkibocsátás érdekében kerülje a szükségtelen gázadásokat. A porlasztót helyesen állítsa be.
- Tisztítsa meg rendszeres időközönként a gépet, és ellenőrizze a csavarok és anyák rögzítettségét.
- Tilos a gépet nyílt láng közelében karbantartani vagy tárolni.
- A gépet mindig zárt helyiségben és üres üzemanagyartással tárolja.
- A szerszám tisztításakor, szervizelésakor és tárolásakor mindig helyezze fel a burkolatot a vágókésre.



Tartsa be a megfelelő kereskedelmi szervezetek és biztosítók által kiadott balesetmegelőzési utasításokat. Ne végezzen semmiféle módosítást a gépen, mert az veszélyeztetheti a személyes biztonságát.

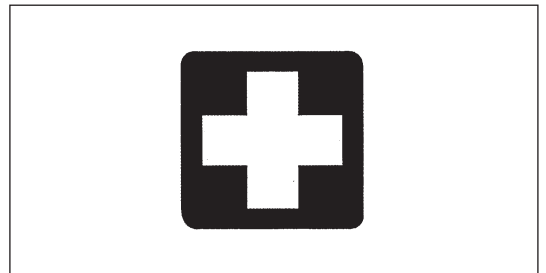
A felhasználó által csak azok a karbantartási és javítási munkák végezhetők, amelyek a használati utasításban szerepelnek. Minden más műveletet a hivatalos szervizzel kell elvégeztetni. Csak eredeti, a MAKITA által kiadott és szállított alkatrészeket és tartozékokat használjon. A nem engedélyezett tartozékok és szerszámok használata növeli a balesetveszélyt. A MAKITA nem vállal felelősséget a nem engedélyezett vágószerszámok és a vágószerszám rögzítőeszközök vagy tartozékok használata miatti bekövetkező balesetek vagy károk miatt.

## Elsősegély

Ügyeljen rá, hogy baleset esetére legyen egy mentődoboz a vágási műveletek környezetében. Az elsősegélydobozból kivett eszközöket azonnal pótolni kell.

## Ha segítséget kell hívni, adja meg az alábbi információkat:

- A baleset helyszíne
- Mi történt
- A sérült személyek száma
- A sérülés típusa
- Az Ön neve



---

Csak európai országokra vonatkozóan

## EK Megfelelőségi nyilatkozat

Mi, a Makita Corporation mint a termék felelős gyártója kijelentjük, hogy az itt megnevezett Makita gép(ek):

Gép megnevezése: Benzinmotoros bozótívágó

Típus sz./Típus: EBH252U, EBH253U, EBH252L, EBH253L

Műszaki adatok: lásd a „MŰSZAKI ADATOK” című táblázatban

sorozatgyártásban készülnek, és

**megfelelnek az alább felsorolt európai irányelvek előírásainak:**

2000/14/EK, 2006/42/EK

Illetve gyártásuk a következő szabványoknak, valamint szabványosított dokumentumoknak megfelelően történik:

EN ISO 11806-1

A műszaki dokumentációt őrzi:

Makita International Europe Ltd., Technical Department,

Michigan Drive, Tongwell, Milton Keynes, Bucks MK15 8JD, Anglia

A 2000/14/EK irányelv által előírt megfelelőségi auditálási eljárás az V. függelék szerint történt.

Mért hangteljesítményszint: 109,3 dB

Garantált hangteljesítményszint: 111 dB

19. 12. 2008



Tomoyasu Kato  
Igazgató  
Makita Corporation  
3-11-8, Sumiyoshi-cho,  
Anjo, Aichi, JAPAN

## MŰSZAKI ADATOK EBH252U, EBH252L

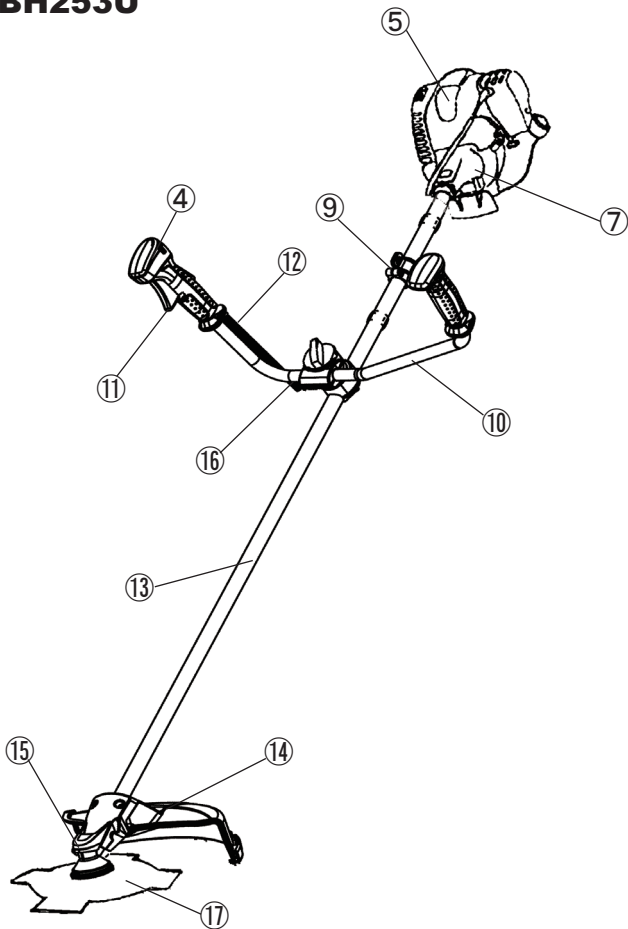
Típus		EBH252U		EBH252L	
		Kerékpár markolat		Hurok markolat	
Méretek: hosszúság x szélesség x magasság (vágókés nélkül) mm		1770 x 620 x 490		1770 x 330 x 275	
Súly (a műanyag védőburkolat és a vágókés nélkül)	kg	5,7		5,3	
Térfogat (üzemanyagtartály)	L	0,5			
Térfogat (olajtartály)	L	0,08			
Motor lökettérfogata	cm <sup>3</sup>	24,5			
Maximális motorteljesítmény	kw	0,71 - 7000 min <sup>-1</sup>			
Motor fordulatszáma az orsó maximálisan ajánlott fordulatszámánál	min <sup>-1</sup>	8500			
Maximális orsó fordulatszám (megfelelő)	min <sup>-1</sup>	6500			
Maximális üzemanyagfogyasztás	kg/h	0,33			
Maximális fajlagos üzemanyagfogyasztás	g/kwh	408			
Üresjárat fordulat/szám	min <sup>-1</sup>	3000			
Karburátor	típusa	WALBRO WYL			
Gyújtásrendszer	típusa	Szilárd állapotú gyújtás			
Gyújtógyertya	típusa	NGK CMR4A			
Elektróda-távolság	mm	0,7 - 0,8			
Vibráció az ISO 22867	Jobb markolat (Hátsó fogantyú)	$a_{hv\ eq}$	m/s <sup>2</sup>	2,5	5,0
		Bizonytalanság K	m/s <sup>2</sup>	0,58	1,23
	Bal markolat (Elülső fogantyú)	$a_{hv\ eq}$	m/s <sup>2</sup>	2,9	4,3
		Bizonytalanság K	m/s <sup>2</sup>	0,37	0,36
Átlagos hangnyomásszint az ISO 22868	$L_{PA\ eq}$	dB(A)	97,1		
	Bizonytalanság K	dB(A)	2,4		
Átlagos hangteljesítményszint az ISO 22868	$L_{WA\ eq}$	dB(A)	106,3		
	Bizonytalanság K	dB(A)	1,2		
Üzemanyag		Autóbenzin			
Motorolaj		API besorolású SAE 10W-30 olaj, SF vagy magasabb osztályú (4-ütemű gépkocsi motorokhoz)			
Vágószerszámok (vágókés átm.)	mm	230			
Áttétel		14/19			

## MŰSZAKI ADATOK EBH253U, EBH253L

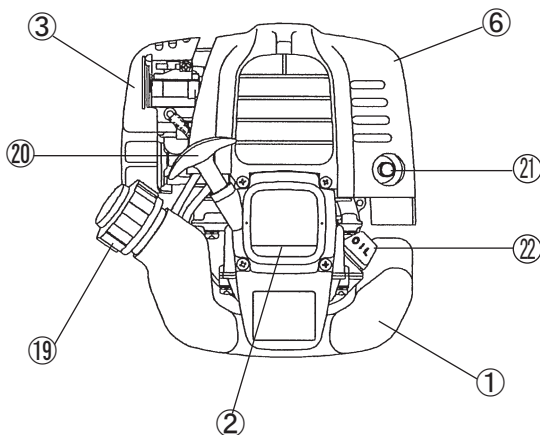
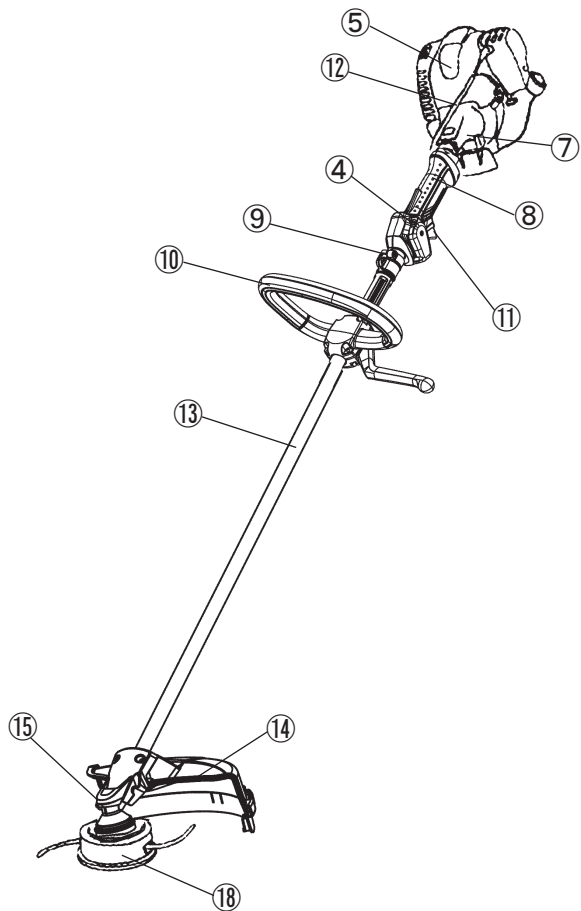
Típus		EBH253U		EBH253L	
		Kerékpár markolat		Hurok markolat	
Méretek: hosszúság x szélesség x magasság (vágókés nélkül) mm		1770 x 620 x 490		1770 x 330 x 275	
Súly (a műanyag védőburkolat és a vágókés nélkül)	kg	5,9		5,4	
Térfogat (üzemanyagtartály)	L	0,5			
Térfogat (olajtartály)	L	0,08			
Motor lökettérfogata	cm <sup>3</sup>	24,5			
Maximális motorteljesítmény	kw	0,71 - 7000 min <sup>-1</sup>			
Motor fordulatszáma az orsó maximálisan ajánlott fordulatszámánál	min <sup>-1</sup>	8500			
Maximális orsó fordulatszám (megfelelő)	min <sup>-1</sup>	6500			
Maximális üzemanyagfogyasztás	kg/h	0,33			
Maximális fajlagos üzemanyagfogyasztás	g/kwh	408			
Üresjárat fordulat/szám	min <sup>-1</sup>	3000			
Karburátor	típusa	WALBRO WYL			
Gyújtásrendszer	típusa	Szilárd állapotú gyújtás			
Gyújtógyertya	típusa	NGK CMR4A			
Elektróda-távolság	mm	0,7 - 0,8			
Vibráció az ISO 22867	Jobb markolat (Hátsó fogantyú)	$a_{hv\ eq}$	m/s <sup>2</sup>	2,6	5,3
		Bizonytalanság K	m/s <sup>2</sup>	0,83	1,22
	Bal markolat (Elülső fogantyú)	$a_{hv\ eq}$	m/s <sup>2</sup>	2,3	4,4
		Bizonytalanság K	m/s <sup>2</sup>	0,52	0,21
Átlagos hangnyomásszint az ISO 22868	$L_{PA\ eq}$	dB(A)	97,1		
	Bizonytalanság K	dB(A)	2,4		
Átlagos hangteljesítményszint az ISO 22868	$L_{WA\ eq}$	dB(A)	106,3		
	Bizonytalanság K	dB(A)	1,2		
Üzemanyag		Autóbenzin			
Motorolaj		API besorolású SAE 10W-30 olaj, SF vagy magasabb osztályú (4-ütemű gépkocsi motorokhoz)			
Vágószerszámok (vágókés átm.)	mm	230			
Áttétel		14/19			

## ALKATRÉSZEK MEGNEVEZÉSE

EBH252U  
EBH253U



EBH252L  
EBH253L



HU	ALKATRÉSZEK MEGNEVEZÉSE
1	Üzemanyagtartály
2	Behúzó
3	Légszűrő
4	I-O kapcsoló (be/ki)
5	Gyertya
6	Kipufogó hangtompítója
7	Tengelykapcsoló ház
8	Hátsó fogantyú
9	Akasztó
10	Fogantyú
11	Vezérlőkar
12	Vezérlőkábel
13	Tengely
14	Védő (vágószerszám védőburkolat)
15	Fogaskerékház/Fej
16	Fogantyú tartó
17	Fűrészlap
18	Nejlön vágófej
19	Üzemanyagbetöltő zárósapkája
20	Indítógomb
21	Kipufogócső
22	Olajmérce

## A FOGANTYÚ FELSZERELÉSE

FIGYELEM: Mindig állítsa le a motort és húzza le a gyújtáskábelt a benzinmotoros bozótvégén történő bármilyen munkavégzés előtt. Mindig viseljen védőkesztyűt!

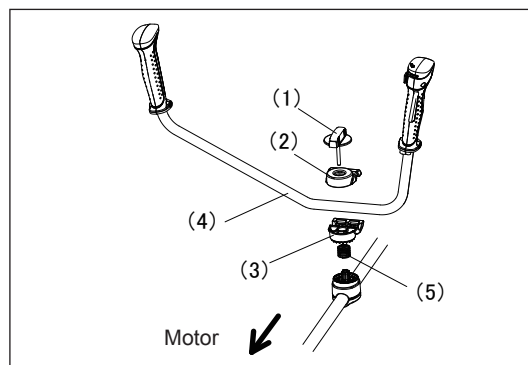
FIGYELEM: Csak teljesen összeszerelve indítsa be a benzinmotoros bozótvégét.



### Kerékpár markolatos típusú gépek

- Lazítsa meg a gombot (1).
- A markolatot (4) tegye a markolatszorító (2) és a markolatrögzítő (3) közé.
- Állítsa be a markolatot (4) egy kényelmes munkaszögbe, majd rögzítse a gombot (1) kézzel erősen becsavarva.

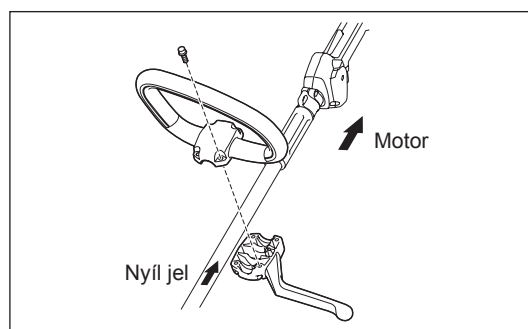
FIGYELEM: Ne felejtse el felszerelni a rugót (5).



### Hurok markolatú gépekhez

- A védőt rögzítse a gép bal oldalán, a kezelőt védő fogantyúval együtt.
- Győződjön meg róla, hogy a fogantyú/védő összeállítás a távtartó és a nyíl jel közé van felszerelve.

FIGYELEM: Ne távolítsa el, vagy zsugorítsa a távtartót. A távtartó egy bizonyos távolságot tart a két kéz között. Ha a fogantyú/védő összeállítást közelre állítja a másik fogantyúhoz a távtartó hosszán túl, akkor az irányíthatatlanságot eredményezhet, ami súlyos személyi sérüléssel járhat.



## A VÉDŐ FELSZERELÉSE

A vonatkozó biztonsági előírások betartásához csak a táblázatban megadott szerszám/védő kombinációk használhatók.

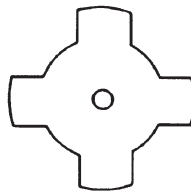


### Csak eredeti MAKITA vágókéseket vagy nejlon vágófejet használjon.

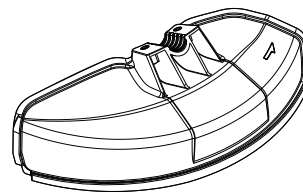
- A vágókésnek jól polírozottnak, karcolás- vagy törésmentesnek kell lennie. Ha a vágókés használat közben kőbe ütközik, azonnal állítsa le a motort és ellenőrizze a kést.
- Minden három óra használat után polírozza vagy cserélje ki a vágókést.
- Ha a nejlon vágófej használat közben kőbe ütközik, azonnal állítsa le a motort és ellenőrizze a nejlon vágófejet.

**FIGYELEM:** A saját biztonsága és a balesetmegelőző előírásoknak való megfelelés érdekében a megfelelő védőnek mindig fel kell lennie szerelve. A gép védő nélküli használata nem engedélyezett. A vágókés külső átmérőjének 230 mm-nek (9-1/16") kell lennie. Ne használjon 230 mm-t (9-1/16") meghaladó külső átmérővel rendelkező vágókéseket.

Fém kés



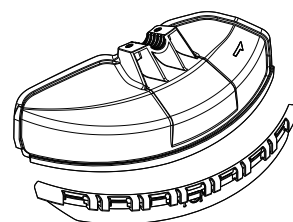
Védő a fém késekhez



Nejlon vágófej

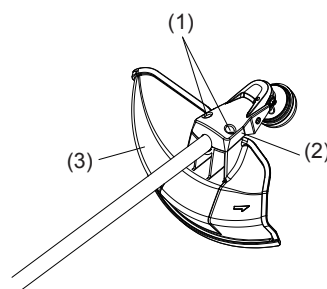


Védő a nejlon vágófejhez



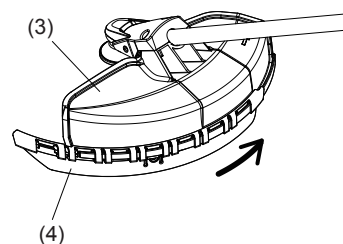
- Fém kés használatához a védőt (3) két M6 x 30 (1) csavarral csavarozza a rögzítőhöz (2).

**MEGJEGYZÉS:** Egyenletesen húzza meg a jobb és a bal oldali csavarokat, hogy a rögzítő (2) és a védő (3) közötti hézag egyforma legyen. Ellenkező esetben a védő esetleg nem fog a kívánt módon funkcionálni.

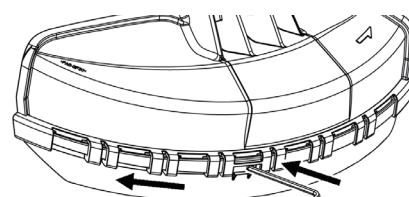


- Nejlon vágószál használata esetén szerelje fel a nejlon vágószál védőt (4) a fémkés védőre (3).
- Szerelje fel a nejlon vágószál védőt (4) úgy, hogy oldalról a helyére csúsztatja a fémkés védőn (3) az ábra szerint.
- Távolítsa el a nejlon vágószál védőn (4) a nejlonszál vágására szolgáló vágóra ragasztott szalagot.

**FIGYELEM:** Ügyeljen rá, hogy addig nyomja be a nejlon vágószál védőt (4), amíg teljesen be nem tolódik. Figyeljen oda, nehogy megvágja magát a nejlonszál vágására szolgáló vágóval.



- A nejlon vágószál védő (4) eltávolításához használjon imbuszkulcsot a fémkés védő (3) bevágásán, nyomja le, és közben csúsztassa ki a nejlon vágószál védőt (4).

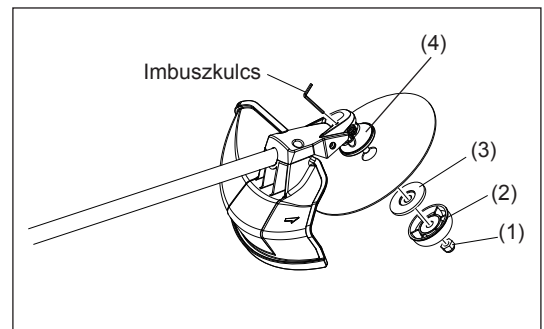


Imbuszkulcs

## A VÁGÓKÉS VAGY A NEJLON VÁGÓFEJ FELSZERELÉSE

Fordítsa fejjel lefelé a gépet, így könnyen kicserélheti a vágókést vagy a nejlon vágófejet.

- A nyíláson keresztül dugja be az imbuszkulcsot a fogaskerékházba, és forgassa a rögzítő alátétet (4) addig, amíg az imbuszkulcs nem rögzíti.
- A villáskulccsal lazítsa meg a csavaranyát (1) (balmenetes) és távolítsa el a csavaranyát (1), a kupakot (2) és a rögzítő alátétet (3).

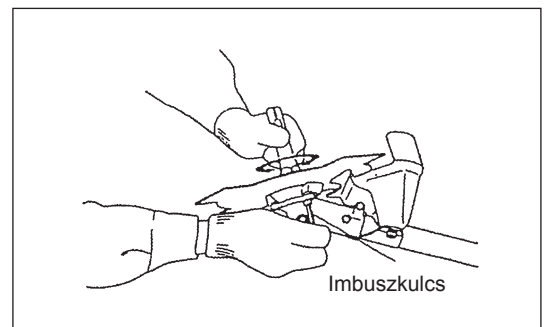


### A vágókés felszerelése a helyén tartott imbuszkulccsal

- Szerelje fel vágókést a tengelyre úgy, hogy a támasztó alátét (4) vezetője illeszkedjen a vágókésen lévő tengelynyílásba. Tegye vissza a rögzítő alátétet (3), a kupakot (2), végül a csavaranyával (1) rögzítse a vágókést. [Meghúzási nyomaték: 13 - 23 N-m]

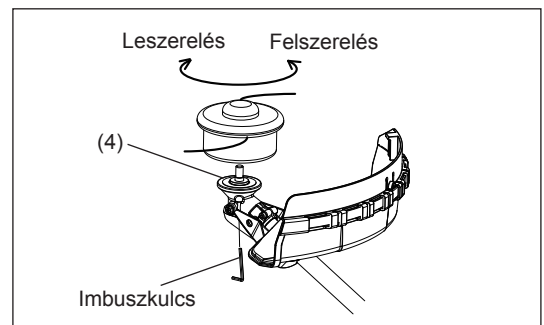
MEGJEGYZÉS: A vágókés kezelésekor mindig viseljen védőkesztyűt.

MEGJEGYZÉS: A vágókést rögzítő csavaranya (rugós alátétkarikával) kopó alkatrész. Ha bármilyen elhasználódás vagy deformáció látható a rugós alátéten, cserélje ki a csavaranyát.

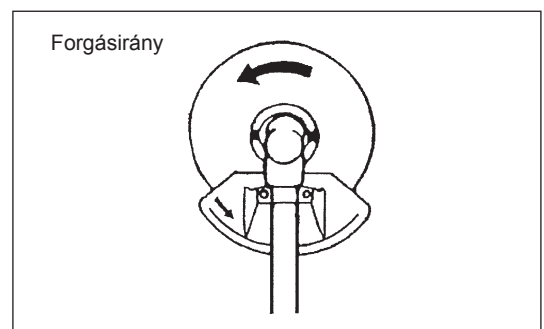


### A nejlon vágófej felszerelése

- A rögzítő alátét (3), a kupak (2) és a csavaranya (1) nem szükségesek a nejlon vágófej felszereléséhez. A nejlon vágófej a támasztó alátét (4) fölé kerül.
- A nyíláson keresztül dugja be az imbuszkulcsot a fogaskerékházba, és forgassa a rögzítő alátétet (4) addig, amíg az imbuszkulcs nem rögzíti.
- Ezután az óramutató járásával ellentétes irányba csavarja fel a nejlon vágófejet a tengelyre.
- Húzza ki az imbuszkulcsot.



- Ellenőrizze, hogy a vágókés balra forogva vág.



## A HASZNÁLAT MEGKEZDÉSE ELŐTT

### Ellenőrizze és tölts fel a motorolajat

- Lehűlt motornál végezze el a következő eljárást.
- A motor vízszintesen tartva vegye ki az olajmérceét és győződjön meg róla, hogy az olajsínt a felső és alsó jelzések között van. Amikor az olaj annyira kevés, hogy csak a mérce hegye érinti a olajat, különösen ha az olajmérce nincs is becsavarva a motorházba (1. ábra), öntsön friss olajat a nyílásba (2. ábra).
- Az olaj tájékoztató utántöltési periódusa körülbelül 10 óra (10-szer vagy 10 tartály olaj).  
Ha az olaj színe megváltozik vagy kosszal keveredik, cserélje le újra. (Az olajcsere periódusról és a csere módjáról lásd a 134. oldalt)

**Ajánlott olaj:** API besorolású SAE 10W-30 olaj, SF vagy magasabb osztályú (4-ütemű gépjármű motorokhoz)

**Olajtérfogat:** Körülbelül 0,08 L

Megjegyzés: Ha motort nem tartják vízszintesen, az olaj a motor köré folyhat, ami túltöltést eredményezhet.

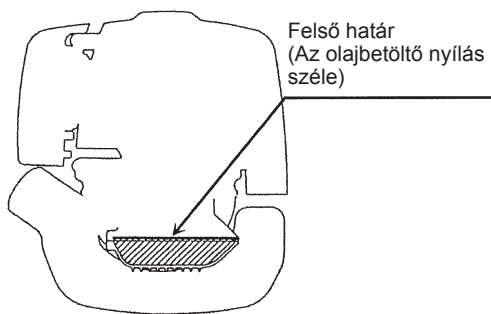
Ha az olajsínt a felső határ fölött van, az olaj szennyeződhet lehet vagy fehér füst kíséretében meggyulladhat.

### Az olajcsere 1. pontja: "Olajmérce"

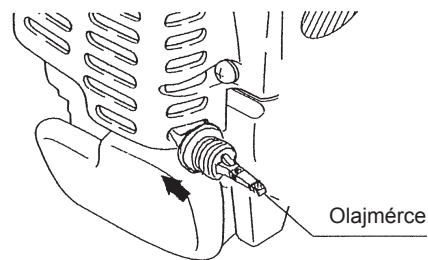
- Távolítsa el a kosszt és a szennyeződést az olajbeöntő nyílás környezetéből, és vegye ki az olajmérceét.
- A kivett olajmérceét tartsa homok- és koszmertesen. Ellenkező esetben a mérce tapadó homok vagy kosz akadózó olajkeringést vagy motor alkatrészeinek kopását okozhatja, ami problémákat eredményezhet.
- Egy példa az olajmérce tisztán tartására: ajánlott az olajmérceét a gombjánál fogva a motor burkolatába helyezni, a 3. ábrán látható módon.



1. ábra

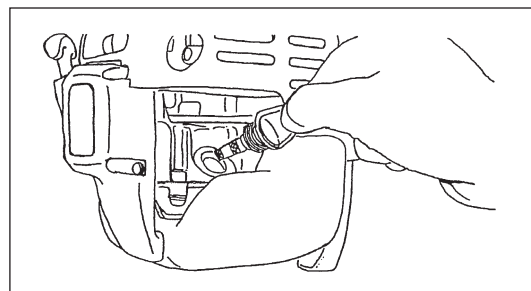


2. ábra

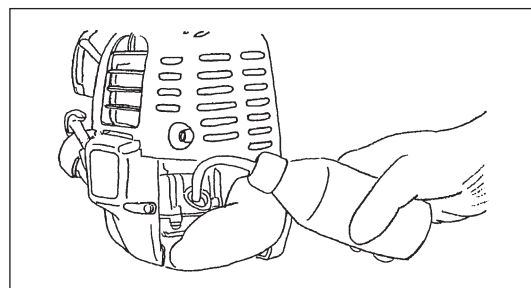


3. ábra

(1) Tartsa vízszintesen a motort és vegye ki az olajmérceét.



(2) Töltsön be olajat az olajbetöltő nyílás széléig. (Lásd a 2. ábrát az z előző oldalon).  
Az olajat az olajutántöltő edényből adagolja.



(3) Erősen csavarja be az olajmérceét. Az elégtelen becsavarás olajszivárgást okozhat.



### **Az olajcsere 2. pontja: “Ha az olaj kifröccsen”**

- Ha az olaj az üzemanyagtartály és a motor főegység közé fröccsen, akkor az olajat beszívja a légszűrőház, és elszennyezi a motort. A használat megkezdése előtt törölje le a kifröccsent olajat.

## **ÜZEMANYAGBETÖLTÉS**

### **Az üzemanyag kezelése**

Az üzemanyag kezelése különös odafigyelést igényel. Az üzemanyag oldószerekhez hasonló anyagokat tartalmazhat. Az újratöltést jól szellőző helyiségben vagy a szabadban kell elvégezni. Soha ne lélegezze be az üzemanyag gőzét és tartsa távol magától az üzemanyagot. Ha hosszabb ideig vagy többször is érintkezik az üzemanyaggal, a bőr kiszárad, ami bőrbetegséget vagy allergiát okozhat. Az üzemanyag szembe kerülése esetén a szemet friss vízzel tisztítsa ki. Ha a szem irritációja továbbra is fennáll, forduljon orvoshoz.

### **Az üzemanyag tárolási ideje**

Az üzemanyagot 4 héten belül el kell használni, még akkor is, ha jól szellőzött helyiségben egy speciális tárolóedényben tárolják. Speciális tárolóedény használata nélkül vagy nem letakart tárolóedényben az üzemanyag egy nap alatt elpárologhat.

### **A GÉP TÁROLÁSA ÉS AZ ÜZEMANYAGTARTÁLY FELTÖLTÉSE**

- A gépet és az üzemanyagtartályt hűvös, közvetlen napfénytől mentes helyen tartsa.
- Az üzemanyagot soha tartsa a fülkében vagy a platón.

## **Üzemanyag**

A motor négyütemű motor. Ügyeljen rá, hogy csak autóbenzint használjon (normál vagy prémium benzin).

### **Az üzemanyagra vonatkozó előírások**

- Soha ne használjon olyan benzinkeveréket ami motorolajat tartalmaz. Ellenkező esetben túlzott koromfelhalmozódás vagy mechanikai problémák léphetnek fel.
- Elhasználdott motorolaj használata problémákat okozhat az indításkor.

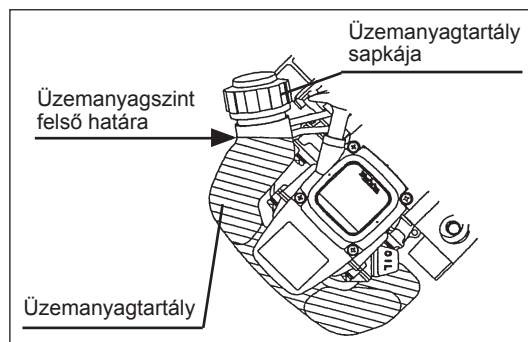
### **Az üzemanyag betöltése**

#### **FIGYELEM: ÉGHETŐ ANYAGOK HASZNÁLATA SZIGORÚAN TILOS**

**A használt benzin:** Autóbenzin (ólommentes benzin)

- Egy kicsit lazítsa meg az üzemanyagtartály sapkáját, hogy a légnyomáskülönbség kiegyenlítődjön.
- Vegye le az üzemanyagtartály sapkáját és tölts be az üzemanyagot. A levegő kiszorításához döntse meg az üzemanyagtartályt úgy, hogy a betöltőnyílás felfelé nézzen. (Soha ne töltsön üzemanyagot az olajbetöltő nyílásba.)
- Az idegen anyagok üzemanyagba való bejutását elkerülendő törölje le alaposan az üzemanyagtartály környékét.
- Az üzemanyag betöltése után erősen tekerje be az üzemanyagtartály sapkáját.

- Ha bármilyen repedés vagy sérülés látható az üzemanyagtartály sapkáján, cserélje ki.
- Az üzemanyagtartály sapkája kopó alkatrész, ezért két vagy háromévente cserélje le újra.



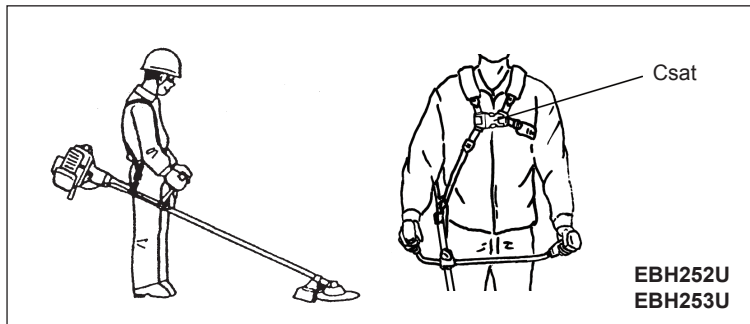
## A GÉP HELYES KEZELÉSE

### A vállszíj felhelyezése

- Úgy állítsa be a vállszíj hosszát, hogy a vágókést a talajjal párhuzamos legyen.

### EBH252U, EBH253U

MEGJEGYZÉS: Ügyeljen arra, hogy ruha vagy hasonló ne akadjon a csatba.



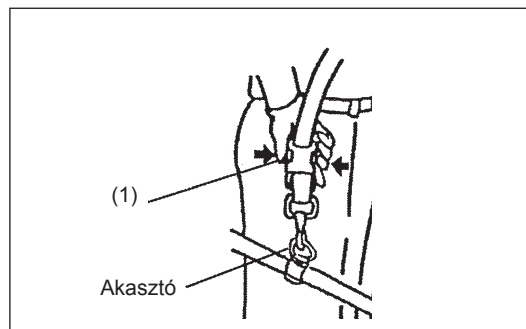
### Lecsatolás

### EBH252L, EBH253L

- Vész helyzetben nyomja meg a két oldalon levő bemélyedést (1), így le tudja csatolni magáról a gépet.

Legyen különösen óvatos ekkor, nehogy elveszítse az gép fölötti uralmat. Ne hagyja, hogy a gép maga felé vagy a munkakörnyezetben tartózkodó személyek felé dőljön.

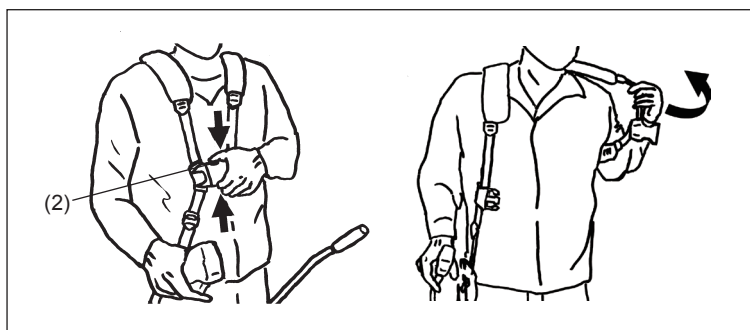
FIGYELEM: A gép teljes irányításának elvesztése komoly testi sérülést vagy HALÁLT okozhat.



### EBH252U, EBH253U

- Vész helyzetben nyomja meg a két oldalon levő bemélyedést (2), így le tudja csatolni magáról a gépet. Legyen különösen óvatos ekkor, nehogy elveszítse az gép fölötti uralmat. Ne hagyja, hogy a gép maga felé vagy a munkakörnyezetben tartózkodó személyek felé dőljön.

FIGYELEM: A gép teljes irányításának elvesztése komoly testi sérülést vagy HALÁLT okozhat.



## A HASZNÁLATRA VONATKOZÓ ELŐÍRÁSOK ÉS A LEÁLLÍTÁS MÓDJA

Tartsa be a vonatkozó balesetmegelőzési előírásokat!

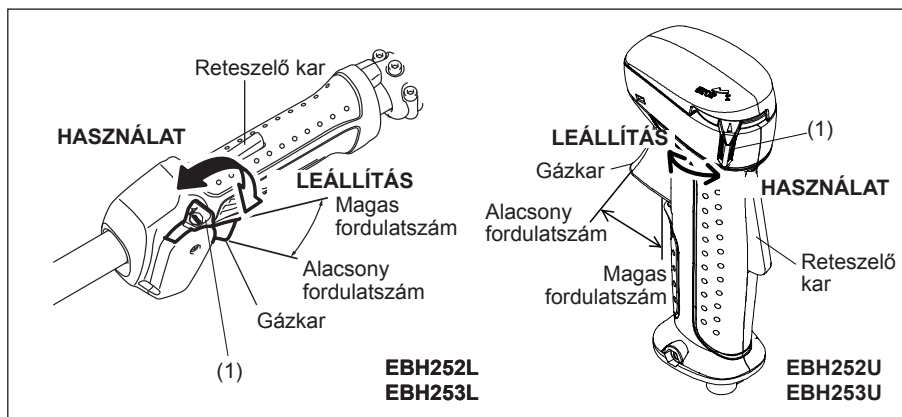


### INDÍTÁS

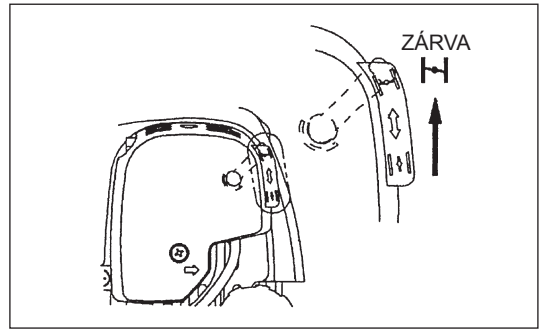
Távolodjon a legalább 3 méterre az üzemanyagbetöltés helyétől. A benzinmotoros bozótvégót tegye egy tiszta felületre a talajon, ügyelve arra, hogy a vágószerszám ne érjen a földhöz vagy más tárgyhoz.

### A: Hidegindítás

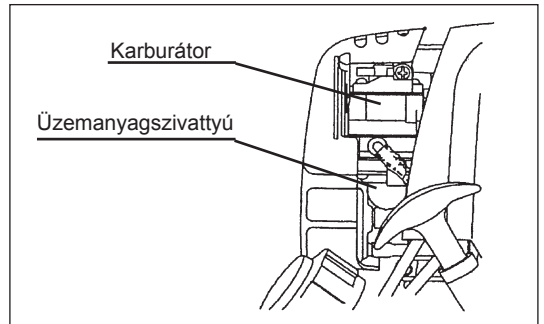
- 1) A gépet tegye egy lapos felületre.



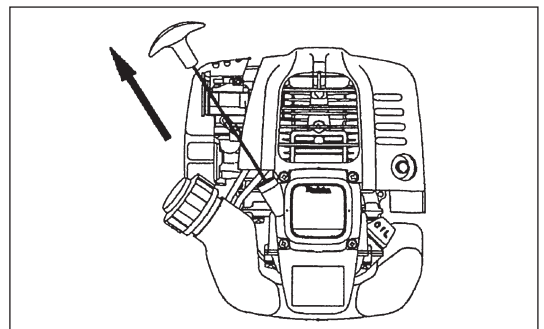
- 2) Az I-O kapcsolót (1) állítsa HASZNÁLAT állásba.
- 3) Fojtószelep  
Zárja be a fojtószelepet.  
Fojtószelep nyitása:  
– Hidegen vagy hideg motornál teljesen zárja be.  
– Használat utáni újraindításkor teljesen vagy félig nyissa ki.



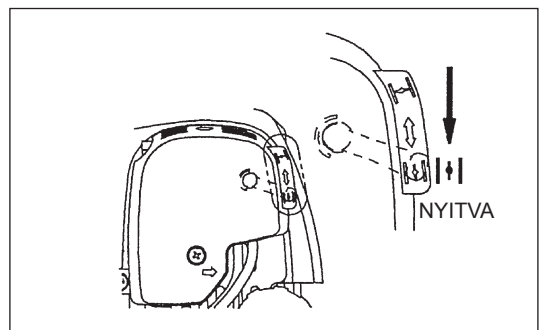
- 4) Üzemanyagszivattyú  
Addig nyomkodja az üzemanyagszivattyút, amíg az üzemanyag be nem folyik az üzemanyagszivattyúba. (Általában az üzemanyag az üzemanyagszivattyúba 7 - 10 lenyomás után folyik be.)  
Az üzemanyagszivattyú túlzott nyomkodása esetén a felesleges benzin visszafolyik az üzemanyagtartályba.



- 5) Behúzó  
Óvatosan húzza az indítógombot addig, amíg meg nem feszül (kompressziós pont). Ezután engedje vissza az indítógombot és erősen húzza meg.  
Soha ne húzza ki teljesen a kötelet. Az indítógomb kihúzásakor soha ne lazítsa el azonnal a kezét. Addig tartsa az indítógombot, amíg vissza nem tér az eredeti pontba.



- 6) Fojtószelep  
A motor beindulása után nyissa ki a fojtószelepet.  
– Fokozatosan nyissa ki a fojtószelepet, és közben ellenőrizze a motor működését. Ügyeljen rá, hogy teljesen a végéig kinyissa a fojtószelepet.  
– Hidegben vagy lehűlt motorral soha ne nyissa ki hirtelen a fojtószelepet. Ellenkező esetben a motor leállhat.



- 7) Bemelegítés  
A bemelegítést 2 - 3 percig folytassa.

Megjegyzés: –Ha az indítógombot a fojtószelep "ZÁRT" állásában többször meghúzzák, a túlzott üzemanyagbeszívás következtében a motor nem fog könnyen beindulni.  
–Túlzott üzemanyagbeszívás esetén csavarja ki a gyújtógyertyát és lassan húzza az indítógombot a fölös üzemanyag eltávolításához. Emellett a gyújtógyertya elektróda részét is szárítsa meg.

### Figyeljen oda használat közben:

Ha a gázkar terhelésmentes használatkor teljesen nyitva van, a motor fordulatszáma 10 000 min<sup>-1</sup> vagy magasabb lehet. Ne üzemeltesse a szükségesnél nagyobb fordulatszámon a motort, csak körülbelül 6000 - 8500 min<sup>-1</sup> értéken.

## B: Indítás a bemelegítés után

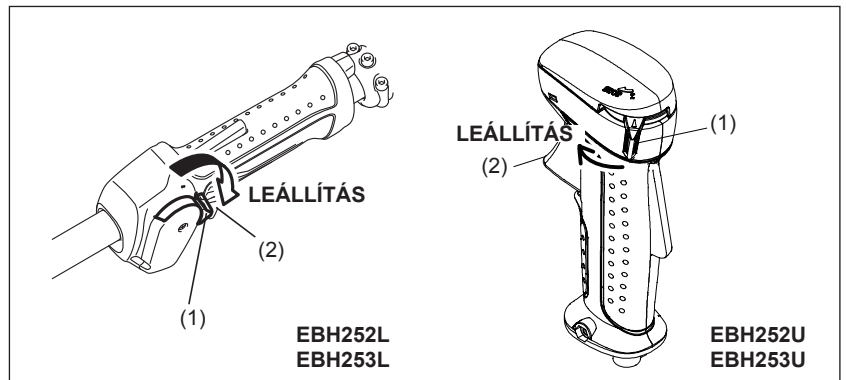
- 1) Többször nyomja le az üzemanyagszivattyút.
- 2) A gázkart tartsa alapjáratú pozícióban.
- 3) Erősen húzza meg a behúzó.
- 4) Ha nehéz a motor beindítása, akkor kb. 1/3-ára nyissa ki a fojtószelepet. Figyeljen oda a vágókésre, mert foroghat.

### Figyelem a használat során

A motor fejjel lefelé való működtetésekor fehér füst jöhet ki a hangtompítóból.

## LEÁLLÍTÁS

- 1) Teljesen engedje el a gázkart (2) és a motor fordulatszámának csökkenésekor állítsa az I-O kapcsolót LEÁLLÍTÁS állásba, ekkor a motor leáll.
- 2) Figyeljen oda, mert a vágófej esetleg nem áll meg azonnal; hagyja teljesen leállni.

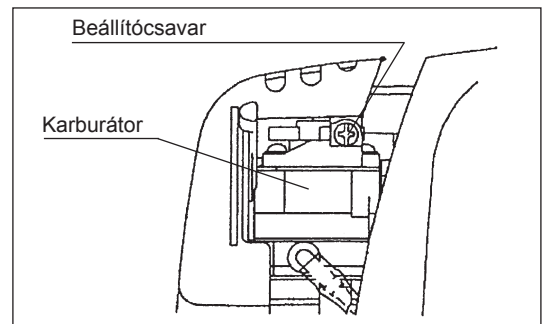


## AZ ALACSONY FORDULATSZÁM (ALAPJÁRAT) BEÁLLÍTÁSA

Amikor be kell állítani az alacsony fordulatszámot (alapjáratot), azt a karburátor szabályozó csavarjával végezze el.

## AZ ALACSONY FORDULATSZÁM ELLENŐRZÉSE

- Az alacsony fordulatszámot állítsa  $3000 \text{ min}^{-1}$  értékre. Ha szükséges a forgási sebesség megváltoztatása, egy csillagfejű csavarhúzóval állítson a szabályozó csavaron (jobbra látható).
- A szabályozó csavar jobbra forgatásakor a motor fordulatszáma nő. A szabályozó csavar balra forgatásakor a motor fordulatszáma csökken.
- A karburátor szállítás előtt általában be van szabályozva. Ha újra kell szabályozni, lépjen kapcsolatba a hivatalos szervizzel.



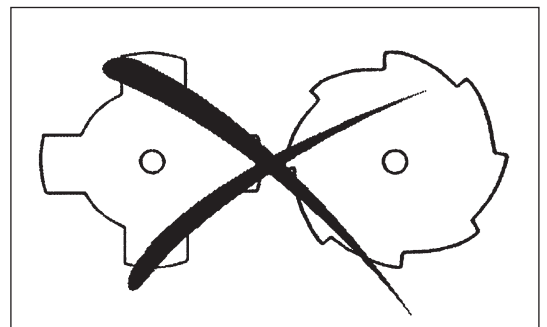
## A VÁGÓESZKÖZ ÚJRAÉLEZÉSE



**FIGYELEM:** A lent említett vágóeszközök csak a hivatalos szakműhelyben élezhetők újra. A kézi újraélezés a vágószerszám kiegyensúlyozatlanságát eredményezi, ami vibrációt valamint a berendezés károsodását okozza.

- vágókés  
Szakszerű újraélezést és kiegyensúlyozást a hivatalos szerviz végez.

**MEGJEGYZÉS:** A vágókés élettartama egyszeri megfordításával meghosszabbítható, és a kés addig használható, amíg mindkét vágóél el nem tompul.



## NEJLON VÁGÓFEJ

A nejlon vágófej egy dupla szegélyvágó fej, amely automatikus és ütközéses adagolás mechanizmussal fel van szerelve.

A nejlon vágófej automatikusan adagolja a megfelelő hosszúságú nejlonszálat, a centrifugális erő okozta fordulatszám-növekedés vagy -csökkenés függvényében. Azonban a puha fű hatékonyabb vágásához a nejlon vágófejet üsse oda a talajhoz, hogy extra vágószálat adagoljon, a használat részben leírt módon.

### Használat

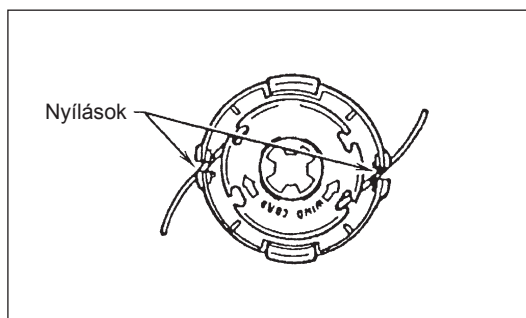
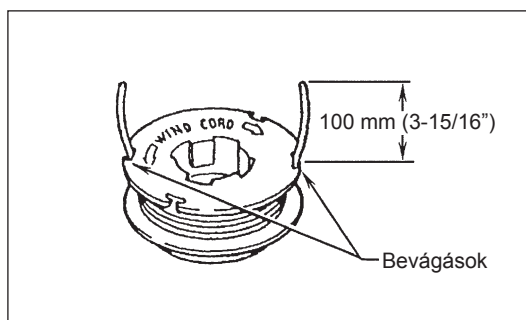
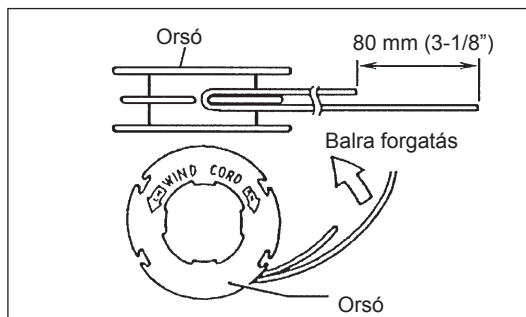
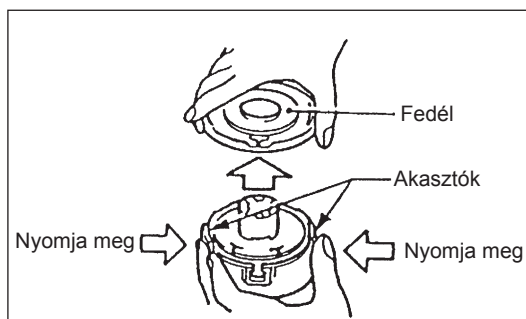
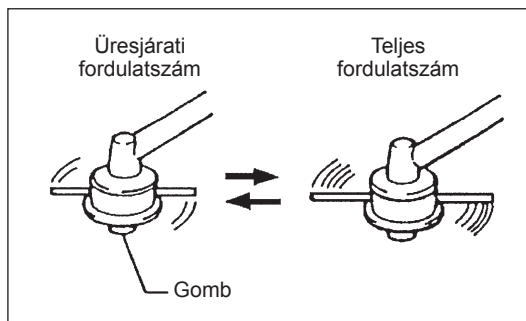
- Növelje a nejlon vágófej fordulatszámát kb.  $6000 \text{ min}^{-1}$  értékre. Az alacsony fordulatszám ( $4800 \text{ min}^{-1}$  alatt) nem megfelelő, a nejlonszál adagolása alacsony fordulatszámon nem lesz megfelelő.
- A leghatékonyabb vágási területet az árnyékolt rész mutatja.

Ha a nejlonszál adagolása nem történik meg automatikusan, járjon el a következő módon:

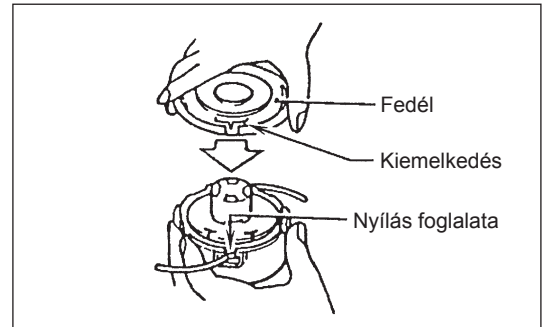
1. Engedje fel a gázkart, hogy a motor alapjáraton működjön, majd teljesen húzza meg a gázkart. Addig ismétlje ezt a műveletet, amíg a nejlonszál megfelelő hosszúságban nem adagolóódik ki.
2. Ha a nejlonszál túl rövid ahhoz, hogy a fenti eljárással automatikusan adagolni lehessen, üsse a talajhoz a nejlon vágófej gombját a nejlonszál adagolásához.
3. Ha a nejlonszál adagolása a 2. művelettel sem történik meg, a "A nejlonszál cseréje" részben leírt módon tekerje fel/cserélje ki a nejlonszálat.

### A nejlonszál cseréje

- Először állítsa le a motort.
- Nyomja be a házon levő akasztókat a fedél leemeléséhez, majd vegye ki az orsót.
- A nejlonszál közepét akassza be az orsó közepén lévő bevágásba úgy, hogy a szál egyik vége kb. 80 mm-rel ( $3\text{-}1/8''$ ) hosszabb legyen, mint a másik vége. Ezután tekerje mindkét véget erősen az orsó köré a fej forgásirányával megegyezően (a balra forgást az LH, a jobbra forgást pedig az RH felirat jelzi az orsó oldalán).
- Tekerje fel az egész szálat egy kb. 100 mm-es ( $3\text{-}15/16''$ ) darabot kivéve úgy, hogy a végeket ideiglenesen beakasztja az orsó szélén lévő bevágásba.
- Szerelje fel az orsót a házra úgy, hogy az orsón lévő mélyedések és kiemelkedések illeszkedjenek a házban lévőkhöz. Az orsó feliratos oldala nézzen felfelé, hogy látható legyen. Most akassza ki a szál végeit az ideiglenes helyükről, és vezesse át a szálat a nyílásokon, hogy kijöjjenek a házból.



- A fedél alján lévő kiemelkedést igazítsa a nyílások foglatához. Ezután a rögzítéshez erősen nyomja rá a házra a fedelet.



## SZERVIZELÉSI UTASÍTÁSOK

**FIGYELEM:** A benzinmotoros bozótvégőn végzett mindenfajta munka elvégzése előtt mindig le kell állítani a motort és le kell húzni a gyújtókábelt (lásd "A gyújtógyertya ellenőrzése" fejezetet). Mindig viseljen védőkesztyűt!

A gép hosszú élettartama és a berendezés károsodásának megelőzése érdekében szabályos időközönként el kell végezni a következő szervizműveleteket.

### Napi ellenőrzés és karbantartás

- Használat előtt ellenőrizze a gépet meglazult csavarokat vagy hiányzó alkatrészeket keresve. Szenteljen különös figyelmet a vágókés vagy a nejlon vágófej rögzítésére.
- Használat előtt mindig ellenőrizze a levegőáramlás és a henger bordáinak eltömődöttségét. Szükség esetén tisztítsa meg ezeket.
- Használat után naponta végezze el a következő teendőket:
  - Külsőleg tisztítsa meg a benzinmotoros bozótvégőt és vizsgálja át sérüléseket keresve.
  - Tisztítsa meg a levegőszűrőt. Különösen szennyezett körülmények közötti használat esetén naponta többször tisztítsa ki a levegőszűrőt.
  - Ellenőrizze a vágókést vagy a nejlon vágófejet sérüléseket keresve, és ellenőrizze, hogy erősen rögzítve vannak.
  - Ellenőrizze, hogy elégséges különbség van az alapjáratú és a összekapcsolási fordulatszámok között, amely biztosítja a vágószerszám mozdulatlanosságát a motor alapjáratán (ha szükséges csökkentse az alapjáratú fordulatszámot). Ha alapjáraton a szerszám továbbra is forog, konzultáljon a legközelebbi hivatalos szervizzel.
- Ellenőrizze az I-O kapcsoló, a reteszelő kar, a vezérlőkar és a lezáró gomb működését.

### A MOTOROLAJ CSERÉJE

Az elhasználódott motorolaj nagymértékben csökkenteni fogja a csúszó és forgó alkatrészek élettartamát. Figyeljen oda a csereperiódusra és a mennyiségre.



**FIGYELEM:** A motor leállítása után a motor főegysége és a motorolaj forró marad. Az olajcsere előtt ellenőrizze, hogy a motor főegység és a motorolaj eléggé lehűlt. Ellenkező esetben leforrázhatja magát.

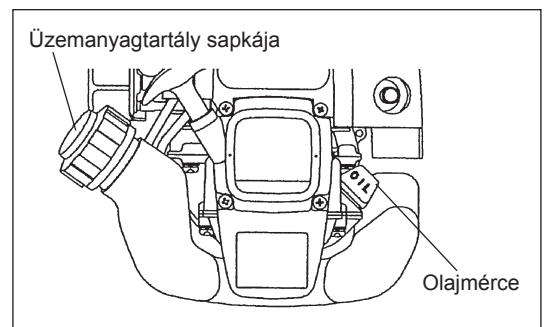
**Megjegyzés:** Ha az olajszint a felső határ fölött van, az olaj szennyeződhet lehet vagy fehér füst kíséretében meggyulladhat.

**Csereintervallum:** Kezdetben minden 20 üzemóránként, majd minden 50 üzemóránként

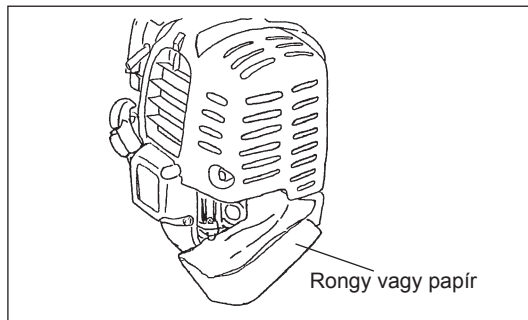
**Ajánlott olaj:** API besorolású SAE 10W-30 olaj, SF vagy magasabb osztályú (4-ütemű gépjármű motorokhoz)

A cseréhez a következőket műveleteket végezze el.

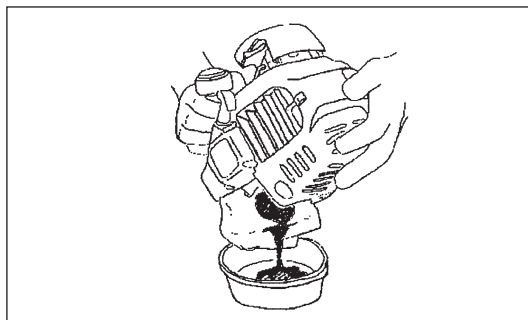
- 1) Győződjön meg róla, hogy az üzemanyagtartály sapkája szorosan rögzítve van.
- 2) Távolítsa el az olajmérceét.  
A kivett olajmérceét tartsa homok- és koszmentesen.



3) Tegyen egy papírt vagy rongyot az olajbetöltő nyílás köré.



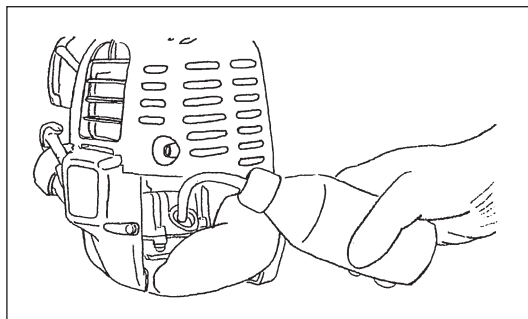
4) Távolítsa el az olajmérécét és öntse ki az olajat úgy, hogy a főegységet az olajbetöltő nyílás felé dönti.  
Az előírt megsemmisítéshez egy tartályba öntse ki az olajat.



5) A motort tartsa vízszintesen és öntse be az új olajat az olajbetöltő nyílás aljág.

A betöltéshez használjon egy kenőanyag utántöltő edényt.

6) A betöltés után erősen csavarja be az olajmérécet. Az olajmérce elégtelen meghúzása olajszivárgáshoz vezethet.



### AZ OLAJRA VONATKOZÓ ELŐÍRÁSOK

- A lecserélt olajat soha ne öntse a szemébe, a földre vagy a szennyvízcsatornába. Az olaj megsemmisítését a törvény szabályozza. Az megsemmisítéskor mindig kövesse a vonatkozó törvényeket és szabályozásokat. Ha bármilyen kérdése van, lépjen kapcsolatba a hivatalos szervizzel.
- Az olaj használaton kívül is elhasználódik. Rendszeres időközönként végezzen átvizsgálást és cserét (6 havonta cserélje le az olajat).

### A LÉGSZŰRŐ TISZTÍTÁSA



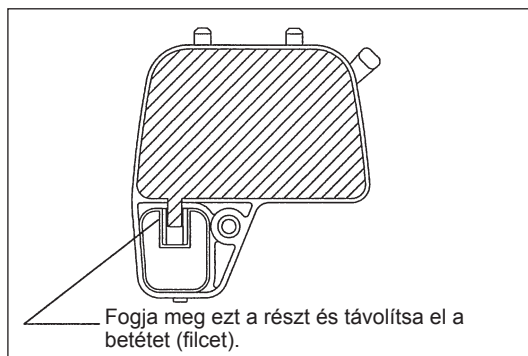
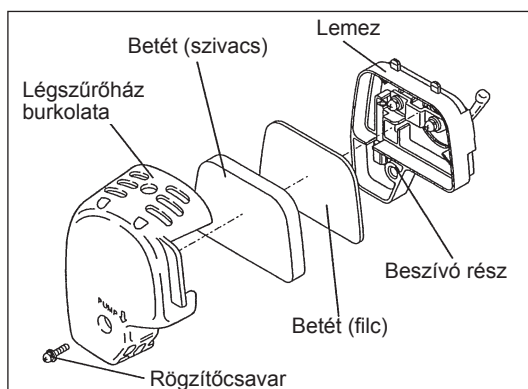
**VESZÉLY: ÉGHETŐ ANYAGOK HASZNÁLATA SZIGORÚAN TILOS**

**A tisztítási és átvizsgálási intervallum: Napi (minden 10 üzemóránként)**

- A fojtószelepet fordítsa teljesen zárt oldalra, és a karburátort tartsa portól mentesen.
- Távolítsa el a légszűrőház burkolatának rögzítőcsavarjait.
- Húzza meg a burkolat alsó részét, és vegye le a légszűrőház burkolatát.
- Ha olaj tapad a betéthez (szivacs), erősen rázza meg.
- Erős szennyeződés esetén:
  - 1) Vegye ki a betétet (szivacs), merítse meleg vízbe vagy vízzel hígított semleges tisztítószerbe, majd teljesen szárítsa ki.
  - 2) A betétet (filc) benzinnel tisztítsa ki, majd teljesen szárítsa meg.
- A betét behelyezés előtt győződjön meg róla, hogy teljesen megszáradt. A nem teljesen megszáradt betét nehézkes indításhoz vezethet.
- A légszűrőház burkolata és a beszívónyílás köré tapadt olajat törölje fel egy ronggyal.
- A tisztítás után azonnal szerelje fel a légszűrőház burkolatát és rögzítse a rögzítőcsavarokkal. (Az összeszereléskor először a felső karmot tegye fel, majd az alsó karmot.)

### A légszűrőbetét kezelésére vonatkozó előírások

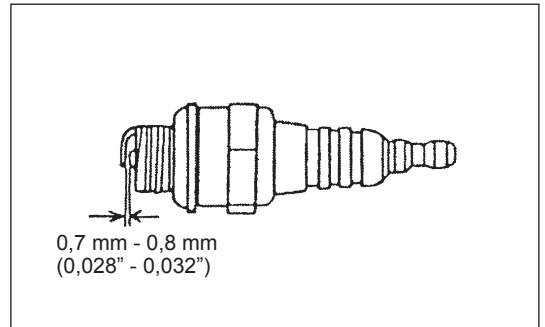
- Túlzott por felhalmozódása esetén naponta többször tisztítsa ki a betétet.
- Ha az olajtól nem megfelelően megtisztított betéttel folytatja a használatot, a légszűrőben lévő olaj kifolyhat, ami olajszennyezést eredményez.



## A GYÚJTÓGYERTYA ELLENŐRZÉSE

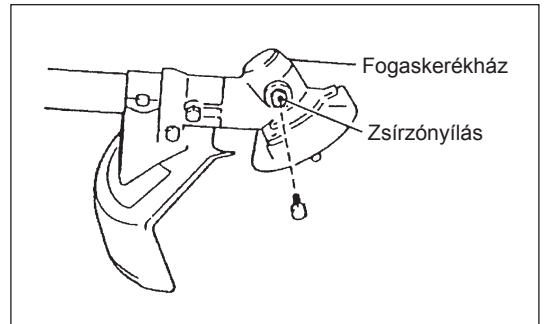
- A gyújtógyertya eltávolításához vagy beszereléséhez csak a mellékelt univerzális kulcsot használja.
- A gyújtógyertya két elektródja közötti távolságnak 0,7 - 0,8 mm-nek kell lennie. Ha a hézag túl nagy vagy túl kicsi, állítsa be. Ha a gyújtógyertya szennyezett vagy eltömődött, alaposan tisztítsa ki vagy cserélje ki.

FIGYELEM: Működő motornál soha ne érintse meg a gyújtáskábelt (nagyfeszültségű áramütés veszélye).



## KENŐZSÍR ADAGOLÁSA A FOGASKERÉKHÁZBA

- Minden 30 üzemóránként adagoljon kenőzsírt (Shell Alvania 2 vagy azzal egyenértékű) a fogaskerékházba a zsírzónyíláson át. (Eredeti MAKITA kenőzsír a MAKITA forgalmazótól szerezhető be.)



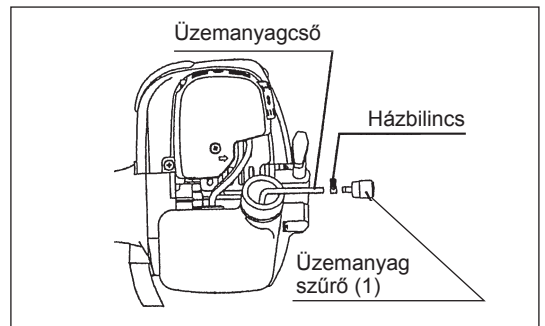
## AZ ÜZEMANYAGSZŰRŐ TISZTÍTÁSA

### FIGYELEM: ÉGHETŐ ANYAGOK HASZNÁLATA SZIGORÚAN TILOS

A tisztítási és átvizsgálási intervallum: Havonta (minden 50 üzemóránként)

#### Az üzemanyagtartályban lévő szívófej

- A szívófejen levő üzemanyagszűrő (1) a karburátorba befolyó üzemanyag szűrésére szolgál.
- Az üzemanyagszűrőt rendszeresen át kell vizsgálni vizuálisan. Ennek elvégzéséhez nyissa ki az üzemanyagtartály sapkáját és egy drótkampó segítségével húzza ki a szívófejet az üzemanyagtartály nyílásán át. A megkeményedett, elszennyeződött vagy eltömődött szűrőt cserélje ki.
- Az elégtelen üzemanyag adagolás a megengedett maximális fordulatszám túllépését eredményezheti. Ezért a karburátor elégséges üzemanyagellátásának biztosításához fontos az üzemanyagszűrő legalább negyedévente történő cseréje.

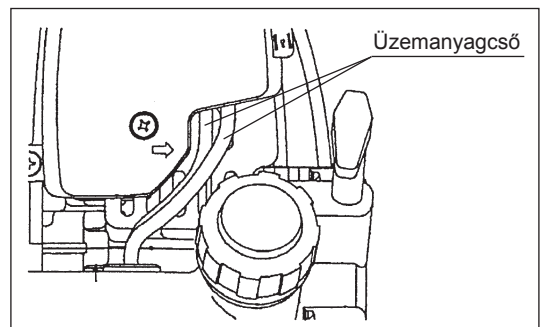


## AZ ÜZEMANYAGCSŐ CSERÉJE

### FIGYELEM: ÉGHETŐ ANYAGOK HASZNÁLATA SZIGORÚAN TILOS

A tisztítási és átvizsgálási intervallum: Napi (minden 10 üzemóránként)  
Csere: Évente (minden 200 üzemóránként)

Az üzemanyagcsövet a gép használatától függetlenül minden évben cserélje ki. Az üzemanyagszivárgás tüzet okozhat. Ha átvizsgáláskor bármilyen szivárgást észlel, azonnal cserélje ki az olajcsövet.



## CSAVAROK, CSAVARANYÁK ÉS CSAVAROK ÁTVIZSGÁLÁSA

- A meglazult csavarokat, csavaranyákat, stb. húzza meg.
- Ellenőrizze az olaj- és üzemanyagszivárgást.
- A biztonságos használathoz a sérült alkatrészeket cserélje újakra.

## AZ ALKATRÉSZEK TISZTÍTÁSA

- A motort mindig tartsa tisztán.
- A henger bordáit tartsa tisztán, portól vagy szennyeződéstől mentesen. A bordákra tapadt por vagy szennyeződés a dugattyú beszorulását okozhatja.

## A TÖMÍTÉSEK ÉS A TÖMÍTŐGYŰRŰK CSERÉJE

A motor szétszerelését követő összeszereléskor ügyeljen rá, hogy a tömítőgyűrűket és a tömítéseket újakra cserélje. Az olyan karbantartási munkákat, amelyeket a kezelési útmutató nem tartalmaz és nincsenek leírva, csak a hivatalos szerviz végezheti el.



## TÁROLÁS



**FIGYELEM: Az üzemanyag kiöntésekor állítsa le a motort és ellenőrizze, hogy lehűlt.**  
A motor rögtön a leállítás után forró lehet, ami égést, tüzet okozhat és robbanásveszélyes lehet.



**FIGYELEM: A gép hosszabb ideig való tárolásakor az összes üzemanyagot öntse ki a üzemanyagtartályból és a karburátorból, majd tegye száraz és tiszta helyre.**

– A következő eljárás szerint öntse ki az üzemanyagot az üzemanyagtartályból és a karburátorból:

- 1) Vegye le az üzemanyagtartály sapkáját, és öntse ki az összes üzemanyagot.  
Ha bármilyen idegen anyag maradt az üzemanyagtartályban, távolítsa el.
- 2) Egy dróttal húzza ki az üzemanyagszűrőt a betöltőnyíláson át.
- 3) Addig nyomkodja az üzemanyagszivattyút, amíg ki nem folyik belőle az üzemanyag, vissza az üzemanyagtartályba.
- 4) Tegye vissza az üzemanyagszűrőt, és erősen húzza meg az üzemanyagtartály sapkáját.
- 5) Ezután addig járassa a motort, amíg meg nem áll.

– Vegye ki a gyújtógyertyát, majd a gyújtógyertya nyílásába cseppentsen néhány csepp motorolajat.

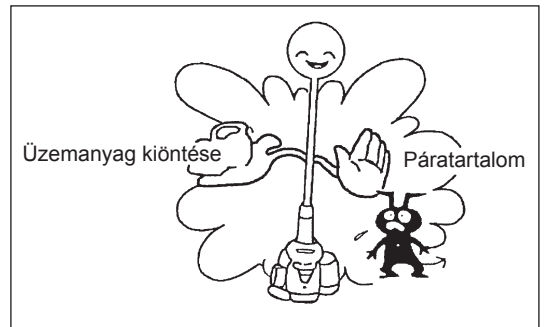
– Erősen húzza meg a behúzó, így a motorolaj szétspriccel a motorban, ezután és tegye vissza a gyújtógyertyát.

– A vágókésre szerelje fel a burkolatot.

– Tároláskor a rúd vízszintesen álljon vagy a gép felfelé nézzen úgy, hogy a kés éle felfelé nézzen. (Ebben az esetben fordítson különös figyelmet arra, hogy a gép ne essen le.)

Soha ne tárolja úgy a gépet, hogy a vágókés éle lefelé néz. Kifolyhat a kenőolaj.

– A kiöntött üzemanyagot egy speciális tartályban tartsa, jól szellőztetett helyiségben.



### Figyelem a hosszabb idejű tárolást követően

– Hosszabb idejű leállást követően a beindítás előtt cserélje le az olajat (lásd 134. oldal). Az olaj használaton kívül is elhasználódik.

### Hiba helye

Hiba	Rendszer	Megjegyzés	Ok
A motor nehezen vagy nem indul	Gyújtásrendszer	Gyújtószikra O.K.	Hiba az üzemanyagellátó vagy a kompressziós rendszerben, mechanikus meghibásodás
		Nincs gyújtószikra	A LEÁLLÍTÁS kapcsolót működtették, vezetékszakadás vagy rövidzárlat, a gyújtáskábel vagy a csatlakozó hibás, gyújtásmodul meghibásodása
	Üzemanyagellátás	Az üzemanyagtartály fel van töltve	Helytelen fojtószelep állás, karburátor meghibásodott, üzemanyagtovábbító csőrendszer elhajlott vagy eltömődött, szennyezett az üzemanyag
	Kompresszió	Behúzáskor nincs kompresszió	Henger alsó tömítőgyűrűje hibás, sérült a főtengely tömítése, a henger vagy a dugattyúgyűrűk hibásak, vagy a gyújtógyertya tömítése nem megfelelő
Meleg indítási problémák	Mechanikus hiba	Az indító nem forog	Törött az indító rugója, törött alkatrészek a motor belsejében
		Az üzemanyagtartály fel van töltve, gyújtószikra rendben	Eltömődött karburátor, tisztítást igényel
A motor beindul, de azután lefullad	Üzemanyagellátás	Az üzemanyagtartály fel van töltve	Az alapjárat beállítása rossz, eltömődött a karburátor
Elégtelen teljesítmény	Egyszerre több rendszer lehet érintett	Gyenge a motor alapjárata	Az üzemanyagtartály szellőzőnyílása eltömődött, az üzemanyagtovábbítás megszakadt, kábel vagy LEÁLLÍTÁS kapcsoló meghibásodása
			Eltömődött a légszűrő, eltömődött a karburátor, eltömődött a hangtompító, a henger kipufogó nyílása eltömődött

Elem	Használati idő	Használat előtt	Kenés után	Naponta (10 h)	30 h	50 h	200 h	Leállítás/elrakás	Megfelelő oldal
Motorolaj	Átvizsgálás/tisztítás	○							128
	Cserélje ki					○*1			134
Alkatrészek meghúzása (csavar, csavaranya)	Átvizsgálás	○							136
Üzemanyagtartály	Tisztítás/átvizsgálás	○							—
	Üzemanyag kiöntése							○*3	137
Gázkar	Működés ellenőrzése		○						—
Leállítás kapcsoló	Működés ellenőrzése		○						132
Vágókés	Átvizsgálás	○		○					126
Forgás alacsony fordulatszámon	Átvizsgálás/beállítás			○					132
Légszűrő	Tisztítsa meg			○					135
Gyújtáskábel	Átvizsgálás			○					136
Hűtőlevegő csöve	Tisztítás/átvizsgálás			○					136
Üzemanyagcső	Átvizsgálás			○					136
	Cserélje ki						◎*2		—
Fogaskerékház kenése	Újratöltés				○				136
Üzemanyagszűrő	Tisztítás/csere					○			136
A szívószelep és a kipufogószelep közötti távolság	Állítsa be						◎*2		—
Motor generáljavítása							◎*2		—
Karburátor	Üzemanyag kiöntése							○*3	137

\*1 Az első cserét 20 üzemóra után végezze el.

\*2 A 200 üzemórás átvizsgálást hivatalos szervizben vagy műhelyben végeztesse el.

\*3 Az üzemanyagtartály kiürítése után folytassa a motor működtetését, és engedje le a karburátorban levő üzemanyagot.

## HIBAELEHÁRÍTÁS

Mielőtt a gép javítását kéri, próbálja megállapítani a hibát. Ha bármilyen szokatlan dolgot észlelt, a kézikönyvben leírtak szerint irányítsa a gépet. Soha nem nyúljon bele és ne szereljen szét semmilyen alkatrészt a leírással ellenkező módon. A javításhoz lépjen kapcsolatba a hivatalos szervizzel vagy a helyi forgalmazóval.

Abnormális állapot	Lehetséges ok (meghibásodás)	Megoldás
A motor nem indul el	Az üzemanyagszivattyú nem működik	Nyomja meg 7-10-szer
	Az indítókötél alacsony behúzási sebessége	Húzza meg erősebben
	Üzemanyaghiány	Adagoljon üzemanyagot
	Eltömődött üzemanyagszűrő	Tisztítsa meg
	Törött üzemanyagcső	Egyenesítse ki az üzemanyagcsövet
	Rossz üzemanyag	A rossz minőségű üzemanyag sokkal nehezebbé teszi az indítást. Cserélje újra. (Ajánlott csereintervallum: 1 hónap)
	Túlzott üzemanyagbeszívás	A gázkart közepes sebességről állítsa maximális sebességre és húzza az indítófogantyút amíg a motor el nem indul. <b>A motor beindulásakor a vágókés elkezd forogni. Fordítson teljes figyelmet a vágókésre.</b> Ha még mindig nem indul be a motor, vegye ki a gyújtógyertyát, szárítsa meg az elektródát, és úgy tegye vissza a gyertyát. Ezután a megadott módon indítsa a motort.
	Lehúzódtott a gyertya kupakja	Rögzítse megfelelően
	Elszennyeződött gyújtógyertya	Tisztítsa meg
	Nem megfelelő a gyújtógyertya hézagja	Állítsa be a hézagot
	A gyújtógyertya más meghibásodása	Cserélje ki
	Hibás karburátor	Végeztesen átvizsgálást és karbantartást.
	A behúzókötelet nem lehet meghúzni	Végeztesen átvizsgálást és karbantartást.
Hibás meghajtórendszer	Végeztesen átvizsgálást és karbantartást.	
A motor gyorsan megáll A motor fordulatszáma nem nő	Elégtelen bemelegítés	Végezze el a bemelegítést
	A fojtószelep "ZÁRVA" van, pedig a motor már bemelegedett.	Állítsa "NYITVA" állásba
	Eltömődött üzemanyagszűrő	Tisztítsa meg
	Szennyezett vagy eltömődött légszűrő	Tisztítsa meg
	Hibás karburátor	Végeztesen átvizsgálást és karbantartást.
	Hibás meghajtórendszer	Végeztesen átvizsgálást és karbantartást.
A vágókés nem forog ↓ Azonnal állítsa le a motort	Meglazult a vágókést rögzítő csavaranya	Húzza meg
	Tüskék akadtak a vágókésbe vagy a szétszóródást megelőző védőbe.	Távolítsa el az idegen anyagot
	Hibás meghajtórendszer	Végeztesen átvizsgálást és karbantartást.
A főegység szokatlanul vibrál ↓ Azonnal állítsa le a motort	Törött, hajlott vagy elhasználódott a vágókés	Cserélje ki a vágókést
	Meglazult a vágókést rögzítő csavaranya	Húzza meg
	Eltolódott a vágókés domború része és a vágókéstámasztó szerelék.	Rögzítse megfelelően
	Hibás meghajtórendszer	Végeztesen átvizsgálást és karbantartást.
A vágókés nem áll meg azonnal ↓ Azonnal állítsa le a motort	Magas alapjáratú fordulatszám	Állítsa be
	Kiakadt a gázkar vezetéke	Rögzítse megfelelően
	Hibás meghajtórendszer	Végeztesen átvizsgálást és karbantartást.
A motor nem áll le ↓ Alapjáraton járassa a motort, és a fojtószelepet állítsa ZÁRVA állásba	Kiakadt a csatlakozó	Rögzítse megfelelően
	Hibás elektromos rendszer	Végeztesen átvizsgálást és karbantartást.

Amikor a motor nem indul be a bemelegítés után:

Ha nem talál hibát az elemek ellenőrzésekor, nyissa ki a gázt 1/3 részre, és indítsa be a motort.

Ďakujeme, že ste si zakúpili benzínový krovínorez značky MAKITA. S potešením vám odporúčame benzínový krovínorez značky MAKITA, výrobok, ktorý je výsledkom dlhodobého programu vývoja a mnohých rokov znalostí a skúseností.

Prečítajte si prosím túto brožúru, ktorá sa podrobne odvoláva na rôzne body, ktoré demonštrujú vynikajúci výkon výrobku. Pomôže vám od vášho benzínového krovínorezu značky MAKITA dosiahnuť najlepšie možné výsledky.



Obsah	Strana
Symboly.....	140
Bezpečnostné pokyny .....	141
Technické údaje.....	145
Označenie súčastí.....	147
Montáž rukoväte.....	148
Montáž chrániča .....	149
Montáž sečnej čepele alebo nylonovej sečnej hlavy... ..	150
Pred začatím prevádzky .....	151
Správna manipulácia so strojom .....	153
Body v rámci prevádzky a zastavenie stroja .....	153
Ostrenie sečného náradia .....	155
Pokyny ohľadne vykonávania servisu .....	157
Uskladnenie.....	160

## SYMBOLY

Počas čítania návodu na obsluhu sa stretnete s nasledujúcimi symbolmi.

	Prečítajte si návod na obsluhu a dodržiavajte výstražné a bezpečnostné opatrenia!		Zabráňte tomu, aby sa v oblasti používania náradia vyskytovali osoby alebo zvieratá!
	Venujte veľkú pozornosť a dávajte pozor!		Používajte ochrannú helmu, chrániče zraku a sluchu!
	Zakázané!		Maximálne prípustné otáčky náradia
	Dodržiavajte vzdialenosť!		Palivo (benzín)
	Nebezpečenstvo odlietavajúcich predmetov!		Manuálne spustenie motora
	Nefajčite!		Núdzové zastavenie
	Nemanipulujte s otvoreným ohňom!		Prvá pomoc
	Je nevyhnutné používať ochranné rukavice!		ZAP./ŠTART
	Používajte pevnú obuv s nekézavou podrážkou. Odporúča sa používanie bezpečnostnej obuvi s oceľovou špičkou!		VYP/STOP
	Spätný náraz!		

## BEZPEČNOSTNÉ POKYNY

### Všeobecné pokyny

- Aby ste sa oboznámili s manipuláciou so zariadením, prečítajte si návod na obsluhu. Nedostatočne informovaní užívatelia pri nesprávnej manipulácii vystavujú nebezpečenstvu seba aj ostatných.
- Zariadenie sa odporúča požičiavať iba osobám s dokázateľnými skúsenosťami. Vždy odovzdajte aj návod na obsluhu.
- Prvoužívateľia by mali predajcu požiadať o základné pokyny, aby sa oboznámili s manipuláciou s krovínorezmi.
- Deťom a osobám mladším ako 18 rokov nie je povolené obsluhovať toto zariadenie. Aj napriek tomu, osoby staršie ako 16 rokov smú náradie používať, a to iba na účel zaškolenia, pričom činnosť vykonávajú pod dozorom kvalifikovaného školiteľa.
- Zariadenie používajte s maximálnou opatrnosťou a pozornosťou.
- So zariadením pracujte, len ak ste v dobrom fyzickom stave. Všetky úkony vykonávajte pokojne a opatrne. Používateľ musí prevziať zodpovednosť za ostatných.
- Toto zariadenie nikdy nepoužívajte po požití alkoholu alebo liekov, alebo pokiaľ sa cítite unavení alebo chorí.
- Národné nariadenia môžu obmedzovať používanie tohto zariadenia.

### Určené použitie zariadenia

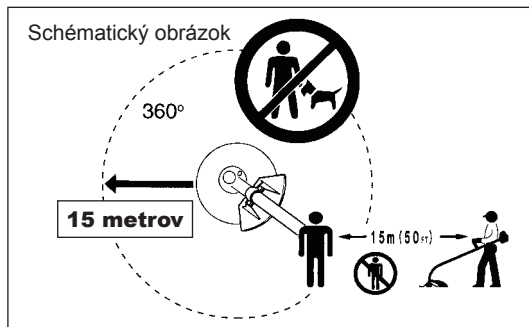
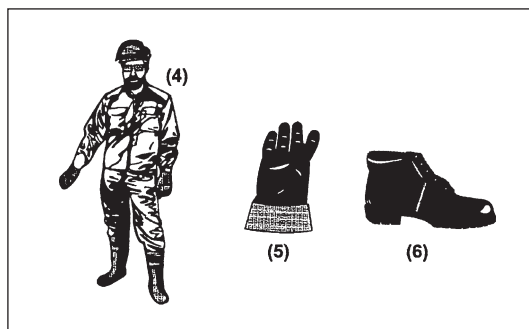
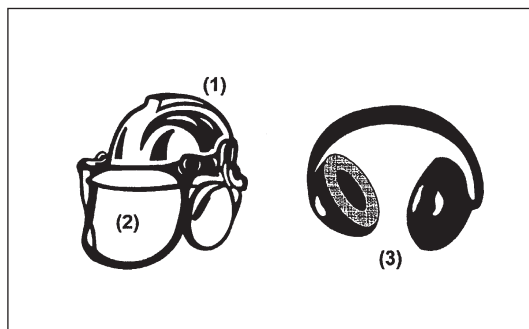
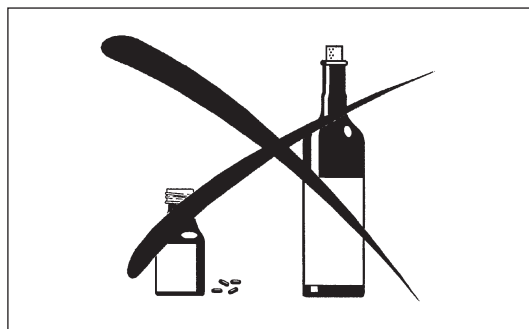
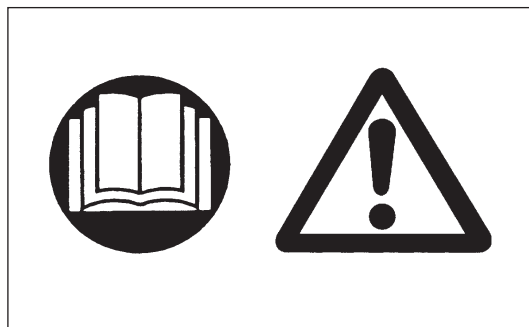
- Toto zariadenie je určené len na kosenie trávy, buriny, krovia a podrastu. Zariadenie by sa nemalo používať na žiadny iný účel, ako je úprava okrajov, sekanie živých plotov, pretože by mohlo dôjsť k úrazu.

### Osobné ochranné pomôcky

- Používaný odev by mal byť funkčný a vhodný, t.j. mal by byť utiahnutý, avšak nemal by spôsobovať blokovanie pohybu. Nenoste šperky ani oblečenie, ktoré by sa mohli zamotať do kríkov alebo krovín.
- Aby nedošlo k poraneniu hlavy, očí, rúk alebo nôh, ako aj na ochranu sluchu je nevyhnutné pri práci so zariadením používať nasledujúce ochranné pomôcky a ochranné odevy.
- Ak existuje riziko výskytu padajúcich predmetov, vždy používajte prilbu. Ochranná prilba (1) sa musí pravidelne kontrolovať, či nie je poškodená a musí sa vymeniť najneskôr po 5 rokoch. Používajte len schválené ochranné prilby.
- Chránidlo (2) prilby (alebo alternatívne okuliare) chráni tvár pred letiacimi úlomkami alebo kameňmi. Počas prevádzky vždy používajte ochranné okuliare alebo chránidlo s cieľom zabrániť poraneniám očí.
- Používajte primerané vybavenie na ochranu pred hlukom (kľapky na uši (3), vložky do uší a pod.), a to aby ste zabránili poškodeniu sluchu.
- Pracovné kombinézy (4) chránia pred letiacimi kameňmi a úlomkami. Vrelo odporúčame, aby používatelia používali pracovné kombinézy.
- Rukavice (5) sú súčasťou predpísaných prostriedkov a počas vykonávania práce sa musia vždy používať.
- Pri práci so zariadením vždy používajte pevnú obuv (6) s nekĺzavou podrážkou. Takáto obuv chráni pred poraneniami a zabezpečuje dobrý postoj.

### Spustenie krovínorezu

- Presvedčte sa, že v rámci pracovného dosahu 15 metrov (50 stôp) sa nenachádzajú deti alebo ľudia, a taktiež dávajte pozor na zvieratá nachádzajúce sa v okolí pracoviska.
- Pred použitím vždy skontrolujte, že zariadenie je na prevádzku bezpečné. Skontrolujte bezpečnosť sečného náradia, jednoduché ovládanie páčky škrtiacej klapky a skontrolujte správnosť fungovania poistnej páčky škrtiacej klapky.
- Otáčanie sečného náradia počas voľnobehu je zakázané. Ak máte pochybnosti, o nastavenie požiadajte predajcu. Zabezpečte, aby boli rukoväti čisté a suché a skontrolujte funkciu prepínača na zapnutie/vypnutie.

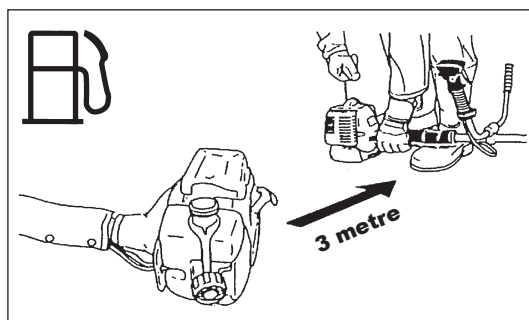
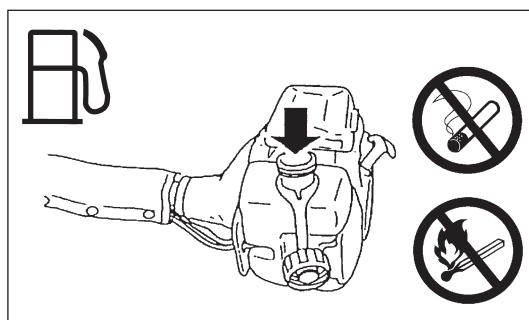
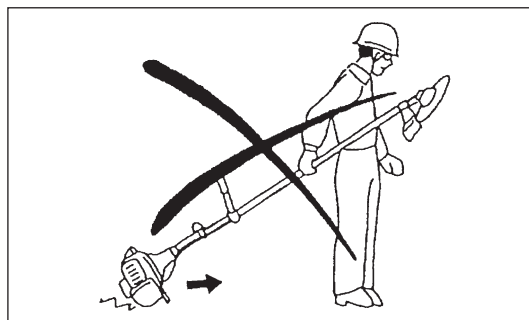
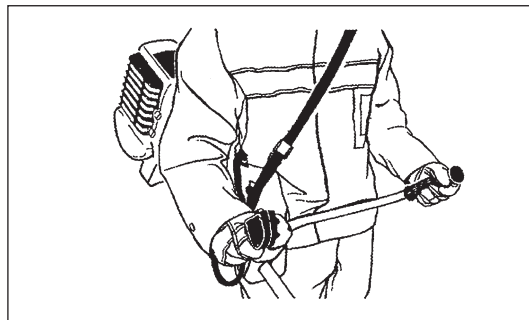
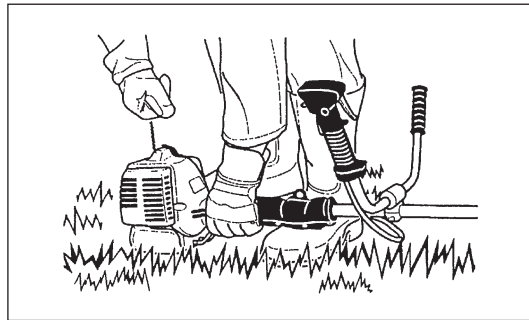


Krovinorez naštartujte jedine podľa pokynov.

- Nepoužívajte žiadny iný spôsob naštartovania motora!
- Krovinorez a náradie používajte iba na uvedené aplikácie.
- Motor spustíte jedine po kompletnom zmontovaní. Prevádzka zariadenia je dovolená jedine po namontovaní všetkých patričných doplnkov a príslušenstva!
- Pred spustením sa presvedčte, že sa sečné náradie nedotýka tvrdých predmetov, ako sú vetvy, kamene atď., pretože po naštartovaní dôjde k otáčaniu sečného náradia.
- V prípade akéhokoľvek problému s motorom je nutné motor okamžite vypnúť.
- Pokiaľ sečné náradie narazí na kameň alebo iný tvrdý predmet, okamžite vypnite motor a skontrolujte sečné náradie.
- V pravidelných krátkych intervaloch kontrolujte sečné náradie z pohľadu poškodenia (zistenie vlasových trhlín pomocou zvukového testu poklepaním).
- Ak bude zariadenie vystavené silnému nárazu alebo ak spadne, pred pokračovaním práce skontrolujte stav. Palivový systém skontrolujte z pohľadu unikania a ovládacie prvky a bezpečnostné zariadenia skontrolujte z pohľadu vyskytnuvších sa chýb. V prípade výskytu poškodenia alebo v prípade pochybností požiadajte naše autorizované servisné stredisko o vykonanie kontroly a opravy.
- Zariadenie prevádzkujte jedine s pripojeným strojom na plece, ktorý je vhodne nastavený už pred uvedením krovinorezu do činnosti. Je dôležité nastaviť stroj na plece podľa telesných rozmerov obsluhy, a to aby sa zabránilo únave počas používania. Počas používania nedržte sečné náradie iba jednou rukou.
- Počas prevádzky krovinorez vždy držte oboma rukami. Vždy zachovávajte bezpečný postoj.
- Zariadenie prevádzkujte takým spôsobom, aby ste zabránili vdychnutiu výfukových plynov. Motor nikdy nespúšťajte v uzatvorených miestnostiach (existuje riziko otravy plynom). Oxid uhoľnatý je plynom bez zápachu.
- Motor vypnite pokiaľ odpočívate a pokiaľ nechávate zariadenie bez dozoru; zariadenie umiestnite na bezpečné miesto, aby ste zabránili riziku ohrozenia iných osôb a poškodeniu strojného zariadenia.
- Horúci krovinorez nikdy nekladajte na suchú trávu ani na žiadny iný horľavý materiál.
- Pred spustením motora vždy na zariadenie nainštalujte schválený chránič sečného náradia. V opačnom prípade môže kontakt so sečným náradím spôsobiť vážne poranenie.
- Všetky ochranné zariadenia a chrániče dodávané so strojným zariadením sa musia počas prevádzky používať.
- Motor nikdy neprevádzkujte v prípade chybného tmiča výfuku.
- Počas prepravy motor vypnite.
- Pri preprave zariadenia vždy na sečnú čepeľ namontujte kryt.
- Aby sa zabránilo unikaniu paliva počas prepravy, je potrebné zabezpečiť bezpečnú polohu zariadenia.
- Počas prepravy zariadenia vždy úplne vyprázdňte palivovú nádrž.
- Pri skladaní zariadenia z nákladného vozidla nikdy motor nenechajte spadnúť na zem, pretože môže dôjsť k vážnemu poškodeniu palivovej nádrže.
- Okrem núdzových prípadov nikdy zariadenie nenechajte spadnúť na zem, ani ho nehádzajte na zem, pretože by mohlo dôjsť k vážnemu poškodeniu zariadenia.
- Počas prenášania zariadenia vždy celé zariadenie zdvihnite zo zeme. Ťahanie palivovej nádrže je veľmi nebezpečné a spôsobí jej poškodenie a unikanie paliva s možnosťou vzniku požiaru.

## Plnenie paliva

- Počas plnenia paliva vypnite motor, nepribližujte sa k otvoreným plameňom a nefajčíte.
- Zabráňte styku pokožky s výrobkami obsahujúcimi minerálny olej. Palivové výpary nevdychujte. Pri doplňaní paliva vždy používajte ochranné rukavice. Ochranný odev vymieňajte a čistite v pravidelných intervaloch.
- Dávajte pozor, aby ste nerozliali palivo alebo olej a predišli tak kontaminácii pôdy (ochrana životného prostredia). Po rozliatí paliva okamžite očistite krovinorez.
- Zabráňte akémukoľvek kontaktu paliva s vaším odevom. Pokiaľ došlo k rozliatiu paliva na odev, odev okamžite vymeňte (aby ste zabránili vznieteniu odevu).
- Uzáver palivovej nádrže kontrolujte v pravidelných intervaloch, aby ste sa presvedčili, že je bezpečne utiahnutý a neuniká cez neho palivo.
- Uzáver palivovej nádrže dôkladne utiahnite. Ak chcete naštartovať motor, zmeňte miesto (aspoň 3 metre od miesta plnenia paliva).
- Nikdy nedopĺňajte palivo v uzatvorených miestnostiach. Palivové výpary sa hromadia na úrovni zeme (riziko výbuchu).
- Palivo prepravujte a uskladňujte jedine v schválených typoch nádob. Zabezpečte, aby sa k uskladnenému palivu nedostali deti.



## Spôsob prevádzky

- Zariadenie používajte jedine pri dobrom osvetlení a viditeľnosti. Počas zimného obdobia dávajte pozor na klzké alebo mokré plochy, ľad a sneh (riziko pošmyknutia). Vždy zachovávajte bezpečný postoj.
- Nikdy nesekejte nad výškou pliec.
- Nikdy nestojte na rebríku.
- Nikdy nelezte na stromy s cieľom vykonať činnosť sekania.
- Nikdy nepracujte na nestabilných povrchoch.
- Z pracovného dosahu odstráňte piesok, kamene, klince atď. Cudzorodé súčasti môžu poškodiť sečné náradie a môžu spôsobiť riziko spätného nárazu.
- Pred vykonávaním sekania musí sečné náradie dosiahnuť plné prevádzkové otáčky.
- Ak sa používajú kovové čepele, mávajte rovnomerne náradím polkruhovým pohybom sprava doľava, ako pri práci s kosou. Ak sa medzi sečné náradie a chránič zachytí tráva alebo vetvičky, pred vyčistením vždy zariadenie zastavte. V opačnom prípade môže náhodné otáčanie čepele spôsobiť vážne poranenie.
- Aby ste predišli strate ovládania v dôsledku únavy, robte si prestávky. Odporúčame urobiť si 10 až 20-minútovú prestávku každú hodinu.

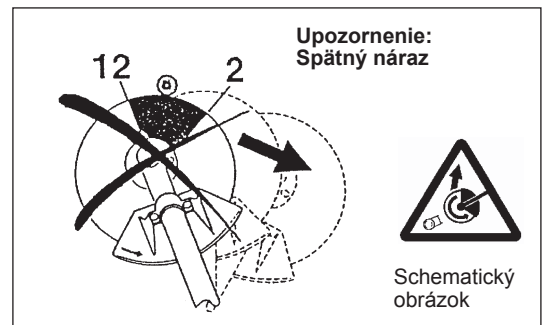


## Sečné náradie

- Na vykonávanú prácu používajte správne sečné náradie. Nylonové sečné hlavy (hlavy strunovej kosačky) sú vhodné na kosenie trávy trávnikov. Kovové čepele sú vhodné na sekание buriny, vysokej trávy, krovia, kry, podrast, húštie a pod. Nikdy nepoužívajte iné čepele, vrátane kovových viackusových otáčajúcich sa reťazových ani cepových čepelí. Výsledkom môže byť vážne zranenie.
- Ak sa používajú kovové čepele, vyhňte sa „spätnému nárazu“ a vždy sa pripravte na náhodný spätný náraz. Pozrite si časť „Spätný náraz“ a „Zabránenie spätnému nárazu“.

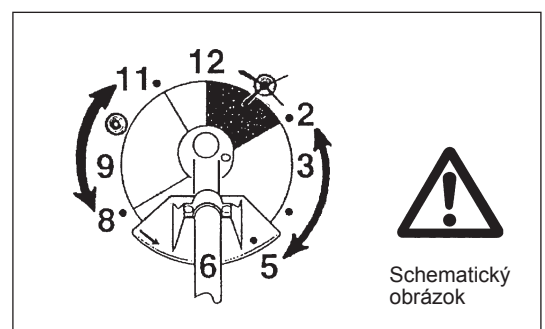
## Spätný náraz (tlak čepele)

- Spätný náraz (tlak čepele) je náhla reakcia na zachytenú alebo uviaznutú sečnú čepeľ. Ak k nemu dôjde, zariadenie je hodené nabok alebo smerom k obsluhu veľkou silou a môže spôsobiť vážne poranenie.
- Spätný náraz sa vyskytuje hlavne pri používaní čepele v segmente 12 až 2 hodiny v prípade tvrdých materiálov, krovín a stromov hrubších ako 3 cm.
- Aby ste predišli spätnému nárazu:
  - Používajte segment v rozsahu 8 až 11 hodín.
  - Nikdy nepoužívajte segment v rozsahu 12 až 2 hodiny.
  - Nikdy nepoužívajte segment v rozsahu 11 až 12 hodín a v rozsahu 2 až 5 hodín, ak nie je obsluha dobre zaškolená a skúsená, pričom túto činnosť vykonáva na svoje vlastné riziko.
  - Nikdy nepoužívajte sečné čepele v blízkosti tvrdých predmetov, ako je opltenie, steny, kmene stromov a kamene.
  - Nikdy nepoužívajte sečné čepele vo vertikálnom smere na také činnosti, ako je úprava okrajov a sekание živých plotov.



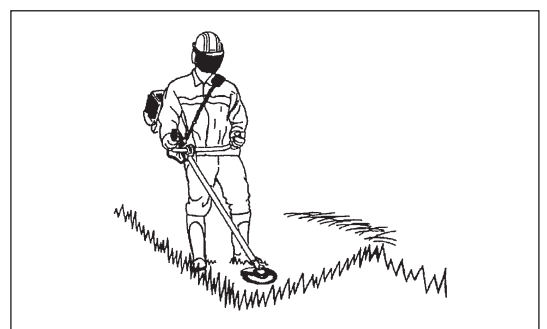
## Vibrácie

- Osoby s oslabeným obehom vystavené nadmerným vibráciám môžu zaznamenať poranenie ciev alebo nervového systému. Vibrácie môžu spôsobiť nasledujúce príznaky na prstoch, rukách alebo zápästiach: „Nemožnosť pohybu“ (zncitlivenie), trpnutie, bolesť, pocit pichania, zmena sfarbenia pokožky alebo zmena pokožky. Pri ktoromkoľvek z týchto príznakov navštívte lekára!
- Aby ste znížili riziko „choroby bielych prstov“, počas prevádzky udržiavajte ruky v teple a vykonávajte správnu údržbu zariadenia a príslušenstva.



## Pokyny ohľadne údržby

- Servis zariadenia zverte len autorizovanému servisnému centru a vždy používajte len originálne náhradné diely. Nesprávne vykonanie opravy a slabá údržba môžu skrátiť životnosť zariadenia a zvýšiť riziko úrazov.
- Stav krovínorezu, a to hlavne sečného náradia, ochranných zariadení a taktiež postroja na plece sa musí pred začatím práce skontrolovať. Zvláštnu pozornosť treba venovať sečným čepeliam, ktoré musia byť správne naoštrené.
- Počas výmeny alebo ostrenia sečného náradia, ako aj počas čistenia krovínorezu alebo sečného náradia motor vypnite a odpojte konektor zapalovacej sviečky.



## Poškodené sečné náradie nikdy nenarovnávejte ani nezvárajte.

- Chráňte životné prostredie. Vyhnite sa nepotrebnému používaniu škrtiacej klapky, čím dosiahnete menej znečistenia a emisií hluku. Karburátor správne nastavte.
- Zariadenie čistite v pravidelných intervaloch a skontrolujte, či sú všetky skrutky a matice dobre utiahnuté.
- Servis zariadenia nevykonávajte v blízkosti otvorených plameňov, taktiež v ich blízkosti stroj neuskładňujte.
- Zariadenie vždy uskladňujte v uzamknutých miestnostiach a s vyprázdnenou palivovou nádržou.
- Pri čistení, vykonávaní servisu a uskladnení zariadenia vždy na sečnú čepeľ namontujte kryt.



Dodržiavajte príslušné pokyny, ktoré súvisia s prevenciou voči nehodám a ktoré boli vydané príslušnými obchodnými združeniami a poisťňmi spoločnosťami.

Na zariadení nevykonávajte žiadne úpravy, pretože môžete takto ohroziť svoju bezpečnosť.

Vykonávanie činností súvisiacich s údržbou alebo opravou je obmedzené na tie aktivity, ktoré sú popísané v návode na obsluhu. Všetky ostatné činnosti smie vykonávať iba oprávnený servisný zástupca. Používajte jedine originálne náhradné diely a príslušenstvo uvedené do obehu a dodávané spoločnosťou MAKITA.

Používanie neschváleného príslušenstva a náradia predstavuje zvýšené riziko nehôd.

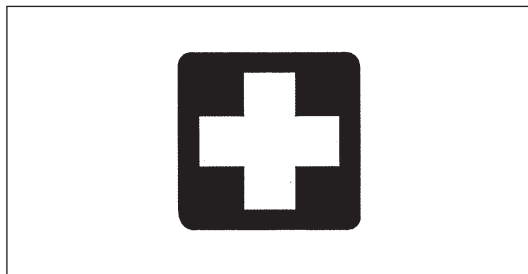
Spoločnosť MAKITA nepreberie žiadnu zodpovednosť za nehody alebo škody spôsobené používaním neschváleného sečného náradia a upevňovacích zariadení sečného náradia alebo príslušenstva.

## Prvá pomoc

Pre prípad nehody zabezpečte, aby bola v dosahu miesta vykonávania činnosti kosenia lekárnička prvej pomoci. Všetky použité položky z lekárničky ihneď doplňte.

## Pri žiadosti o poskytnutie pomoci poskytnite nasledujúce informácie:

- Miesto úrazu
- Čo sa stalo
- Počet zranených osôb
- Druh zranení
- Vaše meno



---

Len pre krajiny Európy

## Vyhlásenie o zhode so smernicami Európskeho spoločenstva

**Naša spoločnosť Makita, ako zodpovedný výrobca vyhlasuje, že nasledujúce strojné zariadenie(a) značky Makita:**

Označenie zariadenia: Benzínový krovinorez

Číslo modelu / Typ: EBH252U, EBH253U, EBH252L, EBH253L

Technické špecifikácie: pozrite si tabuľku „TECHNICKÉ ÚDAJE“

predstavuje výrobok sériovej výroby

**a vyhovuje nasledujúcim európskym smerniciam:**

2000/14/ES, 2006/42/ES

a je vyrobené podľa nasledujúcich noriem a štandardizovaných dokumentov:

EN ISO 11806-1

Technickú dokumentáciu archivuje:

Makita International Europe Ltd., Technical Department,

Michigan Drive, Tongwell, Milton Keynes, Bucks MK15 8JD, Anglicko

Postup posúdenia zhody, ako vyžaduje smernica 2000/14/ES bol zrealizovaný podľa prílohy V.

Meraná úroveň akustického výkonu: 109,3 dB

Garantovaná úroveň akustického výkonu: 111 dB

19. 12. 2008



Tomoyasu Kato  
Riaditeľ  
Makita Corporation  
3-11-8, Sumiyoshi-cho,  
Anjo, Aichi, JAPAN



## TECHNICKÉ ÚDAJE EBH252U, EBH252L

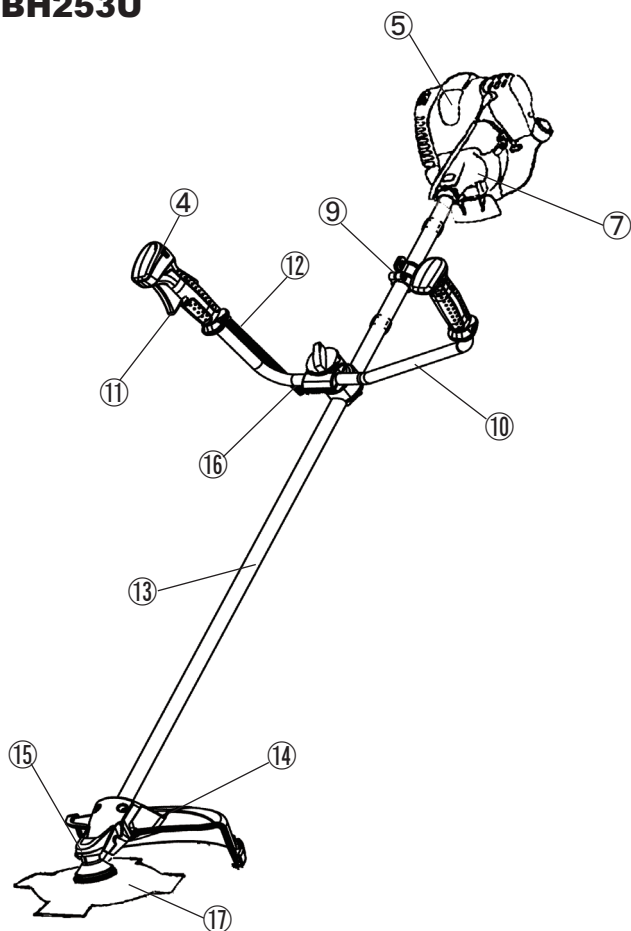
Model		EBH252U	EBH252L		
		Cyklistická rukoväť	Uzavretá rukoväť		
Rozmery: dĺžka x šírka x výška (bez sečnej čepele)	mm	1770 x 620 x 490	1770 x 330 x 275		
Hmotnosť (bez plastového chrániča a sečnej čepele)	kg	5,7	5,3		
Objem (palivovej nádrže)	l	0,5			
Objem (olejovej nádrže)	l	0,08			
Zdvihový objem motora	cm <sup>3</sup>	24,5			
Maximálny výkon motora	kW	0,71 pri 7000 min <sup>-1</sup>			
Otáčky motora pri odporúčaných maximálnych otáčkach hriadeľa	min <sup>-1</sup>	8500			
Maximálne otáčky hriadeľa (príslušné)	min <sup>-1</sup>	6500			
Maximálna spotreba paliva	kg/h	0,33			
Maximálna špecifická spotreba paliva	g/kWh	408			
Otáčky pri voľnobehu	min <sup>-1</sup>	3000			
Karburátor	typ	WALBRO WYL			
Systém zapaľovania	typ	Zapaľovanie v pevnej fáze			
Zapaľovacia sviečka	typ	NGK CMR4A			
Medzera medzi elektródami	mm	0,7 - 0,8			
Vibrácie podľa normy ISO 22867	Pravá rukoväť (Pravé držadlo)	$a_{hv\ eq}$	m/s <sup>2</sup>	2,5	5,0
		Neurčitosť K	m/s <sup>2</sup>	0,58	1,23
	Ľavá rukoväť (Predné držadlo)	$a_{hv\ eq}$	m/s <sup>2</sup>	2,9	4,3
		Neurčitosť K	m/s <sup>2</sup>	0,37	0,36
Priemerná úroveň akustického tlaku podľa normy ISO 22868	$L_{PA\ eq}$	dB(A)	97,1		
	Neurčitosť K	dB(A)	2,4		
Priemerná úroveň akustického výkonu podľa normy ISO 22868	$L_{WA\ eq}$	dB(A)	106,3		
	Neurčitosť K	dB(A)	1,2		
Palivový		Automobilový benzín			
Motorový olej		Olej SAE 10W-30 podľa klasifikácie API, trieda SF alebo vyššia (4 taktný automobilový motor)			
Sečné náradie (priemer sečnej čepele)	mm	230			
Prevodový pomer		14/19			

## TECHNICKÉ ÚDAJE EBH253U, EBH253L

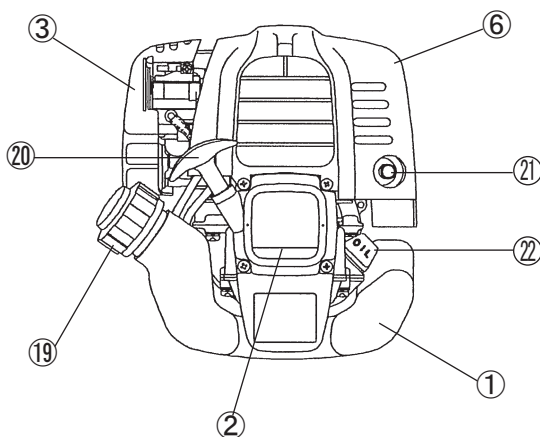
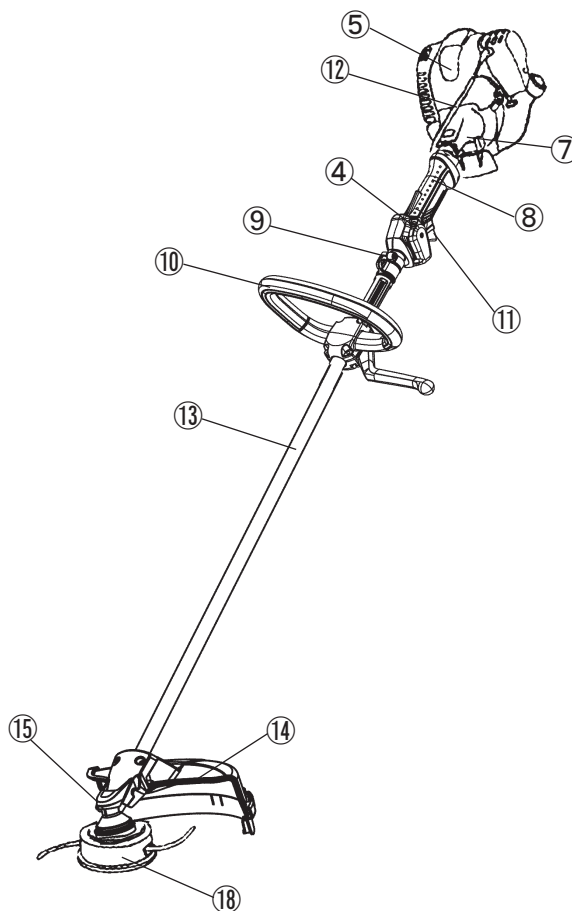
Model		EBH253U		EBH253L	
		Cyklistická rukoväť		Uzavretá rukoväť	
Rozmery: dĺžka x šírka x výška (bez sečnej čepele)		mm	1770 x 620 x 490		1770 x 330 x 275
Hmotnosť (bez plastového chrániča a sečnej čepele)		kg	5,9		5,4
Objem (palivovej nádrže)		l	0,5		
Objem (olejovej nádrže)		l	0,08		
Zdvihový objem motora		cm <sup>3</sup>	24,5		
Maximálny výkon motora		kW	0,71 pri 7000 min <sup>-1</sup>		
Otáčky motora pri odporúčaných maximálnych otáčkach hriadeľa		min <sup>-1</sup>	8500		
Maximálne otáčky hriadeľa (príslušné)		min <sup>-1</sup>	6500		
Maximálna spotreba paliva		kg/h	0,33		
Maximálna špecifická spotreba paliva		g/kWh	408		
Otáčky pri voľnobehu		min <sup>-1</sup>	3000		
Karburátor		typ	WALBRO WYL		
Systém zapaľovania		typ	Zapaľovanie v pevnej fáze		
Zapaľovacia sviečka		typ	NGK CMR4A		
Medzera medzi elektródami		mm	0,7 - 0,8		
Vibrácie podľa normy ISO 22867	Pravá rukoväť (Pravé držadlo)	$a_{hv\ eq}$	m/s <sup>2</sup>	2,6	5,3
		Neurčitost' K	m/s <sup>2</sup>	0,83	1,22
	Ľavá rukoväť (Predné držadlo)	$a_{hv\ eq}$	m/s <sup>2</sup>	2,3	4,4
		Neurčitost' K	m/s <sup>2</sup>	0,52	0,21
Priemerná úroveň akustického tlaku podľa normy ISO 22868		$L_{PA\ eq}$	dB(A)	97,1	
		Neurčitost' K	dB(A)	2,4	
Priemerná úroveň akustického výkonu podľa normy ISO 22868		$L_{WA\ eq}$	dB(A)	106,3	
		Neurčitost' K	dB(A)	1,2	
Palivový			Automobilový benzín		
Motorový olej			Olej SAE 10W-30 podľa klasifikácie API, trieda SF alebo vyššia (4 taktný automobilový motor)		
Sečné náradie (priemer sečnej čepele)		mm	230		
Prevodový pomer			14/19		

## OZNAČENIE SÚČASTÍ

**EBH252U  
EBH253U**



**EBH252L  
EBH253L**



SK	OZNAČENIE SÚČASTÍ
1	Palivová nádrž
2	Štartér s prevíjaním
3	Vzduchový filter
4	Prepínač I-O (zap./vyp.)
5	Zapaľovacia sviečka
6	Tlmič výfuku
7	Skriňa spojky
8	Pravé držadlo
9	Záves
10	Rukoväť
11	Ovládacia páčka
12	Ovládací kábel
13	Držadlo
14	Chránič (Chránič sečného náradia)
15	Prevodovka/Skriňa hlavy
16	Držiak rukoväte
17	Sečná čepeľ
18	Nylonová sečná hlava
19	Uzáver plniaceho hrdla
20	Gombík spúšťača
21	Výfuk
22	Ukazovateľ hladiny oleja

## MONTÁŽ RUKOVÄTE

UPOZORNENIE: Pred vykonávaním akejkoľvek činnosti na benzínovom krovínoreze vždy zastavte motor a zo zapalovacej sviečky vyťahnite konektor zapalovacej sviečky. Vždy používajte ochranné rukavice!

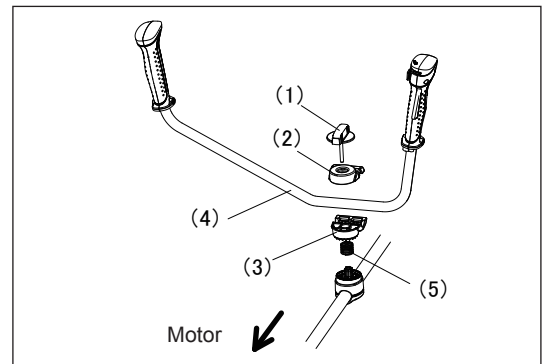
UPOZORNENIE: Benzínový krovínorez naštartujte jedine po jeho kompletnom zmontovaní.



### Pres stroje s modelmi cyklistickej rukoväte

- Uvoľnite gombík (1).
- Rukoväť (4) umiestnite medzi svorku rukoväte (2) a držiak rukoväte (3).
- Rukoväť (4) nastavte do takého uhla, ktorý zabezpečuje pohodlnú pracovnú polohu a následne zaistite pevným utiahnutím gombíka, ktorý sa uťahuje ručne (1).

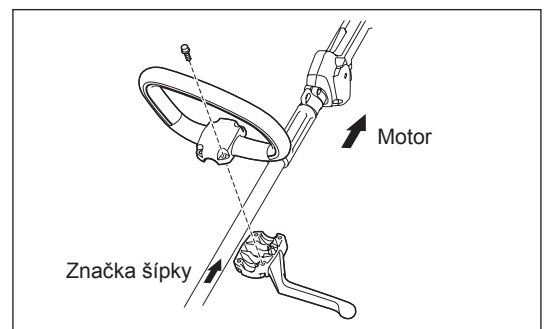
UPOZORNENIE: Nezabudnite namontovať pružinu (5).



### Pre stroje s uzavretou rukoväťou

- Pre ochranu obsluhy namontujte zábranu na ľavú stranu stroja spolu s rukoväťou.
- Zostavu zábrany/držadla namontujte medzi rozperu a značku šípky.

VÝSTRAHA: Rozperu neodstraňujte ani nestláčajte. Rozpera zachováva určitú vzdialenosť medzi oboma rukami. Nastavenie zostavy zábrany/držadla blízko druhého držadla a za dĺžku rozpery môže mať za následok stratu ovládania a vážne osobné poranenie.



## MONTÁŽ CHRÁNIČA

Aby ste dodržali vzťahujúce sa bezpečnostné opatrenia, musia sa používať jedine kombinácie náradia/chrániča uvedené v tabuľke.



### Používajte jedine originálne sečné čepele alebo nylonovú sečnú hlavu značky MAKITA.

- Sečná čepeľ musí byť dobre vyhladená a nesmie obsahovať žiadne praskliny alebo zlomené miesta. Pokiaľ čepeľ počas prevádzky narazí na kameň, okamžite zastavte motor a čepeľ skontrolujte.
- Po každých troch hodinách prevádzky sečnú čepeľ vyleštite alebo vymeňte.
- Pokiaľ nylonová sečná hlava počas prevádzky narazí na kameň, okamžite zastavte motor a nylonovú sečnú hlavu skontrolujte.

**UPOZORNENIE:** Vždy musí byť nainštalovaný správny chránič, a to kvôli vašej vlastnej bezpečnosti a aby sa zabezpečila zhoda s nariadeniami týkajúcimi sa prevencie úrazov. Prevádzkovanie zariadenia bez nainštalovaných chráničov je zakázané. Vonkajší priemer sečnej čepele musí byť 230 mm (9-1/16"). Nikdy nepoužívajte čepele, ktorých vonkajší priemer prevyšuje hodnotu 230 mm (9-1/16").

- Počas používania kovovej čepele pripevnite chránič (3) ku svorku (2) pomocou dvoch skrutiek M6 x 30 (1).

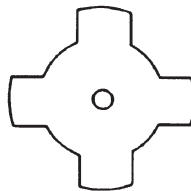
**POZNÁMKA:** Pravú a ľavú skrutku utiahnite rovnomerne tak, aby medzera medzi svorkou (2) a chráničom (3) bola rovnaká. V opačnom prípade nemusí chránič fungovať tak, ako je to uvedené.

- V prípade používania zariadenia na odseknutie nylonovej struny namontujte na chránič kovovej čepele (3) chránič zariadenia na odseknutie nylonovej struny (4).
- Chránič zariadenia na odseknutie nylonovej struny (4) namontujte zasúvaním na miesto z boku chrániča kovovej čepele (3) ako je to znázornené.
- Posuňte pásek pridržiavajúci zariadením na odseknutie, ktorý odsekne nylonovú strunu na chránič zariadenia na odseknutie nylonovej struny (4).

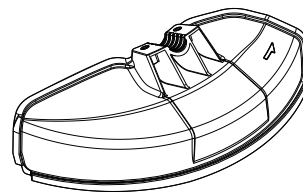
**UPOZORNENIE:** Chránič zariadenia na odseknutie nylonovej struny (4) zatlačte až do jeho úplného zasunutia. Dávajte pozor, aby ste sa o zariadenie na odseknutie nylonovej struny neporanili.

- Pokiaľ chcete demontovať chránič zariadenia na odseknutie nylonovej struny (4), do drážky na chrániči kovovej čepele zasuňte šesťhranný kľúč (3), zatlačte ho dovnútra a súčasne posuňte chránič zariadenia na odseknutie nylonovej struny (4).

Kovová čepeľ



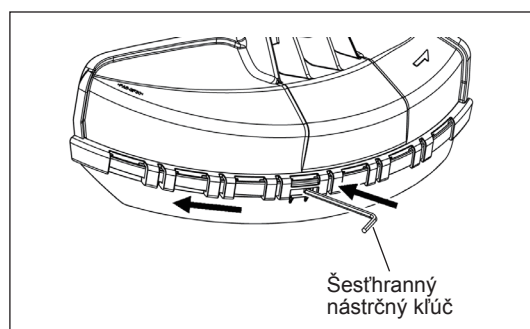
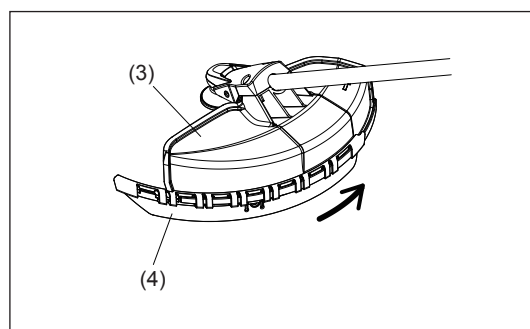
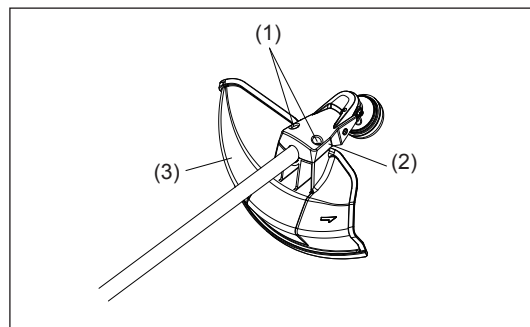
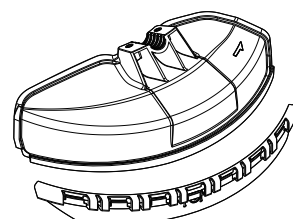
Chránič pre kovové čepele



Nylonová sečná hlava



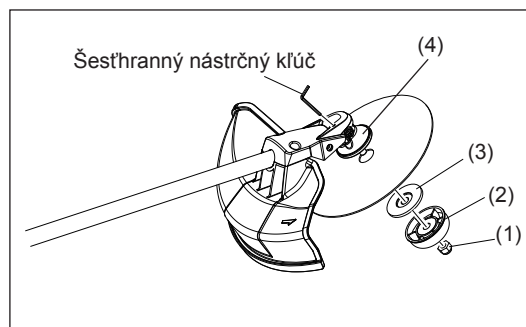
Chránič pre nylonovú sečnú hlavu



## MONTÁŽ SEČNEJ ČEPELE ALEBO NYLONOVEJ SEČNEJ HLAVY

Po otočení stroja naopak dokážete vymeniť sečnú čepeľ alebo nylonovú sečnú hlavu jednoduchým spôsobom.

- Šesťhranný nástrčný kľúč zasuňte cez otvor v prevodovke a otáčajte podložnou podložkou (4), dokiaľ sa nezablokuje so šesťhranným nástrčným kľúčom.
- Pomocou nástrčného kľúča uvoľnite maticu (1) (ľavotočivý závit) a odskrutkujte maticu (1), misku (2) a upínaciu podložku (3).

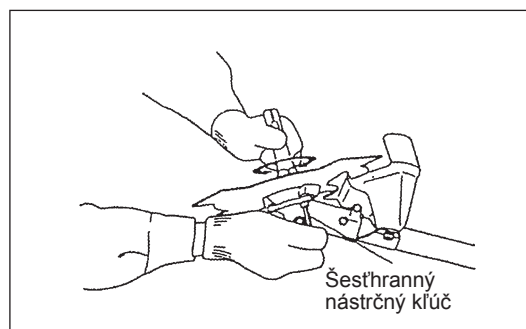


### Montáž sečnej čepele pomocou šesťhranného nástrčného kľúča osadeného stále na mieste

- Namontujte sečnú čepeľ na tyč tak, aby vodiaci prvok podložnej podložky (4) zapadol do otvoru pre hriadeľa na sečnej čepeľi. Nainštalujte upínaciu podložku (3), misku (2) a zaistíte sečnú čepeľ pomocou matice (1). [Uťahovací moment: 13 - 23 N-m]

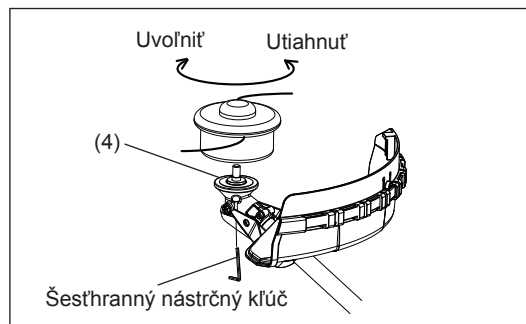
POZNÁMKA: Pri manipulácii so sečnou čepeľou vždy používajte rukavice.

POZNÁMKA: Upevňovacia matica sečnej čepele (spolu s pružinovou podložkou) predstavuje spotrebný tovar. Pokiaľ na pružinovej podložke zbadáte príznaky opotrebovania alebo deformácie, maticu vymeňte.

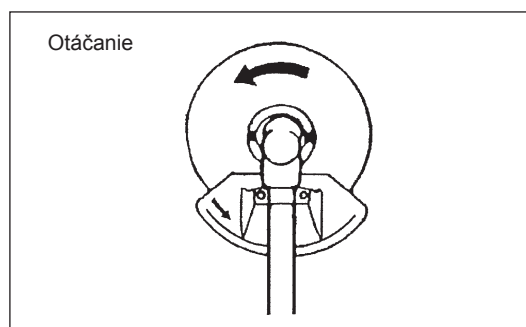


### Montáž nylonovej sečnej hlavy

- Upínacia podložka (3), miska (2) a matica (1) nie sú potrebné pre namontovanie nylonovej sečnej hlavy. Nylonová sečná hlava by mala byť nasadená na hornú časť podložnej podložky (4).
- Šesťhranný nástrčný kľúč zasuňte cez otvor v prevodovke a otáčajte podložnou podložkou (4), dokiaľ sa nezablokuje so šesťhranným nástrčným kľúčom.
- Následne naskrutkujte nylonovú sečnú hlavu na tyč, a to otáčaním proti smeru hodinových ručičiek.
- Snímate šesťhranný nástrčný kľúč



- Presvedčte sa, že čepeľ smeruje ľavou stranou nahor.



## PRED ZAČATÍM PREVÁDZKY

### Kontrola a naplnenie motorového oleja

- Nasledujúci postup vykonajte pokiaľ je motor studený.
  - Motor držte vodorovne. Vyberte ukazovateľ hladiny oleja a skontrolujte, že olej je naplnený v rozmedzí hornej a dolnej hraničnej značky. Pokiaľ je oleja málo, a to v takom množstve, že sa ukazovateľ hladiny oleja dotýka oleja iba hrotom, a to hlavne pokiaľ je ukazovateľ hladiny oleja zasunutý do kľukovej skrine bez zaskrutkovania (obrázok 1), doplňte nový olej až po otvor (obrázok 2).
  - Pre vašu informáciu, čas doplnenia oleja je asi 10 h (10 násobok alebo 10 nádrží oleja).
- Pokiaľ olej zmení farbu alebo sa zmieša so špinou, vymeňte ho za nový. (Interval a spôsob výmeny viď P 157)

**Odporúčaný olej:** olej SAE 10W-30 podľa klasifikácie API, trieda SF alebo vyššia (4 taktný automobilový motor)

**Objem oleja:** asi 0,08 l

Poznámka: Pokiaľ motor nedržíte vzpriamene, olej môže vytekať dookola motora a môže dochádzať k preplneniu olejom.

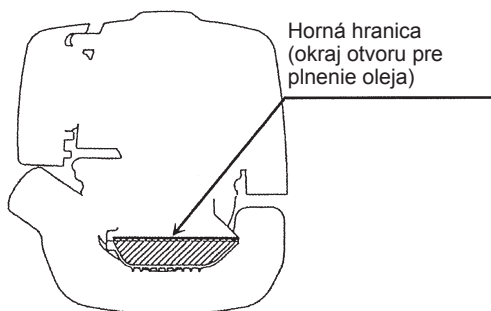
Pokiaľ je olej naplnený nad medznú hodnotu, môže dôjsť k jeho znečisteniu alebo sa môže vznietiť pri vydávaní bieleho dymu.

#### Bod 1 pri výmene oleja: „Ukazovateľ hladiny oleja“

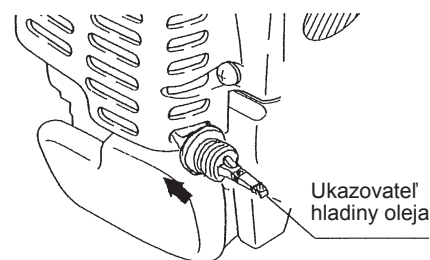
- Odstráňte prach a špinu v blízkosti otvoru pre plnenie oleja a demontujte ukazovateľ hladiny oleja.
- Zabráňte znečisteniu ukazovateľa hladiny oleja pieskom alebo prachom. V opačnom prípade spôsobí piesok alebo prach prilepený na ukazovateľ hladiny oleja nepravdivý obeh oleja alebo opotrebovanie súčastí motora s dôsledkom problémov.
- Príkladom toho, ako zabezpečiť čistotu ukazovateľa hladiny oleja je zasunúť ukazovateľ hladiny oleja na stranu gombíka v plášti motora, ako je to znázornené na obrázku 3.



Obr. 1

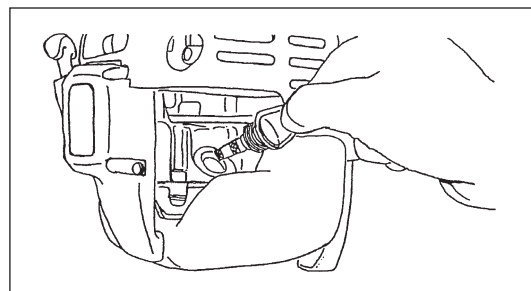


Obr. 2

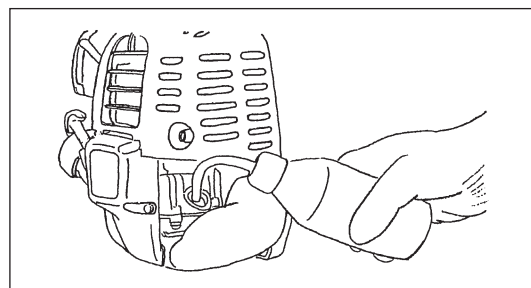


Obr. 3

(1) Motor držte vodorovne a demontujte ukazovateľ hladiny oleja.



(2) Olej naplňte po úroveň okraja otvoru pre plnenie oleja. (Pozrite si obrázok 2 na predchádzajúcej strane).  
Olej naplňte pomocou plniacej nádoby na mazivo.



(3) Ukazovateľ hladiny oleja bezpečne utiahnite. Nedostatočné utiahnutie môže spôsobiť unikanie oleja.

### **Bod 2 pri výmene oleja: „Pokiaľ dôjde k rozliatiu oleja“**

- Pokiaľ sa olej rozleje do priestoru medzi palivovou nádržou a hlavnou jednotkou motora, olej bude nasatý cez otvor prívodu chladiaceho vzduchu, čím dôjde k znečisteniu motora. Skôr ako začnete s prevádzkou utrite rozliaty olej.

## **PLNENIE PALIVA**

### **Manipulácia s palivom**

S palivom je nutné manipulovať s maximálnou opatnosťou. Palivo môže obsahovať látky podobné rozpúšťadlám. Plnenie paliva sa musí vykonávať v dobre vetranej miestnosti alebo na otvorenom priestranstve. Nikdy nevdychujte palivové výpary a palivo udržiavajte v dostatočnej vzdialenosti od seba. Pokiaľ sa paliva opakovane dotknete, alebo ak dôjde k dlhodobému styku s palivom, pokožka bude suchá, čo môže spôsobiť ochorenie kože alebo alergiu. Pokiaľ sa palivo dostane do očí, oči vypláchnite čerstvou vodou. Pokiaľ zostanú oči aj naďalej podráždené, vyhľadajte lekársku pomoc.

### **Doba skladovania paliva**

Palivo by sa malo spotrebovať počas doby 4 týždňov, a to aj v prípade jeho uskladnenia v špeciálnej nádobe na dobre vetranom zatienenom mieste.

Pokiaľ sa nepoužíva špeciálna nádoba alebo pokiaľ nie je nádoba zakrytá, palivo sa môže behom jedného dňa znehodnotiť.

### **USKLADNENIE STROJA A NAPLNENIE NÁDRŽE**

- Stroj a nádrž uskladňujte na chladnom mieste bez účinkov priameho slnečného žiarenia.
- Nikdy palivo neponechávajte v miestnosti uskladnenia alebo v nádrži.

## **Palivový**

Motor predstavuje štvortaktný motor. Používajte preto automobilový benzín (bežný benzín alebo vysokokvalitný benzín).

### **Body ohľadne paliva**

- Nikdy nepoužívajte zmes benzínu obsahujúcu motorový olej. V opačnom prípade dôjde k nadmernému hromadeniu uhlíka alebo k mechanickým problémom.
- Používanie znehodnoteného oleja spôsobí nepravidelné naštartovanie.

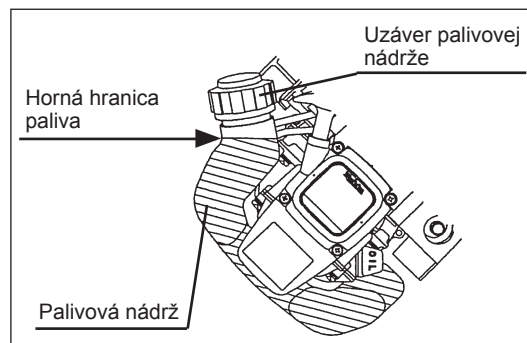
## **Plnenie paliva**

### **VAROVANIE: PRÍTOMNOSŤ HORĽAVÍN JE PRÍSNE ZAKÁZANÁ**

**Použitý typ benzínu:** Automobilový benzín (bezolovnatý benzín)

- Uzáver palivovej nádrže mierne uvoľnite, aby sa odstránil rozdiel medzi vnútorným a atmosférickým tlakom.
- Uzáver palivovej nádrže demontujte a vykonajte plnenie paliva tak, že palivovú nádrž nakloníte, aby otvor pre plnenie paliva smeroval nahor, pričom bude dochádzať k unikaniu vzduchu. (Nikdy palivo neplňte do otvoru pre plnenie oleja.)
- Okolie uzáveru palivovej nádrže dôkladne utrite, aby ste zabránili vniknutiu cudzorodých častíc do vnútra palivovej nádrže.
- Po naplnení paliva dôkladne utiahnite uzáver palivovej nádrže.

- Ak uzáver palivovej nádrže vykazuje trhliny alebo poškodenie, vymeňte ho.
- Uzáver palivovej nádrže predstavuje spotrebný materiál a preto je ho potrebné raz za tri roky vymeniť.





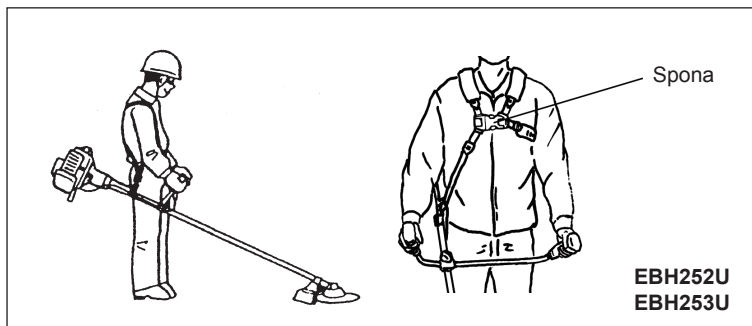
## SPRÁVNÁ MANIPULÁCIA SO STROJOM

### Pripojenie popruhu na rameno

- Dĺžku popruhu nastavte tak, aby sečná čepeľ bola držaná rovnobežne so zemou.

#### Pre EBH252U, EBH253U

POZNÁMKA: Dávajte pozor, aby sa odev a pod. nezachytili do spony.



### Odpojenie

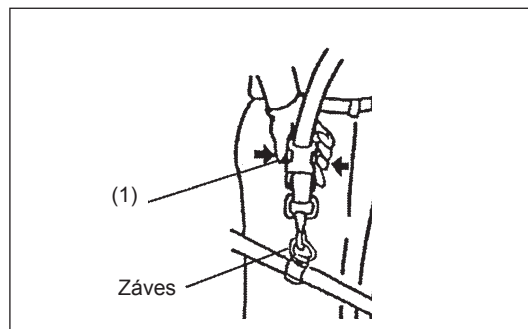
#### Pre EBH252L, EBH253L

- V prípade núdze stlačte zárezy (1) na oboch stranách, čím dôjde k odpojeniu stroja.

V tomto prípade buďte veľmi opatrní pri zachovaní ovládania stroja.

Nedovoľte, aby sa stroj otočil smerom k vám alebo smerom ku komukoľvek v okolí.

VAROVANIE: Opomenutie zachovať úplné ovládanie stroja môže mať za následok vážne osobné poranenie alebo SMRŤ.

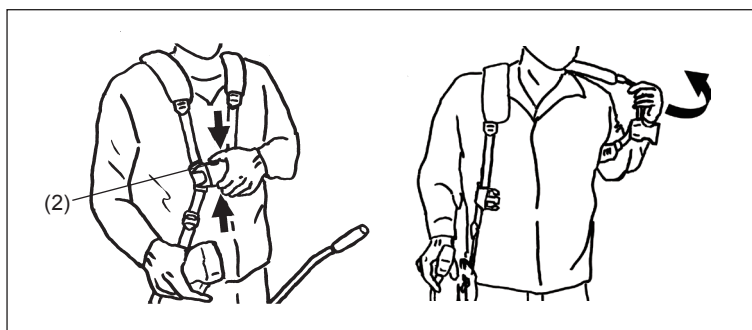


#### Pre EBH252U, EBH253U

- V prípade núdze stlačte zárezy (2) na oboch stranách, čím dôjde k odpojeniu stroja.

V tomto prípade buďte veľmi opatrní pri zachovaní ovládania stroja. Nedovoľte, aby sa stroj otočil smerom k vám alebo smerom ku komukoľvek v okolí.

VAROVANIE: Opomenutie zachovať úplné ovládanie stroja môže mať za následok vážne osobné poranenie alebo SMRŤ.



## BODY V RÁMCI PREVÁDZKY A ZASTAVENIE STROJA

Dodržiavajte vzťahujúce sa nariadenia ohľadne predchádzania úrazom!

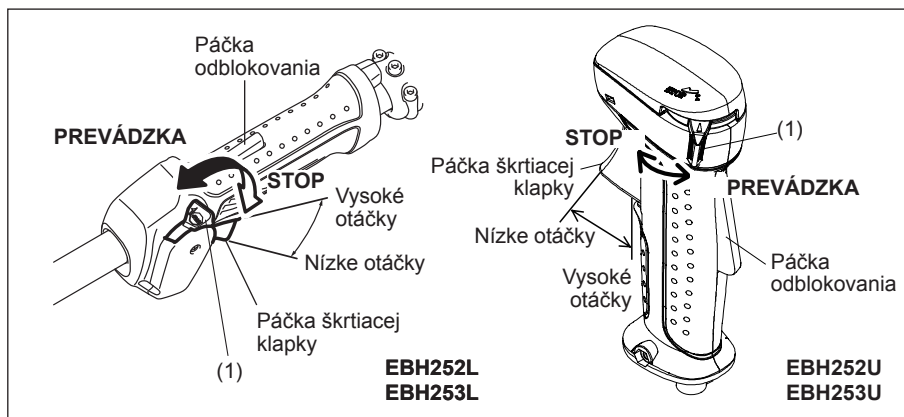


### SPUSTENIE

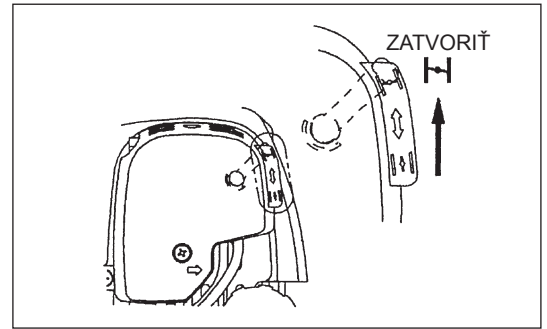
Premiestnite sa aspoň 3 m od miesta plnenia paliva. Benzinový krovínorez položte na čisté miesto na zemi a dávajte pozor, aby sa sečné náradie nedotýkalo zeme ani iných predmetov.

### A: Studený štart

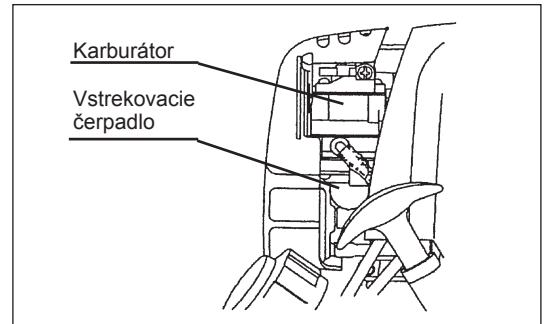
- 1) Tento stroj položte na rovné miesto.



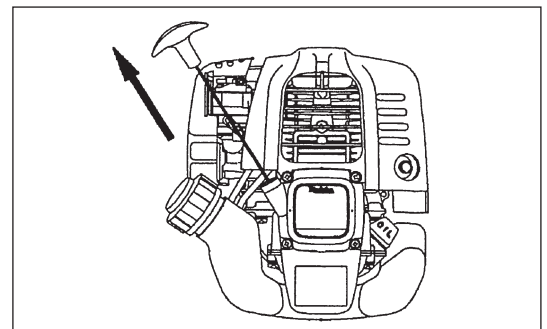
- 2) Prepínač I-O (1) nastavte do polohy OPERATION (PREVÁDZKA).
- 3) Páčka sýtiča  
Zatvorte páčku sýtiča.  
Otvorenie sýtiča:
- Úplné zatvorenie pri chladnom počasí alebo keď je motor chladný.
  - Úplné alebo polovičné otvorenie pri opakovanom naštartovaní po zastavení prevádzky.



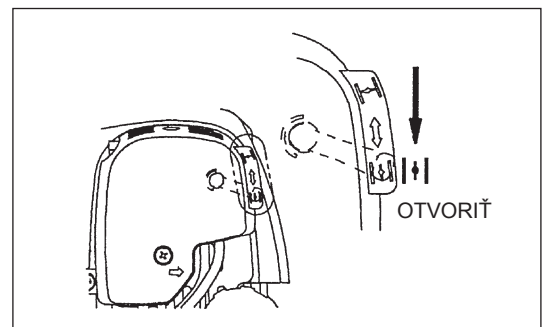
- 4) Vstrekovacie čerpadlo  
Priebežne stláčajte vstrekovacie čerpadlo, a to až dokiaľ sa palivo nedostane do vstrekovacieho čerpadla. (Vo všeobecnosti sa palivo dostane do vstrekovacieho čerpadla po 7 až 10 zatlačeniach.)  
Pokiaľ vstrekovacie čerpadlo budete stláčať nadmerne, nadmerný objem benzínu sa vráti naspäť do palivovej nádrže.



- 5) Štartér s prevíjaním  
Potiahnite jemne štartovací gombík, dokiaľ je ťažké ho ťahať (bod kompresie). Následne gombík vráťte do pôvodnej polohy a silno potiahnite.  
Nikdy úplne nevytiahnite lanko. Po potiahnutí štartovacieho gombíka nikdy ruku okamžite neuvolňujte. Štartovací gombík pridržiavajte, dokiaľ sa nevráti do svojej pôvodnej polohy.



- 6) Páčka sýtiča  
Po naštartovaní motora otvorte páčku sýtiča.
- Páčku sýtiča otvárajte postupne a kontrolujte pritom prevádzku motora. Na konci musí byť páčka sýtiča otvorená úplne.
  - Počas chladného počasia alebo pokiaľ je motor studený, nikdy páčku sýtiča neotvárajte náhle. V opačnom prípade sa motor zastaví.



- 7) Zahrievanie  
Zahrievanie vykonávajte počas doby 2 až 3 minút.

Poznámka: - Pokiaľ budete rukoväť štartéra opakovane pot'ahovať počas doby, kedy je páčky sýtiča v polohe „ZATVORIŤ“, motor ľahko nenaštartuje kvôli nadmernému prívodu paliva.  
- V prípade nadmerného prívodu paliva demontujte zapaľovaciu sviečku a pomalým potiahnutím rukoväte štartéra odstráňte nadbytočné palivo. Taktiež vysušte časť elektródy zapaľovacej sviečky.

### Upozornenie počas prevádzky:

Pokiaľ je počas prevádzky bez zaťaženia páčka škrtiacej klapky úplne otvorená, otáčky motora sa zvýšia na hodnotu 10000 min<sup>-1</sup> alebo viac. Motor nikdy neprevádzkujte pri vyšších než požadovaných otáčkach. Odporúčané prevádzkové otáčky: 6000 - 8500 min<sup>-1</sup>.

## B: Naštartovanie po zahriatí

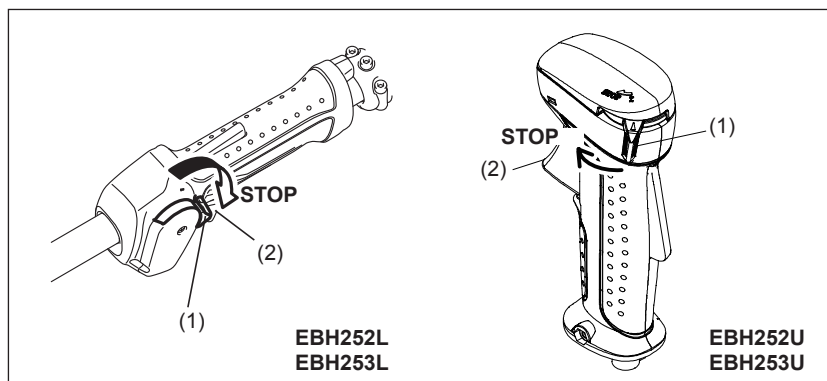
- 1) Opakovane stláčajte vstrekovacie čerpadlo.
- 2) Páčku škrtiacej klapky ponechajte v polohe pre voľnobeh.
- 3) Silno potiahnite štartér s prevíjaním.
- 4) Pokiaľ je ťažké naštartovať motor, otvorte škrtiacu klapku o asi 1/3. Dávajte pozor na sečnú čepeľ, ktorá sa môže otáčať.

### Pozornosť počas prevádzky

Pokiaľ sa motor prevádzkuje kým je otočený naopak, z tlmiča môže vychádzať biely dym.

## ZASTAVENIE

- 1) Uvoľnite úplne páčku škrtiacej klapky (2) a po znížení hodnoty otáčok motora prepnite prepínač I-O do polohy STOP; motor sa teraz zastaví.
- 2) Dávajte pozor, pretože sa sečná hlava nemusí zastaviť okamžite a preto vyčkajte až do jej úplného zastavenia.

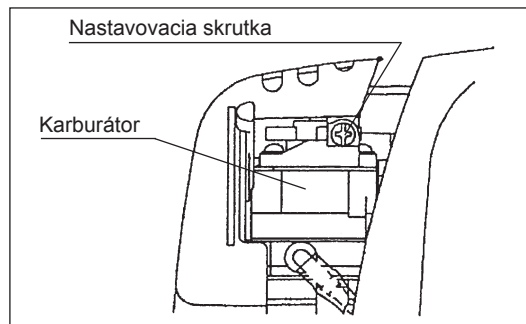


## NASTAVENIE OTÁČANIA PRI NÍZKYCH OTÁČKACH (VOĽNOBEH)

V prípade potreby nastaviť otáčanie pri nízkych otáčkach (voľnobeh), toto nastavenie vykonajte nastavovacou skrutkou karburátora.

## KONTROLA OTÁČANIA PRI NÍZKYCH OTÁČKACH

- Nastavte otáčanie pri nízkych otáčkach na hodnotu 3000 min<sup>-1</sup>. Pokiaľ je potrebné zmeniť rýchlosť otáčania, pomocou skrutkovača Phillips otáčajte nastavovacou skrutkou (znázornené vpravo).
- Pri otáčaní nastavovacej skrutky doprava sa budú otáčky motora zvyšovať. Pri otáčaní nastavovacej skrutky doľava sa budú otáčky motora znižovať.
- Karburátor je vo všeobecnosti nastavený pred expedovaním. Pokiaľ je potrebné vykonať nastavenie, spojte sa s autorizovaným servisným zástupcom.



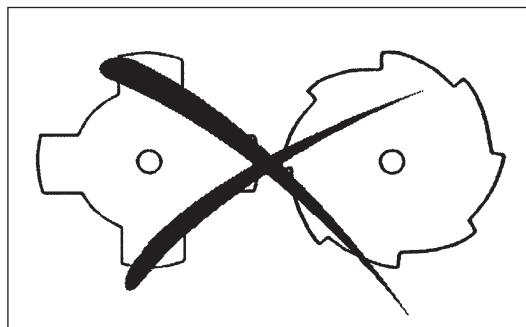
## OSTRENIE SEČNÉHO NÁRADIA



UPOZORNENIE: Sečné náradie uvedené nižšie smie opätovne ostriť len autorizované zariadenie. Manuálne ostrenie bude mať za následok nevyváženosť sečného náradia s dôsledkom vibrácií a poškodenia zariadenia.

- sečná čepeľ  
Odborné ostrenie a vyváženie poskytujú autorizovaní servisní zástupcovia.

POZNÁMKA: Kvôli predĺženiu životnosti sečnej čepele je možné ju raz otočiť, a to dokiaľ sa obidva sečné okraje neotupia.



## NYLONOVÁ SEČNÁ HLAVA

Nylonová sečná hlava predstavuje sečnú hlavu s dvojitou strunou vhodnú pre automaticky mechanizmus a mechanizmus typu udrieť a posunúť strunu. Nylonová sečná hlava automaticky vysunie správnu dĺžku nylonovej struny zmenou odstredivej sily spôsobenej zvyšovaním alebo znižovaním hodnoty otáčok za minútu. Predsa len však, ak chcete kosiť mäkkú trávu účinnejšie, udríte nylonovou sečnou hlavou o zem, čím dôjde o vysunutiu dodatočnej dĺžky struny tak, ako je to uvedené v časti o prevádzke.

### Prevádzka

- Zvýšte otáčky nylonovej sečnej hlavy na hodnotu asi 6000 min<sup>-1</sup>. Nízke otáčky (pod hodnotou 4800 min<sup>-1</sup>) nie sú vhodné a nylonová struna sa pri nízkych otáčkach správne nevysunie.
- Najefektívnejšia sečná plocha je zobrazená tieňovaním.

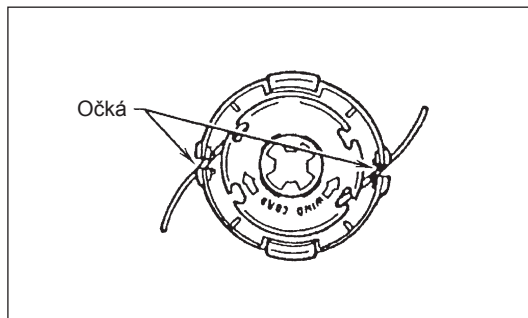
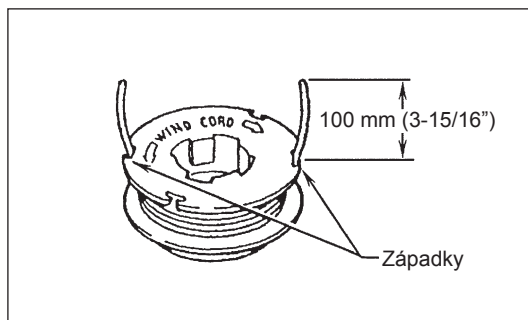
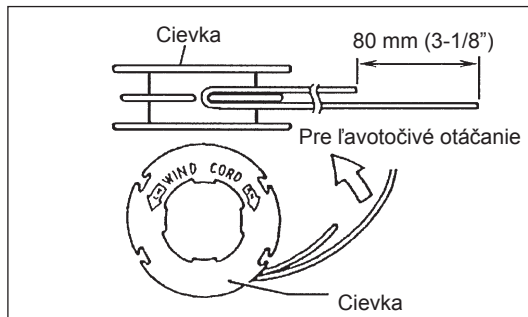
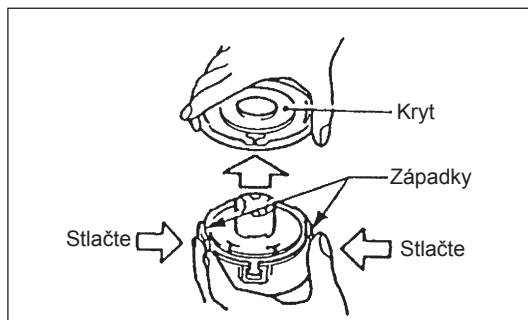
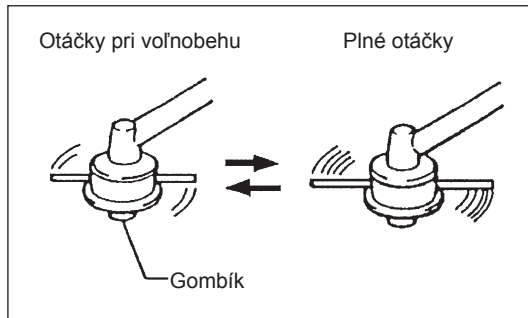
Pokiaľ sa nylonová struna nevysúva automaticky, postupujte nasledujúcim spôsobom:

1. Uvoľnite páčku škrtiacej klapky a uveďte motor do voľnobehu; následne páčku škrtiacej klapky stlačte úplne. Tento postup zopakujte dokiaľ sa nylonová struna nevysunie na správnu dĺžku.
2. Pokiaľ je nylonová struna veľmi krátka, aby sa automaticky vysunula pri použití hore uvedeného postupu, udríte nylonovou sečnou hlavou o zem, čím dôjde k vysunutiu dodatočnej nylonovej struny.
3. Pokiaľ sa nylonová struna nevysunie pri aplikácii postupu 2, odviňte/vymeňte nylonovú strunu nasledujúcimi postupmi uvedenými v časti „Výmena nylonovej struny“.

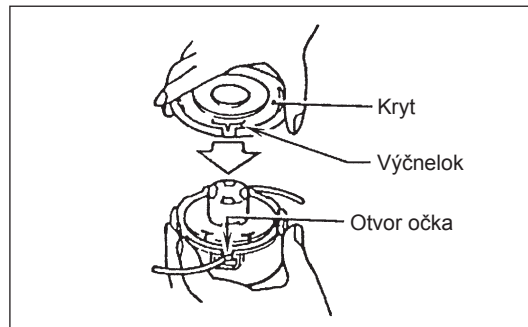
### Výmena nylonovej struny

- V prvom rade zastavte motor.
- Stlačte západky na skrini dovnútra, zdvihnite kryt a vyberte cievku.
- Zaháčkujte stred novej nylonovej struny do zárezu v strednej časti cievky, pričom jeden koniec struny musí byť o asi 80 mm (3-1/8") dlhší než druhý. Následne oba konce pevne oviňte okolo cievky v smere otáčania hlavy (ľavotočivý smer je označený LH a pravotočivý smer je označený RH na boku cievky).
- Navíňte celé struny okrem 100 mm (3-15/16") strún; tieto zvyšky dočasne zaháčkujte o zárez na boku cievky.

- Cievku namontujte do skrine tak, aby drážky a výčnelky cievky súhlasili s drážkami a výčnelkami na skrini. Strana cievky s písmenami musí byť na vrchu. Teraz odháčkujte konce struny z dočasnej polohy a pretiahnite struny cez očká tak, aby vychádzali zo skrine.



- Zarovnajete výčnelok na vnútornej strane krytu s otvormi očiek. Kryt pevne zatlačte na skriňu a zaistite ho.



## POKYNY OHĽADNE VYKONÁVANIA SERVISU

**UPOZORNENIE:** Pred vykonaním akejkoľvek práce na benzínovom krovinoze vždy vypnite motor a vytiahnite zátkový uzáver zo zapalovacej sviečky (pozrite si časť „Kontrola zapalovacej sviečky“). Vždy používajte ochranné rukavice!

Aby ste zabezpečili dlhú prevádzkovú životnosť a aby ste zabránili poškodeniu zariadenia, v pravidelných intervaloch je potrebné vykonať nasledujúce servisné činnosti.

### Každodenná kontrola a údržba

- Pred prevádzkou skontrolujte stroj z pohľadu uvoľnených skrutiek alebo chýbajúcich súčastí. Hlavný dôraz venujte utiahnutiu sečnej čepele alebo nylonovej sečnej hlavy.
- Pred prevádzkou vždy skontrolujte zanesenie vedenia chladiaceho vzduchu a chladiace rebrá valca. V prípade potreby ich vyčistite.
- Každodenne po použití vykonajte nasledujúce:
  - Z vonkajšej strany očistite benzínový krovinoz a skontrolujte z pohľadu poškodení.
  - Vyčistite vzduchový filter. Pokiaľ pracujete v silne prašnom prostredí, filter vyčistite niekoľkokrát za deň.
  - Skontrolujte sečnú čepeľ alebo nylonovú sečnú hlavu z pohľadu poškodenia a skontrolujte ich pevné namontovanie.
  - Overte, že medzi otáčkami pri voľnobehu a otáčkami pri zaradení je dostatočný rozdiel, aby sa zabezpečilo, že sečné náradie sa počas voľnobehu nepohybuje (v prípade potreby znížte otáčky pri voľnobehu). Pokiaľ sa počas voľnobehu sečné náradie pohybuje, poraďte sa ohľadne tejto skutočnosti s najbližším autorizovaným servisným zástupcom.
- Skontrolujte fungovanie prepínača I-O, páčky odblokovania, ovládacej páčky a blokovacieho tlačidla.

### VÝMENA MOTOROVÉHO OLEJA

Znehodnotený motorový olej vo veľkej miere skracuje životnosť posuvných a rotačných častí. Kontrolujte pravidelnosť a množstvo vymeneného oleja.



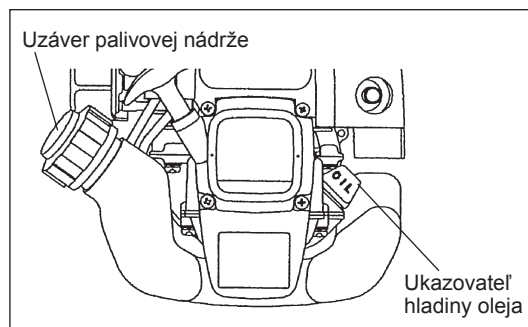
**POZOR:** Vo všeobecnosti zostanú motorový olej a hlavná jednotka motora ihneď po zastavení motora horúce. Počas výmeny oleja sa presvedčte, že hlavná jednotka motora a motorový olej sú dostatočne chladné. V opačnom prípade hrozí riziko obarenia.

**Poznámka:** Pokiaľ je olej naplnený nad medznú hodnotu, môže dôjsť k jeho znečisteniu alebo sa môže vznietiť pri vydávaní bieleho dymu.

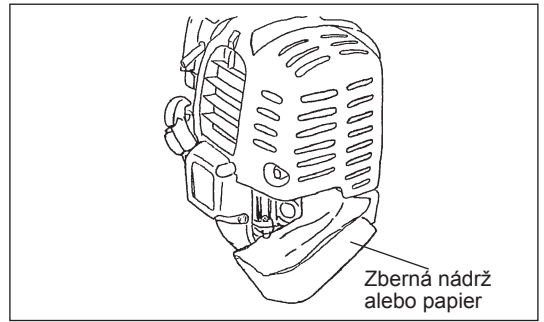
**Interval výmeny:** Na začiatku po ubehnutí každých 20 prevádzkových hodín a následne po ubehnutí každých 50 prevádzkových hodín  
**Odporúčany olej:** olej SAE 10W-30 podľa klasifikácie API, trieda SF alebo vyššia (4 taktný automobilový motor)

Počas výmeny vykonajte nasledujúci postup.

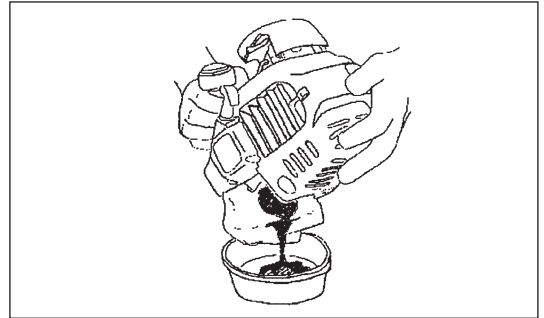
- 1) Presvedčte sa, že uzáver nádrže je pevne utiahnutý.
- 2) Vyberte ukazovateľ hladiny oleja. Zabráňte zaneseniu ukazovateľa hladiny oleja prachom a špinou.



3) Zbernú nádrž alebo papier umiestnite v blízkosti otvoru pre plnenie oleja.

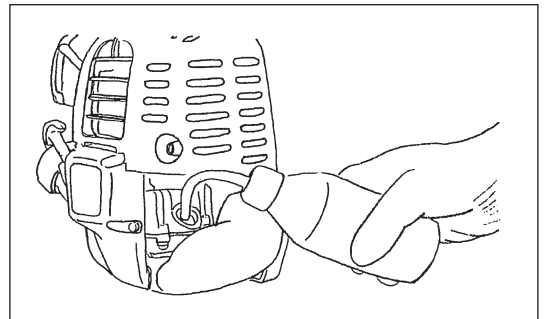


4) Vytiahnite ukazovateľ hladiny oleja a olej vypustíte naklonením hlavnej jednotky v smere otvoru pre plnenie oleja.  
Olej vypustíte do nádoby určenej na správne zneškodnenie.



5) Motor ponechajte vo vodorovnej polohe a po okraj otvoru pre plnenie oleja nalejte nový olej.  
Počas plnenia používajte plniacu nádobu na mazivo.

6) Po naplnení ukazovateľ hladiny oleja bezpečne utiahnite. Nedostatočné utiahnutie ukazovateľa hladiny oleja bude mať za následok unikanie oleja.



## BODY OHĽADNE OLEJA

- Starý olej nikdy nezneškodňujte vylitím do odpadu, pôdy alebo kanalizácie. Zneškodňovanie oleja upravuje zákon. V rámci zneškodňovania vždy dodržiavajte patričné zákony a nariadenia. Pokiaľ sú vám niektoré body nejasné, spojte sa s autorizovaným servisným zástupcom.
- Olej sa znehodnotí aj v prípade, ak ho ponecháte bez spotrebovania. Kontrolu a výmenu vykonávajte v pravidelných intervaloch (výmenu za nový olej vykonajte každých 6 mesiacov).

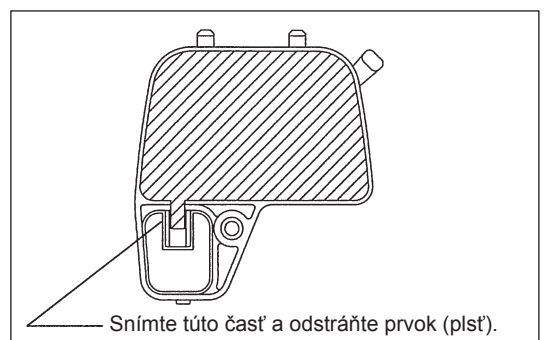
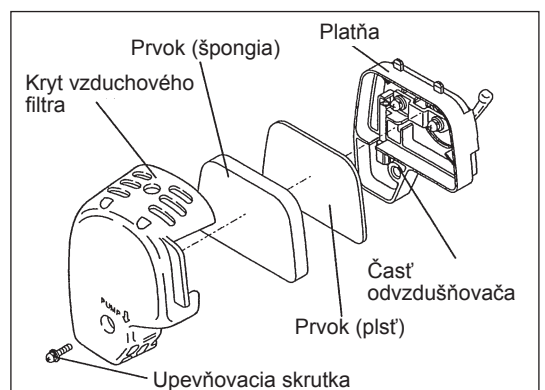
## ČISTENIE VZDUCHOVÉHO FILTRA



**NEBEZPEČENSTVO: PRÍTOMNOSŤ HORĽAVÍN JE PRÍSNE ZAKÁZANÁ**

**Interval čistenia a kontroly: Každodenne (po ubehnutí každých 10 prevádzkových hodín)**

- Otočte páčku sýtiča úplne na stranu zatvorenia a zabráňte prístupu prachu a špiny do karburátora.
- Odskrutkujte upevňovacie skrutky krytu vzduchového filtra.
- Vytiahnite nižšiu stranu krytu a demontujte kryt vzduchového filtra.
- Pokiaľ sa na prvku (špongia) nachádza olej, pevne prvok vytlačte.
- V prípade silného znečistenia:
  - 1) Vyberte prvok (špongia), ponorte ho do teplej vody alebo do vody s prídáním neutrálneho čistiaceho prostriedku a nechajte úplne vyschnúť.
  - 2) Prvok (plst') vyčistíte benzínom a nechajte ho úplne vyschnúť.
- Pred osadením prvku ho nechajte úplne vyschnúť. Nedostatočné vyschnutie prvku môže viesť k ťažkému naštartovaniu.
- Olej usadený na kryte vzduchového filtra a odvzdušňovača s platňou utrite handrou, ktorú zneškodníte do odpadu.
- Okamžite po vyčistení namontujte kryt vzduchového filtra a utiahnite pomocou upevňovacích skrutiek. (Pri spätnom osadení najprv nasadíte hornú čelusť a následne dolnú čelusť.)



### Body ohľadne manipulácie s prvkom vzduchového filtra

- Prvok v prípade, pokiaľ sa naň zachytí nadmerné množstvo prachu čistíte niekoľkokrát za deň.
- Pokiaľ budete pokračovať v činnosti s prvkom neočisteným od oleja, olej vo vnútri vzduchového filtra sa môže dostať von s následkom znečistenia olejom.

## KONTROLA ZAPAĽOVACEJ SVIEČKY

- Na demontáž a inštaláciu zapaľovacej sviečky používajte jedine dodávaný univerzálny kľúč.
- Štrbina medzi elektródami zapaľovacej sviečky by mala byť 0,7 - 0,8 mm (0,028" - 0,032"). Pokiaľ je štrbina veľmi široká alebo veľmi úzka, nastavte ju. Pokiaľ je zapaľovacia sviečka zanesená alebo zašpinená, dôkladne ju vyčistite alebo ju vymeňte.

**UPOZORNENIE:** Pokiaľ motor beží, nikdy sa nedotýkajte konektora zapaľovacej sviečky (riziko zasiahnutia vysokonapäťovým elektrickým prúdom).

## APLIKÁCIA MAZIVA DO PREVODOVKY

- Mazivo (Shell Alvania 2 alebo rovnocenné mazivo) naneste do prevodovky cez mazací otvor; mazanie vykonajte každých 30 hodín. (Originálne mazivo značky MAKITA si môžete zakúpiť u predajcu výrobkov značky MAKITA.)

## ČISTENIE PALIVOVÉHO FILTRA

### VAROVANIE: PRÍTOMNOSŤ HORĽAVÍN JE PRÍSNE ZAKÁZANÁ

Interval čistenia a kontroly: Mesačne (po ubehnutí každých 50 prevádzkových hodín)

#### Nasávacía hlava v palivovej nádrži

- Palivový filter (1) nasávacej hlavy sa používa na plnenie paliva, ktoré potrebuje karburátor.
- Musí sa vykonávať pravidelná vizuálna kontrola palivového filtra. Pre tento účel otvorte uzáver palivovej nádrže a pomocou drôteného háku vytiahnite nasávaciu hlavu cez otvor nádrže. Stvrdnuté, znečistené alebo zanesené filtre je potrebné vymeniť.
- Nedostatočný prívod paliva môže spôsobiť prekročenie maximálnych dovolených otáčok. Preto je potrebné vymeniť palivový filter raz za štvrtrok, čím sa zabezpečí prívod paliva do karburátora.

## VÝMENA PALIVOVEJ RÚRKY

### UPOZORNENIE: PRÍTOMNOSŤ HORĽAVÍN JE PRÍSNE ZAKÁZANÁ

Interval čistenia a kontroly: Každodenne (po ubehnutí každých 10 prevádzkových hodín)

Výmena: Každoročne (po ubehnutí každých 200 prevádzkových hodín)

Palivovú rúrku vymeňte každoročne bez ohľadu na frekvenciu prevádzkovania. Unikanie paliva môže spôsobiť požiar.

Ak počas kontroly zistíte unikanie paliva, okamžite vymeňte palivovú rúrku.

## KONTROLA SVORNÍKOV, MATÍC A SKRUTIEK

- Utiahnite uvoľnené skrutky, matice atď.
- Skontrolujte, či nedochádza k unikaniu paliva.
- Kvôli bezpečnej prevádzke vymeňte poškodené súčasti.

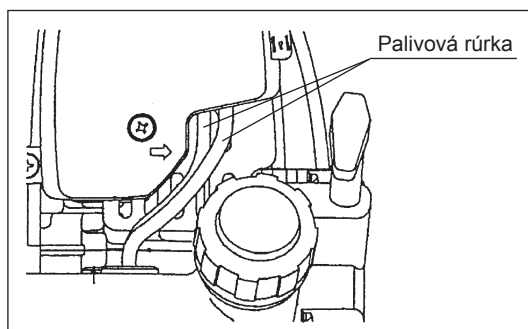
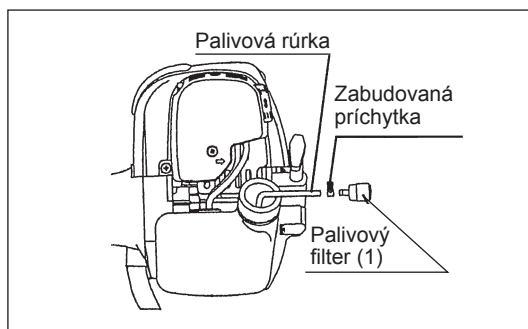
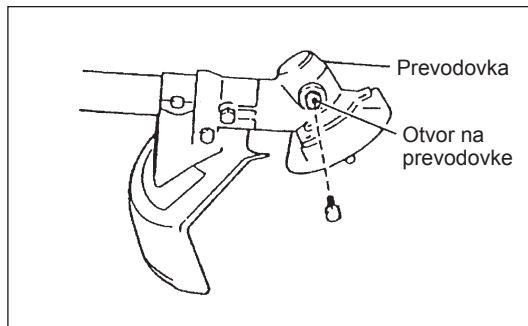
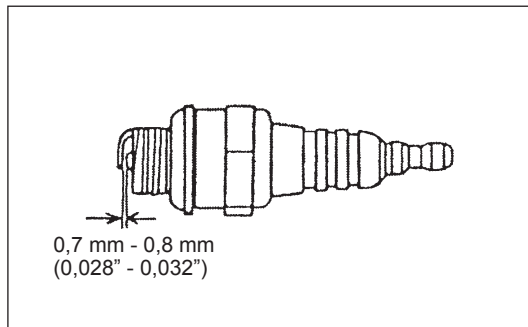
## ČISTENIE SÚČASTÍ

- Motor vždy udržiavajte v čistom stave.
- Chladiace rebrá valca udržiavajte pozbavené prachu a nečistôt. Prach alebo špina zachytené na rebrách spôsobujú zaseknutie piesta.

## VÝMENA TESNENÍ A UPCHÁVOK

Po montáži vykonanej po demontáži motora vymeňte tesnenia a upchávky za nové.

Akúkoľvek údržbu alebo nastavenie, ktoré nie sú obsiahnuté a popísané v tomto návode smie vykonávať jedine autorizovaný servisný zástupca.



## USKLADNENIE



**VAROVANIE: Počas vypúšťania paliva zastavte motor a nechajte ho vychladnúť.**  
Ihneď po zastavení môže byť motor horúci, čoho dôsledkom môže byť popálenie, vznietenie a požiar.

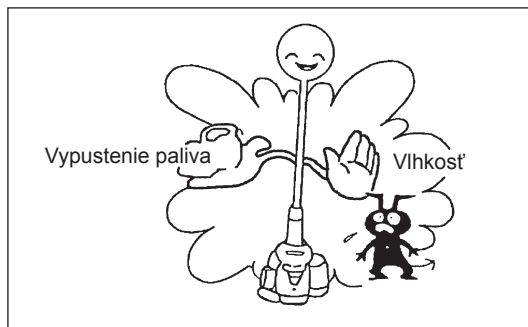


**POZOR: Pokiaľ stroj dlhodobo nepoužívate, vypustíte celý objem paliva z palivovej nádrže a karburátora a stroj uskladníte na suchom a čistom mieste.**

– Palivo z palivovej nádrže a z karburátora vypustíte podľa nasledujúceho postupu:

- 1) Snímte uzáver palivovej nádrže a celý objem paliva vypustíte.  
Pokiaľ sa v palivovej nádrži nachádza cudzie teleso, vyberte ho.
- 2) Pomocou drôtu vytiahnite z otvoru pre plnenie palivový filter.
- 3) Vstrekovacie čerpadlo stláčajte dokiaľ z neho nevypustíte celý objem paliva a palivo prichádzajúce do palivovej nádrže vypustíte.
- 4) Do palivovej nádrže vložte filter a utiahnite uzáver palivovej nádrže.
- 5) Následne motor nechajte bežať, dokiaľ nezastane.

- Demontujte zapaľovaciu sviečku a do otvoru zapaľovacej sviečky nakvapkajte niekoľko kvapiek motorového oleja.
- Jemne potiahnite rukoväť štartéra a to tak, aby sa olej rozšíril po motore; následne namontujte zapaľovaciu sviečku.
- Na sečnú čepeľ nasadte kryt.
- Počas skladovania musí byť krovínorez vo vodorovnej (horizontálnej) polohe. Stroj skladujte motorom hore a nádržou dolu /pod nádržou na palivo je plastový stojan/, nikdy nie obrátene, môže dôjsť k rozliatiu mazacieho oleja.
- Vypustené palivo uskladníte v špeciálnej nádobe na dobre vetranom tienistom mieste.



### Pozornosť, ktorú treba venovať po dlhodobom uskladnení

- Pred naštartovaním po dlhodobom uskladnení vymeňte olej (pozrite si stranu 157). Počas doby, kedy je stroj mimo prevádzky dôjde k znehodnoteniu oleja.

### Identifikácia chýb

Chyba	Systém	Pozorovanie	Príčina
Motor neštartuje, alebo štartuje s problémami	Systém zapaľovania	Zapaľovacia sviečka je v poriadku  Žiadna zapaľovacia iskra	Chyba prívodu paliva alebo systému kompresie; mechanická chyba  Je aplikovaný prepínač STOP; chybné vedenie alebo skrat; chybná zapaľovacia sviečka alebo konektor; chybný modul zapaľovania
	Prívod paliva	Palivová nádrž je naplnená	Nesprávna poloha škrtiacej klapky; chybný karburátor; vedenie paliva je ohnuté alebo zablokované; palivo je znečistené
	Kompresia	Po zatiahnutí nedochádza ku kompresii	Chybné spodné tesnenie valca; poškodené tesnenia kľukového hriadeľa; tesniace krúžky valca alebo piesta sú chybné alebo nie je správne tesnenie zapaľovacej sviečky
	Mechanická chyba	Štartér sa nezapája	Zlomená pružina štartéra; zlomené súčasti vo vnútri motora
Problémy pri teplom štarte		Nádrž je plná; dochádza k zapaľovacej iskre	Karburátor je znečistený, nechajte ho vyčistiť.
Motor sa spustí, ale zastane	Prívod paliva	Nádrž je naplnená	Nesprávne nastavenie voľnobehu; znečistený karburátor  Odvzdušňovanie palivovej nádrže je chybné; prívod paliva je prerušený, kábel alebo vypínač STOP sú chybné.
Nedostatočný výkon	Možno je súčasne chybných niekoľko systémov	Voľnobeh motora je slabý	Znečistený vzduchový filter; znečistený karburátor; zanesený tlmíč výfuku; výfukové vedenia valca je zanesené



Prevádzková doba Položka		Pred prevádzkou	Po namazaní	Každodenne (10 h)	30 h	50 h	200 h	Vypnutie/ nečinnosť	Zodpovedajúca strana
Motorový olej	Kontrola/ čistenie	○							151
	Vymeňte					○*1			157
Utiahnutie súčastí (skrutky, matice)	Kontrola	○							159
Palivová nádrž	Čistenie/ kontrola	○							—
	Vypustenie paliva							○*3	160
Páčka škrtiacej klapky	Kontrola funkcie		○						—
Prepínač Stop	Kontrola funkcie		○						155
Sečná čepel'	Kontrola	○		○					149
Otáčanie pri nízkych otáčkach	Kontrola/ nastavenie			○					155
Vzduchový filter	Vyčistite			○					158
Zapaľovacia sviečka	Kontrola			○					159
Vedenie chladiaceho vzduchu	Čistenie/ kontrola			○					159
Palivová rúrka	Kontrola			○					159
	Vymeňte						◎*2		—
Mazivo prevodovky	Doplnenie				○				159
Palivový filter	Čistenie/ výmena					○			159
Svetlosť medzi ventilom pre nasávanie vzduchu a ventilom pre vypúšťanie vzduchu	Vykonajte nastavenie						◎*2		—
Generálna oprava motora							◎*2		—
Karburátor	Vypustenie paliva							○*3	160

\*1 Počiatočnú výmenu vykonajte po 20 hodinách prevádzky.

\*2 O kontrolu po ubehnutí 200 prevádzkových hodín požiadajte autorizovaného servisného zástupcu alebo predajňu.

\*3 Po vyprázdnení palivovej nádrže nechajte motor bežať a vypustite palivo z karburátora.

## RIEŠENIE PROBLÉMOV

Pred požiadanim o vykonanie opravy skontrolujte chybu sami. Pokiaľ zistíte nie bežné fungovanie, stroj skontrolujte podľa popisu v tomto návode. Nikdy neupravujte ani nedemontujte žiadnu časť iným než predpísaným spôsobom. O opravu požiadajte autorizovaného servisného zástupcu alebo miestneho predajcu.

Chybný stav	Možná príčina (chyba)	Náprava
Motor nenašartuje	Chyba činnosti vstrekovacieho čerpadla	Stlačte 7 až 10 krát
	Nízka rýchlosť ťahu lanka štartéra	Potiahnite silne
	Nedostatočný objem paliva	Doplňte palivo
	Zanesený palivový filter	Vyčistite
	Zlomená palivová rúrka	Narovnajzte palivovú rúrku
	Znehodnotené palivo	Znehodnotené palivo zhoršuje naštartovanie vo veľkej miere. Vymeňte za nové. (Odporúčaná výmena: 1 mesiac)
	Nadmerné nasávanie paliva	Nastavte páčku škrtiacej klapky zo stredných otáčok na vysoké otáčky a potiahnite rukoväť štartéra dokiaľ motor nenašartuje. <b>Po naštartovaní motora sa začne otáčať sečná čepeľ. Dávajte na sečnú čepeľ pozor.</b> Pokiaľ sa aj napriek tomu motor nenašartuje, vymeňte zapaľovaciu sviečku, vysušte elektródu a poskladajte do pôvodného stavu. Následne naštartujte uvedeným spôsobom.
	Odpojený zátkový uzáver	Bezpečne pripevnite
	Znečistená zapaľovacia sviečka	Vyčistite
	Nie bežná svetlosť zapaľovacej sviečky	Svetlosť nastavte
	Iný, nie bežný stav zapaľovacej sviečky	Vymeňte
	Nie bežné fungovanie karburátora	Požiadajte o vykonanie kontroly a údržby.
	Lanko štartéra nemožno potiahnuť	Požiadajte o vykonanie kontroly a údržby.
	Nie bežné fungovanie hnacieho systému	Požiadajte o vykonanie kontroly a údržby.
Motor sa skoro zastaví Otáčky motora sa nezvyšujú	Nedostatočné zahrievanie	Vykonajte zahriatie
	Páčka sýtiča je v polohe „ZATVORIŤ“, hoci je motor zahrievaný.	Nastavte do polohy „OTVORIŤ“
	Zanesený palivový filter	Vyčistite
	Zanesený alebo znečistený vzduchový filter	Vyčistite
	Nie bežné fungovanie karburátora	Požiadajte o vykonanie kontroly a údržby.
	Nie bežné fungovanie hnacieho systému	Požiadajte o vykonanie kontroly a údržby.
Sečná čepeľ sa neotáča ↓ Motor okamžite zastavte	Uvoľnená upínacia matica sečnej čepele	Dôkladne utiahnite
	Vetvičky zachytené sečnou čepeľou alebo krytom zabraňujúcim odletovaniu.	Odstráňte cudzí predmet
	Nie bežné fungovanie hnacieho systému	Požiadajte o vykonanie kontroly a údržby.
Hlavná jednotka vibruje nie bežným spôsobom ↓ Motor okamžite zastavte	Zlomená, ohnutá alebo opotrebovaná čepeľ	Vymeňte sečnú čepeľ
	Uvoľnená upínacia matica sečnej čepele	Dôkladne utiahnite
	Posunutá vypuklá časť sečnej čepele a podporná príruha sečnej čepele.	Bezpečne pripevnite
	Nie bežné fungovanie hnacieho systému	Požiadajte o vykonanie kontroly a údržby.
Sečná čepeľ sa okamžite nezastaví ↓ Motor okamžite zastavte	Vysoké otáčky v rámci voľnobehu	Vykonajte nastavenie
	Odpojený drôt škrtiacej klapky	Bezpečne pripevnite
	Nie bežné fungovanie hnacieho systému	Požiadajte o vykonanie kontroly a údržby.
Motor sa nezastaví ↓ Spustíte motor na voľnobeh a páčku sýtiča nastavte do polohy ZATVORIŤ	Odpojený konektor	Bezpečne pripevnite
	Nie bežné fungovanie elektrického systému	Požiadajte o vykonanie kontroly a údržby.

Pokiaľ motor po zahrievaní nenašartuje:

Pokiaľ nedochádza ku žiadnemu nie bežnému stavu uvedenému v položkách kontroly, otvorte škrtiacu klapku o asi 1/3 a motor naštartujte.

Děkujeme za zakoupení motorového křovinořezu MAKITA. S potěšením vám představujeme motorový křovinořez MAKITA. Tento produkt je výsledkem dlouhého vývojového programu a záručením dlouholetých znalostí a zkušeností v této oblasti.

Pročtěte si tuto brožuru, jež se podrobně věnuje nejrůznějším faktům svědčícím o mimořádné výkonnosti našeho produktu. Tato publikace vám při využívání motorového křovinořezu MAKITA pomůže dosáhnout nejlepších možných výsledků.



Obsah	Strana
Symbole.....	163
Bezpečnostní pokyny .....	164
Technické údaje.....	168
Popis dílů.....	170
Montáž držadla .....	171
Montáž ochranného krytu .....	172
Montáž nože či strunové hlavy .....	173
Než začnete pracovat.....	174
Správné zacházení se zařízením .....	176
Obsluha a zastavení zařízení.....	176
Ostření vyžínacího nástroje.....	178
Servisní pokyny .....	180
Skladování.....	183

## SYMBOLY

Při čtení návodu k obsluze narazíte na následující symboly.

	Přečtěte si návod k obsluze a dodržujte varování a bezpečnostní opatření!		Zamezte vstupu na pracoviště všem osobám a zvířatům!
	Budte obzvláště opatrní a dávejte pozor!		Používejte ochrannou přilbu a ochranu zraku a sluchu!
	Zakázáno!		Nejvyšší povolené otáčky nástroje
	Dodržujte bezpečnou vzdálenost!		Palivo (benzín)
	Nebezpečí odletujících úlomků!		Ruční startování motoru
	Zákaz kouření!		Nouzové zastavení
	Zákaz používání otevřeného ohně!		První pomoc
	Nutnost použít ochranné rukavice!		ZAP./START
	Noste pevnou obuv s protiskluzovou podrážkou. Doporučujeme bezpečnostní obuv s ocelovou špičkou!		VYP./STOP
	Zpětný ráz!		

## BEZPEČNOSTNÍ POKYNY

### Obecné pokyny

- Přečtěte si tento návod k obsluze a seznamte se s obsluhou zařízení. Nedostatečně informovaní uživatelé mohou v důsledku nesprávné manipulace vystavit nebezpečí sebe i další osoby.
- Používání zařízení doporučujeme pouze osobám s prokázanými zkušenostmi s tímto nářadím. S nářadím vždy předávejte i návod k obsluze.
- Začínající uživatelé by se měli obrátit na prodejce se žádostí o základní pokyny, aby se obeznámili s obsluhou křovinořezů.
- Zařízení nesmí obsluhovat děti a osoby mladší 18 let. Osoby starší 16 let však mohou zařízení používat za účelem získání praxe, avšak pod dohledem kvalifikované osoby.
- Zařízení používejte vždy s maximální opatrností a pozorností.
- Pracujte pouze pokud jste v dobrém fyzickém stavu. Veškerou práci provádějte klidně a opatrně. Uživatel přebírá odpovědnost i za ostatní osoby.
- Zařízení nikdy nepoužívejte po požití alkoholu či léků a ani pokud jste unavení či nemocní.
- Používání zařízení může být omezeno národními předpisy.

### Účel použití nářadí

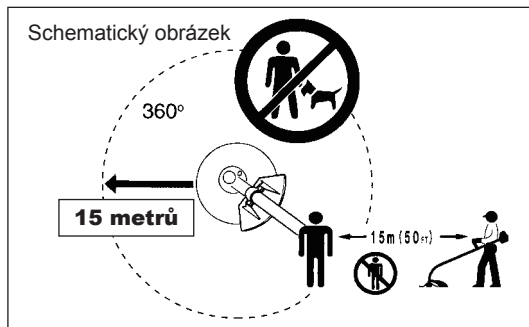
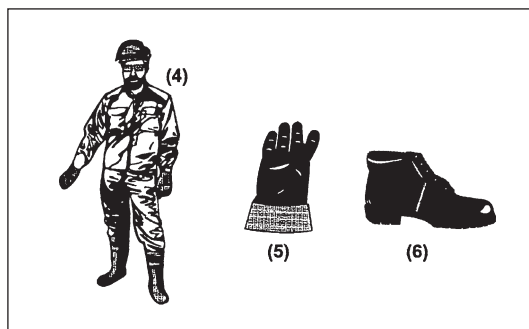
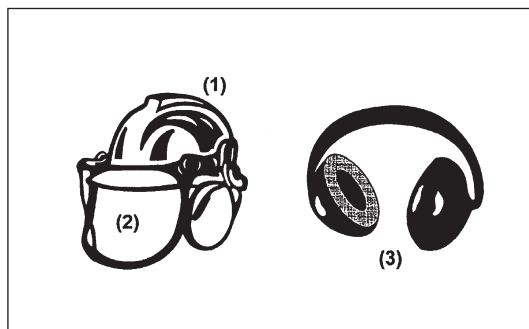
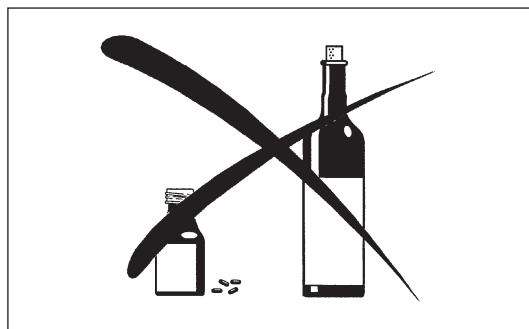
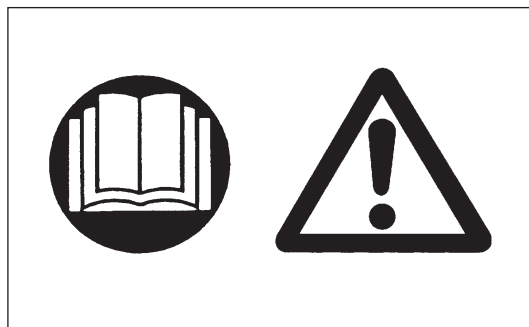
- Zařízení je určeno pouze k sekání trávy, plevele, křovin a mlází. Zařízení nesmí být používáno k žádnému jinému účelu, například k zastříhování či stříhání živých plotů, neboť by mohlo dojít ke zranění.

### Osobní ochranné pomůcky

- Používejte vhodný a funkční oděv – přiléhavý a neomezující v pohybu. Nenoste šperky ani oděv, který by se mohl zachytit o houštiny či křoviny.
- Při práci je nutné používat následující ochranné prostředky a ochranný oděv zamezující zranění hlavy, očí, rukou, nohou či poškození sluchu.
- Při nebezpečí odlétávajících úlomků vždy noste ochrannou přilbu. Ochrannou přilbu (1) pravidelně kontrolujte, zda není poškozena. Přilbu je třeba nejpozději po pěti letech vyměnit. Používejte pouze schválené ochranné přilby.
- Ochranný štít (2) přilby (případně ochranné brýle) chrání tvář před odletujícími úlomky či kameny. K zamezení zranění očí noste při práci vždy ochranné brýle nebo štít.
- K zamezení poškození sluchu používejte vhodné chrániče sluchu (ochranná sluchátka (3), ucpávky do uší, apod.).
- Pracovní kombinézy (4) chrání před odletujícími kameny a úlomky. Uživatelům důrazně doporučujeme, aby používali pracovní kombinézy.
- Součástí předepsaného vybavení tvoří rukavice (5), jež musí obsluha zařízení při práci vždy nosit.
- Při práci se zařízením vždy noste pevnou obuv (6) s protiskluzovou podrážkou. Zamezte tak zraněním a zajistíte si správný postoj.

### Startování křovinořezu

- Ujistěte se, zda nejsou v pracovním prostoru v okruhu 15 metrů žádné děti a další osoby a dejte také pozor na zvířata v blízkosti místa vykonávané práce.
- Před prací vždy zkontrolujte, zda je zařízení bezpečně provozuschopné: Zkontrolujte bezpečnost vyžínacího nástroje, snadný pohyb páčky plynu a správnou funkci pojistky páčky plynu.
- Vyžínací nástroj se za volnoběhu nesmí otáčet. V případě pochybností se obraťte na prodejce se žádostí o seřízení. Zkontrolujte, zda jsou držadla čistá a suchá a vyzkoušejte funkci přepínače start/stop.

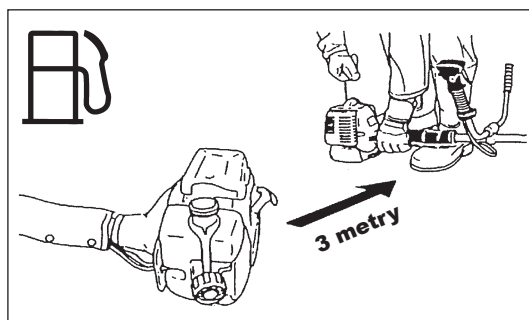
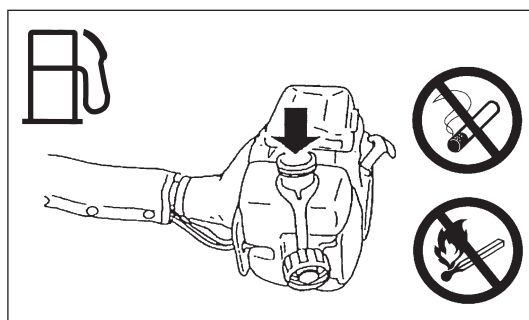
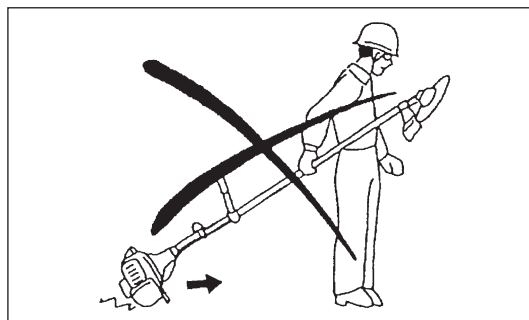
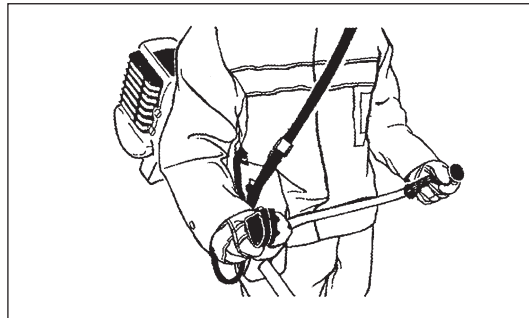
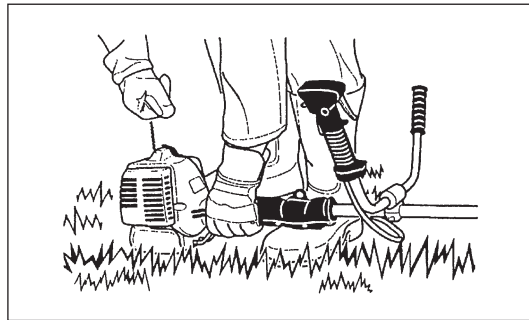


Křovinořez startujte pouze v souladu s pokyny.

- Nepoužívejte žádné jiné metody startování motoru!
- Křovinořez a nástroje používejte pouze k určeným účelům.
- Motor startujte teprve po kompletním smontování celku. Obsluha zařízení je přípustná teprve po namontování veškerého odpovídajícího příslušenství!
- Před nastartováním se ujistěte, zda není vyžínací nástroj v žádném kontaktu s pevnými předměty, například s větvelemi, kameny atd., neboť vyžínací nástroj se po startu uvede do pohybu.
- V případě jakýchkoli problémů s motorem je nutné motor okamžitě vypnout.
- Jestliže vyžínací nástroj narazí do kamenů či jiných tvrdých předmětů, vypněte motor a vyžínací nástroj ihned prohlédněte.
- Vyžínací nástroj pravidelně a v krátkých intervalech kontrolujte, zda není poškozený (vlasové trhliny zjistíte sluchem při poklepání).
- Jestliže zařízení utrpí prudký náraz nebo pokud upadne, zkontrolujte před obnovením práce jeho stav. Překontrolujte, zda z palivového systému neuniká palivo a zda nedošlo k poruše ovládacích prvků a bezpečnostního zařízení. V případě zjištění poškození či v pochybnostech požádejte o prohlídku a opravu naše autorizované servisní středisko.
- Zařízení používejte pouze s připevněným zádovním postrojem, jenž je třeba před uvedením křovinořezu do provozu vhodně upravit. Nastavení zádového postroje podle velikosti uživatele je nutné k omezení námahy během práce. Při práci nářadí nikdy nedejte jen jednou rukou.
- Křovinořez držte při práci vždy oběma rukama. Vždy si zajistěte bezpečný postoj.
- Se zařízením pracujte tak, abyste nevdechovali výfukové plyny. Motor nikdy nenechávejte běžet v uzavřených místnostech (nebezpečí otravy výfukovými plyny). Oxid uhelnatý je plyn bez zápachu.
- Při odpočinku a při ponechání zařízení bez dozoru vypněte motor a nářadí uložte na bezpečném místě, abyste zamezili ohrožení ostatních osob či poškození zařízení.
- Rozehřátý křovinořez nikdy nepokládejte do suché trávy ani na žádné hořlavé materiály.
- Před spuštěním motoru vždy na zařízení nainstalujte schválený kryt vyžínacího nástroje. Bez krytu by mohl kontakt s vyžínacím nástrojem způsobit vážné zranění.
- Během provozu musí být použity všechny ochranné prvky a kryty dodané k zařízení.
- Nikdy nepracujte se zařízením s vadným tlumičem výfuku.
- Při přenášení zařízení vypněte motor.
- Při transportu zařízení vždy nasadte na vyžínací nástroj kryt.
- Při převozu autem zajistěte bezpečnou polohu zařízení, aby nedošlo k úniku paliva.
- Při transportu zajistěte kompletní vyprázdnění palivové nádrže.
- Při vykládání z auta zařízení nikdy nepouštějte motorem na zem, neboť by mohlo dojít k vážnému poškození palivové nádrže.
- Kromě případu nouze zařízení nikdy nepouštějte ani neodhazujte na zem, neboť by se mohlo vážně poškodit.
- Při přenášení neopomeňte zvedat ze země celé zařízení. Vlečení palivové nádrže po zemi je velmi nebezpečné – může způsobit poškození nádrže, únik paliva a vznik požáru.

## Doplňování paliva

- Při doplňování paliva vypněte motor, nepřibližujte se k otevřenému ohni a nekuřte.
- Zamezte kontaktu produktů z minerálních olejů s pokožkou. Nevdechujte výpary paliva. Při doplňování paliva vždy používejte ochranné rukavice. Ochranný oděv v pravidelných intervalech vyměňujte a perte.
- Počítejte si opatrně, abyste rozlítím paliva nebo oleje nezpůsobili kontaminaci půdy (chraňte životní prostředí). Křovinořez při potřísnění palivem okamžitě očistěte.
- Zamezte kontaktu oděvu s palivem. Při polížení palivem si oděv okamžitě vyměňte (zamezte možnosti vzplanutí).
- Pravidelně kontrolujte víčko palivové nádrže. Ujistěte se tak, že je správně dotaženo a palivo neuniká.
- Víčko palivové nádrže pečlivě dotáhněte. Při startování motoru změňte polohu (postavte se alespoň 3 metry od místa doplňování paliva).
- Palivo nikdy nedoplňujte v uzavřených místnostech. Výpary paliva se shromažďují nízko nad povrchem (nebezpečí výbuchu).
- Palivo přepravujte a skladujte pouze ve schválených nádobách. Zajistěte, aby ke skladovanému palivu neměly přístup děti.



## Provoz

- Pracujte pouze za dobrého světla a viditelnosti. V zimním období dejte pozor na kluzká a vlhká místa s ledem a sněhem (nebezpečí uklouznutí). Vždy si zajistěte bezpečný postoj.
- Nikdy nepracujte nad úrovní pasu.
- Nikdy nepracujte na žebříku.
- Nikdy nešplhejte na stromy za účelem prořezávání.
- Nikdy nepracujte na nestabilních plochách.
- Z pracovního prostoru odstraňte písek, kameny, hřebíky apod. Cizorodá tělesa mohou poškodit vyžínací nástroj a způsobit nebezpečný zpětný ráz.
- Před zahájením práce musí být vyžínací nástroj uveden do plných pracovních otáček.
- Při používání kovových nožů otáčejte nářadím rovnoměrně v půlkruzích zprava doleva, podobně jako při práci s kosou. Jestliže se do vyžínacího nástroje a krytu zachytí tráva či větve, vypněte vždy před jejich odstraňováním motor. Rotující nástroj by totiž mohl obsluze způsobit vážné zranění.
- Odpočívejte – zamezte tak ztrátě kontroly vinou únavy. Doporučujeme 10–20minutový odpočinek po každé hodině práce.

## Vyžínací nástroje

- Pro vykonávanou práci použijte příslušný vyžínací nástroj. Strunové hlavy (s nylonovou sekací strunou) jsou vhodné k sekání trávniku. Kovové nože se hodí k sekání plevele, vysoké trávy, křovin, keřů, mlází, houští apod. Nikdy nepoužívejte žádné jiné nástroje včetně kovových vícedílných řetízkových hlav a cepových nožů. V opačném případě může dojít k vážným zraněním.
- Při práci s kovovými noži dávejte pozor na „zpětné rázy“ a na náhodný zpětný ráz buďte vždy připraveni. Viz část „Zpětný ráz“ a „Předcházení zpětnému rázu“.

## Zpětný ráz (odskočení nože)

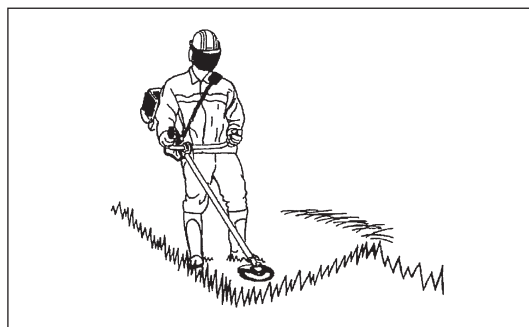
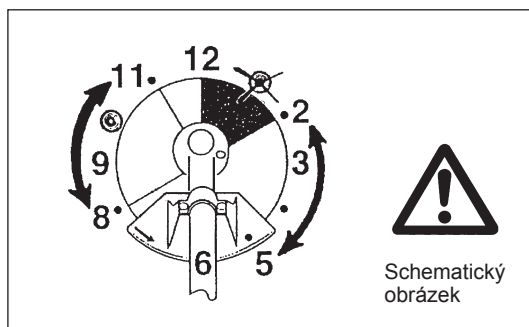
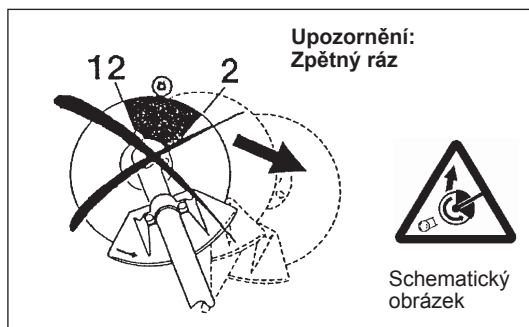
- Zpětný ráz (odskočení nože) je náhlou reakcí na skřípnutí či zaseknutí nože. Jestliže ke zpětnému rázu dojde, může být zařízení značnou silou odmrštěno stranou či směrem k obsluze a může způsobit vážné zranění.
- Ke zpětnému rázu dochází zvláště při práci nože v segmentu mezi 12. a 2. hodinou a kontaktu s pevnou překážkou, křovinami či kmeny o průměru 3 cm či více.
- Jak zamezit zpětnému rázu:
  - pracujte v segmentu mezi 8. a 11. hodinou,
  - nikdy nepracujte v segmentu mezi 12. a 2. hodinou,
  - nikdy nepracuje v segmentu mezi 11. a 12. hodinou a mezi 2. a 5. hodinou, výjimku tvoří dobře školená a zkušená obsluha pracující takto na vlastní nebezpečí,
  - nože nikdy nesměrujte na pevné objekty jako ploty, zdi, pařezy či kameny,
  - s noži nikdy nepracujte svisle – k zařezávání či zastřihování živých plotů.

## Vibrace

- Osoby se slabším krevním oběhem vystavené přílišným vibracím mohou utrpět zranění cévního či nervového systému. Vibrace mohou na prstech, ruce či zápěstích vyvolat následující příznaky: „ochablost“ (necitlivost), mravenčení, bolest, bodavá bolest, změna barvy či stavu pokožky. Trpíte-li jakýmkoli z těchto příznaků, vyhledejte lékaře!
- K zamezení vzniku oběhových problémů (Reynaudovy choroby) udržujte ruce při práci v teple a zajistěte dobrou údržbu zařízení i příslušenství.

## Pokyny k údržbě

- Servis zařízení svěďte našemu autorizovanému servisnímu středisku a vždy používejte pouze originální náhradní díly. Nesprávně provedené opravy či nedostatečná údržba mohou zkrátit životnost zařízení či zvýšit nebezpečí nehody.
- Před zahájením práce je nutné zkontrolovat stav nářadí, zvláště pak vyžínacího nástroje, ochranných zařízení a záďového postroje. Zvláštní pozornost je třeba věnovat nožům, jež musejí být správně naostřeny.
- Při výměně či ostření vyžínacích nástrojů a také při čištění nářadí či vyžínacího nástroje vypněte motor a odpojte konektor zapalovací svíčky.



## Poškozené vyžínací nástroje nikdy nerovnejte a nesvařujte.

- Buďte ohleduplní vůči životnímu prostředí. Vyvarujte se zbytečného používání páčky plynu – omezíte tak úroveň znečištění i emise hluku. Proveďte správné seřízení karburátoru.
- Zařízení pravidelně čistěte a kontrolujte, zda jsou dobře dotaženy všechny šrouby a matice.
- V blízkosti otevřeného ohně nikdy neprovádějte údržbu ani skladování zařízení.
- Zařízení vždy skladujte v uzamčených místnostech a s vyprázdněnou palivovou nádrží.
- Při čištění, údržbě a skladování zařízení vždy nasadte na vyžínací nástroj kryt.



Dodržujte náležitá pokyny o bezpečnosti práce vydávané příslušnými obchodními sdruženími a pojišťovny. Zařízení nijak neupravujte, ohrozili byste vlastní bezpečnost.

Provádění údržby či oprav uživatelem je omezeno na aktivity předepsané v návodu k obsluze. Všechny ostatní práce svěřte zástupcům autorizovaného servisu. Používejte pouze originální náhradní díly a nástavce zajištěné a dodané společností MAKITA.

Použití neschválených nástavců a nástrojů představuje zvýšené nebezpečí úrazu.

Společnost MAKITA nepřijímá žádnou odpovědnost za nehody či škody způsobené použitím neschválených vyžínacích nástrojů, upevňovacích zařízení vyžínacích nástrojů či příslušenství.

## První pomoc

Pro případ nehody zajistěte, aby byla v blízkosti vykonávaných prací k dispozici lékárnička. Použitý obsah lékárničky je nutno okamžitě nahradit.

## Při povolávání pomoci poskytněte následující informace:

- Místo nehody
- Co se stalo
- Počet zraněných osob
- Druh zranění
- Uveďte své jméno



---

Pouze pro evropské země

## ES prohlášení o shodě

**Společnost Makita Corporation jako odpovědný výrobce prohlašuje, že níže uvedené zařízení Makita:**

popis zařízení: Motorový křovinořez

č. modelu/typ: EBH252U, EBH253U, EBH252L, EBH253L

Technické údaje: viz tabulka „TECHNICKÁ DATA“

vychází ze sériové výroby

**a vyhovuje následujícím evropským směrnicím:**

2000/14/ES, 2006/42/ES

a bylo vyrobeno v souladu s následujícími normami či normativními dokumenty:

EN ISO 11806-1

Technická dokumentace je k dispozici na adrese:

Makita International Europe Ltd., Technical Department,

Michigan Drive, Tongwell, Milton Keynes, Bucks MK15 8JD, England

Postup posuzování shody vyžadovaný směrnicí 2000/14/ES byl v souladu s přílohou V.

Naměřená hladina akustického výkonu: 109,3 dB

Zaručená hladina akustického výkonu: 111 dB

19. 12. 2008



Tomoyasu Kato  
Ředitel

Makita Corporation  
3-11-8, Sumiyoshi-cho,  
Anjo, Aichi, JAPAN

## TECHNICKÁ DATA EBH252U, EBH252L

Model		EBH252U		EBH252L	
		Řídková držadla		Obloukové držadlo	
Rozměry: délka x šířka x výška (bez nože)	mm	1 770 x 620 x 490		1770 x 330 x 275	
Hmotnost (bez plastového krytu a nože)	kg	5,7		5,3	
Objem (palivová nádrž)	l	0,5			
Objem (olejová nádrž)	l	0,08			
Zdvihový objem motoru	cm <sup>3</sup>	24,5			
Maximální výkon motoru	kW	0,71 při 7 000 min <sup>-1</sup>			
Otáčky motoru při doporučených maximálních otáčkách výstupního hřídele	min <sup>-1</sup>	8 500			
Maximální otáčky hřídele (odpovídající)	min <sup>-1</sup>	6 500			
Maximální spotřeba paliva	kg/h	0,33			
Maximální měrná spotřeba paliva	g/kWh	408			
Volnoběžné otáčky	min <sup>-1</sup>	3 000			
Karburátor	typ	WALBRO WYL			
Systém zapalování	typ	Tranzistorové zapalování			
Zapalovací svíčka	typ	NGK CMR4A			
Vzdálenost elektrod	mm	0,7 - 0,8			
Vibrace dle ISO 22867	Pravé držadlo (zadní rukojeť)	$a_{hv\ eq}$	m/s <sup>2</sup>	2,5	5,0
		Nejistota K	m/s <sup>2</sup>	0,58	1,23
	Levé držadlo (přední rukojeť)	$a_{hv\ eq}$	m/s <sup>2</sup>	2,9	4,3
		Nejistota K	m/s <sup>2</sup>	0,37	0,36
Průměrná hladina akustického tlaku dle ISO 22868	$L_{PA\ eq}$	dB(A)	97,1		
	Nejistota K	dB(A)	2,4		
Průměrná hladina akustického výkonu dle ISO 22868	$L_{WA\ eq}$	dB(A)	106,3		
	Nejistota K	dB(A)	1,2		
Palivový		Automobilový benzín			
Motorový olej		Olej SAE 10W-30 dle klasifikace API, třída SF či vyšší (automobilový olej pro čtyřdobé motory)			
Vyžínací nástroje (průměr nože)	mm	230			
Převodový poměr		14/19			

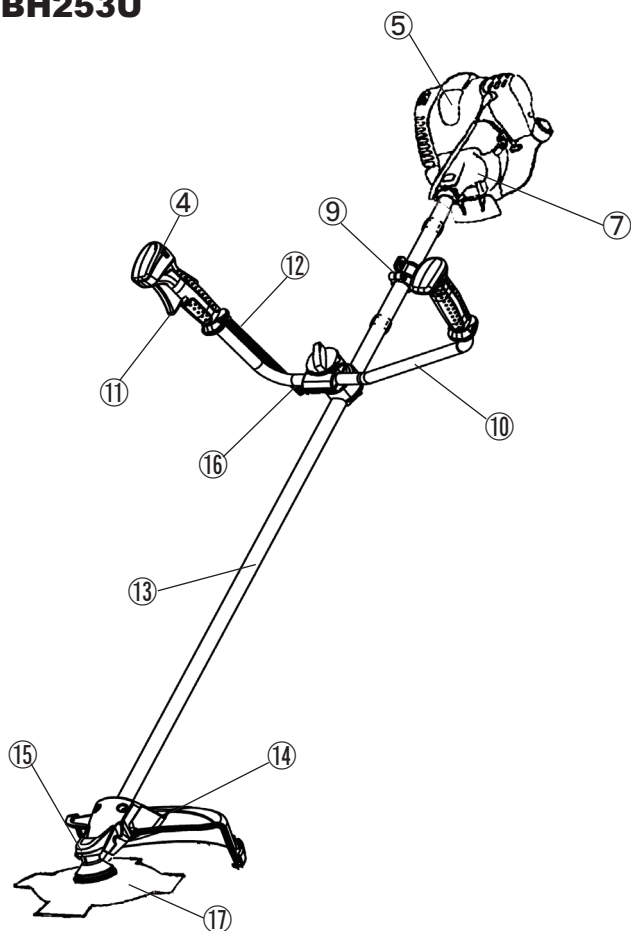


## TECHNICKÁ DATA EBH253U, EBH253L

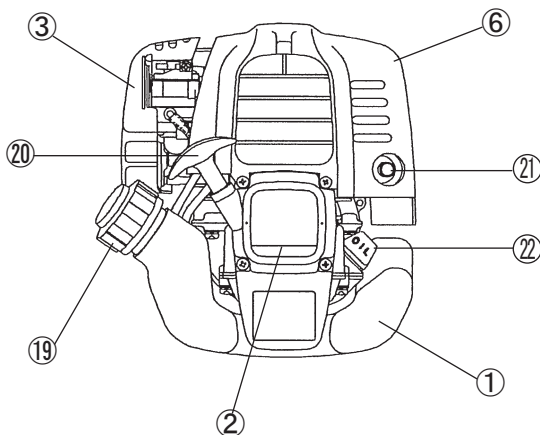
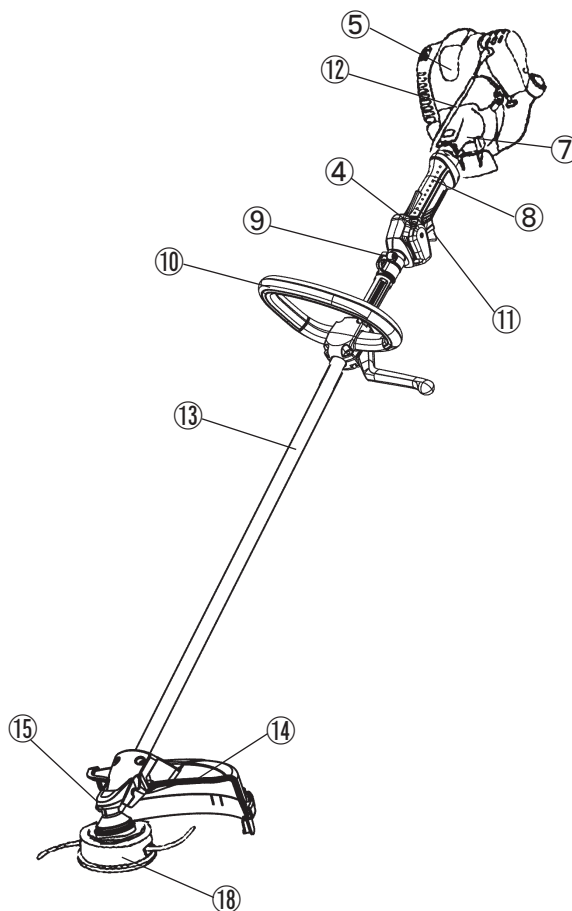
Model		EBH253U		EBH253L	
		Řídková držadla		Obloukové držadlo	
Rozměry: délka x šířka x výška (bez nože)	mm	1 770 x 620 x 490		1770 x 330 x 275	
Hmotnost (bez plastového krytu a nože)	kg	5,9		5,4	
Objem (palivová nádrž)	l	0,5			
Objem (olejová nádrž)	l	0,08			
Zdvihový objem motoru	cm <sup>3</sup>	24,5			
Maximální výkon motoru	kW	0,71 při 7 000 min <sup>-1</sup>			
Otáčky motoru při doporučených maximálních otáčkách výstupního hřídele	min <sup>-1</sup>	8 500			
Maximální otáčky hřídele (odpovídající)	min <sup>-1</sup>	6 500			
Maximální spotřeba paliva	kg/h	0,33			
Maximální měrná spotřeba paliva	g/kWh	408			
Volnoběžné otáčky	min <sup>-1</sup>	3 000			
Karburátor	typ	WALBRO WYL			
Systém zapalování	typ	Tranzistorové zapalování			
Zapalovací svíčka	typ	NGK CMR4A			
Vzdálenost elektrod	mm	0,7 - 0,8			
Vibrace dle ISO 22867	Pravé držadlo (zadní rukojeť)	$a_{hv\ eq}$	m/s <sup>2</sup>	2,6	5,3
		Nejistota K	m/s <sup>2</sup>	0,83	1,22
	Levé držadlo (přední rukojeť)	$a_{hv\ eq}$	m/s <sup>2</sup>	2,3	4,4
		Nejistota K	m/s <sup>2</sup>	0,52	0,21
Průměrná hladina akustického tlaku dle ISO 22868	$L_{PA\ eq}$	dB(A)	97,1		
	Nejistota K	dB(A)	2,4		
Průměrná hladina akustického výkonu dle ISO 22868	$L_{WA\ eq}$	dB(A)	106,3		
	Nejistota K	dB(A)	1,2		
Palivový		Automobilový benzín			
Motorový olej		Olej SAE 10W-30 dle klasifikace API, třída SF či vyšší (automobilový olej pro čtyřdobé motory)			
Vyžínací nástroje (průměr nože)	mm	230			
Převodový poměr		14/19			

## POPIS DÍLŮ

**EBH252U  
EBH253U**



**EBH252L  
EBH253L**



CZ	POPIS DÍLŮ
1	Palivová nádrž
2	Lankový startér
3	Vzduchový filtr
4	Přepínač I-O (zap./vyp.)
5	Zapalovací svíčka
6	Tlumič výfuku
7	Pouzdro spojky
8	Zadní rukojeť
9	Závěs
10	Držadlo
11	Ovládací páčka
12	Ovládací lanko
13	Hřídel
14	Ochranný kryt (kryt vyžínacího nástroje)
15	Pouzdro převodovky/pouzdro hlavy
16	Konzola držadla
17	Nůž
18	Strunová hlava
19	Víčko plnicího otvoru paliva
20	Startovací madlo
21	Výfuk
22	Olejevá měrka

## MONTÁŽ DRŽADLA

UPOZORNĚNÍ: Před prováděním jakýchkoli prací na motorovém křovinořezu vždy vypněte motor a odpojte konektor zapalovací svíčky.  
Vždy noste ochranné rukavice!

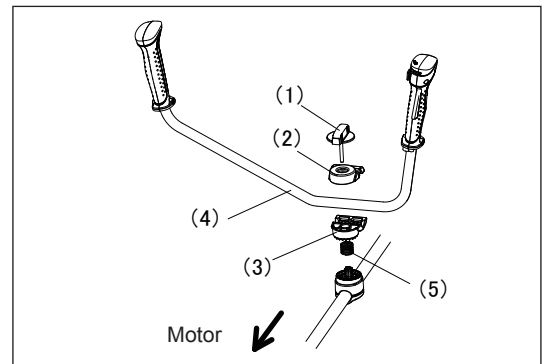
UPOZORNĚNÍ: Motorový křovinořez startuje teprve po kompletním sestavení.



### Informace k modelům s říditkovými držadly

- Povolte knoflík (1).
- Držadlo (4) umístěte mezi příchytku (2) a konzolu držadla (3).
- Držadlo (4) upravte do úhlu umožňujícího pohodlnou pracovní polohu a pak jej pevně zajistěte ručním dotažením knoflíku (1).

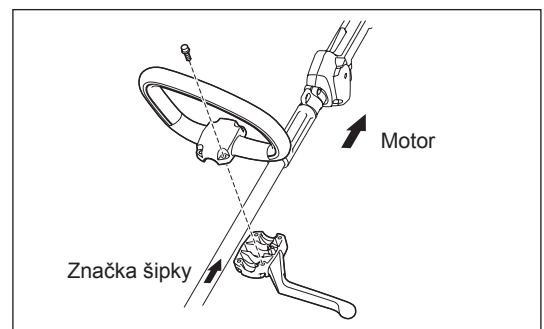
UPOZORNĚNÍ: Nezapomeňte namontovat pružinu (5).



### Platí pro zařízení s obloukovým držadlem

- K levé straně zařízení upevněte držadlo se zábranou k ochraně obsluhy.
- Ujistěte se, zda je mezi rozpěrkou a značkou šipky nasazena sestava rukojeti/zábrany.

VAROVÁNÍ: Rozpěrku nesnímejte a nezmenšujte. Rozpěrka zajišťuje určitou vzdálenost mezi oběma rukama. Nastavení sestavy rukojeti/zábrany do přílišné blízkosti druhého držadla mimo délku rozpěrky může způsobit ztrátu kontroly a vážné zranění.



## MONTÁŽ OCHRANNÉHO KRYTU

V rámci platných bezpečnostních ustanovení musí být použity pouze kombinace nástroje a ochranného krytu uvedené v tabulce.

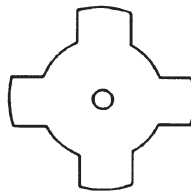


### Používejte pouze originální nože či strunové hlavy MAKITA.

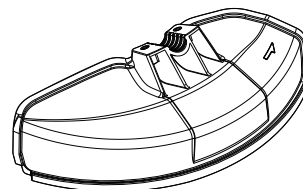
- Nůž musí být dobře nabroušený, bez prasklin a lomů. Narazí-li nůž během práce na kámen, vypněte motor a nůž ihned zkontrolujte.
- Po každých třech hodinách provozu nůž naostřete nebo vyměňte.
- Narazí-li strunová hlava během práce na kámen, vypněte motor a strunovou hlavu ihned zkontrolujte.

**UPOZORNĚNÍ:** K zajištění vlastní bezpečnosti a v rámci vyhovění předpisům bezpečnosti práce musí být vždy namontován příslušný ochranný kryt. Práce se zařízením bez nasazeného ochranného krytu není dovolena. Vnější průměr nože musí být 230 mm (9-1/16"). Nikdy nepoužívejte žádné nože s vnějším průměrem přesahujícím 230 mm (9-1/16").

Kovový nůž



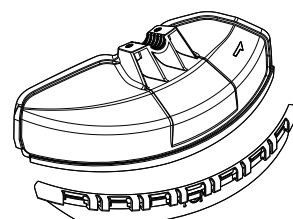
Ochranný kryt pro kovové nože



Strunová hlava

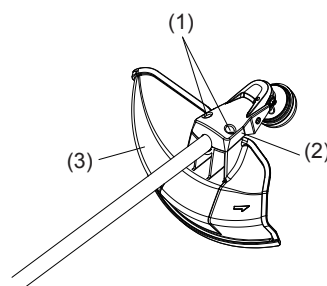


Ochranný kryt pro strunovou hlavu



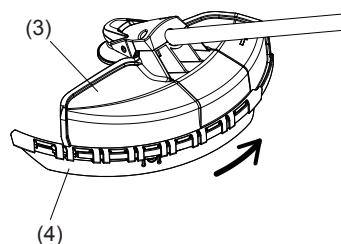
- Při použití kovového nože připevněte ochranný kryt (3) k příchytce (2) dvěma šrouby M 6 x 30 (1).

**POZNÁMKA:** Pravý a levý šroub dotáhněte rovnoměrně, aby byla mezera mezi příchytkou (2) a ochranným krytem (3) stejná. V opačném případě ochranný kryt pravděpodobně nebude plnit určenou funkci.

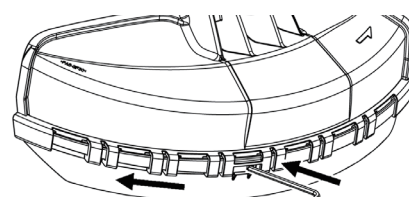


- Při použití strunové hlavy se ujistěte, zda jste na ochranný kryt pro kovové nože (3) namontovali ochranný kryt pro strunovou hlavu (4).
- Ochranný kryt strunové hlavy (4) namontujte nasunutím na místo ze strany po ochranném krytu pro kovové nože (3) tak, jak je znázorněno na obrázku.
- Z ochranného krytu (4) strunové hlavy sejměte pásku přilepenou na řezací ploše nylonové struny.

**UPOZORNĚNÍ:** Ujistěte se, zda jste ochranný kryt strunové hlavy (4) zcela dotlačili do správné polohy. Počínejte si opatrně, abyste se neporanili o řezací plochu nylonové struny.



- Při snímání ochranného krytu strunové hlavy (4) zasuňte imbusový klíč do drážky v ochranném krytu pro kovové nože (3), zatlačte na něj a současně vysuňte ochranný kryt strunové hlavy (4).



Šestihranný klíč

## MONTÁŽ NOŽE ČI STRUNOVÉ HLAVY

Otočte zařízení vzhůru nohama, abyste mohli nůž nebo strunovou hlavu snadno vyměnit.

- Do otvoru v pouzdru převodovky zasuňte šestihranný klíč a otáčejte unášecem (4), dokud se šestihranným klíčem nezajistí.
- Nástrčným klíčem povolte matici (1) (s levým závitem) a sejměte matici (1), víčko (2) a přítlačnou podložku (3).

### Montáž nože s šestihranným klíčem stále vloženým na místě

- Nůž namontujte na hřídel tak, aby výstupek na unášечи (4) dosedl do opěrného otvoru v noži. Namontujte přítlačnou podložku (3), víčko (2) a nůž zajistíte maticí (1).  
[Utahovací moment: 13 - 23 Nm]

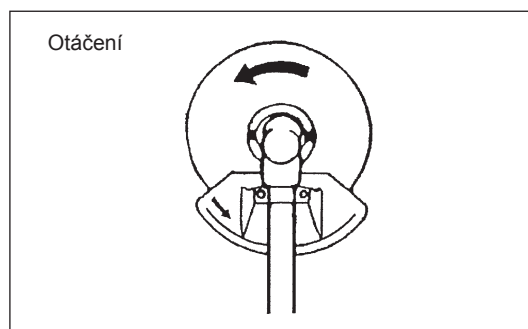
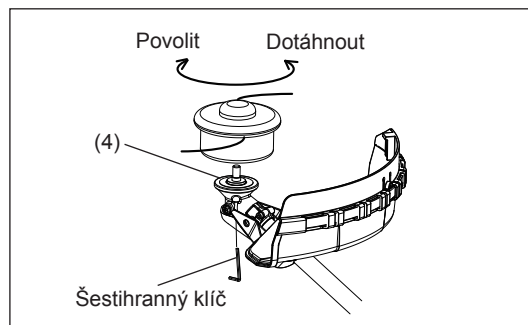
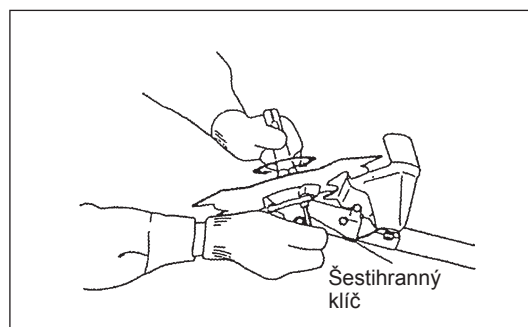
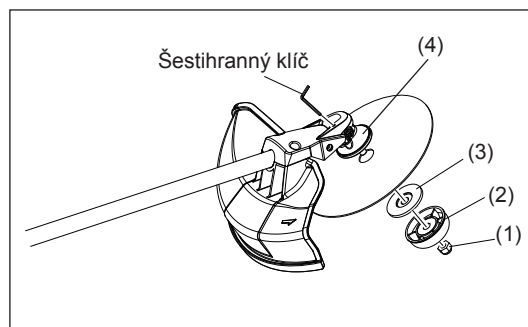
POZNÁMKA: Při manipulaci s nožem vždy používejte rukavice.

POZNÁMKA: Matice k upevnění nože (s pružnou podložkou) je spotřebním materiálem. Při opotřebení či deformaci pružné podložky matici vyměňte.

### Montáž strunové hlavy

- Při montáži strunové hlavy není nutné použít přítlačnou podložku (3), víčko (2) a matici (1). Strunovou hlavu lze nasadit přímo na unášeci (4).
- Do otvoru v pouzdru převodovky zasuňte šestihranný klíč a otáčejte unášecem (4), dokud se šestihranným klíčem nezajistí.
- Potom na hřídel otáčením doleva našroubujte strunovou hlavu.
- Vyjměte šestihranný klíč.

- Ujistěte se, zda je může nůž volně pohybovat.



## NEŽ ZAČNETE PRACOVAT

### Kontrola a doplnění motorového oleje

- Následující postup provádějte u vychladlého motoru.
- Podržte motor ve vodorovné poloze, vytáhněte olejovou měрку a zjistěte, zda je hladina oleje mezi značkami maxima a minima. Jestliže je oleje nedostatek a olejová měрка se hladiny dotýká jen špičkou, přičemž je do převodovky zasunuta bez zašroubování (obr. 1), doplňte nový olej až po plnicí otvor (obr. 2).
- Orientační interval doplnění oleje je zhruba 10 h (10 hodinový nebo 10 nádrží olejové náplně).  
Mění-li olej barvu nebo jestliže se mísí s nečistotami, vyměňte jej za nový. (Interval a způsob výměny: viz str. 180)

**Doporučený olej:** SAE 10W-30 dle klasifikace API, třída SF či vyšší (automobilový olej pro čtyřdobé motory)

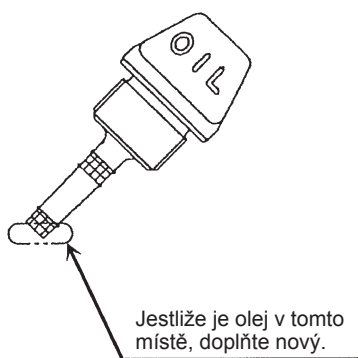
**Objem oleje:** Přibl. 0,08 l

Poznámka: Jestliže motor nebude uložen vodorovně, může olej stéci do motoru a náplň může být nadměrná.

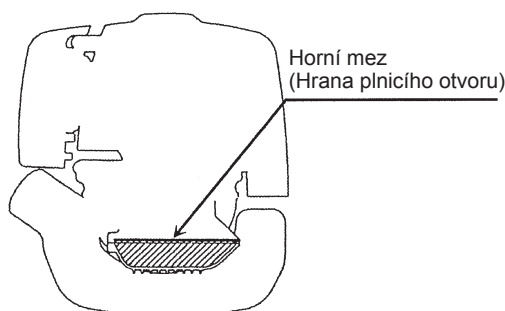
Při nadměrném doplnění oleje může dojít k jeho znečištění nebo se olej začne spalovat (vychází bílý kouř).

#### Bod č. 1 při výměně oleje: „Olejová měрка“

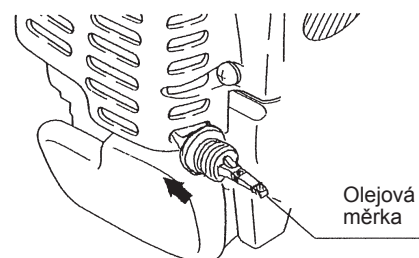
- Z okolí plnicího otvoru odstraňte prach a nečistoty a vytáhněte olejovou měрку.
- Olejovou měрку chraňte před kontaktem s pískem a prachem. Jestliže na olejové měрке ulpí písek či prach, může dojít k nepravdivé cirkulaci oleje či opotřebení dílů motoru s následnými závadami.
- Olejovou měрку můžete například uchovat v čistotě jejím zasunutím do krytu motoru tak, jak je znázorněno na obr. 3.



Obr. 1

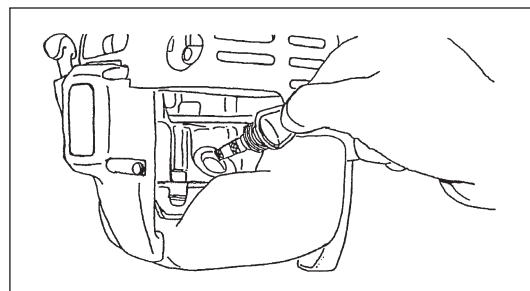


Obr. 2

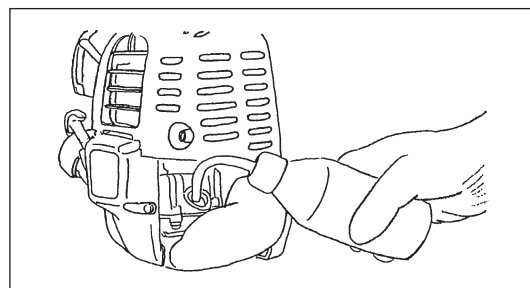


Obr. 3

(1) Přidržeťte motor ve vodorovné poloze a vytáhněte olejovou měрку.



(2) Olej doplňte až po hranu plnicího otvoru. (Viz obr. 2 na předchozí straně).  
K nalévání oleje použijte doplňovací nádobku.



(3) Olejovou měрку pevně dotáhněte. Nedostatečné dotažení může způsobit únik oleje.

### **Bod č. 2 při výměně oleje: „Jestliže olej vyteče“**

- Pokud olej vyteče mezi palivovou nádrž a hlavní jednotku motoru, nasaje se do vstupního otvoru chladicího vzduchu a dojde ke znečištění motoru. Před zahájením práce nezapomeňte rozlitý olej utřít.

## **DOPLŇOVÁNÍ PALIVA**

### **Manipulace s palivem**

S palivem je nutné zacházet maximálně opatrně. Palivo může obsahovat látky podobné rozpouštědlům. Palivo je nutné doplňovat v dostatečně ventilované místnosti nebo venku. Výpary paliva nikdy nevdechujte a palivo ukládejte stranou. Opakovaný nebo delší kontakt s palivem vysušuje pokožku a může způsobit kožní onemocnění nebo alergii. Jestliže palivo vnikne do očí, vypláchněte je čistou vodou. Zůstanou-li oči podrážděné, obraťte se na lékaře.

### **Skladovatelnost paliva**

Palivo je třeba spotřebovat do 4 týdnů, a to i v případě jeho skladování ve speciální nádobě v dobře větraném stinném prostoru. Jestliže nepoužijete speciální nádobu nebo není-li nádoba přikrytá, může se palivo znehodnotit během jednoho dne.

### **SKLADOVÁNÍ ZAŘÍZENÍ A DOPLŇOVACÍ NÁDRŽ**

- Zařízení i doplňovací nádrž uchovávejte na chladném místě mimo dosah přímého slunečního záření.
- Benzín nikdy neuchovávejte v kabině nebo v kufru auta.

### **Palivový**

Tento motor je čtyřtákní jednotkou. Ujistěte se, zda používáte automobilový benzín (obvyklý benzín nebo speciál).

### **Poznámky k palivu**

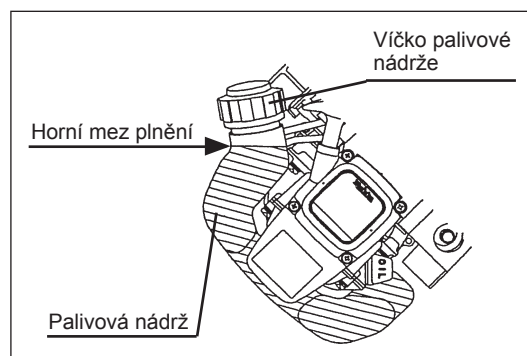
- Nikdy nepoužívejte směs benzínu s motorovým olejem. V opačném případě dojde k nadměrnému usazování karbonu či mechanickým závadám.
- Používání opotřebeného oleje způsobí nesprávné startování.

### **Doplňování paliva**

#### **UPOZORNĚNÍ: PŘÍSNÝ ZÁKAZ POUŽÍVÁNÍ HOŘLAVIN**

**Použitý benzín:** Automobilový benzín (bezolovnatý)

- Lehce povolte víčko nádrže, aby se vnitřní tlak vyrovnal s atmosférickým.
  - Sejměte víčko nádrže a doplňte palivo s nalévacím otvorem nádrže nasměrovaným nahoru tak, aby unikl vytlačovaný vzduch. (Nikdy nelijte palivo do plnicího otvoru oleje.)
  - Okolí víčka nádrže řádně otřete, abyste zamezili vniknutí nečistot do nádrže.
  - Po doplnění paliva víčko nádrže pevně dotáhněte.
- Zjistíte-li na víčku nádrže nějaké vady či poškození, vyměňte je.
  - Víčko nádrže je spotřebním materiálem a měli byste je tedy měnit každé dva až tři roky.



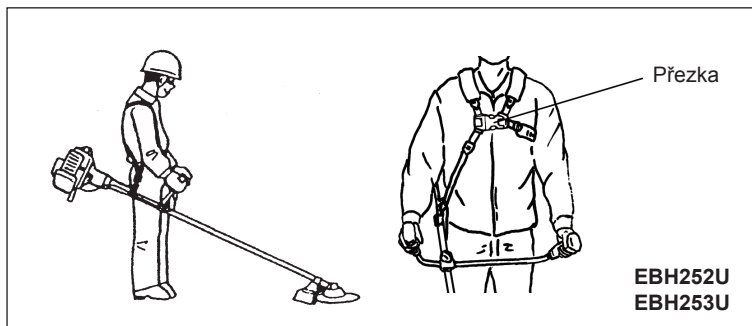
## SPRÁVNÉ ZACHÁZENÍ SE ZAŘÍZENÍM

### Připevnění popruhu přes rameno

- Nastavte délku popruhu tak, aby byl nůž v rovnoběžné poloze s terénem.

### Informace k modelům EBH252U, EBH253U

POZNÁMKA: Dejte pozor, abyste se o přezku nezachytili oděvem atd.



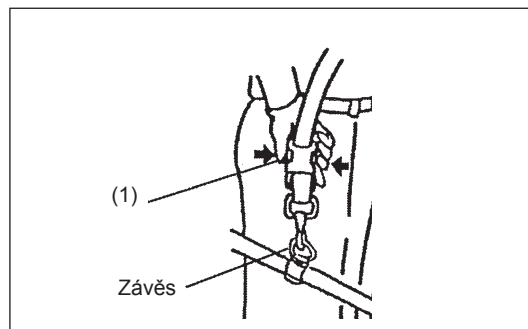
### Odpojení

### Informace k modelům EBH252L, EBH253L

- V případě nouze stiskněte západky (1) ve výřezech po obou stranách, čímž zařízení od sebe odpojíte.

Počínejte si velmi opatrně, abyste v tuto chvíli nad zařízením neztratili kontrolu. Nedovolte, aby se zařízení odklonilo směrem k vám či jakékoli osobě v blízkosti pracoviště.

UPOZORNĚNÍ: Ztráta plné kontroly nad zařízením může vést až k vážným zraněním či SMRTI.

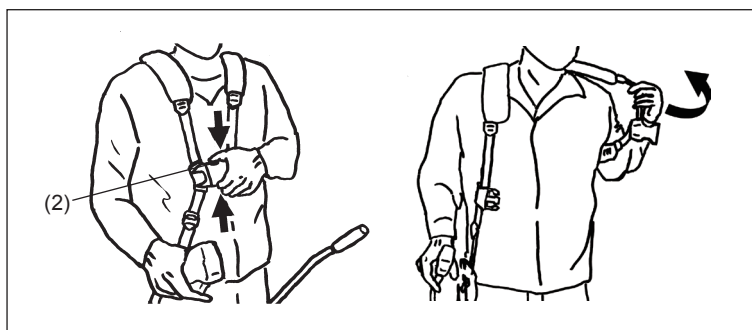


### Informace k modelům EBH252U, EBH253U

- V případě nouze stiskněte západky (2) ve výřezech po obou stranách, čímž zařízení od sebe odpojíte.

Počínejte si velmi opatrně, abyste v tuto chvíli nad zařízením neztratili kontrolu. Nedovolte, aby se zařízení odklonilo směrem k vám či jakékoli osobě v blízkosti pracoviště.

UPOZORNĚNÍ: Ztráta plné kontroly nad zařízením může vést až k vážným zraněním či SMRTI.



## OBSLUHA A ZASTAVENÍ ZAŘÍZENÍ

Dodržujte příslušné předpisy bezpečnosti práce!

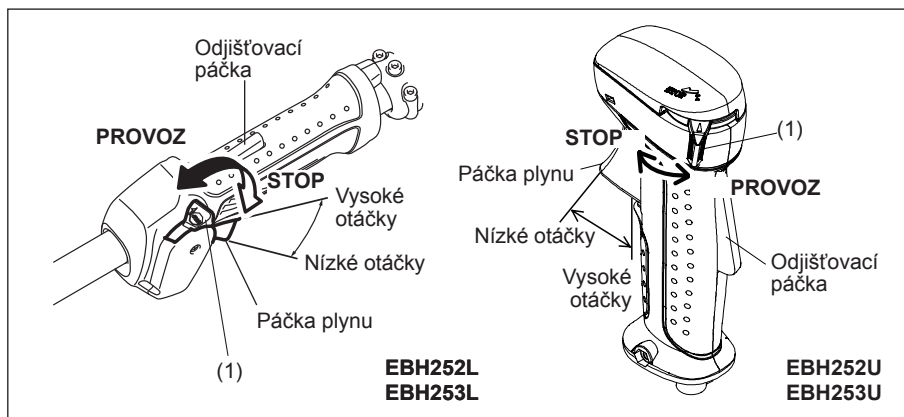


### STARTOVÁNÍ

Přesuňte se alespoň 3 m od místa doplňování paliva. Motorový křovinořez umístěte na čistou část terénu a dejte pozor, aby se vyžínací nástroj nedostal do kontaktu s terénem ani s žádným jiným předmětem.

### A: Studený start

- 1) Položte zařízení na rovnou plochu.

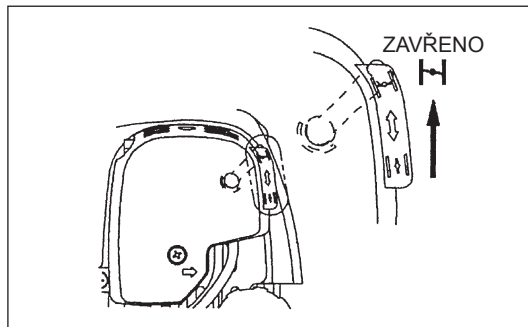




2) Přepínač I-O nastavte na (1) PROVOZ.

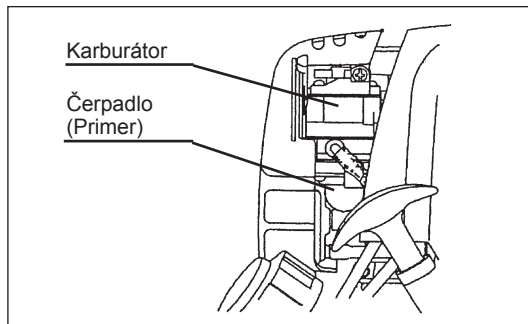
3) Páčka klapky sytiče  
Páčkou sytiče zavřete klapku.  
Otevření klapky sytiče:

- Zcela zavřít v chladném počasí nebo pokud je motor studený.
- Naplno či napůl otevřít při opětovném startu po přerušení provozu.



4) Čerpadlo (Primer)

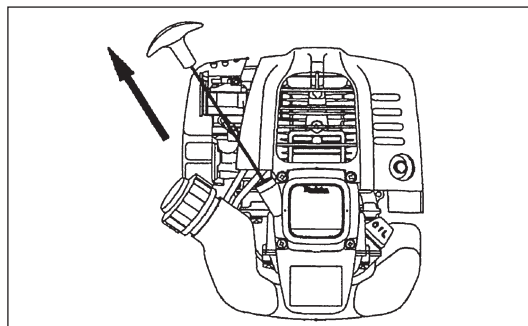
Opakovaným stlačováním balonku čerpadla dopravte do tohoto balonku palivo. (Obvykle se palivo do balonku čerpadla dostane po 5 až 10 stisknutích)  
Při přílišném stlačování balonku čerpadla se přebytek benzínu vrátí do palivové nádrže.



5) Lankový startér

Zatáhněte mírně za startovací madlo, až ucítíte odpor (bod komprese).  
Potom startovací madlo vraťte zpět a silně zatáhněte.

Lanko nikdy nevytahujte zcela. Po zatažení nepouštějte madlo nikdy ihned z ruky. Startovací madlo přidržte, až se vrátí do původní polohy.



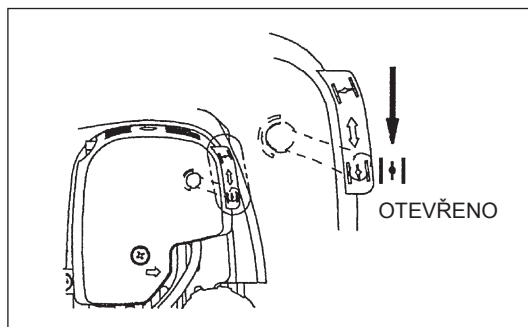
6) Páčka klapky sytiče

Po nastartování motoru otevřete páčkou sytiče klapku.

- Klapku otevírejte páčkou sytiče postupně a zároveň sledujte činnost motoru. Nakonec páčkou sytiče klapku zcela otevřete.
- Klapku páčkou sytiče nikdy neotevírejte náhle za chladného počasí nebo jestliže je motor zcela studený. Jinak se motor může zastavit.

7) Zahřátí motoru

Nechte motor 2 až 3 minuty zahřát.



Poznámka: – Při opakovaném tahání za madlo startéru s páčkou klapky sytiče ponechanou v poloze „ZAVŘENO“ nebude možné motor snadno nastartovat v důsledku přesycení palivem.

– V případě přesycení palivem vyjměte zapalovací svíčku a pomalým taháním za madlo startéru odstraňte přebytek paliva. Osušte také elektrody zapalovací svíčky.

### Upozornění k provozu:

Při plném plynu za provozu bez zátěže se otáčky motoru zvýší na 10 000 min<sup>-1</sup> či více. Nikdy nepracujte s motorem ve vyšších než požadovaných otáčkách s hodnotou přibližně 6 000 - 8 500 min<sup>-1</sup>.

## B: Startování po zahřátí

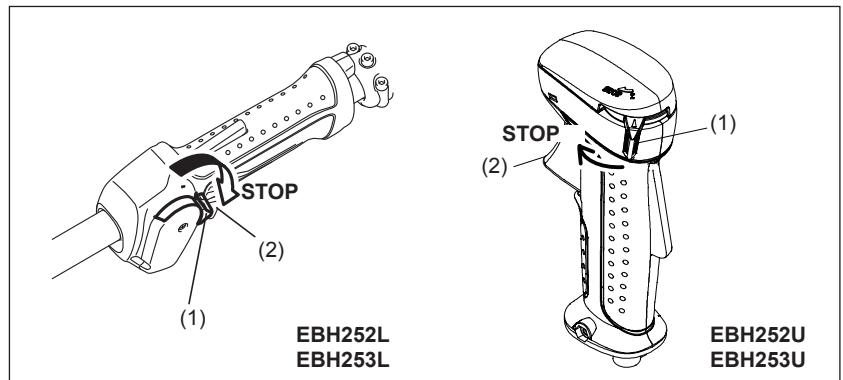
- 1) Opakovaně stlačte nastříkovač.
- 2) Páčku plynu ponechte v poloze volnoběhu.
- 3) Silně zatáhněte za lankový startér.
- 4) Nelze-li motor snadno nastartovat, otevřete klapku sytiče asi o 1/3.  
Dejte pozor na nůž, který s může otáčet.

### Upozornění k provozu

Při otočení motoru vzhůru nohama může z výfuku vycházet bílý kouř.

## ZASTAVENÍ

- 1) Zcela uvolněte páčku plynu (2) a po snížení otáček motoru nastavte přepínač I-O do polohy STOP. Motor se zastaví.
- 2) Dávejte pozor – vyžínací nástroj se nemusí okamžitě zastavit – nechte jej zcela zpomalit.

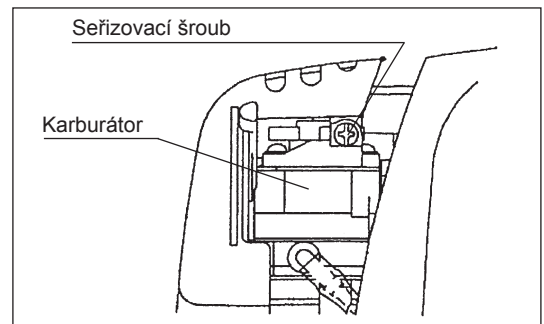


## SEŘÍZENÍ NÍZKÝCH OTÁČEK (VOLNOBĚH)

V případě nutnosti seříďte seřizovacím šroubem karburátoru nízké otáčky (volnoběh).

## KONTROLA NÍZKÝCH OTÁČEK

- Nízké otáčky nastavte na 3 000 min<sup>-1</sup>.  
V případě nutnosti změny otáček proveďte regulaci seřizovacím šroubem (je vyobrazen po pravé straně) a křížovým šroubovákem.
- Otáčením seřizovacího šroubu doprava otáčky motoru zvýšíte. Otáčením seřizovacího šroubu doleva otáčky motoru snížíte.
- Karburátor je hrubě seřízen před uvedením do prodeje. Bude-li nutné opakované seřízení, obraťte se na zástupce autorizovaného servisu.



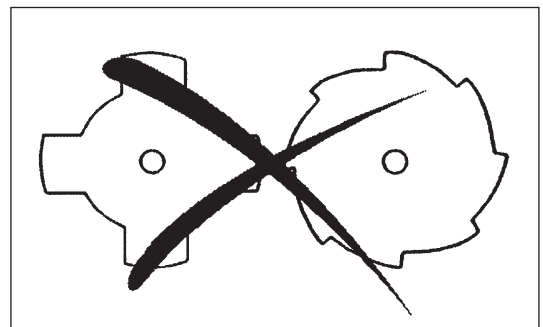
## OSTŘENÍ VYŽÍNACÍHO NÁSTROJE



UPOZORNĚNÍ: Níže uvedené vyžínací nástroje lze ostřit pouze v autorizovaných zařízeních. Důsledkem ručního ostření bude nevyváženost vyžínacího nástroje s následnými vibracemi a poškozením zařízení.

- nůž  
Služby odborného naostření a vyvážení vám poskytnou zástupci autorizovaného servisu.

POZNÁMKA: Životnost nože lze prodloužit jeho jedním otočením do doby, než se otupí obě strany.



## STRUNOVÁ HLAVA

Strunová hlava je vyžínací dvoustrunná hlava s automatickým mechanismem a mechanismem posouvání struny klepnutím o zem.

Správnou délku struny zajistí strunová hlava automaticky při změnách odstředivé síly zvyšováním či snižováním otáček. Efektivnějšího sekání měkké trávy však docílíte klepnutím strunovou hlavou o zem, čímž vysunete delší strunu tak, jak je naznačeno v části věnované provozu.

### Provoz

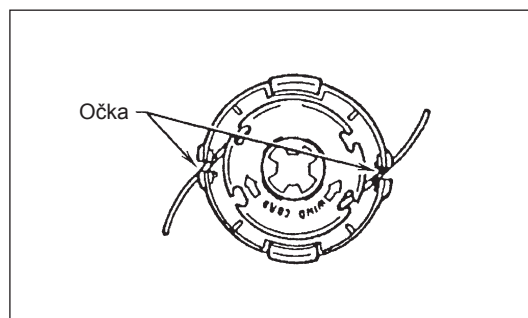
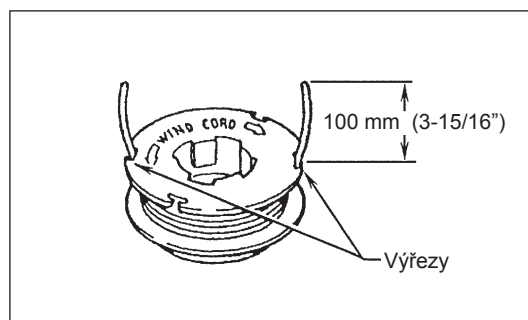
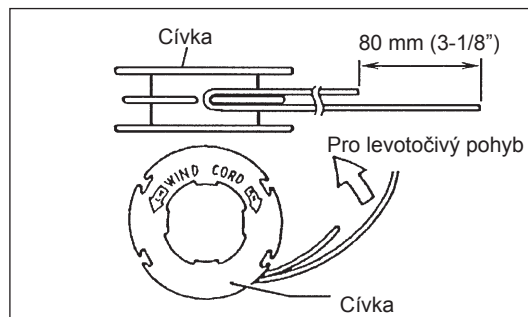
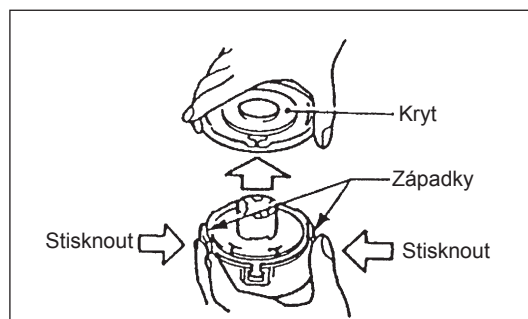
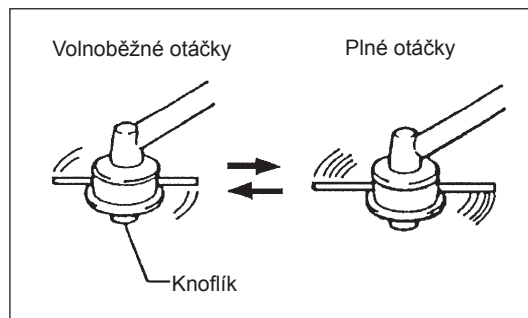
- Zvyšte otáčky strunové hlavy na přibližně 6 000 min<sup>-1</sup>.  
Nízké otáčky (pod 4 800 min<sup>-1</sup>) nejsou vhodné – nylonová struna se za nízkých otáček nevysune správně.
- Nejeektivnější vyžínací oblast je naznačena šrafováním.

Jestliže se nylonová struna nevysune automaticky, postupujte následovně:

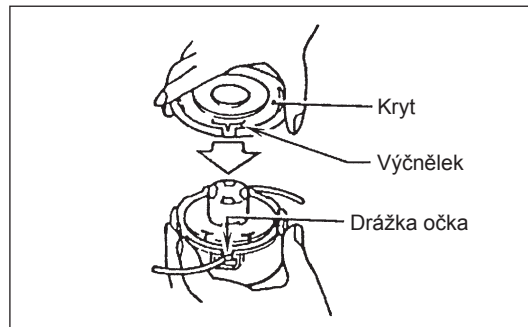
1. Uvolněte páčku plynu, uveďte zařízení do volnoběhu a pak páčku plynu stiskněte naplno. Opakujte tento postup, až se nylonová struna vysune ve správné délce.
2. Jestliže je nylonová struna příliš krátká na to, aby se provedením výše uvedeného postupu automaticky vysunula, vysuňte strunu klepnutím knoflíkem strunové hlavy o zem.
3. Pokud se nylonová struna provedením postupu č. 2 nevysune, přeвиňte či vyměňte nylonovou strunu podle postupu popsáno v části „Výměna nylonové struny“.

### Výměna nylonové struny

- Nejprve vypněte motor.
- Stiskněte západky v plášti směrem dovnitř, zvedněte kryt a pak vyjměte cívku.
- Střed nové nylonové struny zahákněte do výřezu ve středu cívky s jedním koncem přečnivajícím asi o 80 mm (3-1/8") více než druhý. Potom oba konce pevně naviňte kolem cívky ve směru otáčení hlavy (levý směr naznačuje značka LH a pravý směr značka RH na straně cívky).
- Naviňte struny kompletně kromě zhruba 100 mm (3-15/16") a konce dočasně zahákněte přes výřez na straně cívky.
- Cívku namontujte do pláště tak, aby drážky a výčnělky v cívce dosedly do odpovídajících míst v plášti. Stranu s písmeny na cívce nechte viditelnou nahoře. Nyní odhákne konce struny z dočasných poloh a struny protáhněte očka tak, aby vyčnívaly z pláště.



- Výčnělek na spodní straně krytu vyrovnejte s drážkami oček. Potom kryt pevným natlačením na plášť zajistíte na místě.



## SERVISNÍ POKYNY

**UPOZORNĚNÍ:** Před prováděním jakýchkoli prací na motorový křovinořez vždy vypněte motor a odpojte konektor zapalovací svíčky (viz „kontrola zapalovací svíčky“).  
Vždy noste ochranné rukavice!

K zajištění dlouhé životnosti a zamezení poškození zařízení pravidelně provádějte následující údržbu.

### Každodenní kontrola a údržba

- Před zahájením činnosti zkontrolujte, zda nejsou u zařízení povolené šrouby a zda nechybí žádné části. Zvláštní pozornost věnujte dotažení nože či strunové hlavy.
- Před zahájením provozu vždy zkontrolujte, zda nejsou ucpané chladicí vzduchové kanály a žebra válce. V případě nutnosti tato místa vyčistěte.
- Následující práce provádějte denně po skončení práce:
  - Očistěte vnější části motorového křovinořezu a zkontrolujte, zda nedošlo k poškození.
  - Vyčistěte vzduchový filtr. Při práci v mimořádně prašném prostředí filtr vyčistěte i několikrát za den.
  - Zkontrolujte, zda nejsou nůž či strunová hlava poškozeny a ujistěte se, zda jsou pevně namontovány.
  - Zkontrolujte, zda je mezi volnoběžnými otáčkami a otáčkami sepnutí spojky dostatečný rozdíl, aby bylo zajištěno, že se ve volnoběžných otáčkách motoru nebude vyžínací nástroj pohybovat (v případě nutnosti volnoběžné otáčky omezte). Bude-li se za volnoběhu nástroj namísto klidu otáčet, obraťte se na nejbližšího zástupce autorizovaného servisu.
- Zkontrolujte funkci přepínače I-O, odjišťovací páčky, ovládací páčky a zajišťovacího tlačítka.

### VÝMĚNA MOTOROVÉHO OLEJE

Opotřebený motorový olej značnou měrou zkracuje životnost kluzných a otáčivých dílů. Nezapomínejte kontrolovat dobu a počet výměn.



**POZOR:** Hlavní jednotka motoru a motorový olej jsou po vypnutí motoru horké. Při výměně oleje zkontrolujte, zda jsou hlavní jednotka motoru a motorový olej dostatečně vychladlé. V opačném případě se vystavíte nebezpečí opaření.

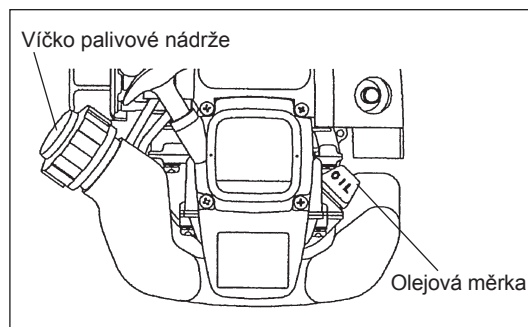
**Poznámka:** Při nadměrném doplnění oleje může dojít k jeho znečištění nebo se olej začne spalovat (vychází bílý kouř).

**Interval výměny:** Zpočátku každých 20 hodin provozu a následně po každých 50 hodinách provozu

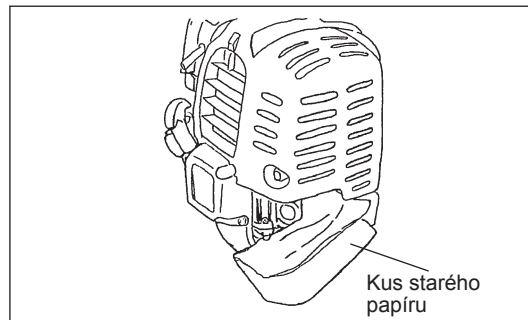
**Doporučený olej:** SAE 10W-30 dle klasifikace API, třída SF či vyšší (automobilový olej pro čtyřdobé motory)

Při výměně oleje postupujte následovně.

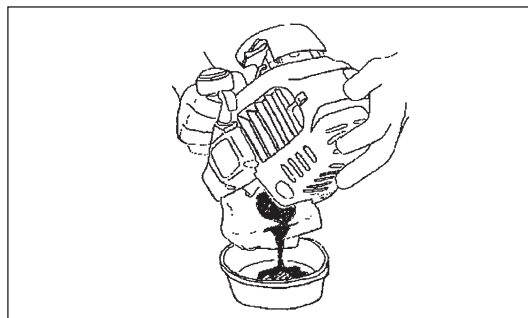
- 1) Ujistěte se, zda je víčko nádrže pevně dotaženo.
- 2) Vyjměte olejovou měрку. Olejovou měрку chraňte před kontaktem s prachem a nečistotami.



3) Do blízkosti plnicího otvoru oleje umístěte kus starého papíru.



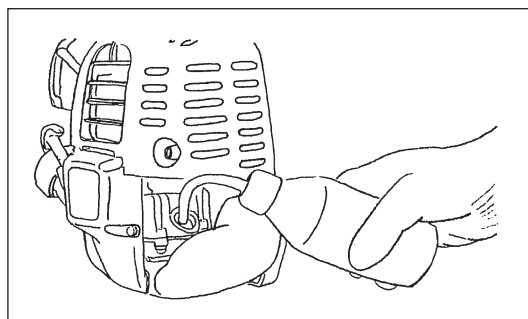
4) Vytáhněte olejovou měрку a nakloněním hlavní jednotky k plnicímu otvoru vypusťte olej.  
Olej vypusťte do nádoby určené k řádné likvidaci.



5) Přidržeťte motor ve vodorovné poloze a doplňte nový olej až po hranu plnicího otvoru.

K doplňování použijte doplňovací nádobku.

6) Po doplnění pevně dotáhněte olejovou měрку. Nedostatečné dotažení olejové měrky způsobí únik oleje.



### INFORMACE K OLEJI

- Starý olej nikdy nevyhazujte do domácího odpadu, nevlévejte jej na zem ani do kanalizace. Likvidace oleje se řídí zákonem. Při likvidaci vždy dodržujte příslušné zákony a směrnice. V případě jakýchkoli pochybností se obraťte na zástupce autorizovaného servisu.
- Olej ztrácí kvalitu i přesto, že není používán. Prohlídku a výměnu oleje provádějte pravidelně (olej vyměňujte za nový každých 6 měsíců).

### ČIŠTĚNÍ VZDUCHOVÉHO FILTRU



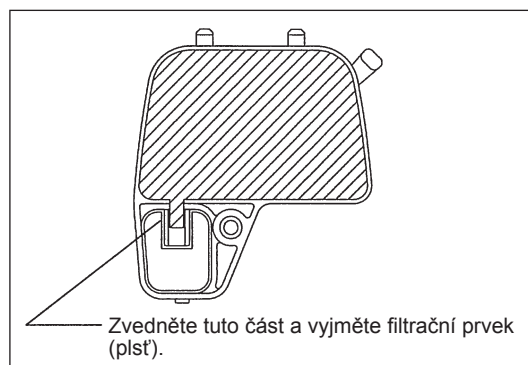
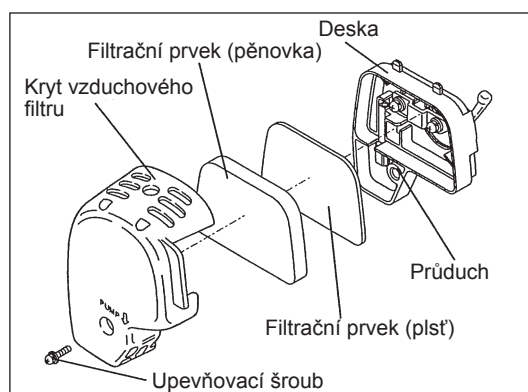
**NEBEZPEČÍ: PŘÍSNÝ ZÁKAZ POUŽÍVÁNÍ HOŘLAVIN**

**Interval čištění a kontroly: Denně (po každých 10 hodinách provozu)**

- Páčku klapky sytiče přesuňte ke straně plně zavřeného stavu a karburátor chraňte před prachem a nečistotami.
- Odmontujte upevňovací šrouby krytu vzduchového filtru.
- Vytáhněte dolní stranu krytu a odmontujte kryt vzduchového filtru.
- Ulpěl-li na filtračním prvku (pěnovce) olej, řádně jej vymačkejte.
- V případě silného znečištění:
  - 1) Vyměňte filtrační prvek (pěnovku), ponořte jej do horké vody nebo neutrálního čisticího prostředku rozpustného ve vodě a pak jej důkladně vysušte.
  - 2) Filtrační prvek (plst') vyčistěte benzínem a zcela jej vysušte.
- Před zpětnou montáží filtračního prvku se ujistěte, zda je zcela suchý. Nedostatečné vysušení může vést k obtížím při startování.
- Hadrem setřete olej kolem krytu vzduchového filtru a průduchové desky.
- Bezprostředně po vyčištění nasadte kryt vzduchového filtru a dotáhněte jej upevňovacími šrouby. (Při montáži nasadte nejprve horní západku a pak teprve dolní.)

#### Poznámky k manipulaci s filtračním prvku vzduchového filtru

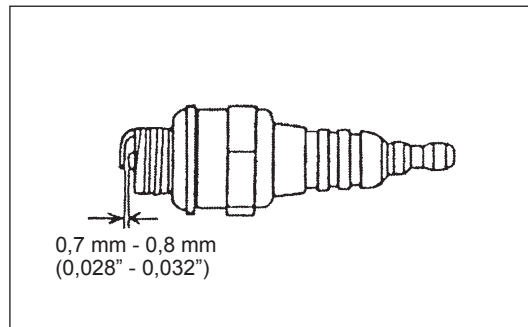
- Při značném zanesení prachem čistěte filtrační prvek několikrát denně.
- Při pokračování v provozu s filtračním prvku nevyčištěným od oleje se může olej z filtračního prvku uvolnit a způsobit znečištění olejové náplně.



## KONTROLA ZAPALOVACÍ SVÍČKY

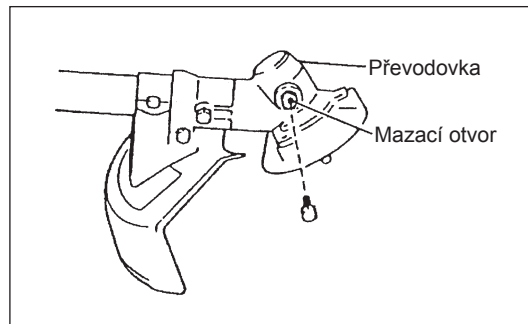
- K demontáži i montáži zapalovací svíčky používejte dodaný univerzální klíč.
- Vzdálenost elektrod zapalovací svíčky musí být 0,7 - 0,8 mm (0,028" - 0,032"). Jestliže je vzdálenost příliš velká nebo příliš malá, upravte ji. Jestliže je zapalovací svíčka ucpaná nebo znečištěná, důkladně ji vyčistěte nebo vyměňte.

**UPOZORNĚNÍ:** Nikdy se nedotýkejte konektoru zapalovací svíčky, jestliže motor běží (nebezpečí úrazu vysokým elektrickým napětím).



## DOPLŇOVÁNÍ MAZIVA V PŘEVODOVCE

- Mazivo do převodovky (Shell Alvania 2 nebo ekvivalent) doplňujte do převodovky mazacím otvorem každých 30 hodin. (Originální mazivo MAKITA zakoupíte u prodejce MAKITA.)



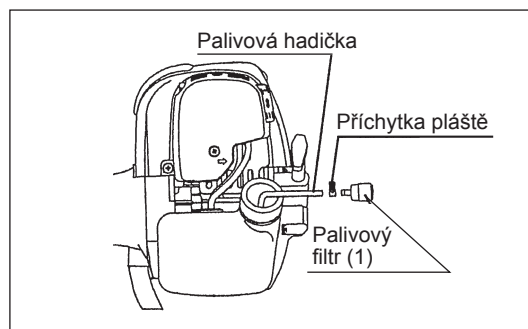
## ČIŠTĚNÍ PALIVOVÉHO FILTRU

### UPOZORNĚNÍ: PŘÍSNÝ ZÁKAZ POUŽÍVÁNÍ HOŘLAVIN

Interval čištění a kontroly: měsíčně (po každých 50 hodinách provozu)

#### Sací hlava v palivové nádrži

- Palivový filtr (1) sací hlavy slouží k filtrování paliva vstupujícího do karburátoru.
- Palivový filtr je třeba pravidelně vizuálně kontrolovat. Kontrolu provedete otevřením víčka nádrže a vyjmutím sací hlavy pomocí drátěného háčku otvorem nádrže ven. Jestliže je filtr ztvrdlý, znečištěný či ucpaný, je nutné jej vyměnit.
- Nedostatečná dodávka paliva může způsobit překročení maximálních přípustných otáček. Proto je důležité palivový filtr alespoň jednou za čtvrt roku vyměnit a zajistit tak dostatečný přísun paliva do karburátoru.



## VÝMĚNA PALIVOVÉ HADIČKY

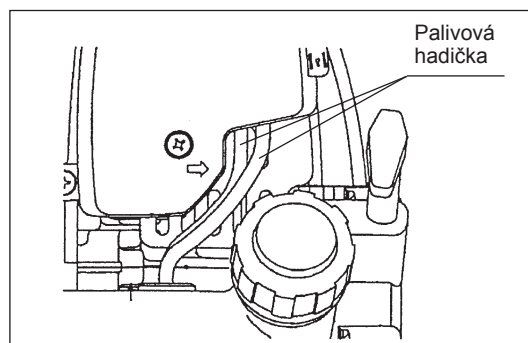
### UPOZORNĚNÍ: PŘÍSNÝ ZÁKAZ POUŽÍVÁNÍ HOŘLAVIN

Interval čištění a kontroly: Denně (po každých 10 hodinách provozu)

Výměna: Jednou za rok (po každých 200 hodinách provozu)

Palivovou hadičku vyměňujte každý rok, bez ohledu na pracovní vytížení. Únik paliva může vyvolat požár.

Zjistíte-li během kontroly nějakou netěsnost hadičky, okamžitě ji vyměňte.



## KONTROLA ŠROUBŮ A MATIC

- Dotáhněte povolené šrouby, matice atd.
- Zkontrolujte, zda neuniká palivo či olej.
- K zajištění bezpečného provozu vyměňte poškozené díly za nové.

## ČIŠTĚNÍ DÍLŮ

- Motor vždy udržujte v čistotě.
- Žebra válce musejí být bez prachu a nečistot. Prach či nečistoty na žebrech způsobí zadření pístu.

## VÝMĚNA TĚSNĚNÍ

Při montáži demontovaného motoru zajistěte výměnu těsnění za nová.

Veškeré jiné než v této příručce obsažené a popsané práce spojené s údržbou či seřizováním mohou provádět pouze zástupci autorizovaných servisů.

## SKLADOVÁNÍ



**UPOZORNĚNÍ: Při vypouštění paliva vypněte motor a zkontrolujte, zda je motor vychladlý.**  
Motor může být bezprostředně po vypnutí stále horký a existuje riziko popálení, vznícení či požáru.

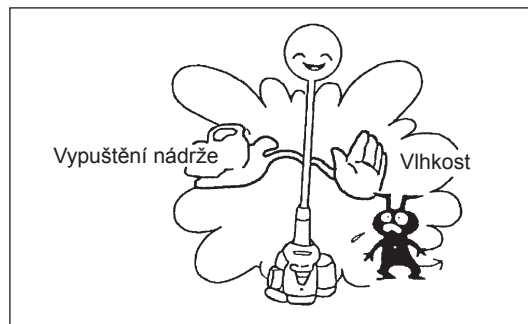


**POZOR: Nebude-li zařízení delší dobu používáno, vypusťte z palivové nádrže a karburátoru palivo a zařízení uložte na suchém a čistém místě.**

– Z palivové nádrže a karburátoru vypusťte palivo podle následujícího postupu:

- 1) Sejměte víčko palivové nádrže a palivo zcela vypusťte.  
Jestliže v palivové nádrži zůstala nějaká cizorodá hmota, důkladně ji odstraňte.
- 2) Plnicím otvorem vytáhněte použitím drátku palivový filtr.
- 3) Stlačováním vypusťte z čerpadla (Primeru) palivo a vylijte palivo vracející se do palivové nádrže.
- 4) Do palivové nádrže vraťte filtr a pevně dotáhněte víčko palivové nádrže.
- 5) Potom spusťte motor a nechte jej běžet, až se zastaví.

- Vyjměte zapalovací svíčku a do otvoru svíčky kápněte několik kapek motorového oleje.
- Zlehka zatáhněte za startovací madlo, aby se motorový olej nanесl do motoru, a pak namontujte zapalovací svíčku.
- K noži namontujte kryt.
- Během skladování musí být křovinořez umístěn ve vodorovné (horizontální) poloze. Stroj skladujte motorem nahoru a nádrží dolů /pod nádrží na palivo je plastový stojan/, nikdy ne obráceně, může dojít k rozlití mazacího oleje.
- Vypuštěné palivo uchovávejte ve speciální nádobě v dobře větraném stinném prostoru.



### Upozornění k dlouhodobému skladování

- Při uvádění do provozu po dlouhodobé nečinnosti vyměňte olej (viz str. 180). Nebude-li zařízení delší dobu používáno, olejová náplň se znehodnotí.

### Určování závad

Závada	Systém	Výsledek pozorování	Příčina
Motor nespouští nebo startuje s obtížemi	Systém zapalování	Svíčka dává jiskru	Závada v dodávce paliva nebo v kompresním systému, mechanická vada
		Svíčka nedává jiskru	Přepínač v poloze STOP, chyba nebo zkrat v elektroinstalaci, vadná svíčka nebo konektor, chybný zapalovací modul
	Přívod paliva	V nádrži je palivo	Nesprávná poloha sytiče, vadný karburátor, zablokované nebo přehnuté vedení paliva, znečištěné palivo.
	Komprese	Při zatažení za startovací lanko není patrná komprese	Vadné dolní těsnění válce, poškozené těsnění klikového hřídele, vadný válec či pístní kroužky nebo nesprávné těsnění zapalovací svíčky
Potíže při startu s teplým motorem	Mechanická závada	Startér nezabírá	Zlomená pružina startéru, poškozené díly v motoru
	Přívod paliva	V nádrži je palivo a svíčka dává jiskru	Znečištěný karburátor – nechte jej vyčistit
Motor nastartuje, ale zhasne	Přívod paliva	V nádrži je palivo	Nesprávné seřízení volnoběhu, znečištěný karburátor Vadné odvětrání palivové nádrže, přerušení palivového vedení, vadný kabel nebo přepínač STOP
Nedostatečný výkon	Závada může být současně v několika systémech	Chybný volnoběh motoru	Znečištěný vzduchový filtr, znečištěný karburátor, ucpaný výfuk, ucpané výfukové vedení ve válci

Položka	Provozní doba							Vypnutí/ odpočinek	Strana v textu
		Před prací	Po mazání	Denně (10 h)	30 h	50 h	200 h		
Motorový olej	Kontrola/ čištění	○							174
	Vyměňte svíčku					○*1			180
Dotážení dílů (šrouby, matice)	Kontrola	○							182
Palivová nádrž	Čištění/ kontrola	○							—
	Vypuštění nádrže							○*3	183
Páčka plynu	Kontrola funkce		○						—
Přepínač Stop	Kontrola funkce		○						178
Nůž	Kontrola	○		○					172
Otáčky volnoběhu	Kontrola/ seřízení			○					178
Vzduchový filtr	Vyčistěte filtr			○					181
Zapalovací svíčka	Kontrola			○					182
Vedení chladicího vzduchu	Čištění/ kontrola			○					182
Palivová hadička	Kontrola			○					182
	Vyměňte svíčku						◎*2		—
Mazivo převodovky	Doplnění				○				182
Palivový filtr	Čištění/ výměna					○			182
Vúle mezi ventilem sání vzduchu a vypouštěcím ventilem	Seřídte otáčky						◎*2		—
Revize motoru							◎*2		—
Karburátor	Vypuštění nádrže							○*3	183

\*1 První výměnu provedte po 20 h provozu.

\*2 Po 200 provozních hodinách požádejte o prohlídku zástupce autorizovaného servisu nebo mechanickou dílnu.

\*3 Po vyprázdnění palivové nádrže nechejte motor běžet, aby se spotřebovalo palivo v karburátoru.



## ODSTRAŇOVÁNÍ PROBLÉMŮ

Než požádáte o opravu, pokuste se problém odstranit sami. Zjistíte-li nějaké závady, zkontrolujte zařízení podle popisu v této příručce. Žádný díl nikdy nepozměňujte a nedemontujte v rozporu s uvedeným popisem. Opravy svěřte zástupcům autorizovaného servisu nebo místnímu obchodnímu zastoupení.

Nenormální stav	Pravděpodobná příčina (porucha)	Náprava
Motor nespouští	Selhání čerpadla	Stiskněte 7 až 10krát
	Nízká rychlost při tahání za startovací lanko	Tahejte silněji
	Nedostatek paliva	Doplňte palivo
	Ucpaný palivový filtr	Vyčistěte filtr
	Přehnutá palivová hadička	Vyrovnejte palivovou hadičku
	Znehodnocené palivo	Znehodnocené palivo ztěžuje startování. Vyměňte palivo za nové. (Doporučený interval výměny: 1 měsíc)
	Nadměrné nasávání paliva	Nastavte páčku plynu ze středních otáček na vysoké a tahejte za startovací madlo, dokud motor nenaskočí. <b>Po nastartování motoru se nůž začne otáčet. Dejte pozor na rotující nůž.</b> Jestliže se motor ani nyní nenastartuje, vymontujte zapalovací svíčku, osušte elektrody a svíčku namontujte zpět. Potom nastartujte určeným způsobem.
	Odpojený konektor svíčky	Konektor pevně připojte
	Znečištěná zapalovací svíčka	Vyčistěte filtr
	Nesprávná vzdálenost elektrod zapalovací svíčky	Seřídte vzdálenost elektrod
	Jiná závada zapalovací svíčky	Vyměňte svíčku
	Závada v karburátoru	Požádejte o kontrolu a údržbu.
	Za startovací lanko nelze tahat	Požádejte o kontrolu a údržbu.
	Závada v pohonném systému	Požádejte o kontrolu a údržbu.
Motor se záhy zastaví Otáčky motoru se nezvyšují	Nedostatečné zahřátí	Zahřejte motor
	Páčka klapky sytiče je nastavena do polohy „ZAVŘENO“, přestože je motor zahřátý.	Nastavte páčku do polohy „OTEVŘENO“
	Ucpaný palivový filtr	Vyčistěte filtr
	Znečištěný nebo ucpaný vzduchový filtr	Vyčistěte filtr
	Závada v karburátoru	Požádejte o kontrolu a údržbu.
	Závada v pohonném systému	Požádejte o kontrolu a údržbu.
Nůž se neotáčí ↓ Okamžitě vypněte motor	Povolená dotahovací matice nože	Matici pevně dotáhněte
	Blokující posekaná hmota mezi nožem a ochranným krytem.	Odstraňte cizorodou hmotu
	Závada v pohonném systému	Požádejte o kontrolu a údržbu.
Hlavní jednotka nadměrně vibruje ↓ Okamžitě vypněte motor	Zlomený, ohnutý nebo opotřebený nůž	Vyměňte nůž
	Povolená dotahovací matice nože	Matici pevně dotáhněte
	Posunutá vypouklá část nože a opěry unášeče nože.	Konektor pevně připojte
	Závada v pohonném systému	Požádejte o kontrolu a údržbu.
Nůž se okamžitě nezastaví ↓ Okamžitě vypněte motor	Vysoké otáčky volnoběhu	Seřídte otáčky
	Odpojené lanko plynu	Konektor pevně připojte
	Závada v pohonném systému	Požádejte o kontrolu a údržbu.
Motor nelze vypnout ↓ Spusťte motor ve volnoběžných otáčkách a páčku klapky sytiče nastavte na ZAVŘENO	Odpojený konektor	Konektor pevně připojte
	Závada v elektroinstalaci	Požádejte o kontrolu a údržbu.

Jestliže motor nenastartuje ani po zahřátí:

Nezjistíte-li u kontrolovaných položek nic neobvyklého, otevřete klapku sytiče asi o 1/3 a nastartujte motor.





**Makita Corporation**  
Anjo, Aichi, Japan

[www.makita.com](http://www.makita.com)

884909G975

ALA