



**Original Instruction Manual**  
**Оригинальні інструкції з експлуатації**  
**Oryginalna instrukcja obsługi**  
**Manual de instrucțiuni original**  
**Originalbetriebsanleitung**  
**Eredeti használati útmutató**  
**Pôvodný návod na obsluhu**  
**Originální návod k obsluze**

**WARNING!**

Read and understand this Manual. Always follow safety precautions in the Manual. Improper use can cause serious injury!

**УВАГА!**

Прочитайте та зрозумійте ці інструкції з експлуатації. Завжди дотримуйтеся заходів безпеки, наведених у цих інструкціях з експлуатації.

Невірне використання може призвести до серйозних травм!

**OSTRZEŻENIE!**

Przeczytać ze zrozumieniem niniejszą instrukcję. Zawsze przestrzegać zasad bezpieczeństwa podanych w instrukcji.

Nieprawidłowa obsługa może spowodować poważne obrażenia!

**AVERTISMENT!**

Trebuie să citiți și să înțelegeți acest manual. Urmați întotdeauna măsurile de precauție din manual.

Utilizarea necorespunzătoare poate cauza vătămări grave!

**WARNUNG!**

Lesen und studieren Sie diese Betriebsanleitung sorgfältig. Befolgen Sie stets die Sicherheitsanweisungen dieser Betriebsanleitung. Bei unsachgemäßer Handhabung kann es zu schweren Verletzungen kommen!

**FIGYELEM!**

Olvassa el és értelmezze a kézikönyvet. Mindig tartsa be a kézikönyv biztonsági óvintézkedéseit.

A helytelen használat súlyos sérüléseket okozhat!

**VÝSTRAHA!**

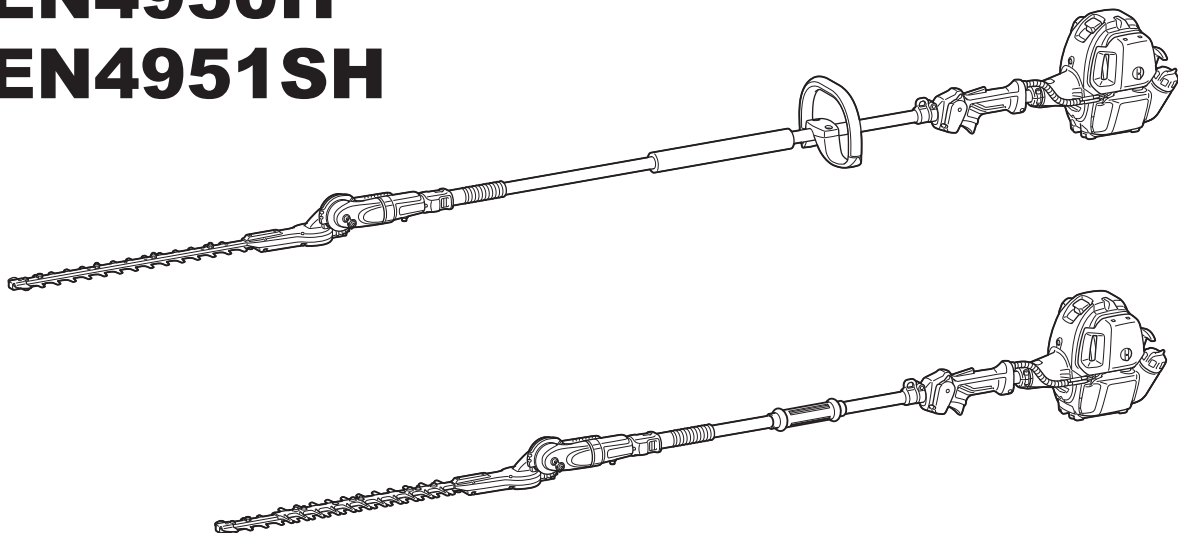
Tento návod si přečtíte a pochopíte ho. Vždy dodržujte bezpečnostní opatření uváděná v návodu.

Nesprávné používání může způsobit vážné poranění!

**VAROVÁNÍ!**

Přečtěte si tuto příručku a ujistěte se, zda jste jejímu obsahu porozuměli. Vždy dodržujte bezpečnostní opatření uvedená v příručce. Při nesprávném použití může dojít k vážnému zranění!

**EN4950H**  
**EN4951SH**



Thank you very much for choosing the MAKITA pole hedge trimmer. We are pleased to offer you a product that is the result of an extensive development program and many years of knowledge and experience.

To safely obtain the best possible results from your MAKITA pole hedge trimmer, please read this manual thoroughly before using the machine, and follow all instructions given herein to assure proper operation of the MAKITA pole hedge trimmer.



**Table of Contents**

**Page**

Symbols.....2  
 Safety instructions .....3  
 Technical data.....8  
 Designation of parts.....9  
 Assembly .....10  
 Shoulder strap (optional accessory).....10  
 Fuel/refuelling .....11  
 Precautions before starting the engine.....13  
 Operating the pole hedge trimmer.....16  
 Maintenance .....18  
 Storage .....23  
 Troubleshooting.....25

**SYMBOLS**

Please note the following symbols when reading this instruction manual.

	WARNING/DANGER		Beware of pinching
	Before usage, carefully read and fully understand the instructions in this manual		Beware of electrical lines, risk of electrical shock
	PROHIBITION		Fuel (Gasoline)
	No smoking		Engine manual-start
	No naked flame		Emergency stop
	Wear protective shoes		First aid
	Wear protective gloves		ON/START
	Keep working area clear of persons and pets		OFF/STOP
	15 m (50 ft)		
	Wear a protective helmet and eye and ear protection		

# SAFETY INSTRUCTIONS

## General Instructions

- Before usage, carefully read this manual and thoroughly familiarize yourself with how to correctly handle the pole hedge trimmer. **THIS EQUIPMENT CAN CAUSE SERIOUS INJURY IF USED IMPROPERLY!**
- Always provide detailed instructions on how to correctly use the pole hedge trimmer when lending the equipment to another person. Make sure that the instruction manual is handed over together with the pole hedge trimmer.
- First-time users should ask their dealer for basic instructions on the correct handling of the pole hedge trimmer.
- Store this manual in a location where it is easily accessible for quick reference.
- Do not allow persons under the age of 18 to operate the pole hedge trimmer. Individuals over 16 years old, however, may use the pole hedge trimmer for training purposes if under the constant supervision of an adult familiar with the operation of the pole hedge trimmer.
- Always use the pole hedge trimmer with the utmost care and attention.
- Never attempt to modify the equipment.
- Follow the regulations about handling of pole hedge trimmers in your country.
- Serious injury may result if the pole hedge trimmer is used in the following circumstances. Do not use the pole hedge trimmer:
  - When feeling tired or ill.
  - After consumption of alcohol and/or medication.
  - At night or in poor lighting conditions.
  - During pregnancy.

## Intended use

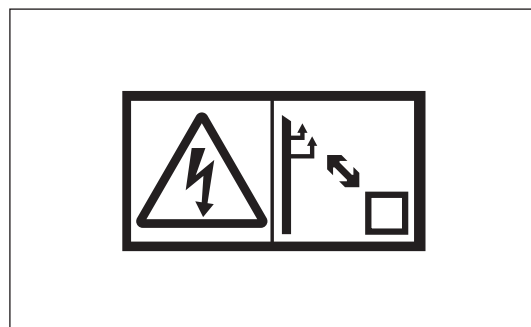
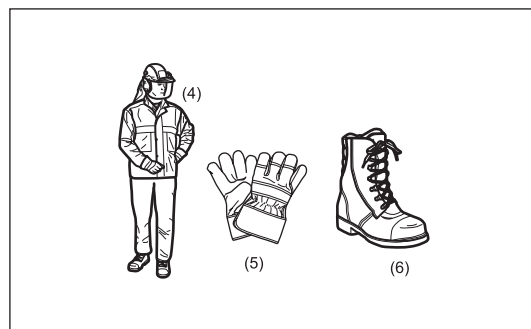
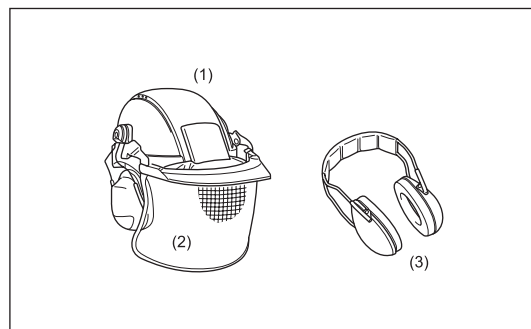
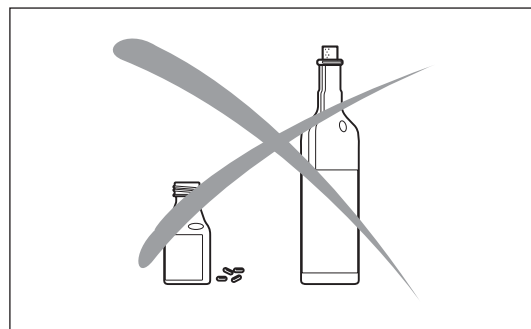
- This pole hedge trimmer has been designed for the sole purpose of trimming hedges and bushes. Do not use the pole hedge trimmer for any other purposes.

## Personal protective equipment

- Clothes worn should be functional and tight-fitting without restricting movement. Do not wear clothing or jewelry that could get entangled in underbrush or in the machine.
- For adequate protection against injuries to head, eyes, feet, hands, as well as hearing impairment, the following protective equipment and clothing must be used when working with the pole hedge trimmer.
- To prevent injury to the head or the eyes, always wear a protective helmet (1) with goggles or a visor (2).
- To avoid hearing impairment, wear adequate ear defenders (3) at all times.
- Use of a well-fitting work overalls (4) is strongly recommended.
- Always wear rugged, leather working gloves (5) when operating the pole hedge trimmer.
- When using the pole hedge trimmer, always wear sturdy shoes (6) with a non-slip sole. Special work shoes ensure good footing and protect against injury.
- When touching blades or blade unit, wear protective gloves. Blades can cut bare hands severely.

## Work area safety

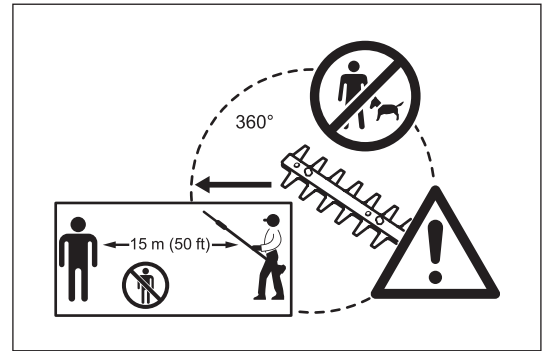
- **⚠ DANGER:** Keep the pole hedge trimmer away from electric lines and communication cables. Touching or approaching high-voltage lines with pole hedge trimmer can result in death or serious injury. Watch power lines and electrical fences around the work area before starting operation.
- Start and operate the engine only outdoors in a well ventilated area. Operation in a confined or poorly ventilated area can result in death due to suffocation or carbon monoxide poisoning.
- During operation, keep bystanders, in particular children, or animals at least 15 m away from the pole hedge trimmer. Stop the engine as soon as someone approaches.
- Before operation, examine the work area for wire fences, stones, or other solid objects. They can damage the blades.
- **⚠ WARNING:** Use of this product can create dust containing chemicals which may cause respiratory or other illnesses. Some examples of these chemicals are compounds found in pesticides, insecticides, fertilizers and herbicides. Your risk from these exposures varies, depending on how often you do this type of work. To reduce your exposure to these chemicals: work in a well ventilated area, and work with approved safety equipment, such as those dust masks that are specially designed to filter out microscopic particles.



## Starting the pole hedge trimmer

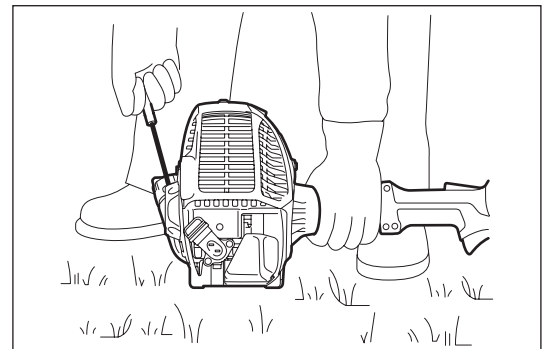
- Before assembling or adjusting the equipment, switch off the engine and remove the spark plug cap.
- Before starting the pole hedge trimmer, always make sure that the machine is in safe operational condition.
- Never attempt to start the engine if the equipment is damaged.
- Check the operation of the throttle lever safety mechanism. The lock-off lever should have a smooth and easy action. Make sure that the lock-off lever functions properly. Check that the handles are clean and dry and test the STOP switch to ensure that it is functioning properly.

Always start the pole hedge trimmer in accordance with the directions provided in this instruction manual.



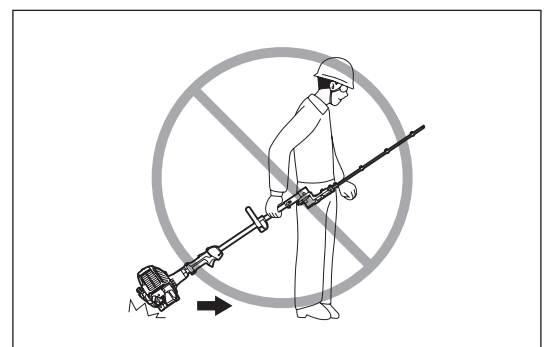
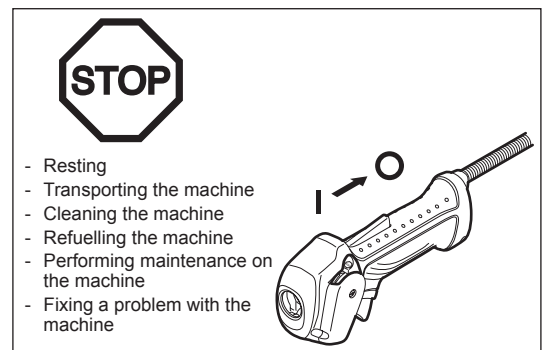
## Follow the instructions below to start the pole hedge trimmer

- Start the pole hedge trimmer only after the machine has been completely assembled and all accessory parts have been attached.
- When starting the engine, keep the blades clear of your body and other object, including the ground. The blades may move when starting and may cause serious injury or damage to the blades and/or property.
- Before starting the engine, make sure that cutter blades are not obstructed by any foreign objects such as stones, branches, etc.
- Stop the engine immediately if engine problems occur.
- When pulling the starter knob, hold the equipment firmly against the ground by your left hand. Never step on the drive shaft.
- If the blades move at idle, stop the engine and adjust the idle speed down.
- When operating the pole hedge trimmer, always maintain a firm grip on both handles. Wrap your fingers tightly around each handle, cradling the handle between thumb and forefinger. To keep the pole hedge trimmer under control at all times, avoid changing your grip during operation. Make sure that the control handles are in good condition and free of moisture, mud, oil or grease.



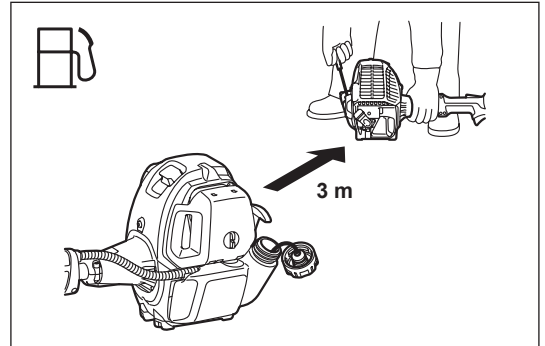
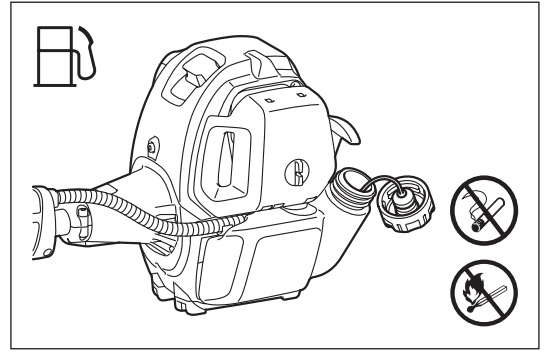
## Always ensure secure and well-balanced footing

- Always stop the engine immediately and discontinue operation if engine trouble occurs or if the machine starts making unusual noise.
- Exhaust fumes are poisonous. Never operate the machine in an enclosed room or tunnel without ventilation (risk of suffocation and gas poisoning). Note that carbon monoxide is an odorless gas. Always make sure that areas where the engine is operated are adequately ventilated.
- Stop the engine when resting, or when the pole hedge trimmer is left unattended. Place the machine in a safe location and make sure that no combustible material is nearby.
- Never place a hot pole hedge trimmer onto dry grass or combustible material.
- To reduce the risk of fire, keep the engine and muffler free of debris, leaves or excessive lubricant.
- Never operate the engine if the muffler is malfunctioning.
- Turn off the engine before transportation.
- Always stop the engine when:
  - Resting
  - Transporting the machine
  - Cleaning the machine
  - Refuelling the machine
  - Performing maintenance on the machine
  - Fixing a problem with the machine
- When carrying the equipment, carry it in a horizontal position by holding the shaft. Keep the hot muffler away from your body.
- When transporting the machine in a vehicle, always securely attach the pole hedge trimmer to avoid leakage of residual fuel.
- Always empty the fuel tank before transporting the pole hedge trimmer in a vehicle.
- When unloading the machine from a vehicle, take extra care not to drop the pole hedge trimmer to the ground, as this may seriously damage the fuel tank.
- Except in an emergency, never drop the pole hedge trimmer as this may seriously damage the machine.
- When transporting the pole hedge trimmer, always lift the machine completely off of the ground. Never drag the engine across the ground as this may damage the fuel tank and possibly cause a fire.
- Always use the cutter cover provided to protect and secure the cutting section of the pole hedge trimmer during transportation and storage.
- If the equipment gets heavy impact or fall, check the condition before continuing work. Check the fuel system for fuel leakage and the controls and safety devices for malfunction. If there is any damage or doubt, ask our authorized service center for the inspection and repair.



## Refuelling

- Before refuelling, stop the engine.
- Never refuel near naked flames.
- Do not smoke when refuelling.
- Always allow sufficient time for the engine to cool down before refuelling.
- Take care not to let your skin come into contact with petroleum products. Do not inhale gasoline fumes and always wear protective gloves when refuelling. Change and clean protective wear at regular intervals.
- Take extra care to avoid spilling gasoline and oil in order to avoid contamination of the ground (environmental protection). If gasoline or oil has been spilled onto the pole hedge trimmer, immediately wipe the surface of the pole hedge trimmer with a rag.  
To avoid spontaneous combustion, allow wet rags to dry sufficiently before discarding them into an appropriate, covered container.
- Make sure that no fuel comes in contact with your clothing. Change fuel-contaminated clothing immediately (fire hazard).
- Close the fuel tank and tighten the fuel tank cap securely. To restart the engine, transfer the pole hedge trimmer to a location at least 3 meters away from the place of refuelling.
- Check the fuel tank cap at regular intervals to make sure that the cap is securely fastened.
- Never refuel the machine in an enclosed room. Fuel vapors accumulate at ground level (risk of explosion).
- Store fuel in appropriate containers only, and make sure that stored fuel is out of the reach of children.



## Operation

- In the event of an emergency, turn off the engine immediately.
- If you feel any unusual condition (e.g. noise, vibration) during operation, switch off the engine. Do not use the pole hedge trimmer until the cause is recognized and solved.
- The blades continue to move for a short period after releasing the throttle trigger or switch off the engine. Don't rush to contact the blades.
- Never attempt to operate the equipment with one hand. Loss of control may result in serious or fatal injury. To reduce the risk of cut injuries, keep your hands and feet away from the blades.
- Keep your right hand under the shoulder height during operation. Otherwise you may lose control and result in injury.
- During operation, never hit the blades against hard obstacles such as stones and metals. Take particular care when cutting hedges next to or against wire fences. When working close to the ground, make sure that no sand, grit or stones get between the blades.
- If the blades come into contact with stones or other solid objects, stop the engine immediately and check the blades for damage after removing the spark plug cap. Replace the blades if damaged.
- Never touch or approach the blades while they are moving. Blades can cut your finger easily. When handling or approaching the blade, stop the engine and remove the spark plug cap.
- If thick branches get jammed in the blades, immediately stop the engine, put the pole hedge trimmer down and then remove the obstruction after removing the spark plug cap. Check the blades for damage before using the equipment again.
- Accelerating the engine with the blades blocked increases the load and may damage the engine and/or clutch.
- Check the cutting blades frequently during operation for cracks or blunt edges. Before the inspection, switch off the engine and wait until the blades stop completely. Replace damaged or dull blades immediately, even if they have only superficial cracks.
- Do not touch the gear case. The gear case becomes hot during operation.
- Take a rest to prevent loss of control caused by fatigue. We recommend to take a 10 to 20-minute rest every hour.
- Before cutting, pull the throttle lever fully to achieve the maximum speed.
- During operation, hold the pole hedge trimmer with both hands at all times.
- Only use the pole hedge trimmer in good light and visibility conditions. Beware of slippery and wet areas (ice and snow) during the cold season (danger of slipping), and always ensure secure footing.
- Never use the pole hedge trimmer while standing on an unstable surface or a steep slope.
- Never use the pole hedge trimmer while standing on a ladder.
- Never climb a tree to use the pole hedge trimmer from the tree.
- To avoid stumbling or falling over objects, never walk backwards when working with the pole hedge trimmer.
- Always stop the engine before cleaning or servicing the machine. Also, refrain from replacing parts before the engine has been stopped.
- Do not operate the pole hedge trimmer if the cutting unit is damaged or worn.

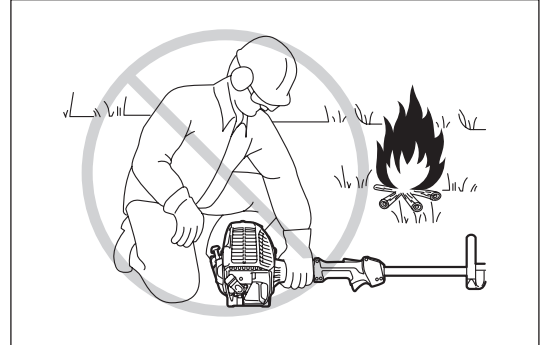


## Vibration

- People with poor circulation who are exposed to excessive vibration may experience injury to blood vessels or the nervous system. Vibration may cause the following symptoms to occur in the fingers, hands or wrists: "Falling asleep" (numbness), tingling, pain, stabbing sensation, alteration of skin color or of the skin. If any of these symptoms occur, see a physician!
- To reduce the risk of "white finger disease", keep your hands warm during operation and well maintain the equipment and accessories.

## Maintenance instructions

- Have your equipment serviced by our authorized service center, always using only genuine replacement parts. Incorrect repair and poor maintenance can shorten the life of the equipment and increase the risk of accidents.
- Always do your utmost to keep pollution and noise emissions as low as possible when operating the pole hedge trimmer. Pay special attention to correct adjustment of the carburetor.
- Clean the pole hedge trimmer at regular intervals and periodically check whether all nuts and bolts are securely tightened.
- Never service or store the pole hedge trimmer in the vicinity of naked flames, sparks, etc.
- Never repair bent or broken blades by straightening or welding. It may cause parts of the blades to come off and result in serious injury. Contact MAKITA authorized service center for MAKITA genuine blades to replace them.
- To prevent further damage and/or personal injury, refrain from repairing a malfunctioning pole hedge trimmer if not qualified to do so. For repairs always contact your dealer or an authorized service agent.



Do not attempt to modify or remodel the pole hedge trimmer as this may affect operation safety.

Maintenance work that can be performed by the user is limited to the activities described in this instruction manual. Any other procedures are to be executed by an authorized service agent.

Request MAKITA authorized service center to inspect and maintain the pole hedge trimmer at regular interval.

Use only genuine spare parts and accessories supplied by MAKITA via authorized service centers.

Use of unauthorized accessories and tools may increase the risk of accident and injury. MAKITA accepts no liability whatsoever for accidents or damage resulting from the use of unauthorized accessories and parts.

## Storage

- Before storing the equipment, perform full cleaning and maintenance. Fit the blade cover.
- Empty the fuel tank before storage, and always store the pole hedge trimmer in a well-ventilated locked room. Make sure the pole hedge trimmer is out of children's reach at all times.
- Do not prop the equipment against something, such as a wall. Otherwise the pole hedge trimmer may fall suddenly and cause an injury.

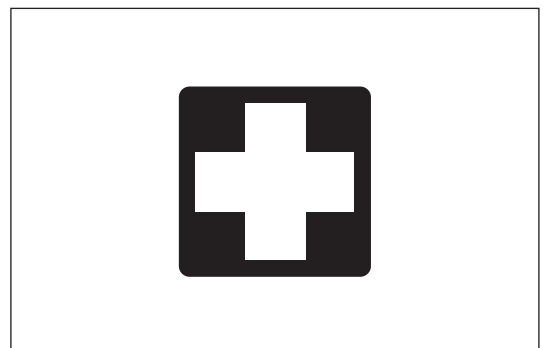
## First aid

As a precaution for the occurrence of an accident, make sure that a fully stocked first aid kit is ready at hand.

Replace any items taken from the first aid kit as soon as possible.

**When asking for help in the case of an emergency, give the following information:**

- Place of accident
- What happened
- Number of injured people
- Extent of injuries
- Your name



**For European countries only**

**EC Declaration of Conformity**

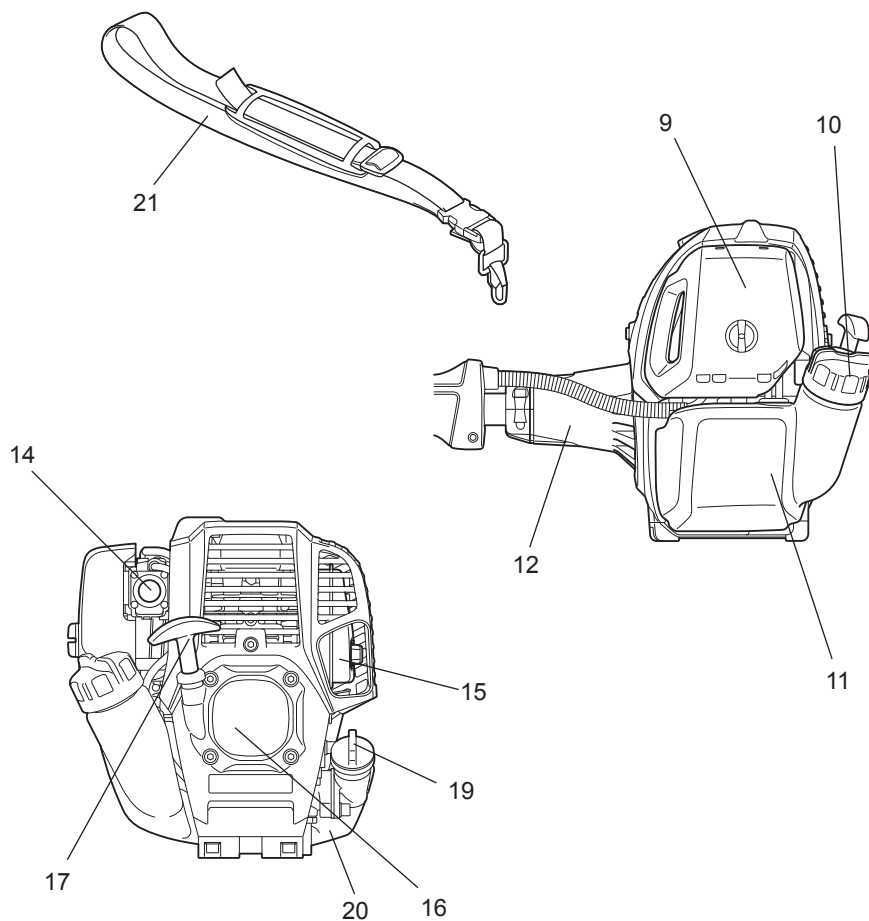
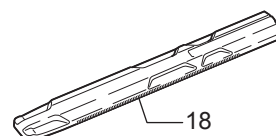
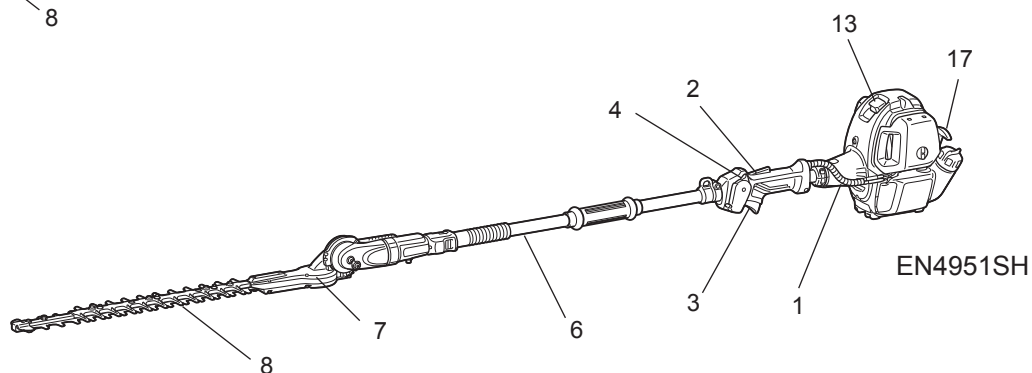
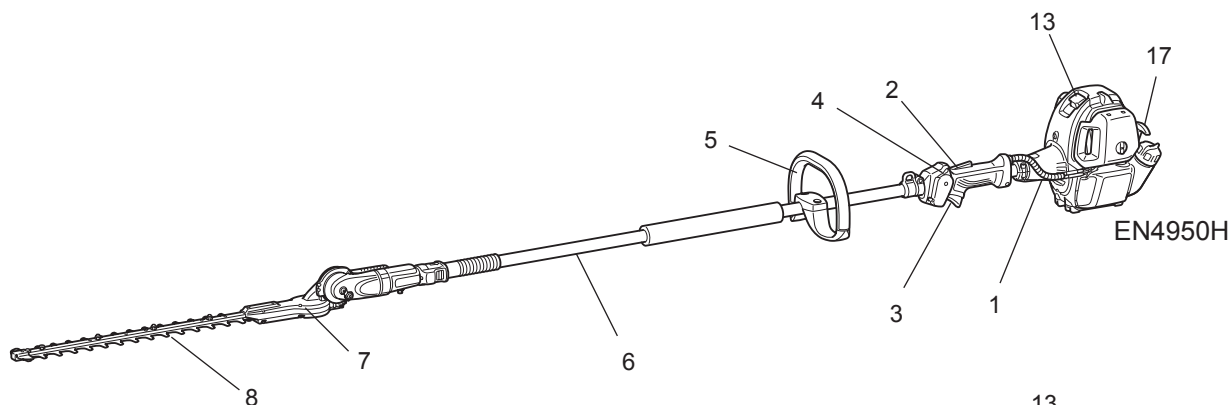
The EC declaration of conformity is included as Annex A to this instruction manual.

## TECHNICAL DATA

Model	EN4950H		EN4951SH		
	Loop handle		Straight handle		
Dimensions (L x W x H)	2,550 mm x 242 mm x 241 mm		2,050 mm x 221 mm x 241 mm		
Net weight	6.9 kg		6.6 kg		
Volume (fuel tank)	0.6 L				
Cutting length	490 mm				
Maximum branch diameter	7 mm				
Cutting strokes	4,200 min <sup>-1</sup>				
Engine type	Air cooled, 4-stroke, single cylinder				
Engine displacement	25.4 cm <sup>3</sup>				
Maximum engine performance	0.77 kW at 7,000 min <sup>-1</sup>				
Engine speed at recommended max, spindle speed	10,000 min <sup>-1</sup>				
Fuel consumption	0.33 kg/h				
Specific fuel consumption	408 g/kWh				
Idling speed	3,000 min <sup>-1</sup>				
Clutch engagement speed	4,400 min <sup>-1</sup>				
Carburetor (Diaphragm carburetor)	Diaphragm type				
Spark plug type	NGK CMR4A				
Electrode gap	0.7 - 0.8 mm				
		Vibration per ISO 10517		Vibration per ISO 10517	
Right handle (rear grip)	a <sub>h<sub>v</sub> eq</sub>	8.5 m/s <sup>2</sup>		7.0 m/s <sup>2</sup>	
	Uncertainty K	1.3 m/s <sup>2</sup>		3.1 m/s <sup>2</sup>	
Left handle (front grip)	a <sub>h<sub>v</sub> eq</sub>	6.4 m/s <sup>2</sup>		5.1 m/s <sup>2</sup>	
	Uncertainty K	2.6 m/s <sup>2</sup>		1.5 m/s <sup>2</sup>	
		Noise per ISO 10517		Noise per ISO 10517	
Sound pressure level	90 dB (A)		90.2 dB (A)		
Uncertainty K	1.8 dB (A)		1.0 dB (A)		
Sound power level	103.0 dB (A)		104.1 dB (A)		
Uncertainty K	1.0 dB (A)		0.4 dB (A)		
Fuel	Automobile gasoline (petrol)				
Engine oil	API grade SF class or higher, SAE 10W-30 oil (automobile 4-stroke engine oil)				
Gear ratio	1/4.78				



## DESIGNATION OF PARTS



Designation of parts	
1	Throttle cable
2	Lock-off lever
3	Throttle lever
4	Stop switch
5	Handle
6	Shaft
7	Gear box
8	Cutter blade
9	Air cleaner
10	Fuel tank cap
11	Fuel tank
12	Clutch case
13	Spark plug cap
14	Primer pump
15	Muffer
16	Recoil starter
17	Starter knob
18	Blade cover
19	Oil cap
20	Oil tank
21	Shoulder strap (Optional accessory)

## ASSEMBLY

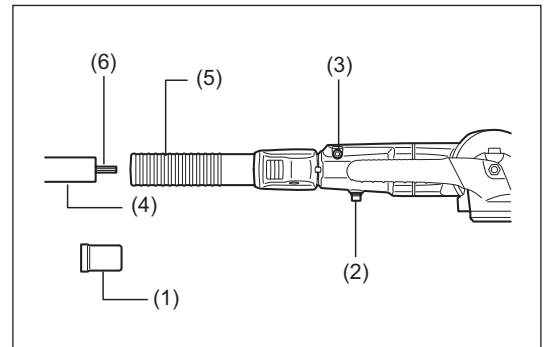
### ⚠ WARNING:

- Make sure that the engine is turned off, and remove the spark plug cap before assembling the pole hedge trimmer.
- Wear protective gloves!
- Secure cutting blades with the blade cover provided when connecting the trimmer unit to the pole.

1. Remove the cap (1) from the shaft.
2. Loosen the M5 x 16 bolt (2) and M5 x 25 bolt (3).
3. Insert shaft (4) into the cover (5).

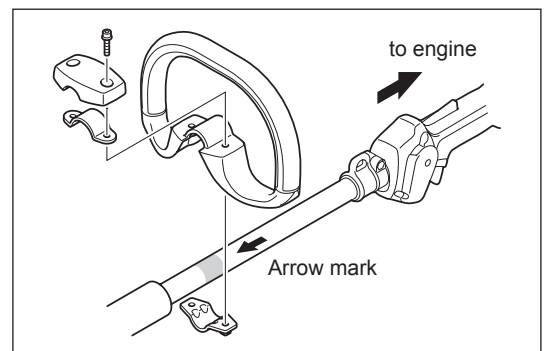
NOTE: Make sure that the shaft is completely inserted into the cover (approx. 237 mm/ 9-3/8").  
If you are having trouble inserting the shaft, manually rotate the drive axle (6) a little and try again.

4. Make sure that the shaft is properly inserted and then tighten the M5 x 16 bolt and the M5 x 25 bolt.



### ATTACHING THE HANDLE (for EN4950H)

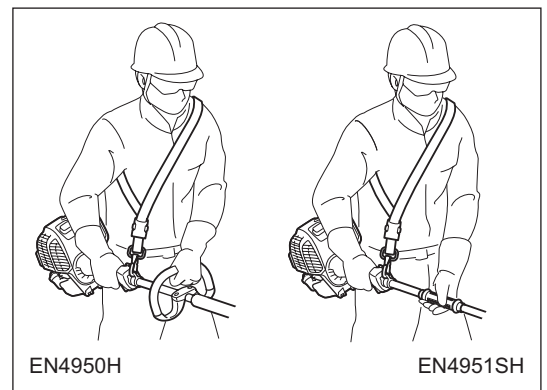
- Fix the loop handle on the shaft as shown.
- To keep a proper distance between the grips, set the loop handle ahead of the arrows.



## SHOULDER STRAP (optional accessory)

### How to wear the shoulder strap

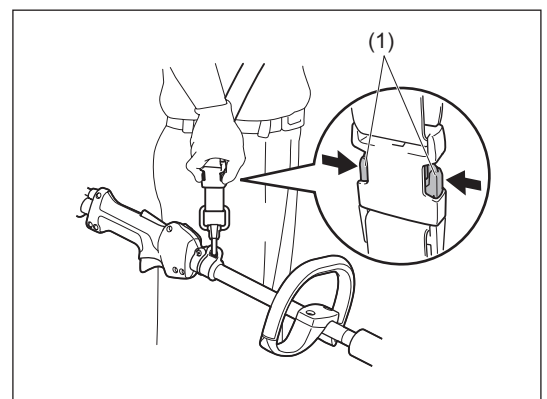
- Wear the shoulder strap over the left shoulder.
- Keep the pole hedge trimmer unit on the right hand side of the body.
- Attach the strap to the hanger provided on the pole hedge trimmer and adjust the length of the strap to attain a comfortable working position.



### Detachment

- In an emergency, push the notches (1) at both sides, and you can detach the machine from you.  
Be extremely careful to maintain control of the machine at this time. Do not allow the machine to be deflected toward you or anyone in the work vicinity.

WARNING: Failure to maintain complete control of the machine at all could result in serious bodily injury or DEATH.



## BEFORE START OF OPERATION

### Inspection and refill of engine oil

- Perform the following procedure, with the engine cooled down.
- Set the engine level, remove oil cap (Fig. 1), and check to see whether or not there is oil in the range between the upper limit and lower limit marks of the oil pipe (Fig. 2).
- Top up with oil to upper limit mark if oil is insufficient (oil level is close to lower limit mark) (Fig. 3).
- The area surrounding the external marks is transparent, so the amount of oil inside can be checked without having to remove the oil cap. However, if oil pipe becomes extremely dirty, visibility may be lost, and oil level will have to be checked against stepped section on inside of oil pipe.
- For reference, the oil refill time is about 10 h (every 10 refuelling).  
If the oil changes in color or mixes with dirt, replace it with new one. (For the interval and method of replacement, refer to P20)

**Recommended oil:** SAE 10W-30 oil of API Classification, Class SF or higher (4-stroke engine for automobile)

**Oil volume:** Approx. 0.08 L

**NOTE:** If the engine is not kept upright, oil may go into around the engine, and may be refilled excessively.  
If the oil is filled above the limit, the oil may be contaminated or may catch fire with white smoke.

### Point 1 in Replacement of oil: "Oil cap"

- Remove dust or dirt near the oil refill port, and detach the oil cap.
- Keep the detached oil cap free of sand or dust. Otherwise, any sand or dust adhering to the oil cap may cause irregular oil circulation or wear on the engine parts, which will result in troubles.

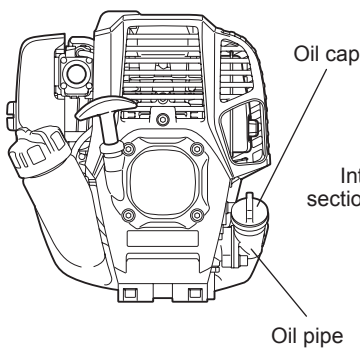


Fig. 1

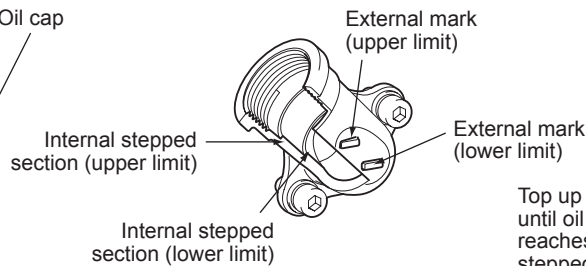


Fig. 2 Oil pipe

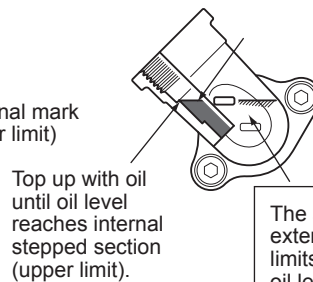
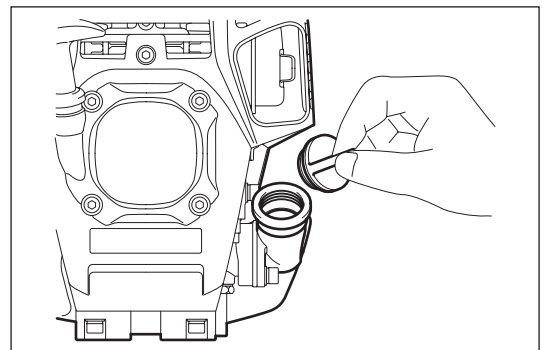


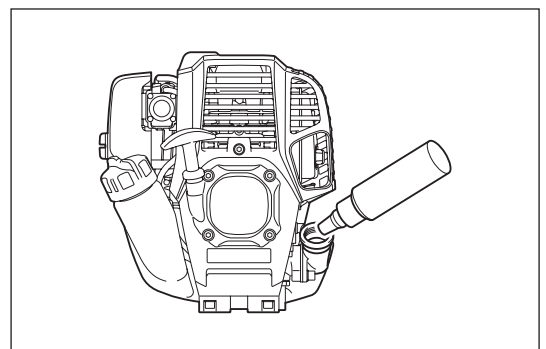
Fig. 3

The area between the external upper and lower limits is transparent, so oil level can be checked externally against these marks.

(1) Keep the engine level, and detach the oil cap.



(2) Fill with oil to upper limit mark. (see Fig. 3)  
Use oil bottle when filling.



(3) Securely tighten the oil cap. Insufficient tightening may cause oil leakage.

#### Note

- Do not replace oil with the engine in a tilted position.
- Filling with oil while engine is tilted leads to overfilling which causes oil contamination and/or white smoke.

#### Point 2 in Replacement of oil: "If oil spills out"

- If oil spills out between the fuel tank and engine main unit, the oil is sucked into through the cooling air intake port, which will contaminate the engine. Be sure to wipe out spilled oil before start of operation.

## REFUELLING

### Handling of fuel

It is necessary to handle fuel with utmost care. Fuel may contain substances similar to solvents. Refuelling must be performed in a sufficiently ventilated room or in the open air. Never inhale fuel vapors, and keep fuel away from you. If you touch fuel repeatedly or for a long time, the skin becomes dry, which may cause skin disease or allergy. If fuel comes into the eye, clean the eye with fresh water. If your eye remains still irritated, consult your doctor.

### Storage period of fuel

Fuel should be used within a period of 4 weeks, even if it is kept in a special container in a well-ventilated and shaded area. Otherwise, fuel may deteriorate in one day.

### STORAGE OF MACHINE AND REFILL TANK

- Keep the machine and tank at a cool place free from direct sunshine.
- Never keep the fuel in a car.

### Fuel

The engine is a four-stroke engine. Be sure to use an unleaded automobile gasoline 87 or higher octane ((R+M)/2). It may contain no more than 10% alcohol (E-10).

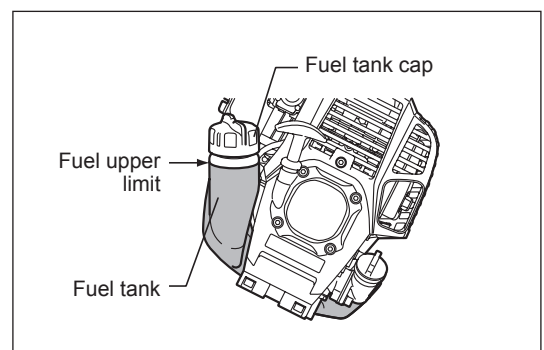
### Points for fuel

- Never use a gasoline mixture which contains engine oil. Otherwise, it will cause excessive carbon accumulation or mechanical troubles.
- Use of deteriorated oil will cause irregular start-up.

### Refuelling

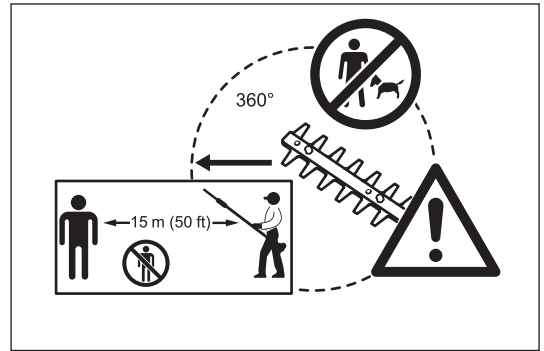
#### WARNING: INFLAMMABLES STRICTLY PROHIBITED

- Loosen the tank cap a little to release the tank pressure.
  - Detach the tank cap, and refuel, discharging air by tilting the fuel tank so that the refuel port will be oriented upward. (DO NOT fill fuel up to the top of the tank.)
  - Wipe well the periphery of the tank cap to prevent foreign matter from entering the fuel tank.
  - After refuelling, securely tighten the tank cap.
- If there is any flaw or damage on the tank cap, replace it.
  - The tank cap wears out in course of time. Replace it every two to three years.



## PRECAUTIONS BEFORE STARTING THE ENGINE

- At all times allow a 15-meter diameter safety zone around the working area. Make sure that all persons (in particular children) and/or animals remain outside this zone.
- Before using the pole hedge trimmer, make sure that the machine is in safe operational condition. Make sure that the cutting blades are not damaged, and check the throttle lever for easy action. Make sure that the cutting blades are not in motion when the engine is idling. If the machine is not operating normally, contact your dealer to have the machine adjusted. Make sure that the handles are clean and dry, and test whether the I-O switch is functioning properly. Start the engine only in accordance with the instructions given in this manual. Do not use any other methods to start the pole hedge trimmer.
- Start the engine of the pole hedge trimmer only after having read and fully understood the instructions. Never attempt to start a pole hedge trimmer that has not been fully assembled. Serious injury may result otherwise.
- Before starting the engine, always make sure that the cutting blades are not obstructed by stones, branches or any other solid objects.
- Check the working area for wires, cord, glass or other foreign objects that could get caught in the cutting blades.
- Electrical shock: Be aware of all electrical lines in the vicinity. Check the entire work area for the presence of power lines and electrical fences before starting to work.



## POINTS IN OPERATION AND HOW TO STOP

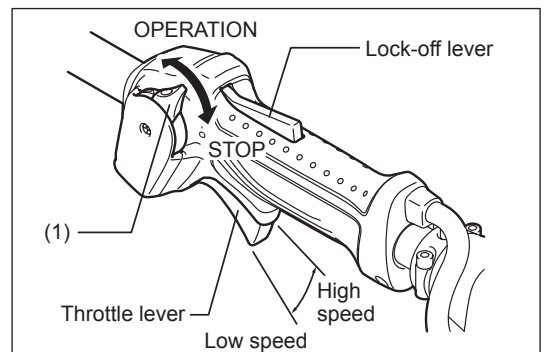
Observe the applicable accident prevention regulations!

### STARTING

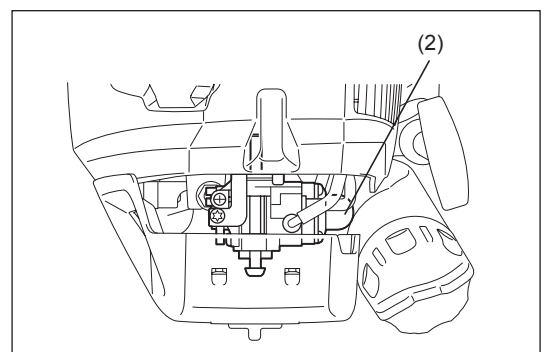
Move at least 3 m away from the place of refuelling. Put the pole hedge trimmer on a clean piece of ground taking care that the cutting blades do not come into contact with the ground or any other objects.

#### A: Cold start

- 1) Set this machine on a flat space.
- 2) Set the I-O switch (1) to OPERATION.



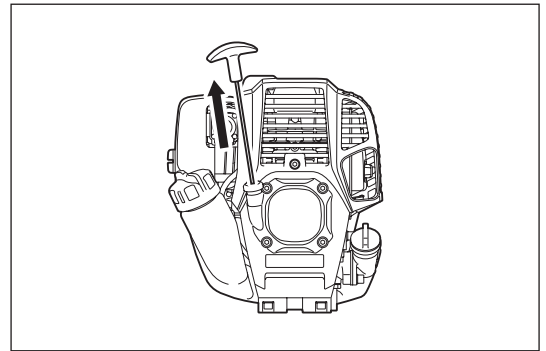
- 3) Primer pump  
Continue to push the primer pump (2) until the fuel comes into the primer pump. (In general, fuel comes into the primer pump by 7 to 10 pushes.) If the primer pump is pushed excessively, an excess of gasoline returns to the fuel tank.



- 4) Recoil starter  
Pull the start knob gently until it is hard to pull (compression point). Then, return the start knob, and pull it strongly. Never pull the rope to the full extension. Once the start knob is pulled, never release your hand immediately. Hold the start knob until it returns to its original point.

- 5) Warm-up operation  
Continue warm-up operation for 2 to 3 minutes.

NOTE: In case of excessive fuel intake, remove the spark plug and pull the starter handle slowly to remove excess fuel. Also, dry the electrode section of the spark plug.



**B: Startup after warm-up operation**

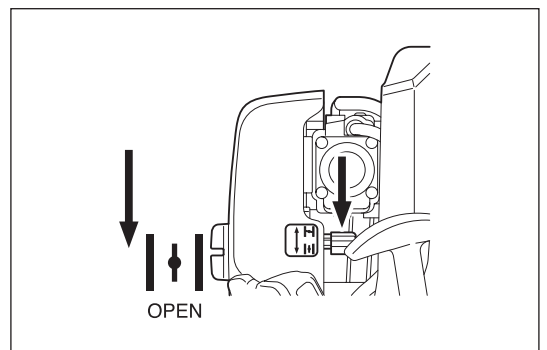
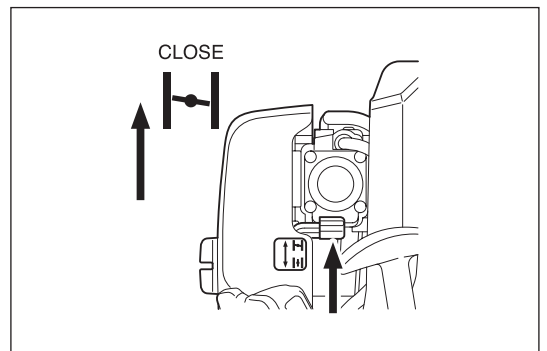
- 1) Repeat pushing the primer pump gently.
- 2) Keep the throttle lever at the idling position.
- 3) Pull the recoil starter strongly.
- 4) If it is difficult to start the engine, open the throttle by about 1/3.  
Pay attention to the cutting blades which may move.

**At times, such as winter, when starting the engine is difficult, operate choke lever with the following procedure when starting engine.**

- After implementing startup steps 1) to 3), set choke lever to the CLOSE position.
- Implement startup step 4) and start engine.
- Once engine starts, set choke lever to the OPEN position.
- Implement startup step 5) and complete warm up.

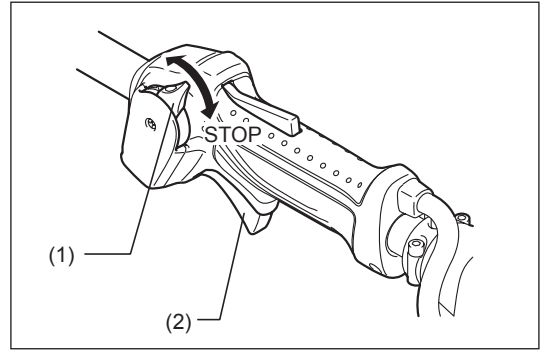
CAUTION: If a bang (explosive sound) is heard and the engine stops, or the just-started engine stalls before the choke lever is operated, return the choke lever to the OPEN position, and pull the starter knob a few times again to start the engine.

CAUTION: If the choke lever is left in the CLOSE position, and the starter knob merely pulled repeatedly, too much fuel will be sucked in, and the engine will become difficult to start.



## STOPPING

- 1) Release the throttle lever (2) fully, and when the engine speed has lowered, set the I-O switch (1) to STOP the engine will now stop.
- 2) Be aware that the cutting head may not stop immediately and allow it to slow down fully.

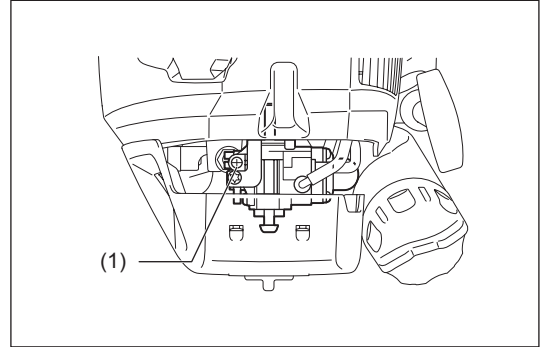


## ADJUSTMENT OF LOW-SPEED ROTATION (IDLING)

When it is necessary to adjust the low-speed rotation (idling), perform it by the carburetor adjusting screw (1).

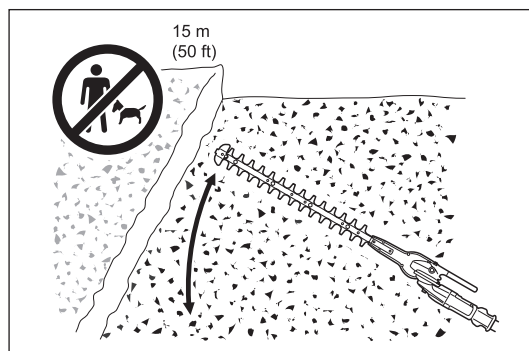
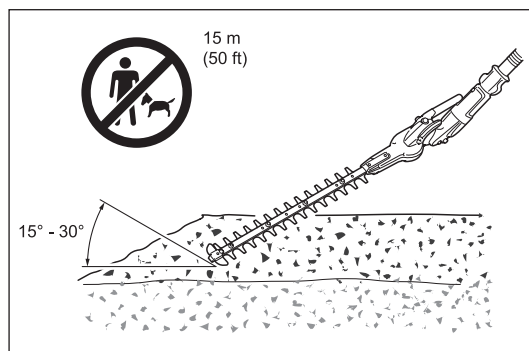
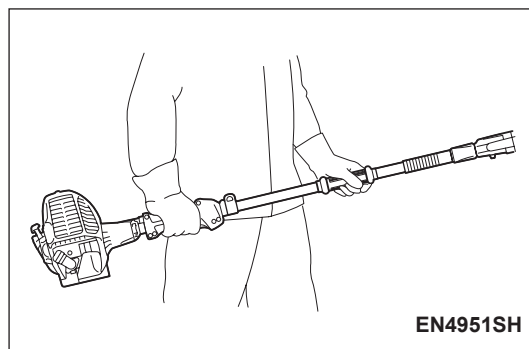
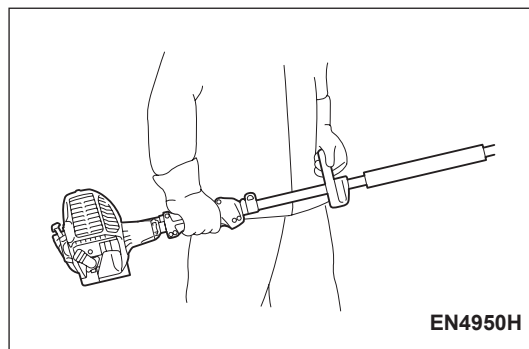
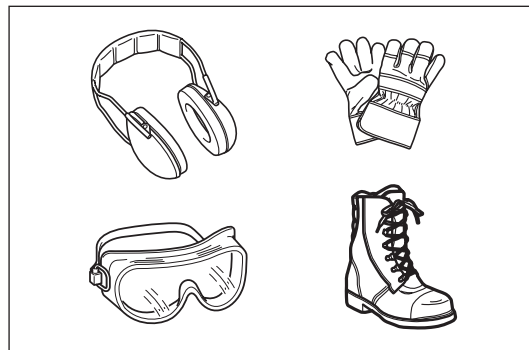
## CHECKUP OF LOW-SPEED ROTATION

- Set the low-speed rotation to 3,000 rpm (/min).  
If it is necessary to change the rotation speed, regulate the adjusting screw (1) with Phillips screwdriver.
- Turn the adjusting screw to the right, and the engine speed will increase. Turn the adjusting screw to the left, and the engine speed will drop.
- The carburetor is generally adjusted before shipment. If it is necessary to readjust it, please contact Authorized Service Center.



## OPERATING THE POLE HEDGE TRIMMER

- Do not touch the cutting blade portion of the pole hedge trimmer during operation, or when the engine is running.
- Take extra care not to inhale exhaust gases when working with the pole hedge trimmer. Never operate the pole hedge trimmer in an enclosed room or an area with insufficient ventilation (risk of suffocation and gas poisoning). Note that carbon monoxide is an odorless gas that is, it cannot be detected by the sense of smell.
- Always wear adequate protective wear before starting to work with the pole hedge trimmer.
- Stop the engine immediately if the muffler is not functioning properly.
- Only use the pole hedge trimmer in good light and visibility conditions.
- Do not operate the pole hedge trimmer in darkness or fog. Beware of slippery and wet areas (ice and snow) during the cold season (danger of slipping), and always ensure secure footing.
- Never use the pole hedge trimmer while standing on an unstable surface or a steep slope.
- Never use the pole hedge trimmer while standing on a ladder.
- Never climb a tree to use the pole hedge trimmer from the tree.
- Continuously check the working area for wires, cord, glass or other foreign objects that could get caught in the cutting blades.
- Make sure that the cutting blades are in rapid motion before starting to cut.
- Always grip the pole hedge trimmer with both hands and maintain a firm grip when working with the machine.
- To assure optimal control over the pole hedge trimmer, always completely wrap your hands around the handles (use your thumb for counter pressure) and apply a firm grip on the handles.
- Note that the cutting blades will remain in motion for up to two seconds after the throttle lever has been released.
- Do not cut with the pole hedge trimmer at low engine speed.
- The speed of the cutting blades cannot be adjusted properly with the throttle lever when the engine is running at low speed.
- To trim the top surface of a hedge, first align the cutting blades at an angle of  $15^{\circ}$  -  $30^{\circ}$  in the cutting direction and keep the pole hedge trimmer in a horizontal position. Then start trimming the hedge using a swinging movement, much like drawing circle segments with the hedge trimmer shaft.
- To trim the sides of a hedge, align the blades parallel to the surface to be cut and start trimming with semi-circular upward (down-up) movements.
- Pay attention when trimming a hedge close to or against wire fences.
- Do not touch hard objects such as wire fence, stone or ground with the cutting blades. It may cause blades to crack, chip or break.
- Do not use the pole hedge trimmer over an extended period of time. As a general rule, for every 50 minutes of operation take a 10-20 minutes rest.
- If the cutting blades come into contact with stones or other solid objects, stop the engine immediately and check the blades for damage. Replace the blades if damaged.
- If the pole hedge trimmer develops a problem during operation (strange noises, vibration, etc.), immediately stop the engine. Do not use the machine again until the problem has been recognized and solved.
- Always do your utmost to keep pollution and noise emissions as low as possible when operating the pole hedge trimmer. Pay special attention to correct carburetor adjustment.
- If thick branches get jammed in the cutting blades, immediately stop the engine, lay the equipment on the ground and remove the obstruction. Check the blades for damage before using the machine again.





## Adjustment of cutting angle

### Warning:

- Do not operate the tool with the loose and unstable cutter unit.

You can adjust the cutting angle upwards to 45° and downwards to 90°.

1. Stop the pole hedge trimmer engine and lay the machine on the ground.
2. To adjust the angle of the cutter unit, hold the handle (A) on the cutter unit with one hand, and hold the angle lock (B) as illustrated with the other hand.
3. Pull the angle lock gently, and change the angle of the cutter unit. After adjusting the angle, return the angle lock gently.

### Note:

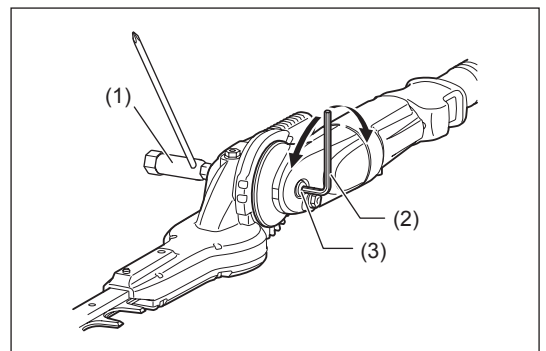
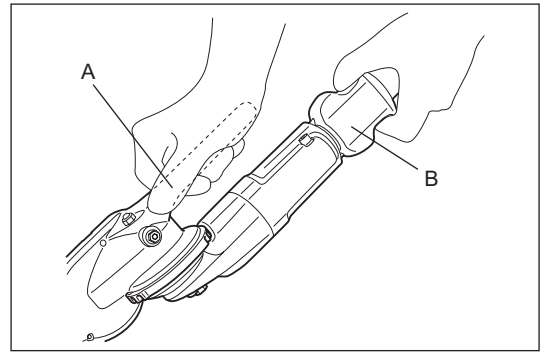
- The cutter unit is fastened only with certain angles alongside the groove on the unit. Make sure the cutter unit sits properly. If the angle is not appropriate, the clutch is cut and the tool does not operate.
- Do not adjust the cutter unit while the pole hedge trimmer is in an upright position.
- Move the I-O switch to the "O" position and lay the pole hedge trimmer flat on the ground to adjust the cutting angle.
- Always secure the blades with the blade cover provided before adjusting cutting angle.

In case the cutter unit is loose, the bolt (the axis of angle adjustment) needs to be tightened.

1. Set the socket wrench (1) and the hex wrench (2) on the bolt (3).
2. Adjust the tightness of the cutter unit by turning the hex wrench, and then fasten the bolt by turning the socket wrench.

### Note:

- Do not fasten the cutter unit too tight. The angle of the cutter unit can not be changed if it is too tight.



## MAINTENANCE

- Before performing any maintenance work on the pole hedge trimmer (blade cleaning, etc.), always stop the engine and wait until the engine has cooled down.  
As an additional safety precaution, also remove the spark plug cap.
- Do not try to straighten or weld bent or broken cutting blades. Always replace damaged blades.
- Stop the engine at regular intervals to check the cutting blades for possible damage (perform a tapping-resonance test to detect hard-to-see hairline cracks). Always make sure that the teeth of the blades are sharp.
- Clean the pole hedge trimmer regularly. During cleaning also check all screws, nuts and bolts are well tightened.
- To reduce the risk of fire, never service or store the pole hedge trimmer in the vicinity of open fires.
- Always wear rugged protective gloves when handling the cutting blades.
- Contact your dealer for replacement cutting blades.
- Never use gasoline, benzine, thinner, alcohol or the like for cleaning.  
Discoloration, deformation or cracks may result.

### Sharpening the blade

If the cutting blades have become blunt and cutting performance is poor, have the blades sharpened by an authorized service agent.

### Adjusting blade clearance

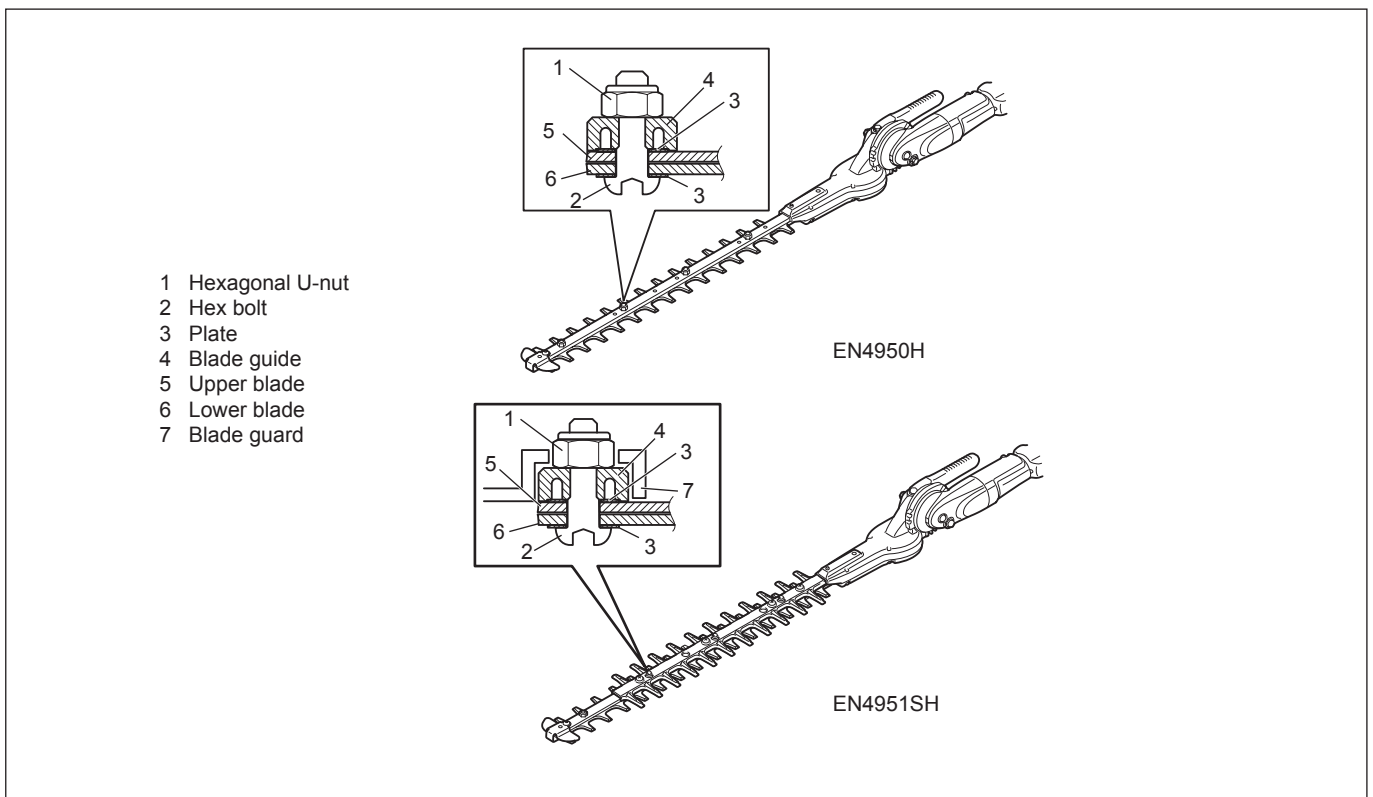
The upper/lower blades wear out gradually after operations. If you cannot get a clean cut though the blades are sharp enough, adjust the clearance as follows.

The tightness of the hex bolt decides the clearance of the blades. The nut holds the hex bolt with certain tightness. Too loose clearance causes blunt cut, but too tight clearance causes unnecessary heat and sooner worn-out of the blades.

1. Loosen the nut (1) with a box or open-ended wrench.
2. Tighten the hex bolt (2) with a hex wrench lightly till it stops. And then, screw it back between a quarter turn and a half turn to gain necessary clearance.
3. Tighten the nut (1), holding the hex bolt (2).
4. Apply light oil on the friction surface of the blades.
5. Start the engine, operate the throttle on and off for a minute.
6. Stop the engine and touch the surface. If they are not too hot to touch, you have made a proper adjustment. If they are too hot to touch, turn the hex bolt (2) back a little and repeat the step 5 to 6.

NOTE: Before making the adjustment, stop the engine and wait for the blades to stop.

The blades have a slot around the hex bolt (2). In case you find dust in the end of any of the slots, clean it.

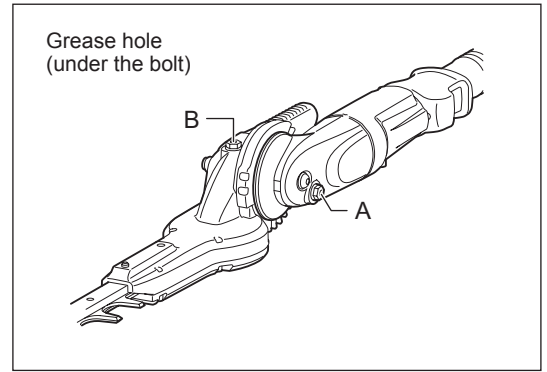


## Adding grease and lubricant

**Important: Make sure that the surface of gear box is completely cold before lubricating.**

- The gearbox of the pole hedge trimmer should be greased every 25 working hours. The grease hole locates under the bolt. Remove the bolt to lubricate. Add approx. 3 g (4 cc) of lubricant to the point A of the gearbox and 5 g (7 cc) of the lubricant to the point B respectively via the grease hole. Return the bolt after lubrication. After filling correct amount of grease, grease will come out a bit from the base of the blade during the first operation.

**CAUTION:** Observe greasing intervals and the amount of grease to be supplied. Mechanical parts of the pole hedge trimmer may be damaged if grease is not supplied at the prescribed intervals or if an insufficient amount of grease is added.



## Daily inspection and maintenance

To ensure a long service life of your pole hedge trimmer, perform the following inspections and maintenance on a daily basis.

- Before use;
  - Always check for loose or missing parts before starting operation. Pay special attention to the cutting unit and make sure that the cutting blade lock screws are well tightened.
  - Check for clogging of the cooling air passages and the cooling fins of the cylinder before starting operation. Clean if necessary.
- After use;
  - Clean the pole hedge trimmer externally and inspect for damage.
  - Clean the air filter. Clean the filter several times a day if working in extremely dusty conditions.
  - Check the cutting blades for damage. Make sure that the blades are securely mounted.
  - If the cutting blades still continue to run at idle after the adjustment, consult your nearest authorized service agent.

## REPLACEMENT OF ENGINE OIL

Deteriorated engine oil will shorten the life of the sliding and rotating parts to a great extent. Be sure to check the period and quantity of replacement.



**DANGER:** In general, the engine main unit and engine oil still remain hot just after the engine is stopped. In replacement of oil, make sure that the engine main unit and engine oil are sufficiently cooled down. Otherwise, there may remain a risk of scald. Allow sufficient time after stopping engine for the engine oil to return to the oil tank to ensure accurate reading of the oil level indicator.

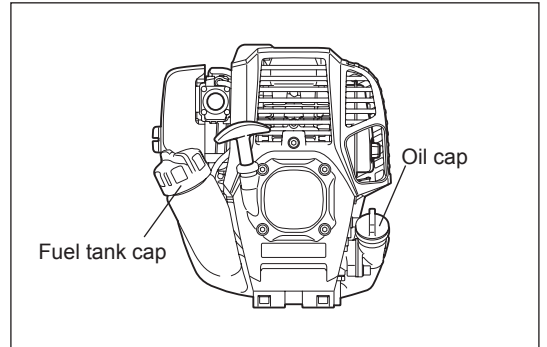
**NOTE:** If the oil filled above the limit, it may become dirty or may catch fire with white smoke.

**Interval of replacement:** After first 20 operating hours, followed by every 50 operating hours

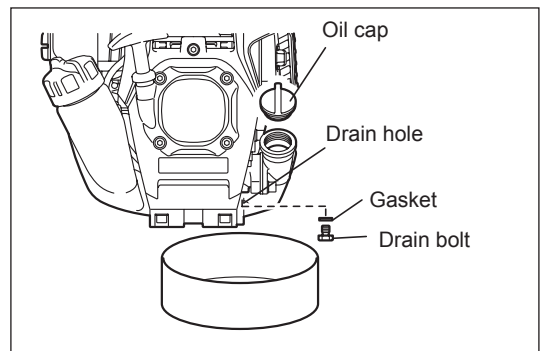
**Recommended oil:** SAE10W-30 oil of API Classification SF Class or higher (4-stroke engine oil for automobile)

In replacement, perform the following procedure.

- 1) Make sure that the fuel tank cap is tightened securely.
- 2) Put large container (pan, etc.) under drain hole.

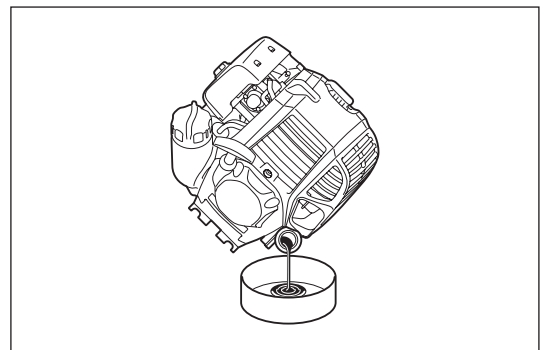


- 3) Remove drain bolt and then remove oil cap to drain out oil from drain hole. At this time, be sure not to mislay drain bolt's gasket, or to dirty any of the removed components.
- 4) Once all the oil has been drained, combine gasket and drain bolt, and tightly secure drain bolt, so that it will not loosen and cause leaks.  
\* Use cloth to fully wipe off any oil attached to bolt and equipment.

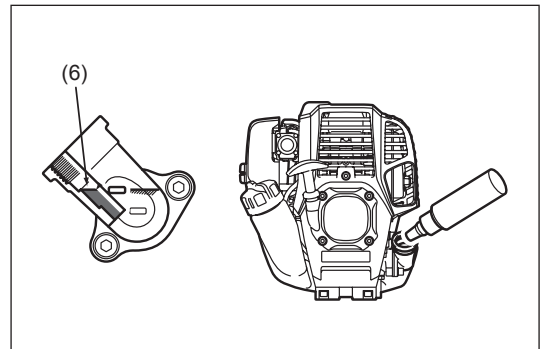
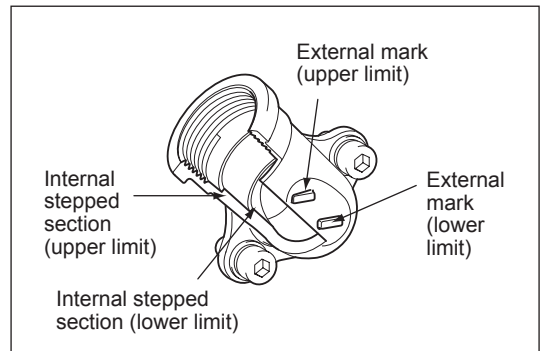


### Alternative draining method

Remove oil cap, tilt pole hedge trimmer toward oil filler hole, and drain out oil. Collect oil in container.



- 5) Set the engine level, and gradually fill up to upper limit mark (6) with new oil.
- 6) After filling, tightly secure oil cap, so that it will not loosen and cause leaks. If oil cap is not tightly secured, it may leak.



#### POINTS ON OIL

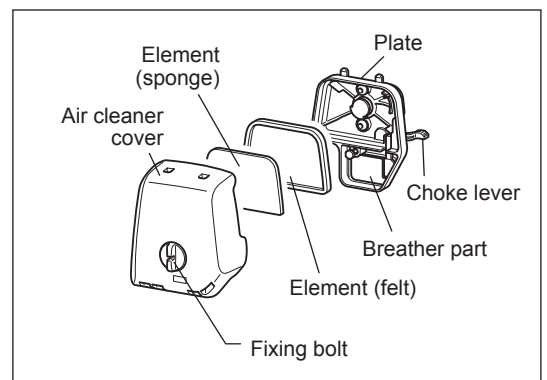
- Never discard replaced engine oil in garbage, earth or sewage ditch. Disposal of oil is regulated by law. In disposal, always follow the relevant laws and regulations. For any points remaining unknown, contact Authorized Service Agent.
- Oil will deteriorate even when it is kept unused. Perform inspection and replacement at regular intervals (replace with new oil every 6 months).

### Cleaning the air cleaner

#### DANGER: Inflammables strictly prohibited

Check and clean the air cleaner daily or every 10 operating hours.

- Turn the choke lever fully to the close side, and keep the carburetor free from dust or dirt.
- Loosen the fixing bolt.
- Remove the air cleaner cover by pulling its bottom side.
- Remove the elements and tap them to remove dirt.
- If the elements are heavily contaminated: Remove the elements, immerse them in warm water or in water-diluted neutral detergent, and dry them completely. Do not squeeze or rub them when washing.
- Before attaching the elements, be sure to dry them completely. Insufficient drying of the elements may lead to difficult startup.
- Wipe out oil adhering around the air cleaner cover and the breather part with waste cloth.
- Fit the element (sponge) into the element (felt).
- Fit the elements into the plate so that the sponge faces the air cleaner cover.
- Immediately attach the cleaner cover and tighten it with fixing bolts. (In remounting, first place the upper claw, and then the lower claw.)



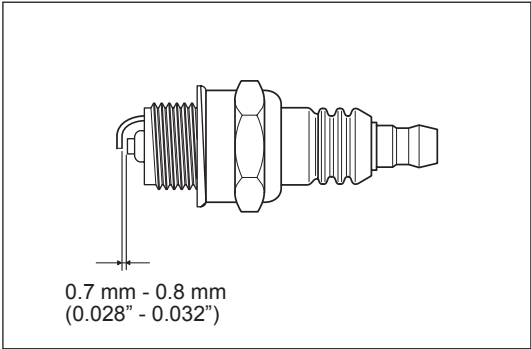
#### NOTICE:

- Clean the elements several times a day, if excessive dust adheres to it. Dirty elements reduce engine power and make starting engine difficult.
- Remove oil on the elements. If operation continues with the elements remaining not cleared of oil, oil in the air cleaner may fall outside, resulting in contamination of the environment.
- Do not put the elements on the ground or dirty place. Otherwise they pick up dirt or debris and it may damage the engine.
- Never use fuel for cleaning the elements. Fuel may damage them.

### CHECKING THE SPARK PLUG

- Only use the supplied universal wrench to remove or to install the spark plug.
- The gap between the two electrodes of the spark plug should be 0.7 - 0.8 mm (0.028" - 0.032"). If the gap is too wide or too narrow, adjust it. If the spark plug is clogged or contaminated, clean it thoroughly or replace it.

CAUTION: Never touch the spark plug connector while the engine is running (danger of high voltage electric shock).



### Cleaning the fuel filter (suction head in the fuel tank)

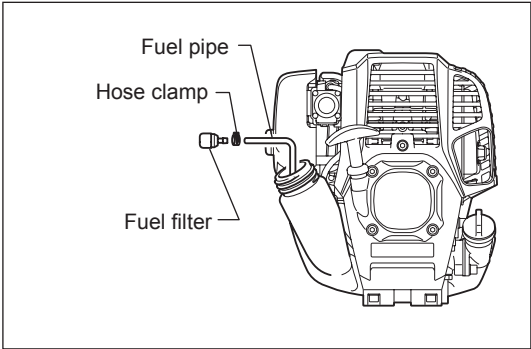
#### WARNING: INFLAMMABLES STRICTLY PROHIBITED

Check and clean the fuel filter monthly or every 50 operating hours.

Check the fuel filter periodically. To check the fuel filter, follow the steps below.

- (1) Remove the fuel tank cap, drain the fuel to empty the tank. Check the tank inside for any foreign materials. If any, remove them.
- (2) Pull out the suction head by using a wire hook through the tank opening.
- (3) If the fuel filter clogged slightly, clean it. To clean it, gently shake and tap it in fuel. To avoid damage, do not squeeze or rub it. The fuel used for the cleaning must be disposed in accordance with the method specified by regulations in your country.  
If the fuel filter became hard or heavily clogged up, replace it.
- (4) After checking, cleaning or replacing, push the fuel filter in all the way to the bottom of the fuel tank.

Clogged or damaged fuel filter can cause insufficient fuel supply and reduce engine power. Replace the fuel filter at least quarterly to ensure satisfactory fuel supply to the carburetor.

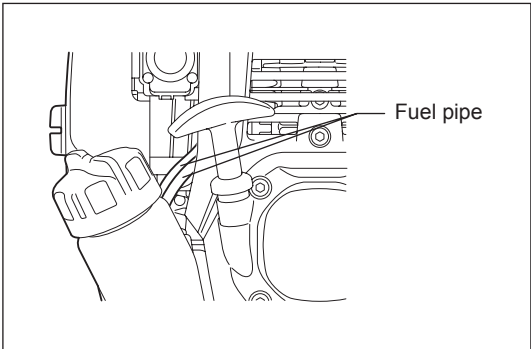


### Replacing the fuel pipe

#### CAUTION: Inflammables strictly prohibited

Check and clean the fuel pipe daily or every 10 operating hours.

Replace the fuel pipe every 200 operating hours or every year regardless of operating frequency. Otherwise fuel leakage may lead to fire. If you find any leakage during inspection, replace the fuel pipe immediately.



### INSPECTION OF BOLTS, NUTS AND SCREWS

- Retighten loose bolts, nuts, etc.
- Check for fuel and oil leakage.
- Replace damaged parts with new ones for safety operation.

### CLEANING OF PARTS

- Keep engine clean by wiping down with a cloth rag.
- Keep the cylinder fins free of dust or dirt. Dust or dirt adhering to the fins will cause piston seizure.

### REPLACEMENT OF GASKETS AND PACKINGS

Replace gaskets and packings if the engine is disassembled.

For any maintenance or adjustment not described in this manual, ask your local MAKITA authorized service center.

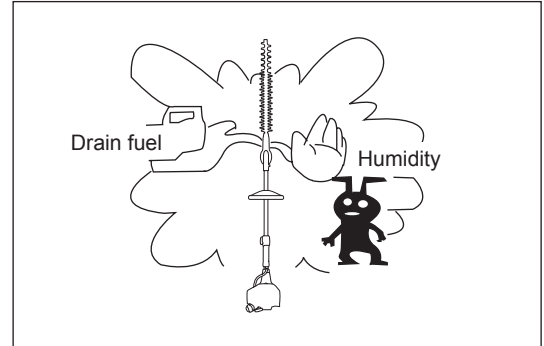
## STORAGE

**WARNING:** When draining the fuel, stop the engine and wait for the engine to cool down.

Failure to do so may cause burns or fire.

**ATTENTION:** When you store the machine for a long time, drain all fuel from the fuel tank and carburetor, and keep it at a dry and clean place.

- Drain fuel from the fuel tank and carburetor according to the following procedure:
  - 1) Remove the fuel tank cap, and drain fuel completely.  
If there is any foreign materials remaining in the fuel tank, remove it completely.
  - 2) Pull out the fuel filter from the refill port using a wire.
  - 3) Push the primer pump until fuel is drained from there, and drain fuel coming into the fuel tank.
  - 4) Reset the filter to the fuel tank, and securely tighten the fuel tank cap.
  - 5) Then, continue to operate the engine until it stops.
- Remove the spark plug, and drip several drops of engine oil through the spark plug hole.
- Gently pull the starter handle so that engine oil will spread over the engine, and attach the spark plug.
- Attach the cover to the cutting blades.
- In general, store the machine in horizontal position. If it is not possible, place the machine as the motor unit comes below the cutting tool. Otherwise engine oil may leak from inside.
- Always pay attention to storing the machine in a safe place to prevent machine damage and personal injury.
- Keep the drained fuel in a special container in a well-ventilated shade.



**Attention after long-time storage**

- Before startup after long-time shutdown, be sure to replace oil (refer to P20). Oil will deteriorate while the machine is kept out of operation.

Item	Operating time	Before operation	Daily (10h)	25h	50h	200h	Shutdown/ rest	Corresponding P
Engine oil	Inspect	○						11
	Replace				○*1			20
Tightening parts (bolt, nut)	Inspect	○						22
Fuel tank	Clean/inspect	○						-
	Drain fuel						○*3	23
Throttle lever	Check function	○						13
Stop switch	Check function	○						13, 15
Cutting blades	Inspect	○	○					13, 18
Low-speed rotation	Inspect/adjust		○					15
Air cleaner	Clean		○					21
Ignition plug	Inspect		○					22
Cooling air duct	Clean/inspect		○					22
Fuel pipe	Inspect		○					22
	Replace					◎*2		-
Gear-case grease	Refill			○				19
Fuel filter	Clean/replace				○			22
Clearance between air intake valve and air discharge valve	Adjust					◎*2		-
Engine overhaul						◎*2		-
Carburetor	Drain fuel						○*3	23

\*1 Perform initial replacement after 20h operation.

\*2 For the 200 operating hour inspection, request Authorized Service Agent or a machine shop.

\*3 After emptying the fuel tank, continue to run the engine and drain fuel in the carburetor.



## TROUBLESHOOTING

Before making a request for repairs, check a trouble for yourself. If any abnormality is found, control your machine according to the description of this manual. Never tamper or dismount any part contrary to the description. For repairs, contact Authorized Service Agent or local dealership.

State of abnormality	Probable cause (malfunction)	Remedy
Engine does not start	Failure to operate primer pump	Push 7 to 10 times
	Low pulling speed of starter rope	Pull strongly
	Lack of fuel	Feed fuel
	Clogged fuel filter	Clean
	Broken fuel tube	Straighten fuel tube
	Deteriorated fuel	Deteriorated fuel makes starting more difficult. Replace with new one. (Recommended replacement: 1 month)
	Excessive suction of fuel	Set throttle lever from medium speed to high speed, and pull starter handle until engine starts. <b>Once engine starts, cutting blades start moving. Pay full attention to cutting blades.</b> If engine will not start still, remove spark plug, make electrode dry, and reassemble them as they originally are. Then, start as specified.
	Detached plug cap	Attach securely
	Contaminated spark plug	Clean
	Abnormal clearance of spark plug	Adjust clearance
	Other abnormality of spark plug	Replace
	Abnormal carburetor	Make request for inspection and maintenance.
	Starter rope cannot be pulled	Make request for inspection and maintenance.
	Abnormal drive system	Make request for inspection and maintenance.
Engine stops soon Engine speed does not increase	Insufficient warm-up	Perform warm-up operation
	Choke lever is set to "H" although engine is warmed up.	Set to "III"
	Clogged fuel filter	Clean or replace
	Contaminated or clogged air cleaner	Clean
	Abnormal carburetor	Make request for inspection and maintenance.
	Abnormal drive system	Make request for inspection and maintenance.
Cutting blade does not move ↓ Stop engine immediately	Inappropriate angle of cutter unit	Make sure the angle lock engages properly.
	Loosened cutting blades-tightening nut	Tighten securely
	Twigs caught by cutting blades.	Remove foreign matter
	Abnormal drive system	Make request for inspection and maintenance.
Main unit vibrates abnormally ↓ Stop engine immediately	Broken, bent or worn cutting blades	Replace cutting blades
	Loosened cutting blades-tightening nut	Tighten securely
	Abnormal drive system	Make request for inspection and maintenance.
Cutting blades do not stop immediately ↓ Stop engine immediately	High idling rotation	Adjust
	Detached throttle wire	Attach securely
	Abnormal drive system	Make request for inspection and maintenance.
Engine does not stop ↓ Run engine at idling, and set choke lever to "H"	Detached connector	Attach securely
	Abnormal electric system	Make request for inspection and maintenance.

When the engine does not start after warm-up operation:  
If there is no abnormality found for the check items, open the throttle by about 1/3 and start the engine.

Щиро дякуємо Вам за вибір штангової пили для підрізання живоплоту MAKITA. Ми із задоволенням пропонуємо Вам продукт, що є результатом широкомасштабної програми розвитку та багаторічного знання й досвіду.

Для того щоб робота зі штанговою пилою MAKITA для підрізання живоплоту була якомога безпечнішою та ефективнішою, будь ласка, перш ніж починати використання інструмента, уважно прочитайте ці інструкції з експлуатації та дотримуйтесь наведених указівок щодо роботи зі штанговою пилою MAKITA для підрізання живоплоту.



## Зміст

## Сторінка

Позначення.....	26
Інструкції з техніки безпеки .....	27
Технічні дані .....	32
Призначення частин .....	33
Збирання .....	34
Плечовий ремінь (додаткове приладдя) .....	34
Пальне/заправлення.....	35
Заходи безпеки перед запуском двигуна .....	37
Використання штангової пили для підрізання живоплоту.....	40
Обслуговування .....	42
Зберігання .....	47
Виявлення та усунення несправностей .....	49

## ПОЗНАЧЕННЯ

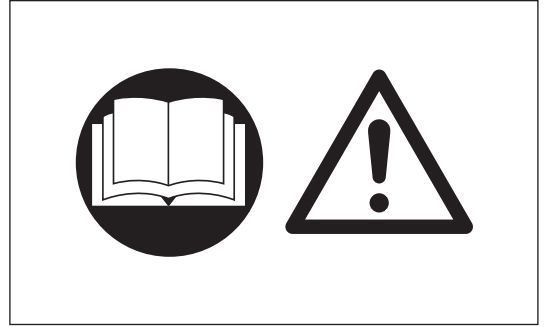
Будь ласка, під час читання цих інструкцій з експлуатації зверніть увагу на такі позначення.

	УВАГА/НЕБЕЗПЕКА		Стережіться защемлення
	Перш ніж починати використання інструмента, уважно прочитайте ці інструкції з експлуатації та зрозумійте усі наведені в них указівки		Тримайтеся подалі від ліній електропередач через небезпеку ураження електричним струмом
	ЗАБОРОНА		Пальне (бензин)
	Не палити		Ручний запуск двигуна
	Не використовуйте поблизу відкритого вогню		Аварійне зупинення
	Надягайте захисне взуття		Перша допомога
	Надягайте захисні рукавиці		УВІМК./ПУСК
	Не допускайте сторонніх осіб та домашніх тварин до робочої зони		ВИМК./ЗУПИНЕННЯ
	Надягайте захисний шолом і засоби захисту зору та слуху		

## ІНСТРУКЦІЇ З ТЕХНІКИ БЕЗПЕКИ

### Загальні положення

- Перш ніж починати використання, уважно прочитайте ці інструкції з експлуатації та ознайомтеся із правилами належної експлуатації штангової пили для підрізування живоплоту. **НЕНАЛЕЖНЕ ВИКОРИСТАННЯ ЦЬОГО ІНСТРУМЕНТА МОЖЕ ПРИЗВЕСТИ ДО СЕРІОЗНИХ ТРАВМ!**
- Якщо Ви передаєте цю штангову пилу для підрізування живоплоту іншій особі, завжди надавайте також і докладні вказівки щодо її належного використання. Разом зі штанговою пилою для підрізування живоплоту слід також передавати й інструкції з її експлуатації.
- Особи, які користуються цим пристроєм вперше, повинні попросити дилера надати основні інструкції щодо належного поводження зі штанговою пилою для підрізування живоплоту.
- Зберігайте ці інструкції з експлуатації у надійному місці, щоб до них було легко отримати доступ у разі необхідності.
- Не допускайте до роботи зі штанговою пилою для підрізування живоплоту осіб віком до 18 років. Особи, яким більше 16 років, можуть використовувати штангову пилу для підрізування живоплоту у навчальних цілях, але під постійним наглядом дорослої особи, ознайомленої з правилами експлуатації штангової пили для підрізування живоплоту.
- Штанговою пилою для підрізування живоплоту слід завжди користуватись із максимальною обережністю та увагою.
- Ніколи не намагайтесь внести зміни до конструкції інструмента.
- Дотримуйтесь прийнятих у Вашій країні норм законодавства щодо належного використання штангових пил для підрізування живоплоту.
- Використання штангової пили для підрізування живоплоту за наведених нижче умов може призвести до серйозних травм. Не використовуйте штангову пилу для підрізування живоплоту:
  - У разі втоми чи хворобливого стану.
  - У стані алкогольного сп'яніння та/або під впливом лікарських засобів.
  - Уночі або за умов поганого освітлення.
  - Під час вагітності.

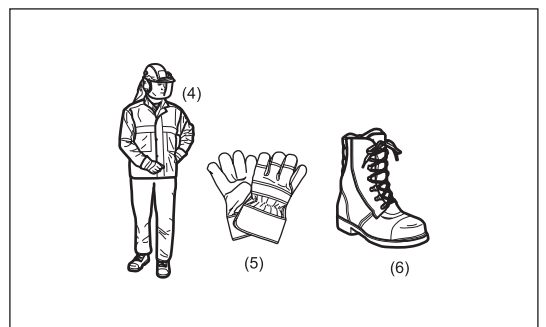
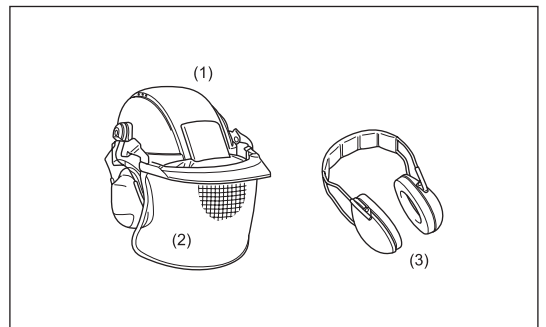


### Використання за призначенням

- Ця штангова пила для підрізування живоплоту призначена виключно для підстригання кущів та живої огорожі. Не використовуйте штангову пилу для підрізування живоплоту для будь-яких інших цілей.

### Засоби індивідуального захисту

- Надягайте добре припасований функціональний одяг, який не обмежує Ваших рухів. Заборонено надягати біжутерію або одяг, який може застрягти у кущах або в інструменті.
- З метою належного захисту від травмування голови, очей, рук або ніг, а також для захисту органів слуху під час роботи зі штанговою пилою для підрізування живоплоту слід використовувати такі засоби захисту та захисний одяг.
- Щоб запобігти травмам голови та очей, завжди надягайте захисний шолом (1) із захисними окулярами або захисним склом (2).
- Щоб запобігти ушкодженню органів слуху, завжди використовуйте відповідні засоби захисту органів слуху (3).
- Настійно рекомендується використовувати добре припасований робочий комбінезон (4).
- Під час використання штангової пили для підрізування живоплоту завжди надягайте робочі рукавиці із товстої шкіри (5).
- Використовуючи штангову пилу для підрізування живоплоту, завжди надягайте міцне взуття (6) з підшвами, що не ковзають. Спеціальне робоче взуття захистить Вас від травм та забезпечить стійку опору на ноги.
- Використовуйте захисні рукавиці під час торкання ріжучих полотен або ріжучої частини. Інакше Ви можете серйозно поранити руки.



### Безпека робочої зони

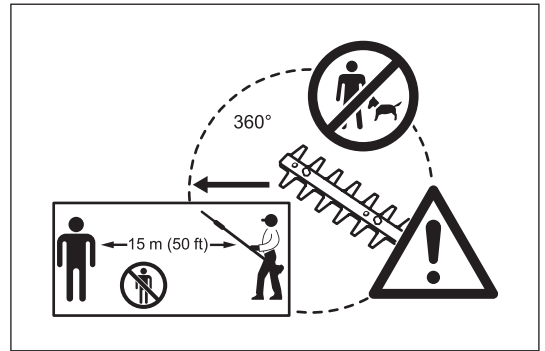
- **⚠ НЕБЕЗПЕКА:** Тримайте штангову пилу для підрізування живоплоту подалі від електроліній і кабелів зв'язку. Контакт штангової пили для підрізування живоплоту з високовольтними лініями або наближення до них може призвести до смерті або до серйозної травми. Перш ніж починати роботу, звертайте увагу на лінії високої напруги та на електричні огорожі, що знаходяться поблизу робочої зони.
- Запускайте двигун та використовуйте інструмент тільки поза приміщенням у добре вентильованому місці. Робота в обмеженому або недостатньо вентильованому місці може призвести до смерті внаслідок задухи або отруєння чадним газом.
- Під час роботи сторонні особи, особливо діти, та тварини повинні знаходитися на відстані не менше ніж 15 м від штангової пили для підрізування живоплоту. У разі наближення будь-якої особи або тварини слід негайно зупинити двигун.
- Перш ніж починати використовувати інструмент, слід звертати увагу на дротяну огорожу, каміння або інші тверді предмети, які можуть знаходитися поблизу місця роботи. Вони можуть пошкодити ріжучі полотна.
- **⚠ УВАГА:** У процесі використання цього інструмента може утворюватися пил, що містить хімікати, які можуть призвести до ураження дихальних шляхів або викликати інші хвороби. Деякі з таких хімікатів містяться у пестицидах, інсектицидах, добривах та гербіцидах. Ризик негативного впливу таких речовин залежить від частоти виконання Вами такого виду роботи. Щоб зменшити вплив таких хімічних речовин: слід працювати в добре вентильованому місці та використовувати рекомендовані засоби індивідуального захисту, наприклад пилозахисні маски, які спеціально призначені для фільтрації мікроскопічних часток.



## Запуск штангової пили для підрізування живоплоту

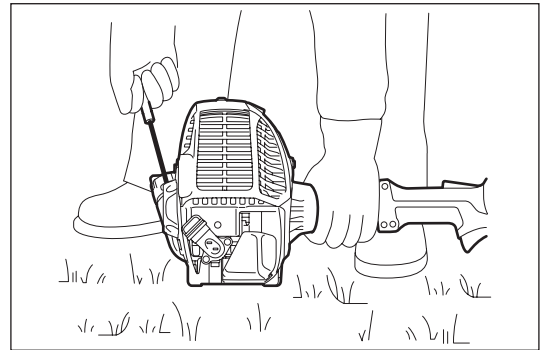
- Перш ніж проводити збирання або налаштування інструмента, зупиняйте двигун та знімайте ковпачок свічки запалювання.
- Перед запуском штангової пили для підрізування живоплоту завжди перевіряйте, що інструмент знаходиться у безпечному робочому стані.
- Ніколи не намагайтеся запустити двигун, якщо інструмент пошкоджений.
- Перевіряйте роботу запобіжного механізму важеля постачання пального. Перевіряйте, щоб важіль блокування переміщався плавно і без зайвих зусиль. Слідкуйте за тим, щоб важіль блокування працював належним чином. Слідкуйте за тим, щоб ручки були чистими та сухими, а також перевіряйте функціональність пускового перемикача.

Запуск штангової пили для підрізування живоплоту слід завжди здійснювати згідно з указівками, наведеними у цих інструкціях з експлуатації.



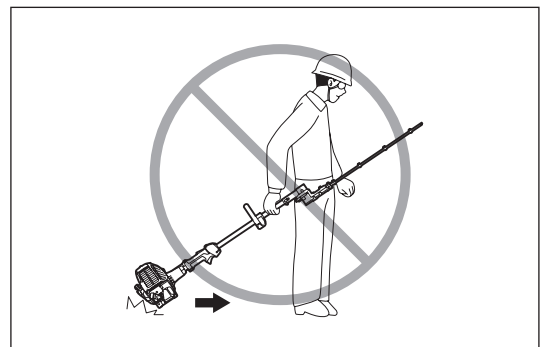
## Для запуску штангової пили для підрізування живоплоту слід дотримуватися наведених нижче вказівок

- Штангову пилу для підрізування живоплоту слід запускати тільки у повністю зібраному стані після приєднання усіх елементів приладдя.
- Під час запуску двигуна тримайтеся якнайдалі від ріжучих полотен, а також слідкуйте за тим, щоб вони не чіпали інші об'єкти та не торкалися землі. Під час запуску ріжучі полотна можуть раптово зрушити з місця, і це може спричинити серйозні травми, пошкодити самі ріжучі полотна та/або інше майно.
- Перед запуском двигуна слід перевіряти, щоб ріжучі полотна не торкалися сторонніх предметів, наприклад, гілля, каміння тощо.
- У випадку виникнення будь-яких проблем із двигуном його треба негайно зупинити.
- Тягнувши за ручку стартера, надійно притискайте інструмент до землі лівою рукою. Ніколи не наступайте на приводний вал.
- Якщо ріжучі полотна продовжують рухатись, коли інструмент працює на холостому ході, слід зупинити двигун та зменшити швидкість холостого ходу.
- Під час використання штангової пили для підрізування живоплоту завжди міцно тримайте її за обидві ручки. Надійно охоплюйте пальцями кожну ручку таким чином, щоб вона знаходилася між великим та вказівним пальцем. Щоб не втратити контроль над штанговою пилою для підрізування живоплоту, не перехоплюйте ручки під час роботи з інструментом. Слідкуйте за тим, щоб ручки керування були в належному стані та на них не було волого, смоли або мастила.



## Постійно слідкуйте за надійним, стійким положенням ніг

- У разі виникнення проблем із двигуном або якщо інструмент під час роботи починає видавати незвичайні звуки, негайно зупиняйте двигун та припиняйте роботу з інструментом.
- Вихлопні гази є отруйними. Ніколи не використовуйте інструмент у закритому приміщенні або у невентильованому тунелі (існує небезпека задухи або отруєння газами). Майте на увазі, що чадний газ не має запаху. Завжди слідкуйте за тим, щоб місце, де працює двигун, було добре вентильованим.
- Коли Ви відпочиваєте або залишаєте штангову пилу для підрізування живоплоту без нагляду, зупиняйте двигун. Кладіть інструмент у безпечному місці та переконайтеся, що поблизу немає легкозаймистих матеріалів.
- Ніколи не кладіть гарячу штангову пилу для підрізування живоплоту на суху траву або на поверхню із займистого матеріалу.
- Щоб знизити небезпеку займання, не допускайте потрапляння сміття, листя або надмірної кількості мастила у двигун та глушитель.
- Ніколи не користуйтеся двигуном, якщо глушитель працює неналежним чином.
- Вимикайте двигун перед транспортуванням.
- Завжди зупиняйте двигун, коли:
  - Відпочинок
  - Транспортування інструмента
  - Чищення інструмента
  - Заправлення інструмента
  - Проведення технічного обслуговування інструмента
  - Усунення проблем, що виникли з інструментом
- При перенесенні до іншого місця інструмент повинен перебувати у горизонтальному положенні, тому його слід тримати за вал. Тримайте гарячий глушитель подалі від тіла.
- Під час перевезення інструмента у транспортному засобі штангову пилу для підрізування живоплоту слід завжди надійно закріплювати, щоб запобігти витіканню залишків пального.
- Перш ніж перевозити штангову пилу для підрізування живоплоту у транспортному засобі, завжди зливайте все пальне із паливного баку.
- Під час знімання інструмента з транспортного засобу будьте особливо обережними, щоб не упустити штангову пилу для підрізування живоплоту на землю, оскільки це може серйозно пошкодити паливний бак.
- За винятком випадків надзвичайної ситуації, ніколи не кидайте штангову пилу для підрізування живоплоту на землю, оскільки це може призвести до серйозного пошкодження інструмента.
- Якщо Ви переносите штангову пилу для підрізування живоплоту в інше місце, завжди піднімайте її над поверхнею землі. Ніколи не тягніть двигун по землі, оскільки це може призвести до пошкодження паливного баку та спричинити пожежу.
- Щоб захистити та зафіксувати ріжучу частину штангової пили для підрізування живоплоту під час транспортування та зберігання інструмента, завжди використовуйте кришку ріжучого полотна, яка входить до комплекту постачання.
- Якщо інструмент зазнав серйозного удару або впав, перш ніж продовжувати роботу слід перевірити його стан. Перевіряйте паливну систему на наявність витікання пального, а також належне функціонування усіх важелів керування та засобів безпеки. Якщо Ви виявили пошкодження або якщо у Вас виникли будь-які сумніви, звертайтеся до нашого авторизованого сервісного центру для проведення огляду інструмента та його ремонту.

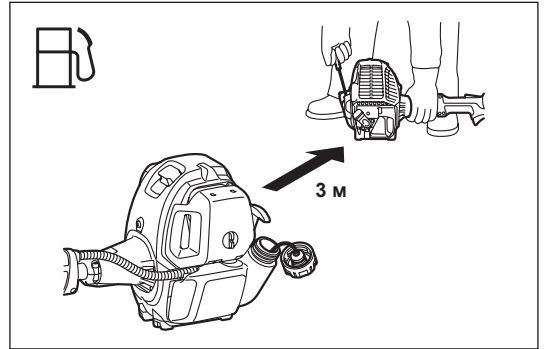
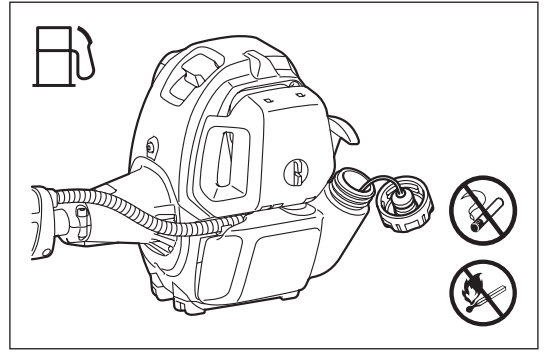


## Заправлення

- Перед заправленням інструмента зупиняйте двигун.
- Ніколи не заправляйте інструмент поблизу відкритого вогню.
- Під час заправлення інструмента не паліть.
- Після зупинення двигуна слід зачекати протягом достатнього часу, поки двигун охолоне, та тільки потім можна розпочинати заправлення.
- Уникайте контакту шкіри із нафтопродуктами. Під час заправлення не вдихайте пари бензину та завжди надягайте захисні рукавиці.
- Регулярно замінійте та чистьте захисний одяг.
- Щоб не допустити забруднення ґрунту, будьте надзвичайно уважними та не пролийте бензин або мастило (захист навколишнього середовища). Якщо Ви пролили на штангову пилу для підрізування живоплоту бензин або мастило, негайно протріть поверхню штангової пили для підрізування живоплоту ганчіркою. Щоб запобігти раптовому займанню, зачекайте протягом достатнього часу, доки ганчірка висохне; потім її слід викинути у відповідний контейнер для сміття, обладнаний кришкою.
- Слідкуйте за тим, щоб пальне не потрапляло на Ваш одяг. Якщо пальне потрапило на одяг, його слід негайно замінити (небезпека займання).
- Закрийте паливний бак та надійно затягніть кришку паливного баку. Перед повторним запуском двигуна перенесіть штангову пилу для підрізування живоплоту принаймні на 3 метри від місця заправлення.
- Регулярно перевіряйте кришку паливного баку, щоб переконатися, що вона надійно затягнута.
- Ніколи не заправляйте інструмент у закритому приміщенні. Випаровування пального збираються на рівні підлоги (небезпека вибуху).
- Зберігайте пальне виключно у призначених для цього контейнерах у недосяжному для дітей місці.

## Робота

- У випадку надзвичайної ситуації негайно вимикайте двигун.
- Якщо під час експлуатації інструмента Ви помітите будь-які непередбачені зміни у характері його роботи (наприклад, шум або вібрацію), зупиняйте двигун. Не використовуйте штангову пилу для підрізування живоплоту, доки причина несправності не буде знайдена та усунена.
- Леза продовжуватимуть рухатись протягом короткого часу, після того як Ви відпустите важіль постачання пального або вимкнете двигун. Не поспішайте торкатися ріжучих полотен.
- Ніколи не намагайтеся керувати інструментом, тримаючи його однією рукою. Утрата контролю може призвести до серйозних або навіть смертельних травм. Щоб зменшити ризик отримання травм, не наближайте ріжучі полотна до рук та ніг.
- Під час роботи тримайте праву руку не вище рівня плечей. Інакше Ви можете отримати травми внаслідок втрати контролю над інструментом.
- Під час роботи уникайте контакту ріжучих полотен із твердими перешкодами, наприклад камінням або металевими предметами. Будьте особливо уважними під час різання живоплоту, що росте на огорожі з дроту або біля неї. Під час роботи близько від землі слідкуйте за тим, щоб між ріжучими полотнами не потрапляли пісок, гравій або каміння.
- У разі контактування ріжучих полотен із камінням або іншими твердими предметами, негайно зупиняйте двигун і перевіряйте ріжучі полотна на наявність пошкоджень, попередньо знявши ковпачок свічки запалювання. У разі наявності пошкоджень замінійте ріжучі полотна.
- Ніколи не торкайтеся ріжучих полотен та не наближайте до них, коли вони рухаються. Леза можуть легко порізати Ваш палець. Під час роботи з ріжучими полотнами або наближення до них зупиняйте двигун та знімайте ковпачок свічки запалювання.
- У разі потраплення між ріжучими полотнами товстих гілок негайно вимикайте двигун, кладіть штангову пилу для підрізування живоплоту на землю та видаляйте перешкоди, попередньо знявши ковпачок свічки запалювання. Перед продовженням використання перевіряйте ріжучі полотна на наявність пошкоджень.
- Збільшення швидкості обертання двигуна при заблокованих ріжучих полотнах призводить до підвищення навантаження, що може спричинити пошкодження двигуна та/або зчеплення.
- Регулярно під час роботи перевіряйте ріжучі полотна на наявність тріщин і тупих кромок. Перш ніж проводити перевірку, вимикайте двигун та чекайте, поки ріжучі полотна повністю зупиняться. Негайно замінійте пошкоджені або затуплені ріжучі полотна, навіть якщо на них є лише поверхневі тріщини.
- Не торкайтеся редуктора. Редуктор нагрівається під час роботи.
- Відпочивайте, щоб не допустити втрати контролю внаслідок перевтомлення. Ми рекомендуємо робити паузу на 10–20 хвилин після кожної години роботи.
- Перед тим як розпочинати різання, слід потягнути важіль постачання пального до упору, щоб досягти максимальної швидкості.
- Під час роботи завжди тримайте штангову пилу для підрізування живоплоту двома руками.
- Використовуйте штангову пилу для підрізування живоплоту тільки за умов достатнього освітлення та видимості. У холодну пору року (небезпека ковзання) бережіться слизьких або вологих ділянок (снігу або льоду), а також подбайте про стійку опору на ноги.
- Ніколи не використовуйте штангову пилу для підрізування живоплоту, знаходячись на нестійкій поверхні або на крутому схилі.
- Ніколи не використовуйте штангову пилу для підрізування живоплоту, стоячи на драбині.
- Ніколи не піднімайтесь на дерево задля використання штангової пили для підрізування живоплоту.
- Щоб уникнути зіткнення зі сторонніми предметами або падіння, ніколи не робіть кроків назад під час роботи зі штанговою пилою для підрізування живоплоту.
- Перш ніж проводити чищення або технічне обслуговування інструмента, завжди вимикайте двигун. Крім того, обов'язково зупиняйте двигун перед проведенням заміни будь-яких деталей інструмента.
- Не використовуйте штангову пилу для підрізування живоплоту у разі пошкодження або зношування ріжучої частини.



## Вібрація

- Людина, яка має поганий кровообіг та постійно стикається із сильною вібрацією, може здобути порушення кровоносних судин або нервової системи. Вібрація може спричинити наведені нижче симптоми з боку пальців, рук або зап'ястя: "засинання" (оніміння), дзенькіт у вухах, біль, гострий біль, зміна структури або кольору шкіри. За наявності хоча б одного з цих симптомів обов'язково звертайтеся до лікаря!
- Щоб зменшити ризик отримання синдрому білих пальців, слід тримати інструмент та приладдя у належному стані та дбати про те, щоб руки під час роботи залишалися теплими.

## Інструкції щодо технічного обслуговування

- Обслуговування інструмента має проводитися лише у нашому авторизованому сервісному центрі із використанням оригінальних замінних частин. Технічне обслуговування та ремонт, проведені неналежним чином, можуть призвести до скорочення терміну служби інструмента та до підвищення ризику виникнення нещасних випадків.
- Під час використання штангової пили для підрізування живоплоту завжди докладайте усіх зусиль, щоб звести до мінімуму забруднення навколишнього середовища та шумовий вплив. Приділяйте особливу увагу належному налаштуванню карбюратора.
- Регулярно чистьте штангову пилу для підрізування живоплоту та перевіряйте, чи надійно затягнуті всі гвинти та гайки.
- Ніколи не здійснюйте технічне обслуговування штангової пили для підрізування живоплоту та не кладіть її на зберігання неподалік від відкритого вогню, джерела іскор тощо.
- У жодному разі не ремонтуйте зігнуті або поламані ріжучі полотна шляхом вирівнювання або зварювання. Це може призвести до відлітання частин ріжучих полотен, що спричинить серйозні травми. Їхню заміну на оригінальні ріжучі полотна MAKITA повинні виконувати співробітники авторизованого сервісного центру MAKITA.
- Щоб запобігти пошкодженню інструмента або отриманню травм, не намагайтеся самотужки відремонтувати штангову пилу для підрізування живоплоту, якщо Ви не маєте для цього відповідних прав. З питань ремонту звертайтеся до співробітника авторизованої станції технічного обслуговування або до місцевого дилера компанії.

Не намагайтеся внести зміни до конструкції штангової пили для підрізування живоплоту, оскільки це може негативно позначитися на безпеці роботи інструмента.

Технічне обслуговування, покладене на користувача, обмежується діями, описаними в цій інструкції. Усі інші роботи повинні виконуватися співробітником авторизованої станції технічного обслуговування.

Регулярно звертайтеся до авторизованого сервісного центру MAKITA для перевірки штангової пили для підрізування живоплоту та її технічного обслуговування. Використовуйте тільки оригінальні запасні частини та приладдя, що постачаються авторизованими сервісними центрами компанії MAKITA. Використання nereкомендованого приладдя та інструментів може підвищити ризик нещасного випадку та отримання травм. Компанія MAKITA не несе відповідальності за нещасні випадки або пошкодження, що сталися в результаті використання nereкомендованого приладдя або запасних частин.

## Зберігання

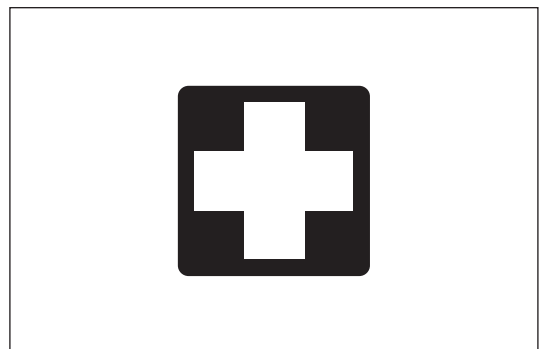
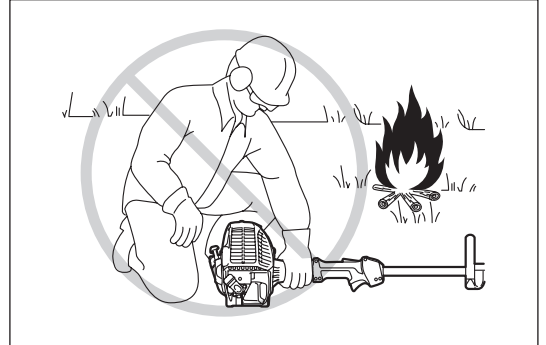
- Готуючи інструмент до зберігання, його слід ретельно почистити та провести його технічне обслуговування. Слід установити кришку ріжучого полотна.
- Перш ніж покласти інструмент на зберігання, слід злити усе паливне з паливного баку; зберігати штангову пилу для підрізування живоплоту слід у добре вентильованому приміщенні, що закривається на ключ. Завжди зберігайте штангову пилу для підрізування живоплоту у недоступному для дітей місці.
- Забороняється зберігати інструмент, притуливши його до чогось, наприклад до стіни. Штангова пила для підрізування живоплоту може несподівано впасти та спричинити травми.

## Перша допомога

Медична аптечка з усіма необхідними засобами першої допомоги повинна завжди бути поруч; вона знадобиться Вам у разі нещасного випадку. Слід одразу ж замінювати предмети з аптечки, які були використані.

## Викликаючи допомогу у випадку надзвичайної ситуації, слід надавати таку інформацію:

- Місце нещасного випадку
- Що сталося
- Кількість поранених людей
- Серйозність травм
- Ваше ім'я



**Тільки для країн Європи**

**Декларація про відповідність стандартам ЄС**

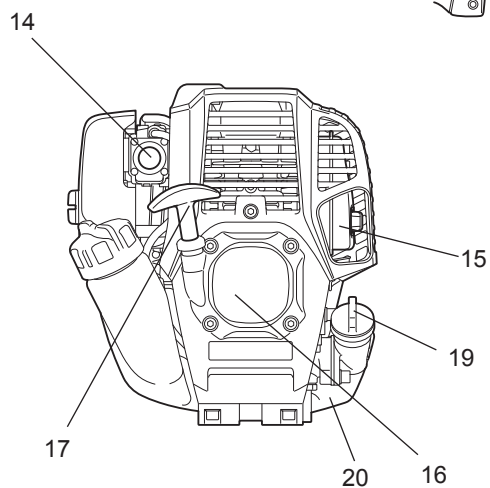
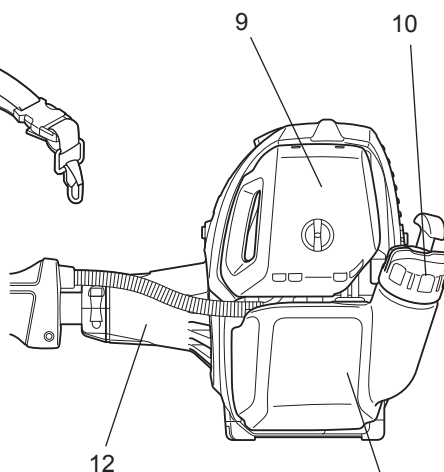
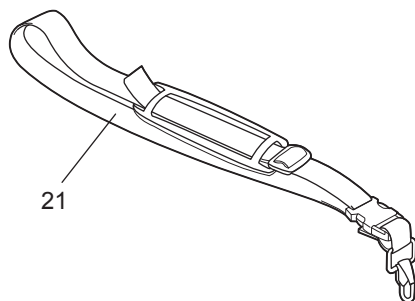
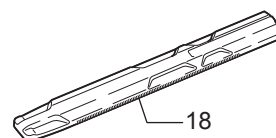
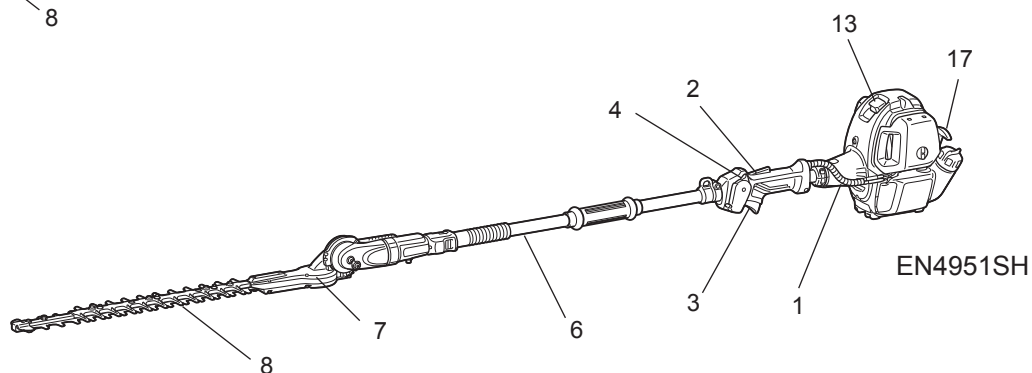
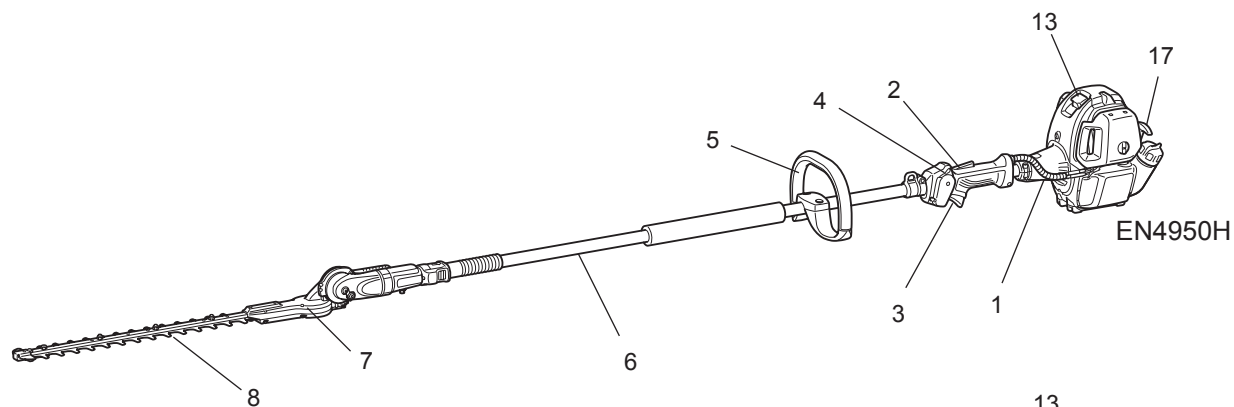
Декларація про відповідність стандартам ЄС входить до цих інструкцій з експлуатації як Додаток А.

## ТЕХНІЧНІ ДАНІ

Модель	EN4950H		EN4951SH	
	Ручка-дужка		Пряма ручка	
Розміри (Д x Ш x В)	2550 мм x 242 мм x 241 мм		2050 мм x 221 мм x 241 мм	
Вага нетто	6,9 кг		6,6 кг	
Об'єм (паливного баку)	0,6 л			
Довжина різання	490 мм			
Максимальний діаметр гілки	7 мм			
Робочий хід	4200 хв <sup>-1</sup> (об/хв)			
Тип двигуна	4-тактний, із повітряним охолодженням, одноциліндровий			
Робочий об'єм двигуна	25,4 см <sup>3</sup>			
Максимальна продуктивність двигуна	0,77 кВт при 7000 хв <sup>-1</sup>			
Швидкість двигуна при рекомендованій максимальній швидкості шпинделя	10000 хв <sup>-1</sup>			
Витрата пального	0,33 кг/год			
Спеціальна витрата пального	408 г/кВтгод			
Швидкість холостого ходу	3000 хв <sup>-1</sup>			
Швидкість включення зчеплення	4400 хв <sup>-1</sup>			
Карбюратор (діафрагмовий карбюратор)	Діафрагмовий тип			
Свічка запалювання тип	NGK CMR4A			
Відстань між електродами	0,7–0,8 мм			
	Вібрація згідно з ISO 10517		Вібрація згідно з ISO 10517	
Права ручка (задня ручка)	$a_{hv\ eq}$	8,5 м/с <sup>2</sup>	7,0 м/с <sup>2</sup>	
	Похибка (К)	1,3 м/с <sup>2</sup>	3,1 м/с <sup>2</sup>	
Ліва ручка (передня ручка)	$a_{hv\ eq}$	6,4 м/с <sup>2</sup>	5,1 м/с <sup>2</sup>	
	Похибка (К)	2,6 м/с <sup>2</sup>	1,5 м/с <sup>2</sup>	
	Рівень шуму відповідно до ISO 10517		Рівень шуму відповідно до ISO 10517	
Рівень звукового тиску	90 dB (A)		90,2 dB (A)	
Похибка (К)	1,8 dB (A)		1,0 dB (A)	
Рівень акустичної потужності	103,0 dB (A)		104,1 dB (A)	
Похибка (К)	1,0 dB (A)		0,4 dB (A)	
Пальне	Автомобільне пальне (бензин)			
Моторне мастило	Мастило класу SF або вище за класифікацією API або SAE 10W-30 (мастило для 4-тактного автомобільного двигуна)			
Передатне відношення	1/4,78			



## ПРИЗНАЧЕННЯ ЧАСТИН



	Призначення частин
1	Трос постачання пального
2	Важіль блокування
3	Важіль постачання пального
4	Пусковий перемикач
5	Ручка
6	Вал
7	Редуктор
8	Ріжуче полотно
9	Повітряний фільтр
10	Кришка паливного баку
11	Паливний бак
12	Корпус муфти зчеплення
13	Ковпачок свічки запалювання
14	Насос підкачування
15	Глушитель
16	Ручний стартер
17	Ручка стартера
18	Кришка для ріжучого полотна
19	Кришка баку для мастила
20	Бак для мастила
21	Плечовий ремінь (додаткове приладдя)

## ЗБИРАННЯ

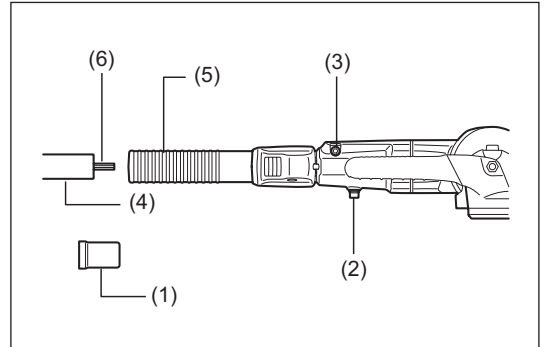
### ⚠ УВАГА:

- Перш ніж проводити збирання штангової пили для підрізування живоплоту, слід вимкнути двигун та зняти ковпачок свічки запалювання.
- Надягайте захисні рукавиці!
- При приєднанні ріжучої частини до штанги на ріжучі полотна слід прикріпити кришку ріжучого полотна, що входить до комплекту постачання.

1. Зніміть кришку (1) з валу.
2. Послабте болт M5 x 16 (2) та болт M5 x 25 (3).
3. Уставте вал (4) у кожух (5).

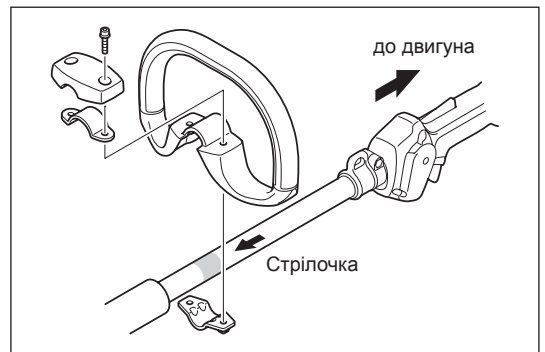
ПРИМІТКА: Переконайтеся, що вал повністю уставлений у кожух (приблизно на 237 мм/9-3/8 дюйма).  
Якщо Вам не вдається уставити вал, злегка поверніть приводну вісь (6) рукою та повторіть спробу.

4. Переконайтеся, що вал уставлений належним чином, та затягніть болт M5 x 16 та болт M5 x 25.



### ПРИЄДНАННЯ РУЧКИ (для EN4950H)

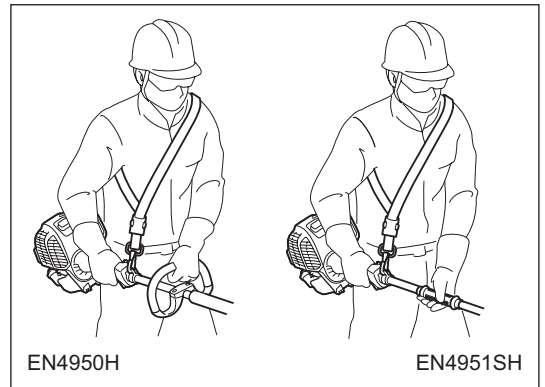
- Зафіксуйте ручку-дужку на валу, як показано на малюнку.
- Для того щоб забезпечити належну відстань між ручками, установіть ручку-дужку попереду стрілочок.



## ПЛЕЧОВИЙ РЕМІНЬ (ДОДАТКОВЕ ПРИЛАДДЯ)

### Як використовувати плечовий ремінь

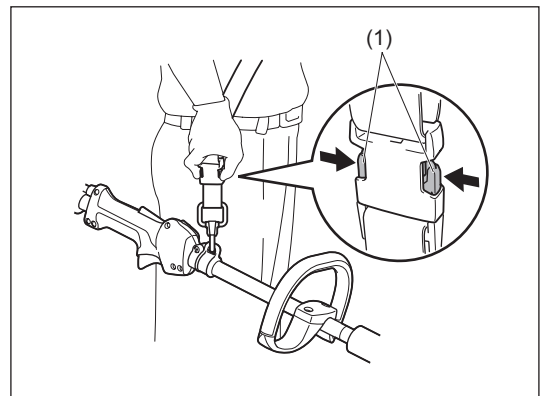
- Надягайте плечовий ремінь на ліве плече.
- Тримайте штангову пилу для підрізування живоплоту праворуч від себе.
- Приєднайте ремінь до кріплення для підвішування на штанговій пилі для підрізування живоплоту та налаштуйте довжину ременя таким чином, щоб Ви могли підтримувати зручне положення під час роботи.



### Від'єднання

- У надзвичайній ситуації натисніть на виїмки (1) з обох боків, щоб від'єднати інструмент.  
При цьому будьте надзвичайно обережними, щоб не втратити контроль над інструментом. Не дозволяйте інструменту відхилитися у Ваш бік або в бік інших осіб поблизу місця роботи.

УВАГА: Якщо Ви не зможете зберегти контроль над інструментом, це може призвести до серйозних травм або СМЕРТІ.



## ПЕРЕД ПОЧАТКОМ РОБОТИ

### Перевірка та додавання моторного мастила

- Коли двигун охолоджено, здійсніть наступну процедуру.
- Утримуючи двигун у горизонтальному положенні, зніміть кришку баку для мастила (мал. 1) та перевірте, чи є мастило між верхньою та нижньою позначками мастильної трубки (мал. 2).
- Якщо мастила недостатньо (рівень мастила наближається до нижньої позначки), долийте його до верхньої позначки (мал. 3).
- Зона навколо зовнішніх позначок прозора, тому рівень мастила усередині можна перевіряти, не знімаючи кришку баку для мастила. Однак, якщо мастильна трубка стане дуже забрудненою, Ви не зможете побачити рівень мастила; у такому разі його слід перевіряти за допомогою ступінчастої частини усередині мастильної трубки.
- Для довідки: мастило слід доливати приблизно через 10 годин (кожні 10 заправлень).  
Якщо мастило змінило колір або змішалось із брудом, його слід замінити новим (для отримання інформації щодо інтервалу та способу заміни див. стор. 44).

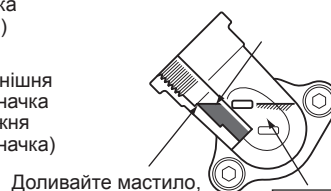
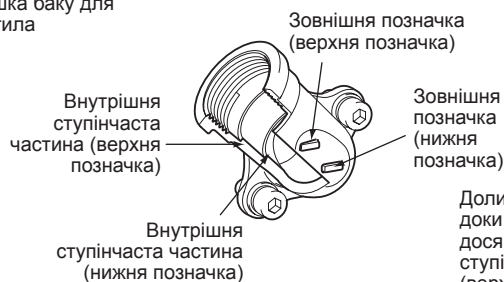
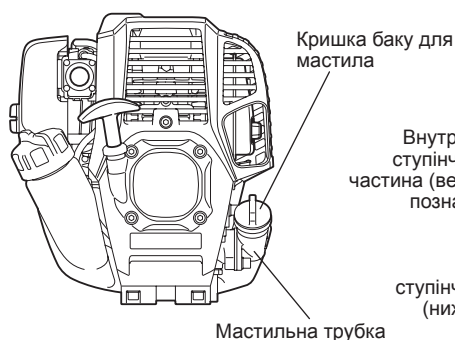
**Рекомендоване мастило:** SAE 10W-30 за класифікацією API, клас SF або вище (для 4-тактного двигуна автомобіля)

**Об'єм мастила:** Прибл. 0,08 л

**ПРИМІТКА:** Якщо двигун не тримати прямо, мастило може повністю заповнити його, і це призведе до надмірного наповнення двигуна. Якщо мастила залити більше за норму, воно може забруднитися або зайнятися з виділенням білого диму.

### Указівка 1 щодо заміни мастила: "Кришка баку для мастила"

- Видаліть пил та бруд біля отвору для заливання мастила та від'єднайте кришку баку для мастила.
- Не допускайте контакту від'єднаної кришки баку для мастила із піском або пилом. Інакше пісок або пил, що налипнуть на кришку баку для мастила, можуть викликати неналежну циркуляцію мастила або зношення частин двигуна, що призведе до несправностей.



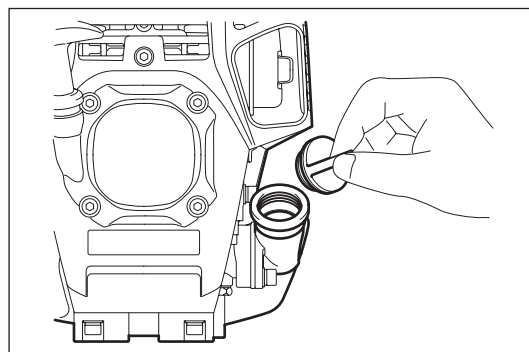
Зона між зовнішніми верхньою та нижньою позначками прозора, тому рівень мастила можна перевіряти ззовні по цих позначках.

Мал. 1

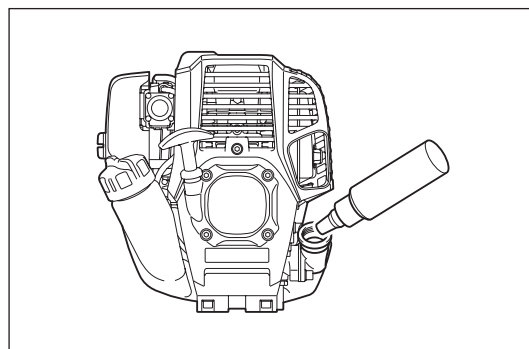
Мал. 2 Мастильна трубка

Мал. 3

- (1) Утримуючи двигун у горизонтальному положенні, від'єднайте кришку баку для мастила.



- (2) Долийте мастило до верхньої позначки (див. мал. 3). При цьому використовуйте маслянку.



- (3) Надійно затягніть кришку баку для мастила. Якщо її затягнути неналежним чином, це може спричинити витікання мастила.

#### Примітка

- Забороняється проводити заміну мастила, якщо двигун знаходиться під нахилом.
- Інакше Ви заллєте надмірну кількість мастила, що призведе до його забруднення та/або виділення білого диму.

#### Указівка 2 щодо заміни мастила: “Якщо мастило пролилося”

- Якщо мастило пролилося між паливним баком та головною частиною двигуна, воно потрапить усередину крізь повітрязабірник охолоджувального повітря та засмітить двигун. До початку роботи слід обов'язково витерти все мастило, що розлилося.

## ЗАПРАВЛЯННЯ

### Поводження із паливним

Із паливним слід поводитися надзвичайно обережно. Пальне може вмшати речовини, подібні розчинникам. Заправляння слід проводити у добре провітрюваному приміщенні або просто неба. Ніколи не вдихайте випаровування пального і тримайтеся від нього на відстані. Якщо пальне постійно контактує зі шкірою, вона стає сухою, і це може призвести до хвороби шкіри або алергії. У разі потрапляння пального в очі їх слід промити чистою прісною водою. Якщо подразнення очей все ще залишається, слід звернутися до лікаря.

### Тривалість зберігання пального

Пальне має бути використане упродовж 4 тижнів, навіть якщо воно зберігається у спеціальному контейнері у добре вентильованому темному місці.

Інакше пальне може зіпсуватися за один день.

### ЗБЕРІГАННЯ ІНСТРУМЕНТА ТА ПАЛИВНОГО БАКУ

- Зберігайте інструмент та бак у прохолодному затемненому місці.
- Ніколи не тримайте пальне в автомобілі.

### Пальне

Двигун є чотиритактним. Обов'язково використовуйте неетилований автомобільний бензин із октановим числом 87 або вище ((R+M)/2). Він може містити не більше 10% спирту (E-10).

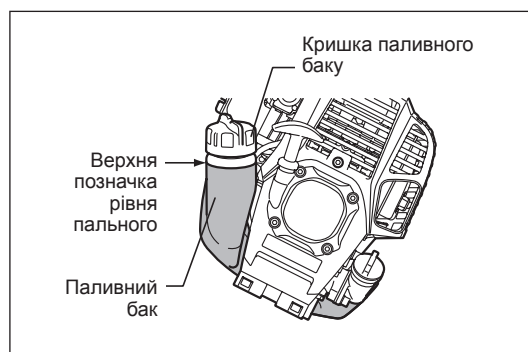
### Указівки щодо пального

- Ніколи не використовуйте бензинову суміш, яка містить моторне мастило. Це призведе до надмірного накопичування вуглецю або до механічних несправностей.
- Використання зіпсованого мастила призведе до виникнення проблем із запуском інструмента.

### Заправляння

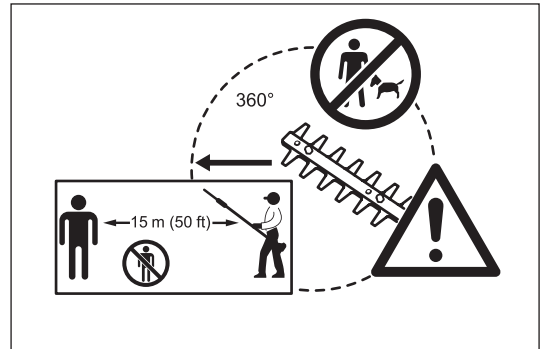
#### УВАГА: ЗАЙМИСТІ РЕЧОВИНИ СУВОРО ЗАБОРОНЕНІ

- Злегка послабте кришку баку, щоб знизити внутрішній тиск.
  - Від'єднайте кришку паливного баку та залийте пальне; повітря випускайте, нахилиючи бак таким чином, щоб отвір був спрямований угору (НЕ заливайте пальне у бак доверху).
  - Належним чином витріть край кришки баку, щоб запобігти потраплянню сторонніх предметів у паливний бак.
  - Після заправляння надійно затягніть кришку баку.
- Якщо кришка пошкоджена або пропускає пальне, замініть її.
  - Кришка баку з часом зношується. Її слід замінювати кожні два-три роки.



## ЗАХОДИ БЕЗПЕКИ ПЕРЕД ЗАПУСКОМ ДВИГУНА

- Під час роботи завжди залишайте навколо себе ділянку радіусом 15 метрів як зону безпеки. Сторонні особи (передусім діти) та/або тварини повинні знаходитися поза межами цієї зони.
- Перед використанням штангової пили для підрізання живоплоту завжди перевіряйте, що інструмент знаходиться у безпечному робочому стані. Слід переконатися, що ріжуче полотно не пошкоджене, а важіль постачання пального спрацьовує легко та плавно. Переконайтеся в тому, що ріжуче полотно не рухається на холостому ході двигуна. У разі неналежної роботи інструмента звертайтеся до свого дилера для проведення налаштування інструмента. Перевіряйте, щоб ручки інструмента були чистими та сухими, а також перевіряйте функціональність пускового перемикача. Запускайте двигун тільки відповідно до наведених інструкцій. Не використовуйте інші способи запуску штангової пили для підрізання живоплоту.
- Перш ніж запускати двигун штангової пили для підрізання живоплоту необхідно прочитати та повністю зрозуміти усі указівки, наведені у цих інструкціях з експлуатації. Ніколи не намагайтеся запустити штангову пилу для підрізання живоплоту, якщо вона не знаходиться у повністю зібраному стані. Це може призвести до серйозних травм.
- Перед запуском двигуна слід завжди перевіряти, щоб ріжучі полотна не торкалися сторонніх предметів, наприклад гілля, каміння або інших твердих предметів.
- Оглядайте робочу зону на наявність дротів, шнурів, скла або інших сторонніх предметів, які можуть застрягти у ріжучих полотнах.
- Ураження електричним струмом: Звертайте увагу на лінії електропередач, що знаходяться поблизу робочої ділянки. Перш ніж починати роботу, перевіряйте робочу ділянку на наявність поблизу неї ліній високої напруги та електричних огорож.



## УКАЗІВКИ ЩОДО РОБОТИ ТА ПОРЯДКУ ЗУПИНЕННЯ

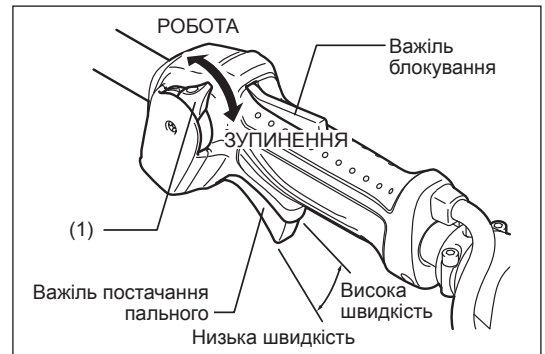
Дотримуйтеся усіх відповідних правил безпеки!

### ЗАПУСК

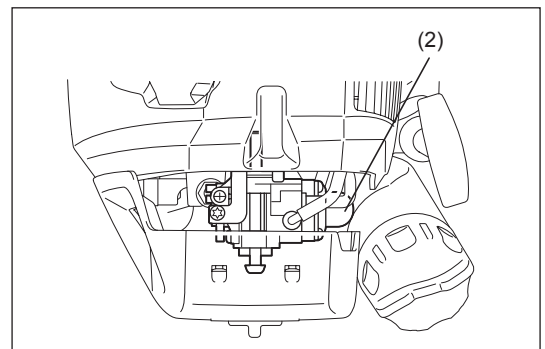
Відійдіть щонайменше на 3 метри від місця заправлення. Розташуйте штангову пилу для підрізання живоплоту на відкритій ділянці землі, слідкуючи за тим, щоб ріжучі полотна не торкалися землі або інших предметів.

#### А: Холодний запуск

- 1) Установіть інструмент на плоскій поверхні.
- 2) Установіть пусковий перемикач (1) у положення РОБОТА.



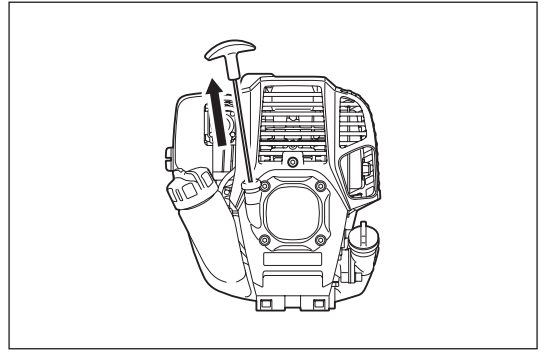
- 3) Насос підкачування  
Натискайте на насос підкачування (2), доки пальне не потрапить до нього. (зазвичай пальне потрапляє до насосу підкачування після 7–10 натискань). Якщо на насос підкачування натиснути більшу кількість разів, зайве пальне повернеться до паливного баку.



- 4) Ручний стартер  
Обережно потягніть за ручку стартера, доки тягнути не стане важко (момент компресії). Потім поверніть ручку стартера у вихідне положення та потягніть її сильно. Ніколи не витягуйте трос повністю. Коли Ви потягнули за ручку стартера, ніколи не відпускайте її відразу. Утримуйте ручку стартера, доки вона не повернеться у вихідне положення.

- 5) Процес прогрівання  
Продовжуйте прогрівання протягом 2–3 хвилин.

**ПРИМІТКА:** У разі надмірної подачі пального зніміть свічку запалювання та повільно потягніть ручку стартера, щоб видалити зайве пальне. Також висушіть електроди свічки запалювання.



#### **В: Запуск після прогріву**

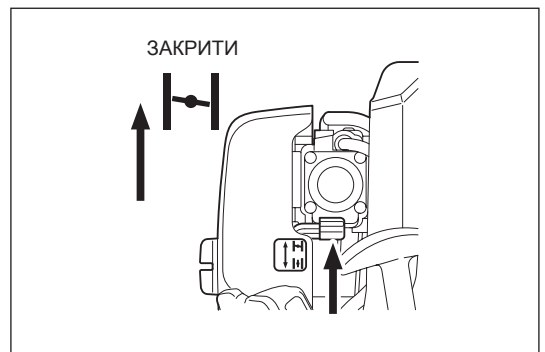
- 1) Декілька разів злегка натисніть на насос підкачування.
- 2) Утримуйте важіль постачання пального у положенні холостого ходу.
- 3) Із силою потягніть за ручний стартер.
- 4) Якщо запустити двигун виявляється важко, відкрийте дросель на 1/3. Зверніть увагу на ріжучі полотна, які можуть рухатися.

**У часи, наприклад узимку, коли двигун запустити важко, запускаючи його, використовуйте важіль дроселювання відповідно до наступної процедури.**

- Виконавши кроки запуску від 1) до 3), установіть важіль дроселювання у положення **ЗАКРИТИ**.
- Виконайте крок запуску 4) та запустіть двигун.
- Коли двигун запустився, установіть важіль дроселювання у положення **ВІДКРИТИ**.
- Виконайте крок 5) та здійсніть процес прогрівання.

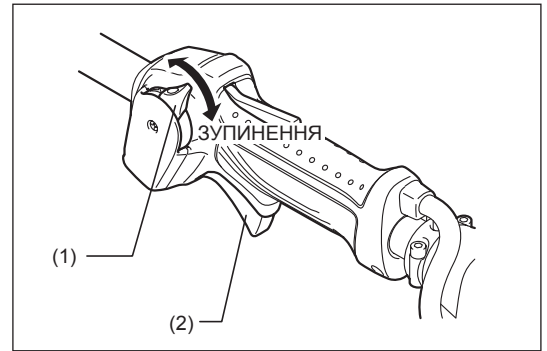
**ЗАСТЕРЕЖЕННЯ:** Якщо Ви почуєте удар (звук вибуху), після якого двигун зупиниться, або якщо тільки-но запущений двигун зупиняється, перш ніж Ви скористаєтесь важелем дроселювання, поверніть важіль дроселювання у положення **ВІДКРИТИ** та знов потягніть за ручку стартера декілька разів, щоб запустити двигун.

**ЗАСТЕРЕЖЕННЯ:** Якщо залишити важіль дроселювання у положенні **ЗАКРИТИ** та декілька разів потягнути за ручку стартера, у двигун потрапить забагато пального, внаслідок чого його буде важко запустити.



## ЗУПИНЕННЯ

- 1) Повністю відпустіть важіль постачання пального (2) та, коли швидкість двигуна знизиться, установіть пусковий перемикач (1) у положення ЗУПИНЕННЯ, після чого двигун зупиниться.
- 2) Зверніть увагу на те, що ріжучі полотна можуть не зупинитися відразу, отже дозвольте їм повністю зупинитися.

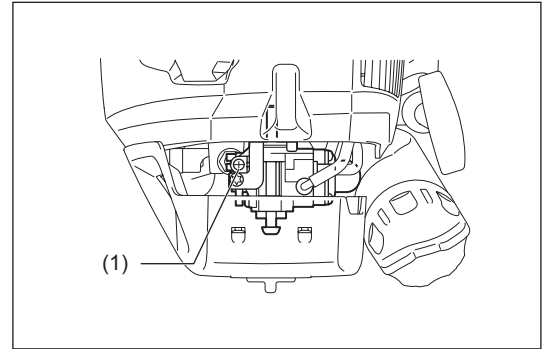


## НАЛАШТУВАННЯ ДВИГУНА НА НИЗЬКУ ШВИДКІСТЬ ОБЕРТАННЯ (ХОЛОСТИЙ ХІД)

Якщо необхідно налаштувати обертання двигуна на низьку швидкість (холостий хід), це можна зробити за допомогою регульовального гвинта карбюратора (1).

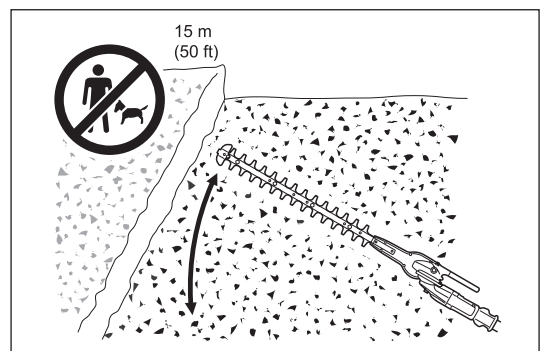
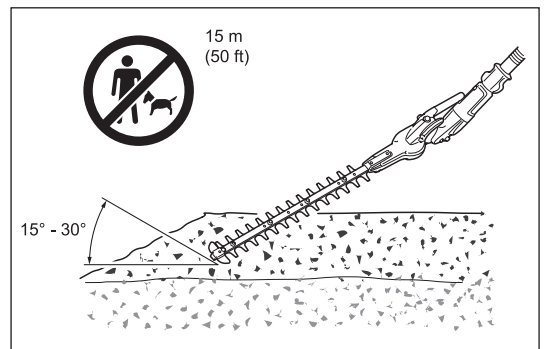
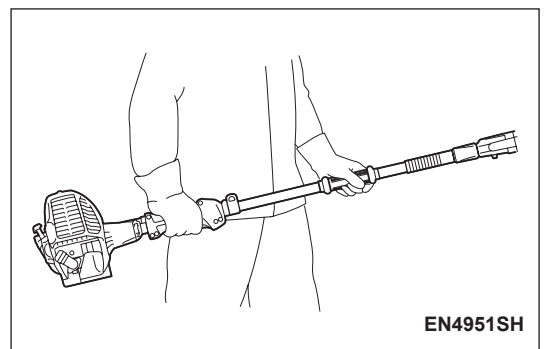
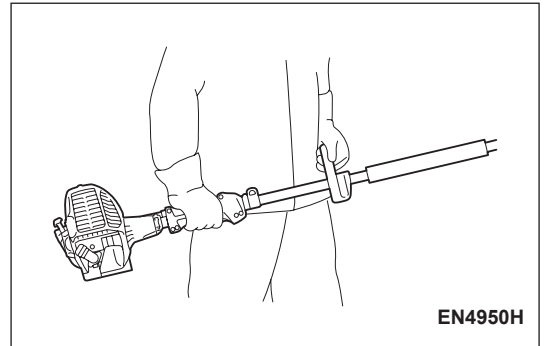
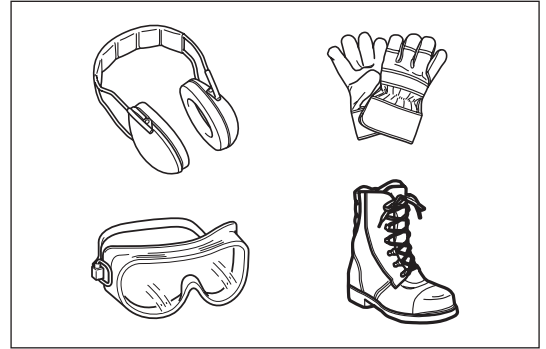
## ПЕРЕВІРКА ОБЕРТАННЯ ДВИГУНА НА НИЗЬКІЙ ШВИДКОСТІ

- Установіть кількість обертів на низькій швидкості на 3000 об/хв. У разі потреби відрегулюйте швидкість обертання за допомогою регульовального гвинта (1), скориставшись для цього хрестоподібною викруткою.
- Якщо повертати регульовальний гвинт праворуч, швидкість обертання двигуна зростатиме. При повертанні регульовального гвинта ліворуч швидкість двигуна зменшується.
- Як правило, карбюратор налаштовують перед його відправленням із заводу. Якщо потрібне його переналаштування, слід звернутися до авторизованого центру технічного обслуговування.



## ВИКОРИСТАННЯ ШТАНГОВОЇ ПИЛИ ДЛЯ ПІДРІЗУВАННЯ ЖИВОПЛОТУ

- Коли Ви працюєте зі штанговою пилою для підрізування живоплоту або коли двигун запущений, не торкайтеся ріжучих полотен.
- Будьте особливо уважними та не вдихайте вихлопні гази, що утворюються під час роботи штангової пили для підрізування живоплоту. Ніколи не використовуйте штангову пилу для підрізування живоплоту у закритому приміщенні або у місці з недостатньою вентиляцією (існує небезпека задухи або отруєння газами). Пам'ятайте, що чадний газ не має запаху, тому він є невідчутним для органів нюху.
- Перед початком роботи зі штанговою пилою для підрізування живоплоту завжди надягайте відповідні засоби індивідуального захисту.
- У разі несправності глушителя одразу зупиняйте двигун.
- Використовуйте штангову пилу для підрізування живоплоту тільки за умов достатнього освітлення та видимості.
- Забороняється використовувати штангову пилу для підрізування живоплоту в темний час доби або під час туману. У холодну пору року (небезпека ковзання) бережіться слизьких або вологих ділянок (снігу або льоду), а також подбайте про стійку опору на ноги.
- Ніколи не використовуйте штангову пилу для підрізування живоплоту, знаходячись на нестійкій поверхні або на крутому схилі.
- Ніколи не використовуйте штангову пилу для підрізування живоплоту, стоячи на драбині.
- Ніколи не піднімайтесь на дерево задля використання штангової пили для підрізування живоплоту.
- Постійно оглядайте робочу зону на наявність дротів, шнурів, скла або інших сторонніх предметів, які можуть застрягти у ріжучих полотнах.
- Перед початком підрізування живоплоту переконайтеся, що ріжучі полотна рухаються із достатньою швидкістю.
- Завжди надійно утримуйте штангову пилу для підрізування живоплоту обома руками, щоб не втратити контроль над інструментом.
- Задля оптимальної ефективності керування штанговою пилою для підрізування живоплоту завжди надійно охоплюйте та міцно тримайте ручки інструмента руками (фіксуючи долонь великим пальцем).
- Пам'ятайте, що ріжучі полотна продовжуватимуть рухатись протягом приблизно двох секунд після відпускання важеля постачання пального.
- Не підрізайте гілля штанговою пилою для підрізування живоплоту при низьких обертах двигуна.
- Швидкість ріжучих полотен не можна налаштувати належним чином за допомогою важеля постачання пального, якщо двигун працює на низькій швидкості.
- Щоб підрізати верхній край живоплоту, слід спочатку нахилити ріжучі полотна на  $15^{\circ}$ – $30^{\circ}$  у напрямку підрізування, при цьому тримаючи штангову пилу для підрізування живоплоту у горизонтальному положенні. Потім слід починати підрізувати живопліт, злегка хитаючи інструмент, начебто малюючи кругові сегменти валом пили.
- Щоб підрізати бокову сторону живоплоту, розташуйте ріжучі полотна паралельно поверхні, яку слід обробити, та почніть різати, рухаючи інструмент по півколу вгору та вниз.
- Будьте уважними під час різання живоплоту, що росте на огорожі з дроту або біля неї.
- Не торкайтеся ріжучими полотнами твердих предметів, наприклад камення, землі або огорожі з дроту. Через це ріжуче полотно може тріснути, зламатися або розколотися.
- Не використовуйте штангову пилу для підрізування живоплоту протягом тривалого часу. Як правило, кожним 50 хвилинам роботи повинні відповідати 10-20 хвилин відпочинку.
- У разі контактування ріжучих полотен із камінням або іншими твердими предметами, негайно зупиняйте двигун і перевіряйте ріжучі полотна на наявність пошкоджень. У разі наявності пошкоджень замініть ріжучі полотна.
- Якщо під час роботи зі штанговою пилою для підрізування живоплоту виникає проблема (незвичайний шум, вібрація тощо), негайно зупиняйте двигун. Не використовуйте інструмент, доки причина несправності не буде знайдена та усунена.
- Під час використання штангової пили для підрізування живоплоту завжди докладайте усіх зусиль, щоб звести до мінімуму забруднення навколишнього середовища та шумовий вплив. Приділяйте особливу увагу належному налаштуванню карбюратора.
- У разі потрапляння у ріжучих полотнах товстих гілок негайно вимикайте двигун, кладіть інструмент на землю та видаляйте перешкоди. Перед продовженням використання інструмента перевіряйте ріжучі полотна на наявність пошкоджень.





## Регулювання кута різання

### Увага:

- Не використовуйте інструмент, якщо ріжуча частина закріплена неналежним чином.

Кут різання можна збільшувати до 45° і зменшувати до 90°.

1. Зупиніть двигун штангової пили для підрізування живоплоту та покладіть інструмент на землю.
2. Для того щоб налаштувати кут розташування ріжучої частини, однією рукою утримуйте ручку (A) на ріжучій частині, а іншою рукою візьміться за фіксатор кута (B), як показано на малюнку.
3. Обережно потягніть за фіксатор кута та змініть кут розташування ріжучої частини. Установивши потрібний кут, обережно поверніть фіксатор кута у вихідне положення.

### Примітка:

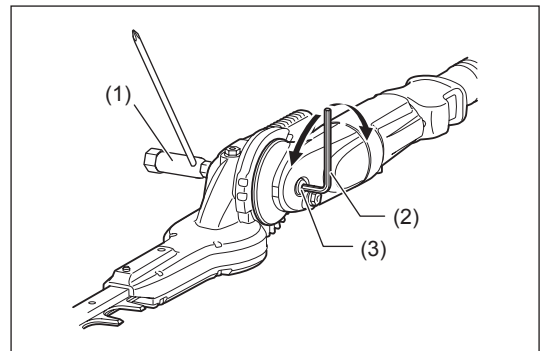
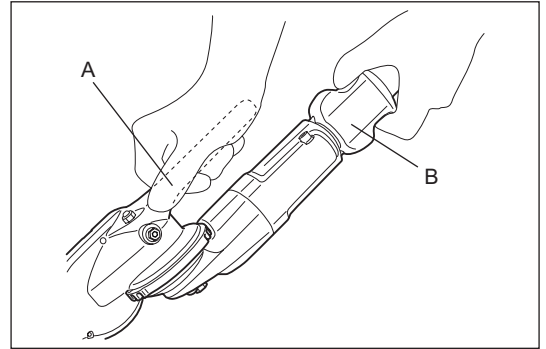
- Кут розташування ріжучої частини можна налаштувати тільки на певні значення, які дозволяє встановити проріз на інструменті. Перевіряйте надійність закріплення ріжучої частини. Якщо кут налаштований неналежним чином, зчеплення буде роз'єднане, а інструмент не запустиметься.
- Забороняється налаштовувати положення ріжучої частини, якщо штангова пила для підрізування живоплоту знаходиться у вертикальному положенні.
- Для того щоб налаштувати кут різання, установіть пусковий перемикач у положення "0" та покладіть штангову пилу для підрізування живоплоту на землю.
- Перед налаштуванням кута різання слід завжди приєднувати до ріжучих полотен кришку ріжучого полотна, яка входить до комплекту постачання.

Якщо ріжуча частина зафіксована неналежним чином, слід затягнути болт (вісь налаштування кута).

1. Установіть на болт (3) торцевий ключ (1) та шестигранний ключ (2).
2. Налаштуйте ступінь затягування ріжучої частини, повертаючи шестигранний ключ, а потім затягніть болт, повертаючи торцевий ключ.

### Примітка:

- Не затягуйте ріжучу частину занадто сильно. У разі занадто сильного затягування Ви не зможете змінювати кут розташування ріжучої частини.



## ОБСЛУГОВУВАННЯ

- Перш ніж виконувати будь-які роботи з технічного обслуговування штангової пили для підрізування живоплоту (чищення полотен тощо), завжди зупиняйте двигун та чекайте, доки він охолоне. Як додатковий захід безпеки знімайте ковпачок свічки запалювання.
- У жодному разі не вирівнюйте та не зварюйте зігнуті або поламані ріжучі полотна. Завжди замінюйте пошкоджені ріжучі полотна.
- Регулярно зупиняйте двигун та перевіряйте ріжучі полотна на наявність можливих пошкоджень (щоб виявити тонкі та непомітні тріщини, злегка постукайте по ріжучим полотнам та прислухайтеся до звуку резонансу). Перевіряйте, чи ріжучі полотна мають гострі зубці.
- Регулярно чистьте штангову пилу для підрізування живоплоту. Під час чищення також перевіряйте, чи надійно затягнуті усі гвинти, гайки та болти.
- Щоб знизити ризик займання, ніколи не здійснюйте технічне обслуговування штангової пили для підрізування живоплоту та не зберігайте її поблизу відкритого вогню.
- Кожного разу під час роботи з ріжучими полотнами використовуйте захисні рукавиці.
- З питань заміни ріжучих полотен звертайтеся до свого дилера.
- Для чищення ніколи не використовуйте газолін, бензин, розріджувач, спирт та подібні речовини. Їх використання може призвести до зміни кольору, деформації та до появи тріщин.

### Заточування ріжучого полотна

Якщо ріжучі полотна затупилися і значно знизилася ефективність підрізування, полотна слід передати співробітнику авторизованої станції технічного обслуговування для заточування.

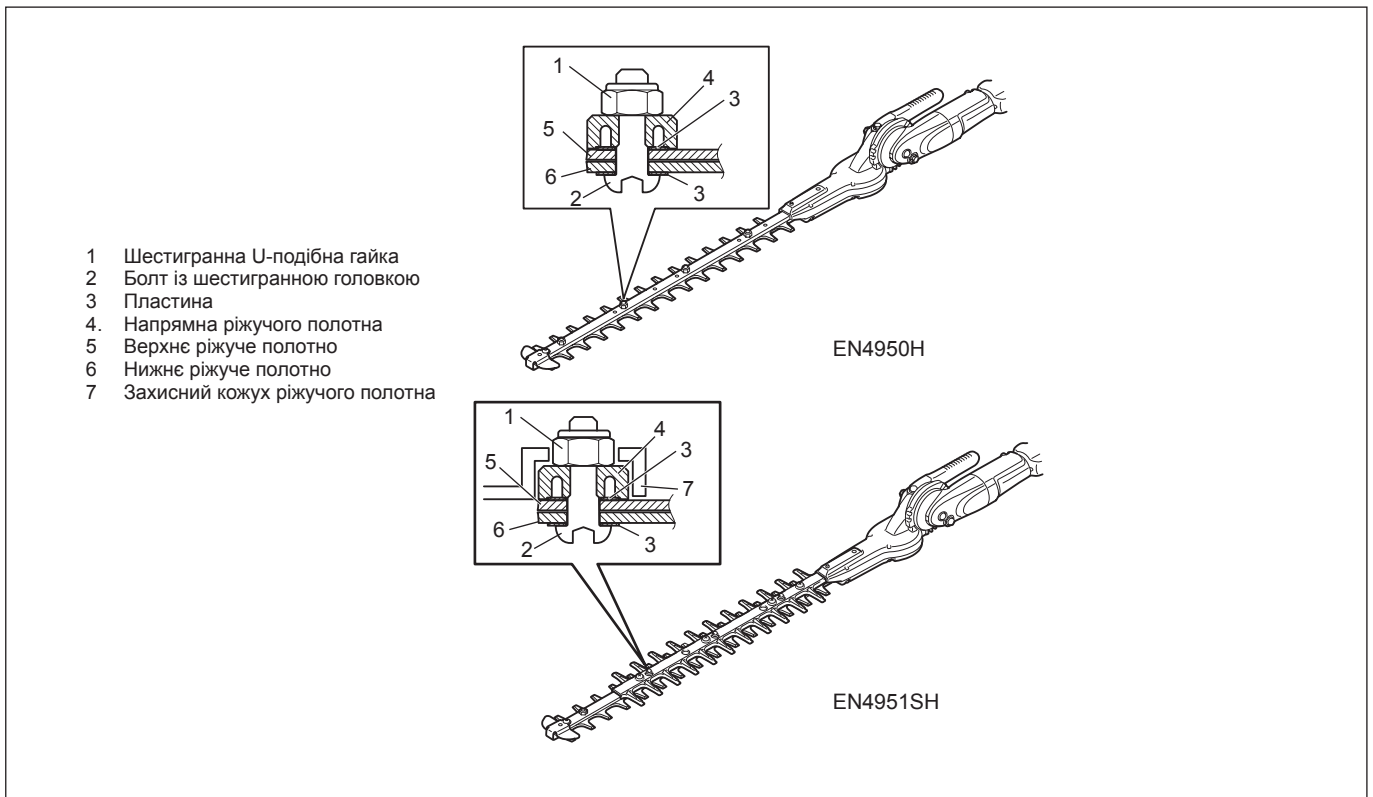
### Налаштування зазору ріжучого полотна

Поступове зношування верхньої/нижньої частини полотна внаслідок роботи. Якщо ріжуче полотно гостре, але інструмент працює недостатньо ефективно, налаштуйте зазор наступним чином.

Ширина зазору між полотнами визначається тим, наскільки міцно затягнутий болт із шестигранною головкою. Гайка утримує болт із шестигранною головкою з певною силою. У разі занадто великого зазору різання буде неефективним, але налаштування занадто малого зазору призводить до надмірного нагрівання та скорішого зношування полотен.

1. Послабте гайку (1) за допомогою торцевого або рижкового гайкового ключа.
2. Злегка затягніть болт із шестигранною головкою (2) за допомогою шестигранного ключа, доки він не зупиниться. Потім відкрутіть його назад на чверть або на половину оберту, щоб налаштувати потрібний зазор.
3. Затягніть гайку (1), утримуючи болт із шестигранною головкою (2).
4. Нанесіть невелику кількість мастила на поверхню тертя ріжучих полотен.
5. Запустіть двигун та протягом хвилини декілька разів пересуньте важіль керування між положеннями УВІМК. та ВІМК.
6. Зупиніть двигун та доторкніться рукою до поверхні. Якщо вона не дуже гаряча на дотик, налаштування було правильним. Якщо вона занадто гаряча для того, щоб до неї можна було доторкнутися, трохи відкрутіть болт із шестигранною головкою (2) та повторіть кроки 5-6.

ПРИМІТКА: Перед тим як виконати регулювання, слід зупинити двигун та дочекатися, поки ріжуче полотно зупиниться.  
На ріжучому полотні навколо болта із шестигранною головкою (2) є паз. Якщо в такому пазу накопичився пил, прочистіть його.

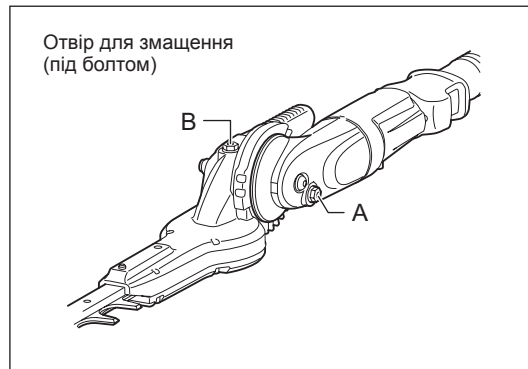


## Додавання консистентного або змащувального мастила

**Важливо:** Перш ніж починати змащення, слід переконатися, що поверхня редуктора повністю охолонула.

- Редуктор штангової пили для підрізування живоплоту слід змащувати кожні 25 годин роботи. Отвір для змащення знаходиться під болтом. Для здійснення змащення викрутіть болт. Через отвір для змащення додайте приблизно 3 г (4 см<sup>3</sup>) змащувального мастила у місце на редукторі, позначене літерою А, та приблизно 5 г (7 см<sup>3</sup>) змащувального мастила у місце, позначене літерою В. Після завершення процедури змащення встановіть болт на місце. У разі додавання правильної кількості консистентного мастила воно трохи вийде з-під основи ріжучого полотна на початку роботи.

**ЗАСТЕРЕЖЕННЯ:** Дотримуйтесь указівок щодо інтервалів змащення та кількості консистентного мастила, яке слід додавати. Механічні частини штангової пили для підрізування живоплоту можуть зазнати пошкоджень, якщо додавати консистентне мастило не через зазначені інтервали або у невірному обсязі.



## Щоденний технічний огляд та технічне обслуговування

Для забезпечення тривалого терміну експлуатації штангової пили для підрізування живоплоту щоденно виконуйте огляд інструмента та здійснійте зазначене нижче технічне обслуговування.

- Перед використанням:
  - Перед початком роботи перевіряйте, чи всі гвинти інструмента затягнуті належним чином, а також чи присутні всі деталі. Звертайте особливу увагу на ріжучу частину та переконуйтеся у тому, що гвинти, які фіксують ріжучі полотна, надійно затягнуті.
  - Перед початком роботи перевіряйте, чи не засмічені отвори для охолоджувального повітря або охолоджувальні ребра циліндра. У разі необхідності почистіть.
- Після використання:
  - Чистьте штангову пилу для підрізування живоплоту ззовні та перевіряйте її на предмет пошкоджень.
  - Чистьте повітряний фільтр. Якщо Ви працюєте у надзвичайно пильному середовищі, чистьте фільтр декілька разів на день.
  - Перевіряйте ріжучі полотна на наявність пошкоджень. Перевіряйте надійність закріплення ріжучих полотен.
  - Якщо після проведення регулювання ріжучі полотна все ще продовжують рухатись на холостому ході, зверніться до співробітника найближчої авторизованої станції технічного обслуговування.

## ЗАМІНА МОТОРНОГО МАСТИЛА

Використання відпрацьованого моторного мастила призведе до значного скорочення терміну служби частин, що ковзають та обертаються. Перевіряйте строк заміни мастила та його кількість.



**НЕБЕЗПЕКА:** Після зупинення двигуна його головна частина та моторне мастило зазвичай залишаються гарячими. При заміні мастила слід переконатися, що температура головної частини двигуна та моторного мастила значно знизилася. Інакше існує небезпека отримання опіків. Щоб забезпечити правильну індикацію рівня моторного мастила, після зупинення двигуна слід зачекати протягом достатнього часу, доки моторне мастило не повернеться до баку для мастила.

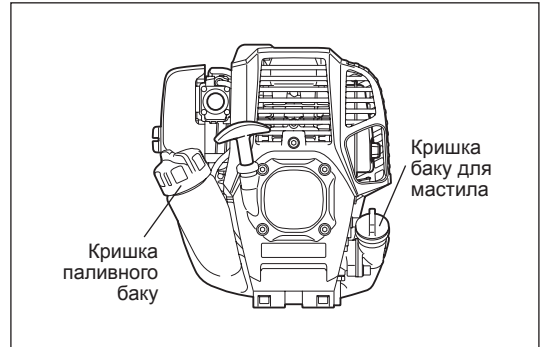
**ПРИМІТКА:** Якщо мастила залити більше за норму, воно може забруднитися або зайнятися із виділенням білого диму.

**Інтервал заміни:** Після перших 20 годин роботи, надалі – кожні 50 годин роботи

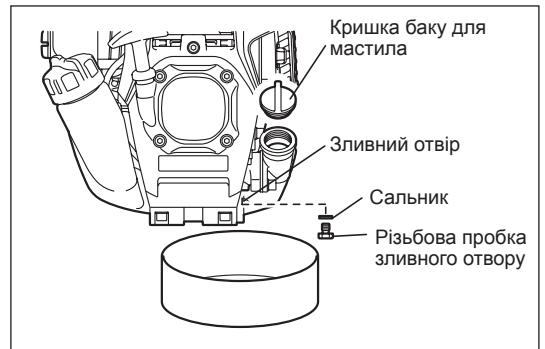
**Рекомендоване мастило:** SAE10W-30 за класифікацією API, клас SF або вище (для 4-тактного двигуна автомобіля)

Під час заміни виконуйте таку процедуру.

- 1) Переконайтеся, що кришка паливного баку надійно затягнута.
- 2) Розташуйте великий контейнер (лоток тощо) під зливним отвором.

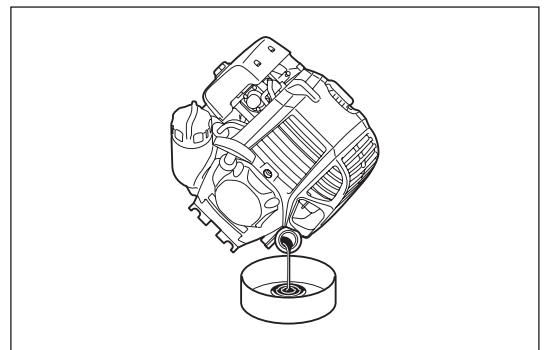


- 3) Видаліть різьбову пробку зливного отвору, зніміть кришку баку для мастила, щоб злити мастило через зливний отвір. Під час зливання мастила не загубіть сальник різьбової пробки зливного отвору та переконатися, що на жодну зняту частину не потрапив бруд.
- 4) Після зливання мастила встановіть сальник на різьбову пробку зливного отвору та щільно закріпіть різьбову пробку зливного отвору, щоб вона не послабилася та не спричинила витікання мастила.  
\* Ретельно витріть ганчіркою мастило, яке потрапило на пробку та інше обладнання.

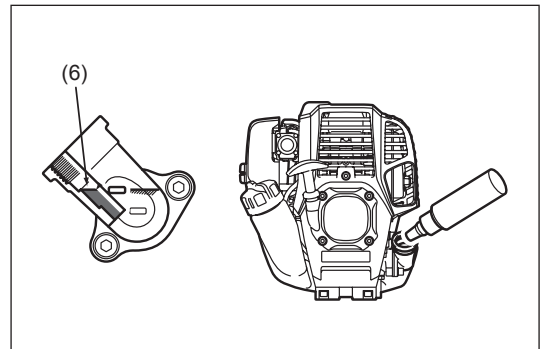
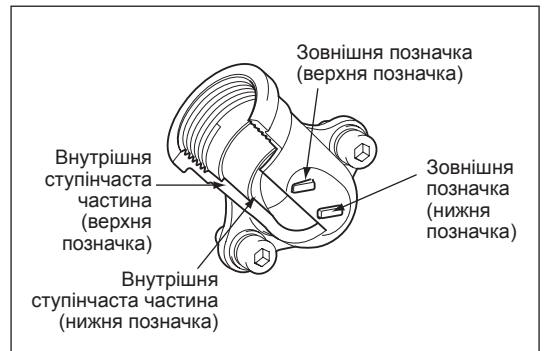


### Альтернативний метод зливання

Зніміть кришку баку для мастила, нахиліть штангову пилу для підрізування живоплоту на бік отвору для заливання мастила та злийте мастило через нього. Зберіть мастило у контейнер.



- 5) Утримуючи двигун у горизонтальному положенні, поступово залийте нове мастило до верхньої позначки (6).
- 6) Заливши мастило, щільно закріпіть кришку баку для мастила, щоб вона не послабилася та не спричинила витікання мастила. Якщо кришку баку для мастила закріплено недостатньо щільно, це може спричинити витікання мастила.



#### УКАЗІВКИ ЩОДО МАСТИЛА

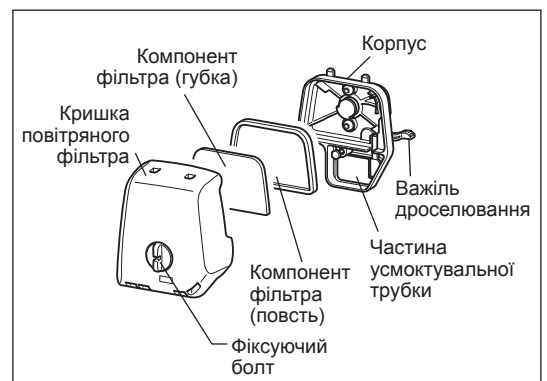
- Ніколи не викидайте відпрацьоване моторне мастило разом із сміттям, не зливайте його в ґрунт або в канал стічних вод. Утилізація мастила регулюється законодавством. Під час утилізації дотримуйтесь чинних правових норм та розпоряджень. У разі виникнення питань звертайтеся до співробітника авторизованої станції технічного обслуговування.
- Мастило стає непридатним, навіть якщо його не використовувати. Регулярно перевіряйте та замінійте мастило (заливайте нове мастило кожні 6 місяців).

#### Чищення повітряного фільтра

##### НЕБЕЗПЕКА: Займісті речовини суворо заборонені

Повітряний фільтр слід перевіряти та чистити щодня або через кожні 10 годин роботи.

- Повністю поверніть важіль дроселювання в сторону закриття, тримайте карбюратор подалі від пилу та бруду.
- Послабте фіксуючий болт.
- Зніміть кришку повітряного фільтра, потягнувши її за нижню частину.
- Зніміть компоненти фільтра і постукайте ними, щоб видалити бруд.
- Якщо компоненти фільтра сильно забруднені:  
Зніміть компоненти фільтра, занурте їх у теплу воду або у водорозчинний нейтральний миючий засіб, після чого повністю висушіть їх. Не стискайте і не тріть їх під час миття.
- Перед тим як встановити компоненти фільтра, переконайтеся, що вони повністю сухі. Недостатня просушка компонентів фільтра може ускладнити запуск.
- Витріть тканиною мастило, що налипнуло навколо кришки повітряного фільтра та частини усмоктувальної трубки.
- Установіть компонент фільтра (губку) у компонент фільтра (повсть).
- Компоненти фільтра слід установлювати у корпус таким чином, щоб губка була спрямована до кришки повітряного фільтра.
- Одразу встановіть кришку повітряного фільтра та затягніть її фіксуючими болтами (при цьому спочатку встановіть верхній виступ, а потім нижній).



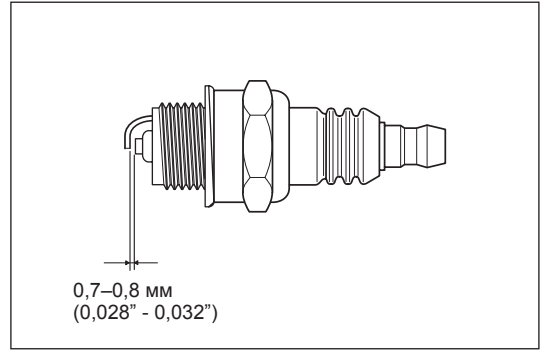
#### ПРИМІТКА:

- Чистьте компоненти фільтра декілька разів на день, якщо на них налипає забагато пилу. Якщо компоненти фільтра забруднені, це знижує потужність двигуна та ускладнює його запуск.
- Видаляйте мастило, яке потрапляє на компоненти фільтра. Якщо продовжити роботу з компонентами фільтра, не очищеними від мастила, то мастило з повітряного фільтра може потрапити назовні та спричинити забруднення навколишнього середовища.
- Не кладіть компоненти фільтра на землю або на забруднене місце. Інакше на них потрапить бруд або сміття, що може призвести до пошкодження двигуна.
- Ніколи не використовуйте пальне для чищення компонентів фільтра. Пальне може пошкодити їх.

### ПЕРЕВІРКА СВІЧКИ ЗАПАЛЮВАННЯ

- Для знімання або встановлення свічки запалювання використовуйте тільки універсальний гайковий ключ, який входить до комплекту.
- Зазор між двома електродами свічки запалювання повинен складати 0,7–0,8 мм (0,028" - 0,032"). Якщо зазор занадто великий чи занадто малий, його слід відрегулювати. Якщо свічка запалювання засмічена чи забруднена, її слід ретельно прочистити або замінити.

**ЗАСТЕРЕЖЕННЯ:** Ніколи не торкайтеся конектора свічки запалювання під час роботи двигуна (небезпека ураження струмом високої напруги).



### Чищення паливного фільтра (усмоктувальної головки в паливному баку)

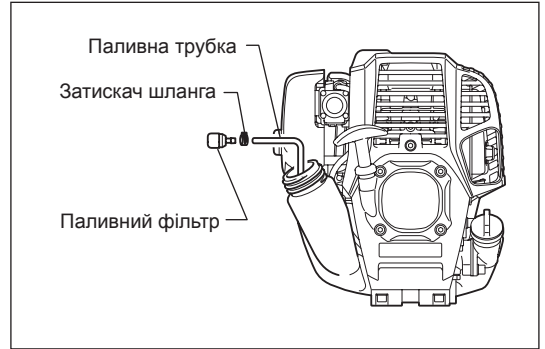
#### УВАГА: ЗАЙМИСТІ РЕЧОВИНИ СУВОРО ЗАБОРОНЕНІ

Паливний фільтр слід перевіряти та чистити щомісяця або через кожні 50 годин роботи.

Періодично перевіряйте паливний фільтр. Для перевірки паливного фільтра слід виконати такі дії.

- (1) Зніміть кришку паливного баку та злийте все пальне. Перевірте, чи не потрапили до паливного баку сторонні предмети. Якщо це сталося, видаліть їх.
- (2) За допомогою дротяного гачка витягніть усмоктувальну головку через отвір баку.
- (3) Якщо паливний фільтр трохи засмітився, почистіть його. Для цього злегка потрясіть його і занурте в пальне. Щоб уникнути пошкодження, не стискайте і не тріть його. Пальне, що використовувалося для чищення, слід утилізувати відповідно до норм та правил, що діють у Вашій країні.
- (4) Після перевірки, чищення або заміни повністю заштотхніть паливний фільтр на дно паливного баку.

Засмічений або пошкоджений паливний фільтр може спричинити недостатню подачу пального і знизити потужність двигуна. Паливний фільтр слід замінювати щонайменше один раз на три місяці, щоб забезпечити задовільне постачання пального до карбюратора.



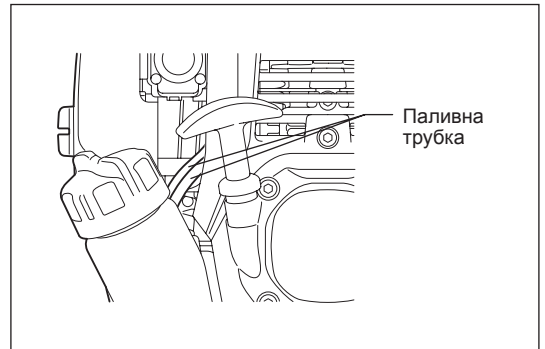
### Заміна паливної трубки

#### ЗАСТЕРЕЖЕННЯ: Займісті речовини суворо заборонені

Паливну трубку слід перевіряти та чистити щодня або через кожні 10 годин роботи.

Замінійте паливну трубку через кожні 200 годин роботи або щороку незалежно від частоти використання інструмента. Інакше витікання пального може призвести до пожежі.

Якщо під час перевірки Ви помітили витікання пального, негайно замініть паливну трубку.



### ПЕРЕВІРКА БОЛТІВ, ГАЙОК ТА ГВИНТІВ

- Затягніть незакріплені болти, гайки тощо.
- Перевірте інструмент на предмет витікання мастила чи пального.
- Для забезпечення безпечної роботи замініть пошкоджені деталі новими.

### ЧИЩЕННЯ ДЕТАЛЕЙ

- Тримайте двигун у чистоті, протираючи його ганчіркою.
- Не допускайте контакту пилу чи бруду із ребрами циліндра. Пил чи бруд, що налипають на ребра, призведуть до стопоріння поршня.

### ЗАМІНА САЛЬНИКІВ ТА УЩІЛЬНЕННЯ

Розібравши двигун, замініть сальники та ущільнення.

З метою проведення технічного обслуговування або налаштування інструмента, не описаного в цій інструкції, слід звертатися до авторизованого сервісного центру компанії MAKITA.

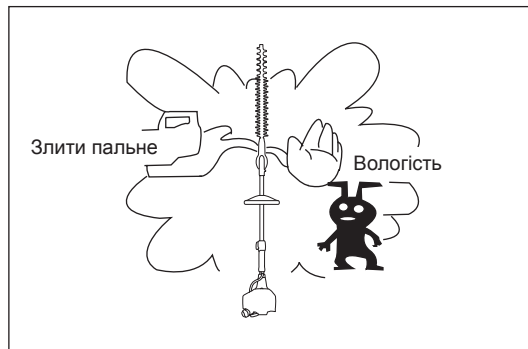
## ЗБЕРІГАННЯ

**УВАГА:** Перед тим як зливати пальне, зупиняйте двигун і давайте йому час охолонути.

Невиконання цієї умови може призвести до займання або пожежі.

**УВАГА:** Якщо Ви не користуєтесь інструментом тривалий час, слід злити все пальне із паливного баку і карбюратора та покласти інструмент на зберігання в сухому чистому місці.

- Зливайте пальне із паливного баку та карбюратора відповідно до зазначеної процедури:
  - 1) Зніміть кришку паливного баку та повністю злийте пальне. Якщо в паливному баку залишається стороння речовина, видаліть її повністю.
  - 2) За допомогою дроту витягніть паливний фільтр із отвору для заливання пального.
  - 3) Натискайте на насос підкачування, доки пальне не витече з нього, а потім злийте пальне, що потрапило до паливного баку.
  - 4) Установіть фільтр в паливний бак та надійно затягніть кришку паливного баку.
  - 5) Після цього продовжуйте роботу двигуна, доки він не зупиниться.
- Зніміть свічку запалювання та залийте декілька крапель моторного мастила крізь отвір свічки запалювання.
- Обережно потягніть за ручку стартера, щоб моторне мастило розтеклося по двигуну, потім установіть свічку запалювання.
- Надягайте кришку на ріжучі полотна.
- Звичайно зберігайте інструмент у горизонтальному положенні. Якщо це неможливо, кладіть інструмент таким чином, щоб двигун розташовувався нижче ріжучого інструмента. Інакше моторне мастило може витекти.
- Слід завжди зберігати інструмент у безпечному місці, щоб запобігти пошкодженню інструмента та уникнути травм.
- Злите пальне зберігайте в спеціальному контейнері в добре вентиляваному темному місці.



**Після тривалого зберігання зверніть увагу на таке**

- Перед запуском інструмента після тривалого періоду зберігання слід обов'язково замінити мастило (див. стор. 44). За час зберігання інструмента мастило псується.

Робочий час		Перед початком роботи	Щодня (10 год.)	25 год.	50 год.	200 год.	Відключення/ зберігання	Відповідна сторінка
Моторне мастило	Перевірити	○						35
	Замінити				○*1			44
Деталі, які підлягають затягуванню (болт, гайка)	Перевірити	○						46
Паливний бак	Почистити/ перевірити	○						-
	Злити пальне						○*3	47
Важіль постачання пального	Перевірити функціональність	○						37
Пусковий перемикач	Перевірити функціональність	○						37, 39
Ріжучі полотна	Перевірити	○	○					37, 42
Обертання на низькій швидкості	Перевірити/ відрегулювати		○					39
Повітряний фільтр	Почистити		○					45
Свічка запалювання	Перевірити		○					46
Канал охолоджувального повітря	Почистити/ перевірити		○					46
Паливна трубка	Перевірити		○					46
	Замінити					◎*2		-
Консистентне мастило редуктора	Долити			○				43
Паливний фільтр	Почистити/ замінити				○			46
Зазор між клапаном постачання повітря та клапаном випуску повітря	Відрегулювати					◎*2		-
Капітальний ремонт двигуна						◎*2		-
Карбюратор	Злити пальне						○*3	47

\*1 Виконайте першу заміну після 20 годин роботи.

\*2 Для перевірки після 200 годин роботи зверніться до співробітника авторизованої станції технічного обслуговування або до магазину, де було придбано інструмент.

\*3 Після того як Ви злили все пальне із паливного баку, продовжуйте роботу двигуна, доки не закінчиться пальне у карбюраторі.



## ВИЯВЛЕННЯ ТА УСУНЕННЯ НЕСПРАВНОСТЕЙ

Перш ніж зробити замовлення на ремонт, перевірте несправність самостійно. Якщо Ви виявили несправність, здійсніть керування інструментом таким чином, як описано в цій інструкції з експлуатації. Ніколи не втручайтеся в роботу інструмента та не розбирайте будь-які його частини, якщо це суперечить правилам, наведеним у цій інструкції з експлуатації. З питань ремонту звертайтеся до співробітника авторизованої станції технічного обслуговування або до місцевого представництва компанії.

Стан несправності	Ймовірна причина (несправність)	Засіб виправлення
Двигун не запускається	Не був задіяний насос підкачування	Натисніть від 7 до 10 разів
	Низька швидкість витягування троса стартера	Тягніть сильніше
	Нестача пального	Залийте пальне
	Засмічений паливний фільтр	Почистіть
	Перегнутий паливний трубопровід	Випряміть паливний трубопровід
	Зіпсоване пальне	Зіпсоване пальне спричиняє труднощі під час запуску двигуна. Замініть новим (рекомендований термін заміни: 1 місяць).
	Надмірне усмоктування пального	Установіть важіль постачання пального із середньої швидкості на високу та потягніть за ручку стартера, доки двигун не запуститься. <b>Після запуску двигуна ріжучі полотна починають рухатися. Слідкуйте за ріжучими полотнами.</b> Якщо двигун все ще не запускається, зніміть свічку запалювання, висушіть електрод та встановіть ці деталі на місце знову. Після цього запустіть двигун, як описано вище.
	Від'єднаний ковпачок свічки запалювання	Надійно прикріпіть
	Засмічена свічка запалювання	Почистіть
	Ненормальний зазор свічки запалювання	Відрегулюйте зазор
	Інші несправності свічки запалювання	Замініть
	Несправний карбюратор	Зробіть замовлення на перевірку та технічне обслуговування.
	Неможливо тягнути за трос стартера	Зробіть замовлення на перевірку та технічне обслуговування.
Несправна трансмісія	Зробіть замовлення на перевірку та технічне обслуговування.	
Двигун швидко зупиняється Швидкість двигуна не збільшується	Недостатнє прогрівання	Здійсніть процедуру прогрівання
	Важіль дроселювання встановлений в положення "I", хоча двигун прогрітий.	Установіть у положення "II"
	Засмічений паливний фільтр	Прочистіть або замініть
	Забруднений чи засмічений повітряний фільтр	Почистіть
	Несправний карбюратор	Зробіть замовлення на перевірку та технічне обслуговування.
	Несправна трансмісія	Зробіть замовлення на перевірку та технічне обслуговування.
Ріжуче полотно не рухається ↓ Негайно зупиніть двигун	Невірно налаштований кут ріжучої частини	Переконайтеся, що фіксатор кута належним чином увійшов у зачеплення.
	Ослаблена гайка, що затягує ріжучі полотна	Надійно затягніть
	У ріжучих полотнах застрягли гілки.	Приберіть сторонні предмети
Завелика вібрація головної частини ↓ Негайно зупиніть двигун	Несправна трансмісія	Зробіть замовлення на перевірку та технічне обслуговування.
	Зламани, погнуті або зношені ріжучі полотна	Замініть ріжучі полотна
	Ослаблена гайка, що затягує ріжучі полотна	Надійно затягніть
Ріжучі полотна не зупиняються відразу ↓ Негайно зупиніть двигун	Несправна трансмісія	Зробіть замовлення на перевірку та технічне обслуговування.
	Висока швидкість обертання на холостому ходу	Відрегулюйте
	Від'єднаний дросельний дріт	Надійно прикріпіть
Двигун не зупиняється ↓ Запустіть двигун на холостому ходу та встановіть важіль дроселювання в положення "I"	Несправна трансмісія	Зробіть замовлення на перевірку та технічне обслуговування.
	Від'єднаний конектор Несправність електричної системи	Надійно прикріпіть Зробіть замовлення на перевірку та технічне обслуговування.

Якщо двигун не запускається після прогрівання:

Якщо ніяких несправностей деталей не виявлено, відкрийте дросельну заслінку приблизно на 1/3 та запустіть двигун.

Dziękujemy za wybranie nożyc do żywopłotu z wysięgnikiem firmy MAKITA. Z przyjemnością oferujemy Państwu produkt będący owocem zakrojonego na szeroką skalę programu rozwoju oraz wieloletniej wiedzy i doświadczenia.

Aby bezpiecznie i optymalnie wykorzystać możliwości nożyc do żywopłotu z wysięgnikiem firmy MAKITA, należy uważnie przeczytać niniejszą instrukcję przed użyciem narzędzia i przestrzegać wszystkich podanych poniżej zaleceń, gwarantujących jego prawidłową pracę.



**Spis treści**

**Strona**

Symbole.....	50
Zasady bezpieczeństwa .....	51
Dane techniczne.....	56
Opis części .....	57
Montaż.....	58
Pasek na ramię (wyposażenie dodatkowe).....	58
Paliwo/uzupełnianie paliwa.....	59
Środki ostrożności przed uruchomieniem silnika.....	61
Użytkowanie nożyc do żywopłotu z wysięgnikiem.....	64
Konserwacja.....	66
Przechowywanie.....	71
Wykrywanie i usuwanie usterek .....	73

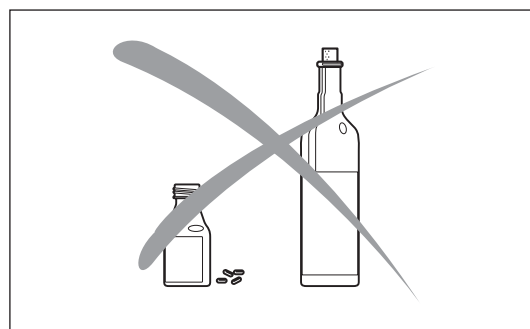
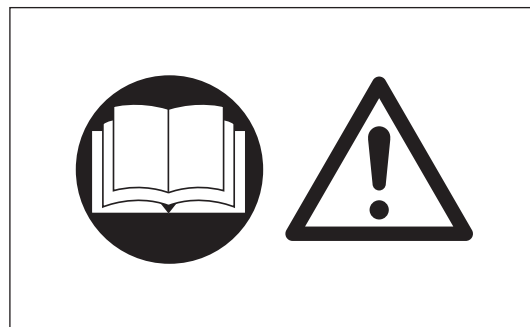
**SYMBOLE**

Podczas czytania niniejszej instrukcji obsługi można napotkać następujące symbole.

	OSTRZEŻENIE/NIEBEZPIECZEŃSTWO		Uważać na zakleszczenie
	Przed użyciem należy uważnie przeczytać i w pełni zrozumieć zalecenia podane w niniejszej instrukcji		Uważać na przewody elektryczne – zagrożenie porażeniem prądem
	ZAKAZ		Paliwo (benzyna)
	Nie palić		Ręczne uruchomienie silnika
	Nie używać otwartego płomienia		Wyłączanie awaryjne
	Nosić obuwie ochronne		Pierwsza pomoc
	Nosić rękawice ochronne		ON/START
	Nie pozwalać, aby w miejscu pracy przebywały osoby lub zwierzęta		OFF/STOP
	Nosić kask ochronny oraz odpowiednią ochronę oczu i słuchu		

## Zalecenia ogólne

- Przed użyciem należy uważnie przeczytać niniejszą instrukcję i dokładnie zapoznać się z zasadami prawidłowej obsługi nożyc do żywopłotu z wysięgnikiem. **NIEPRAWIDŁOWE UŻYCIĘ TEGO NARZĘDZIA MOŻE SPOWODOWAĆ POWAŻNE OBRAŻENIA CIAŁA!**
- Pożyczając narzędzie innej osobie, zawsze należy udzielić jej szczegółowych instrukcji w zakresie prawidłowej obsługi nożyc do żywopłotu z wysięgnikiem. Wraz z nożycami do żywopłotu z wysięgnikiem należy przekazać również instrukcję obsługi.
- Osoby używające nożyc do żywopłotu z wysięgnikiem po raz pierwszy powinny poprosić sprzedawcę o podstawowe informacje na temat prawidłowej obsługi narzędzia.
- Niniejszą instrukcję należy przechować w łatwo dostępnym miejscu celem szybkich konsultacji.
- Nożyce do żywopłotu z wysięgnikiem nie mogą być obsługiwane przez osoby poniżej 18 roku życia. Natomiast osoby powyżej 16 roku życia mogą używać nożyc do żywopłotu z wysięgnikiem w celach szkoleniowych, jeśli znajdują się pod stałym nadzorem osoby dorosłej, znającej zasady obsługi narzędzia.
- Podczas używania nożyc do żywopłotu z wysięgnikiem zawsze należy zachowywać maksymalną ostrożność.
- Nie wolno modyfikować narzędzia.
- Przestrzegać przepisów obsługi nożyc do żywopłotu z wysięgnikiem, obowiązujących w danym kraju.
- Używanie nożyc do żywopłotu z wysięgnikiem w poniższych okolicznościach może być przyczyną poważnych obrażeń. Nie należy używać nożyc do żywopłotu z wysięgnikiem:
  - Gdy jest się zmęczonym lub chorym.
  - Po spożyciu alkoholu i/lub zażyciu leku.
  - Nocą lub przy słabym oświetleniu.
  - Będąc w ciąży.

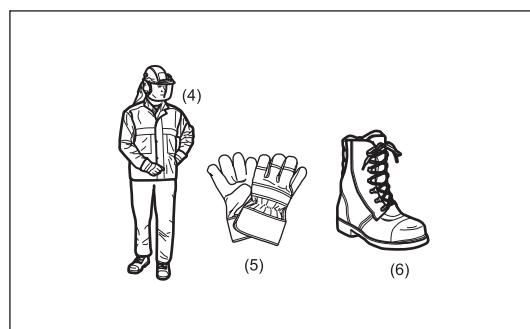
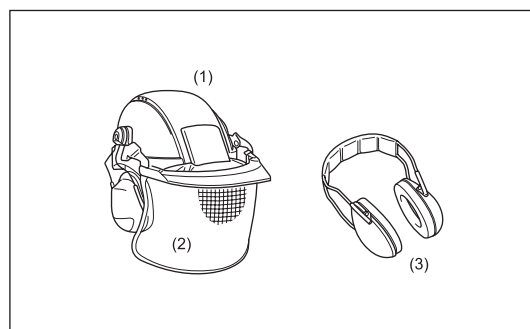


## Przeznaczenie

- Nożyce do żywopłotu z wysięgnikiem są przeznaczone tylko do przycinania krzewów i żywopłotów. Nie należy ich używać do innych celów.

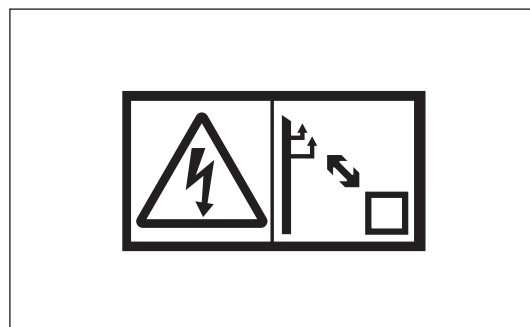
## Sprzęt ochrony osobistej

- Odzież noszona podczas pracy powinna być funkcjonalna i dobrze dopasowana, lecz nie może krępować ruchów. Nie nosić odzieży lub biżuterii, która może zaplątać się w podszyciu lub w narzędziu.
- Aby odpowiednio zabezpieczyć się przed obrażeniami głowy, oczu, dłoni lub stóp, jak również w celu ochrony słuchu, podczas używania nożyc do żywopłotu z wysięgnikiem należy stosować następujący sprzęt ochrony osobistej.
- Aby zabezpieczyć głowę i oczy przed obrażeniami, zawsze należy nosić kask ochronny (1) z goglami lub osłoną twarzy (2).
- Aby uniknąć uszkodzenia słuchu, zawsze należy nosić odpowiednie ochronniki słuchu (3).
- Stanowczo zaleca się noszenie dopasowanego kombinezonu roboczego (4).
- Podczas obsługi nożyc do żywopłotu z wysięgnikiem zawsze należy nosić mocne skórzane rękawice robocze (5).
- Podczas używania nożyc do żywopłotu z wysięgnikiem zawsze należy nosić wytrzymałe obuwie (6) na podeszwie antypoślizgowej. Specjalne buty robocze zapewniają dobre oparcie i chronią przed obrażeniami.
- Podczas dotykania ostrzy lub noża należy nosić rękawice ochronne. Ostrza mogą poważnie zranić odsłonięte dłonie.



## Bezpieczeństwo w miejscu pracy

- **⚠ NIEBEZPIECZEŃSTWO:** Nie zbliżać nożyc do żywopłotu z wysięgnikiem do przewodów elektrycznych i komunikacyjnych. Kontakt lub zbliżenie narzędzia do linii wysokiego napięcia może prowadzić do śmierci lub poważnych obrażeń ciała. Zwrócić uwagę na linie elektroenergetyczne oraz ogrodzenia elektryczne wokół obszaru pracy przed rozpoczęciem pracy.
- Uruchamiać silnik i utrzymywać go w trybie pracy tylko na zewnątrz, w dobrze wentylowanym miejscu. Praca silnika w zamkniętym lub słabo wentylowanym pomieszczeniu może prowadzić do śmierci w wyniku uduszenia lub zatrucia tlenkiem węgla.
- Podczas pracy nożyc do żywopłotu z wysięgnikiem należy zachować odległość co najmniej 15 m od osób postronnych, szczególnie dzieci, lub zwierząt. Wyłączyć silnik w przypadku zbliżania się jakiegokolwiek osoby.
- Przed rozpoczęciem pracy należy sprawdzić obszar roboczy pod kątem występowania ogrodzeń drucianych, kamieni lub innych przedmiotów. Mogą one doprowadzić do uszkodzenia ostrzy.
- **⚠ OSTRZEŻENIE:** Eksploatacja niniejszego produktu może prowadzić do powstania pyłu zawierającego substancje chemiczne, które mogą przedostać się do układu oddechowego lub przyczynić się do innych dolegliwości. Niektóre substancje chemiczne mogą stanowić związki występujące w pestycydach, środkach owadobójczych, nawozach i środkach chwastobójczych. Stopień narażenia na te substancje zależy od tego, jak często wykonuje się takie prace. Aby ograniczyć to zagrożenie: należy pracować w miejscach o dobrej wentylacji i używać sprawdzonych zabezpieczeń, takich jak maski przeznaczone do odfiltrowywania mikroskopijnych cząstek.



## Uruchamianie nożyc do żywopłotu z wysięgnikiem

- Przed montażem lub regulacją narzędzia należy wyłączyć silnik i zdjąć nasadkę świecy zapłonowej.
- Przed uruchomieniem nożyc do żywopłotu z wysięgnikiem zawsze należy upewnić się, że narzędzie jest sprawne technicznie.
- Nie uruchamiać silnika, jeśli narzędzie jest uszkodzone.
- Sprawdzić działanie mechanizmu zabezpieczającego dźwigni przepustnicy. Dźwignia blokady powinna działać płynnie i bez oporu. Upewnić się, że dźwignia blokady działa prawidłowo. Sprawdzić, czy uchwyty są czyste i suche oraz przetestować działanie przelącznika STOP, upewniając się, że działa prawidłowo.

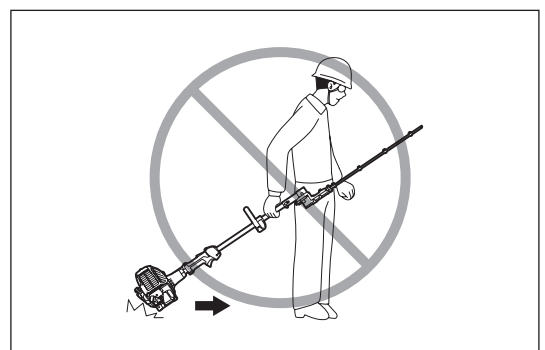
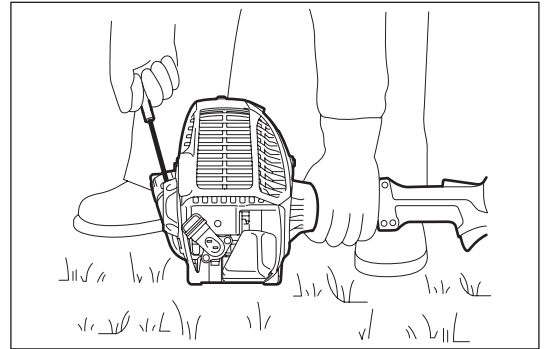
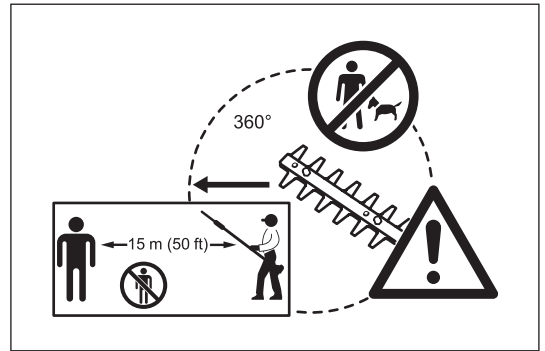
Zawsze uruchamiać nożycy do żywopłotu z wysięgnikiem zgodnie ze wskazówkami podanymi w niniejszej instrukcji obsługi.

## Podczas uruchamiania nożyc do żywopłotu z wysięgnikiem należy przestrzegać poniższych zaleceń

- Nożycy do żywopłotu z wysięgnikiem można uruchomić dopiero ich całkowitym zmontowaniu i zamocowaniu wszystkich akcesoriów.
- Podczas uruchamiania silnika nie należy zbliżać ostrzy do ciała lub innych przedmiotów, w tym podłoża. Ostrza mogą zostać wprawione w ruch podczas uruchamiania i spowodować poważne obrażenia ciała lub uszkodzenia samego noża i/lub innego mienia.
- Przed uruchomieniem silnika należy upewnić się, że ostrza tnące nie są zablokowane przez żadne ciała obce, takie jak kamienie, gałęzie itp.
- W razie problemów z silnikiem, należy natychmiast go wyłączyć.
- Ciągając za uchwyt rozrusznika, należy mocno docisnąć narzędzie lewą ręką do podłoża. Nigdy nie stawać na wałku napędowym.
- Jeśli ostrza obracają się na biegu jałowym, należy wyłączyć silnik i obniżyć prędkość biegu jałowego.
- Podczas obsługi nożyc do żywopłotu z wysięgnikiem zawsze należy mocno trzymać oba uchwyty. Mocno zacisnąć palce na uchwytach, obejmując je kciukiem i palcem wskazującym. Aby przez cały czas kontrolować nożycy do żywopłotu z wysięgnikiem, należy unikać zmiany chwytu podczas pracy. Dbać, aby uchwyty były w dobrym stanie i chronić je przed zamoczeniem, błotem, olejem lub smarem.

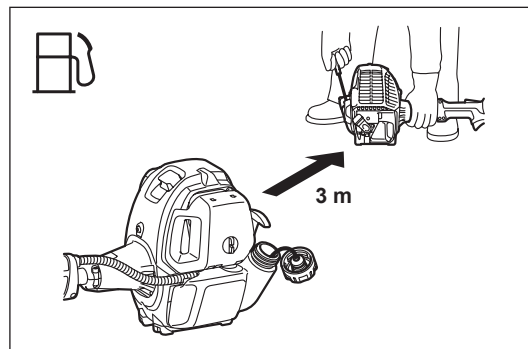
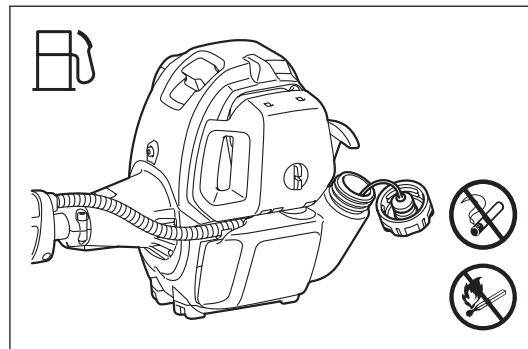
## Zawsze należy pamiętać o zachowaniu bezpiecznej, stabilnej postawy.

- W razie wystąpienia kłopotów z silnikiem lub jeśli uruchomieniu narzędzia towarzyszy nietypowy hałas, zawsze należy natychmiast wyłączyć silnik i przerwać pracę.
- Spaliny są trujące. Nigdy nie należy używać narzędzia w zamkniętym pomieszczeniu lub tunelu pozbawionym wentylacji (ryzyko uduszenia lub zatrucia gazem). Należy pamiętać, że tlenek węgla jest gazem bezwonny. Zawsze należy zadbać o to, aby w miejscach uruchamiania silnika była odpowiednia wentylacja.
- Wyłączać silnik na czas przerw w pracy i pozostawiania nożyc do żywopłotu z wysięgnikiem bez nadzoru. Umieścić narzędzie w bezpiecznym miejscu, upewniając się, że w pobliżu nie ma żadnych materiałów łatwopalnych.
- Nie kłaść rozgrzanych nożyc do żywopłotu z wysięgnikiem na suchej trawie lub innych materiałach łatwopalnych.
- Aby ograniczyć ryzyko pożaru, należy czyścić silnik i tłumik z zanieczyszczeń, liści lub nadmiernej ilości smaru.
- Nie uruchamiać silnika z uszkodzonym tłumikiem.
- Wyłączać silnik przed transportem.
- Zawsze wyłączać silnik w przypadku:
  - Przerwy w pracy
  - Transportu narzędzia
  - Czyszczenia narzędzia
  - Tankowania narzędzia
  - Konserwacji narzędzia
  - Usuwania problemów z narzędziem
- Narzędzie należy przenosić w pozycji poziomej, trzymając za drążek. Nie zbliżać gorącego tłumika do ciała.
- Podczas transportu narzędzia w pojeździe zawsze należy prawidłowo zamocować nożycy do żywopłotu z wysięgnikiem w pozycji uniemożliwiającej wyciek paliwa.
- Przed transportem nożyc do żywopłotu z wysięgnikiem w pojeździe zawsze należy opróżnić zbiornik paliwa.
- Wyjmując narzędzie z pojazdu należy uważać, aby go nie upuścić, ponieważ może to poważnie uszkodzić zbiornik paliwa.
- Oprócz sytuacji awaryjnych, nigdy nie należy rzucać nożyc do żywopłotu z wysięgnikiem, ponieważ mogą ulec poważnym uszkodzeniom.
- Przenosząc nożycy do żywopłotu z wysięgnikiem, zawsze należy całkowicie unieść je nad podłoże. Nie wolno ciągnąć silnika po podłożu, ponieważ może to uszkodzić zbiornik paliwa i spowodować pożar.
- Zawsze należy stosować osłonę noża, która zabezpiecza i chroni część tnącą nożyc do żywopłotu z wysięgnikiem podczas transportu i przechowywania.
- W przypadku silnego uderzenia narzędziem lub upadku narzędzia, należy sprawdzić jego stan przed dalszą pracą. Sprawdzić układ paliwowy pod kątem szczelności oraz elementy sterujące i zabezpieczenia pod kątem prawidłowego działania. W razie stwierdzenia uszkodzeń lub wątpliwości co do prawidłowej pracy narzędzia, należy zwrócić się do autoryzowanego centrum serwisowego w celu przeprowadzenia przeglądu i naprawy.



## Uzupełnianie paliwa

- Przed uzupełnianiem paliwa należy wyłączyć silnik.
- Nie uzupełniać paliwa w pobliżu otwartego ognia.
- Nie palić podczas uzupełniania paliwa.
- Przed uzupełnianiem paliwa należy odczekać wystarczająco długo, aby silnik ostygł.
- Chronić skórę przed kontaktem z produktami ropopochodnymi. Podczas uzupełniania paliwa nie należy wdychać oparów benzyny i zawsze nosić rękawice ochronne.
- Pamiętać o regularnej zmianie i praniu odzieży ochronnej.
- Zachować szczególną ostrożność i nie dopuścić do rozlania benzyny i oleju, aby zapobiec skażeniu gruntu (ochrona środowiska). W razie rozlania benzyny lub oleju na nożyce do żywopłotu z wysięgnikiem, należy natychmiast wytrzeć powierzchnię narzędzia szmatą. Aby uniknąć samozapłonu, należy zostawić mokre szmaty do wyschnięcia przed umieszczeniem ich w odpowiednim, zamkniętym pojemniku.
- Zachować ostrożność, aby nie zabrudzić odzieży paliwem. Odzież zabrudzoną paliwem należy natychmiast zmienić (zagrożenie pożarem).
- Zamknąć zbiornik paliwa i mocno dokręcić korek. Przed ponownym uruchomieniem silnika należy przenieść nożyce do żywopłotu z wysięgnikiem co najmniej 3 metry od miejsca tankowania.
- Regularnie sprawdzać, czy korek wlewu paliwa jest mocno dokręcony.
- Nie tankować narzędzia w zamkniętych pomieszczeniach. Opary paliwa gromadzą się na poziomie podłoża (ryzyko wybuchu).
- Paliwo należy przechowywać tylko w odpowiednich pojemnikach poza zasięgiem dzieci.



## Praca

- W sytuacjach awaryjnych należy natychmiast wyłączyć silnik.
- W razie zauważenia jakichkolwiek nietypowych zmian w pracy narzędzia (np. hałas, wibracje), należy wyłączyć silnik. Nie używać nożyc do żywopłotu z wysięgnikiem przed rozpoznaniem i usunięciem przyczyny problemu.
- Ostrza pozostają w ruchu przez krótką chwilę po zwolnieniu spustu przepustnicy lub wyłączeniu silnika. Nie dotykać ostrzy bezpośrednio po wyłączeniu.
- Nigdy nie używać narzędzia, trzymając je jedną ręką. Utrata panowania nad narzędziem może prowadzić do powstania poważnych lub śmiertelnych obrażeń ciała. Aby ograniczyć ryzyko powstania obrażeń, nie należy zbliżać dłoni ani stóp do ostrzy.
- Podczas pracy nie należy podnosić prawej ręki powyżej wysokości barku. W przeciwnym razie można stracić panowanie nad narzędziem i odnieść obrażenia.
- Podczas pracy nigdy nie uderzać ostrzami w twarde przedmioty, takie jak kamienie czy elementy metalowe. Należy zachować szczególną ostrożność podczas przycinania żywopłotów rosnących wzdłuż siatki ogrodzeniowej, które wrosły w ogrodzenie. Podczas przycinania blisko gruntu należy uważać, aby między ostrza nie dostał się piasek, żwir lub kamienie.
- W przypadku kontaktu ostrzy z kamieniami lub innymi przedmiotami, należy niezwłocznie wyłączyć silnik i sprawdzić ostrza pod kątem uszkodzenia po zdjęciu nasadki świecy zapłonowej. Jeśli ostrza są uszkodzone, należy je wymienić.
- Nie dotykać ani nie zbliżać się do poruszających się ostrzy. Ostrza mogą z łatwością odciąć palce. Przed obsługą lub kontaktem z nożem należy wyłączyć silnik i zdjąć nasadkę świecy zapłonowej.
- W przypadku zakleszczenia grubych gałęzi pomiędzy ostrzami należy niezwłocznie wyłączyć silnik, opuścić nożyce do żywopłotu z wysięgnikiem, a następnie usunąć przeszkodę po zdjęciu nasadki świecy zapłonowej. Przed ponownym użyciem narzędzia należy sprawdzić ostrza pod kątem uszkodzenia.
- Zwiększanie prędkości silnika podczas zablokowania ostrzy zwiększa obciążenie i może uszkodzić silnik i/lub sprzęgło.
- Regularnie sprawdzać ostrza tnące podczas pracy pod kątem pęknięć lub stępienia krawędzi. Przed sprawdzeniem należy wyłączyć silnik i poczekać na całkowite zatrzymanie ostrzy. Uszkodzone lub stępione ostrza należy niezwłocznie wymienić, nawet jeśli posiadają tylko powierzchowne pęknięcia.
- Nie dotykać przekładni. Podczas pracy przekładnia nagrzewa się.
- Robić przerwy podczas pracy z narzędziem, aby zapobiec utracie panowania w wyniku zmęczenia. Po każdej przepracowanej godzinie zaleca się 10-20 minut przerwy.
- Przed rozpoczęciem cięcia należy całkowicie pociągnąć dźwignię przepustnicy, aby uzyskać maksymalną prędkość.
- Podczas pracy przez cały czas należy trzymać nożyce do żywopłotu z wysięgnikiem obiema rękami.
- Używać nożyc do żywopłotu z wysięgnikiem tylko przy dobrym oświetleniu i widoczności. Zimą należy zachować ostrożność na śliskich i mokrych nawierzchniach (lód i śnieg – ryzyko poślizgnięcia) i zawsze mieć pewne oparcie.
- Nie używać nożyc do żywopłotu z wysięgnikiem, stojąc na niestabilnym podłożu bądź stromym zboczu.
- Nie używać nożyc do żywopłotu z wysięgnikiem, stojąc na drabinie.
- Nie wspinać się na drzewa w celu użycia nożyc do żywopłotu z wysięgnikiem z drzewa.
- Aby uniknąć potknięcia lub przewrócenia się o jakąś przeszkodę, nie należy chodzić tyłem podczas używania nożyc do żywopłotu z wysięgnikiem.
- Zawsze wyłączać silnik przed czyszczeniem lub serwisowaniem narzędzia. Silnik należy również wyłączyć przed wymianą części.
- Nie używać nożyc do żywopłotu z wysięgnikiem, jeśli nóż jest uszkodzony lub zużyty.

## Drgania

- U osób z problemami krążeniowymi, które są narażone na działanie zbyt intensywnych drgań, może dochodzić do uszkodzenia naczyń krwionośnych lub układu nerwowego. Drgania mogą wywoływać poniższe objawy w palcach, rękach lub nadgarstkach: cierpienie (drętwienie), mrowienie, ból, wrazenie klucia, zmiany w zabarwieniu skóry lub zmiany na skórze. W razie wystąpienia dowolnego z powyższych objawów, należy zgłosić się do lekarza!
- W celu zmniejszenia ryzyka wystąpienia choroby wibracyjnej, należy zapobiegać wyiębieniu dłoni oraz odpowiednio konserwować narzędzie i wyposażenie dodatkowe.

## Instrukcja konserwacji

- Narzędzie powinno być serwisowane przez nasze autoryzowane centrum serwisowe, zawsze wykorzystując wyłącznie oryginalne części zamienne. Nieprawidłowa naprawa i konserwacja mogą skrócić okres eksploatacji narzędzia oraz zwiększyć ryzyko wypadków.
- Zawsze należy dokładać wszelkich starań, aby maksymalnie ograniczyć hałas i zanieczyszczenie podczas używania nożyc do żywopłotu z wysięgnikiem. Zwracać szczególną uwagę na prawidłowe ustawienie gaźnika.
- Regularnie czyścić nożyce do żywopłotu z wysięgnikiem i sprawdzać, czy wszystkie śruby i nakrętki są mocno dokręcone.
- Nie serwisować ani nie przechowywać nożyc do żywopłotu z wysięgnikiem w pobliżu otwartego ognia, isker itp.
- Nigdy nie naprawiać wygiętych lub pękniętych ostrzy poprzez ich prostowanie lub spawanie. Może to spowodować wypadnięcie ostrzy i skutkować poważnymi obrażeniami. W celu wymiany oryginalnych ostrzy firmy MAKITA, należy zwrócić się do autoryzowanego centrum serwisowego MAKITA.
- Aby zapobiec dalszym uszkodzeniom i/lub obrażeniom ciała, nie należy naprawiać uszkodzonych nożyc do żywopłotu z wysięgnikiem, nie mając wymaganych kwalifikacji. W sprawie napraw zawsze należy kontaktować się ze sprzedawcą lub autoryzowanym serwisem.

Nie wolno modyfikować ani przerabiać nożyc do żywopłotu z wysięgnikiem, ponieważ może to zagrażać bezpieczeństwu.

Prace konserwacyjne, które mogą zostać wykonane przez użytkownika, ograniczają się do czynności opisanych w niniejszej instrukcji obsługi. Wszelkie pozostałe prace muszą być wykonywane przez autoryzowany serwis.

Nożyce do żywopłotu z wysięgnikiem należy regularnie sprawdzać i konserwować w autoryzowanym centrum serwisowym firmy MAKITA.

Używać tylko oryginalnych części zamiennych i akcesoriów, dostarczanych przez autoryzowane centra serwisowe firmy MAKITA.

Używanie niezatwierdzonych akcesoriów i narzędzi może zwiększać ryzyko wypadków i obrażeń. Firma MAKITA nie ponosi żadnej odpowiedzialności za wypadki lub szkody spowodowane użyciem niezatwierdzonych akcesoriów i części.

## Przechowywanie

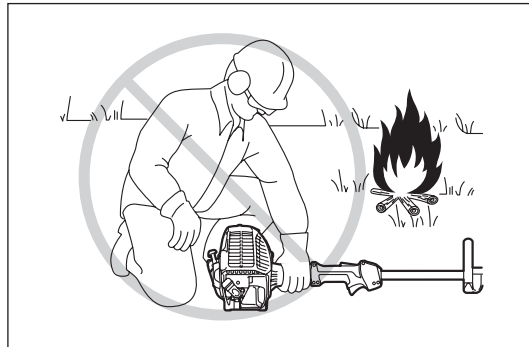
- Przed przechowaniem narzędzia na dłuższy czas, należy je dokładnie wyczyścić i zakonserwować. Założyć osłonę noża.
- Nożyce do żywopłotu z wysięgnikiem zawsze należy przechowywać w zamkniętym pomieszczeniu o dobrej wentylacji, po uprzednim opróżnieniu zbiornika paliwa. Przez cały czas narzędzie powinno znajdować się poza zasięgiem dzieci.
- Nożyc do żywopłotu z wysięgnikiem nie należy o nic opierać (np. o ścianę). Narzędzie może się nagle przewrócić, powodując obrażenia.

## Pierwsza pomoc

W ramach zabezpieczenia na okoliczność wypadku, w miejscu wykonywania pracy należy przygotować w pełni wyposażoną apteczkę pierwszej pomocy. Wszelkie zużyte materiały z apteczki należy niezwłocznie uzupełniać.

## Wzywając karetkę, należy podać następujące informacje:

- Miejsce wypadku
- Opis zdarzenia
- Liczba osób, które odniosły obrażenia
- Zakres obrażeń
- Własne imię i nazwisko



**Dotyczy tylko krajów europejskich**

**Deklaracja zgodności WE**

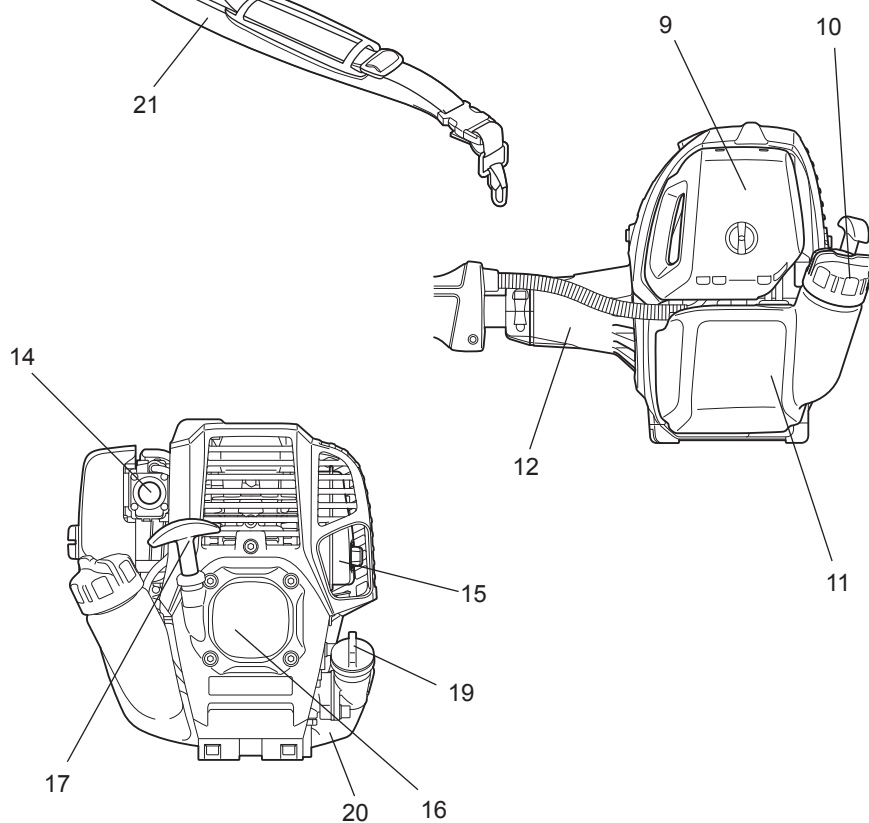
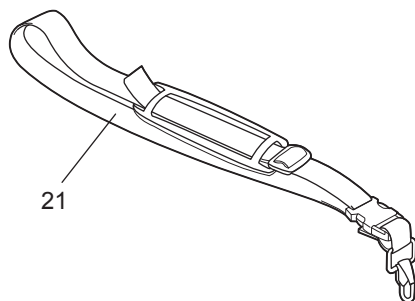
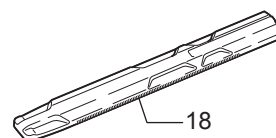
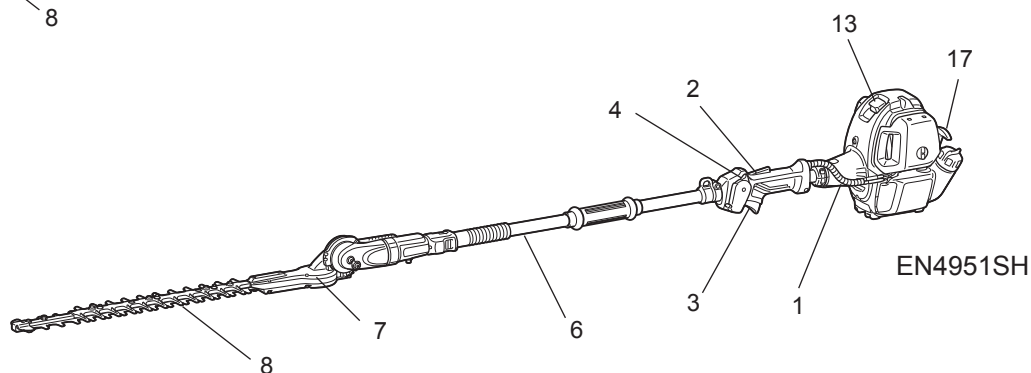
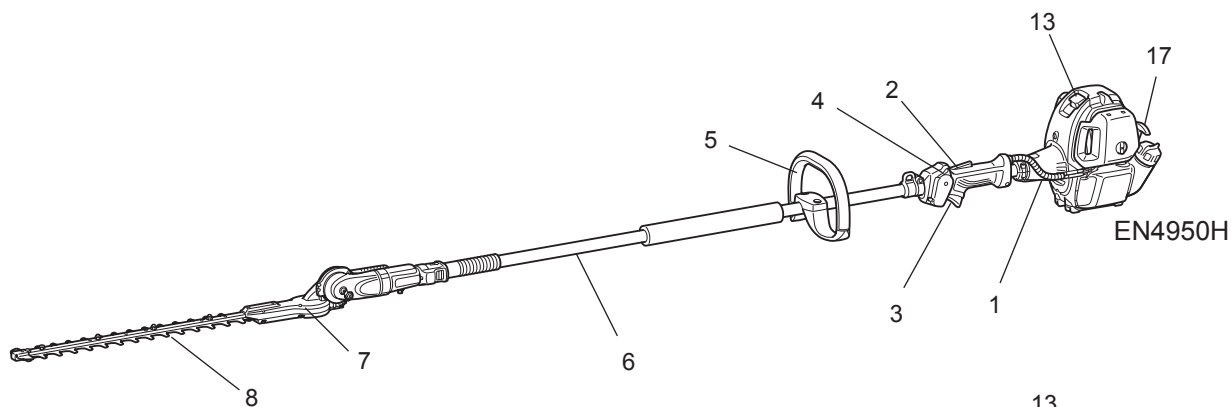
Deklaracja zgodności WE została dołączona jako załącznik A do niniejszej instrukcji obsługi.

## DANE TECHNICZNE

Model	EN4950H		EN4951SH		
	Uchwyt pałkowy		Uchwyt prosty		
Wymiary (dług. x szer. x wys.)	2 550 mm x 242 mm x 241 mm		2 050 mm x 221 mm x 241 mm		
Masa netto	6,9 kg		6,6 kg		
Pojemność (zbiornik paliwa)	0,6 l				
Długość noża	490 mm				
Maksymalna średnica gałęzi	7 mm				
Pojemność skokowa cięcia	4 200 min <sup>-1</sup>				
Typ silnika	Jednocylindrowy, czterosuwowy, chłodzony powietrzem				
Pojemność skokowa silnika	25,4 cm <sup>3</sup>				
Maksymalna moc silnika	0,77 kW przy 7 000 min <sup>-1</sup>				
Prędkość silnika przy zalecanej maks. prędkości obrotowej wrzeczona	10 000 min <sup>-1</sup>				
Zużycie paliwa	0,33 kg/h				
Zużycie jednostkowe paliwa	408 g/kWh				
Obroty na biegu jałowym	3 000 min <sup>-1</sup>				
Prędkość włączania sprzęgła	4 400 min <sup>-1</sup>				
Gaźnik (gaźnik przeponowy)	Przeponowy				
Świeca zapłonowa	typ	NGK CMR4A			
Przerwa między elektrodami	0,7-0,8 mm				
		Wibracje wg ISO 10517		Wibracje wg ISO 10517	
Uchwyt prawy (rękojeść tylna)	a <sub>hv eq</sub>	8,5 m/s <sup>2</sup>		7,0 m/s <sup>2</sup>	
	Niepewność K	1,3 m/s <sup>2</sup>		3,1 m/s <sup>2</sup>	
Uchwyt lewy (rękojeść przednia)	a <sub>hv eq</sub>	6,4 m/s <sup>2</sup>		5,1 m/s <sup>2</sup>	
	Niepewność K	2,6 m/s <sup>2</sup>		1,5 m/s <sup>2</sup>	
		Poziom emisji hałasu zgodnie z normą ISO 10517		Poziom emisji hałasu zgodnie z normą ISO 10517	
Poziom ciśnienia akustycznego		90 dB (A)		90,2 dB (A)	
Niepewność K		1,8 dB (A)		1,0 dB (A)	
Poziom mocy akustycznej		103,0 dB (A)		104,1 dB (A)	
Niepewność K		1,0 dB (A)		0,4 dB (A)	
Paliwo		Benzyna samochodowa			
Olej silnikowy		Olej klasy SF lub wyższej wg klasyfikacji API lub olej 10W-30 wg klasyfikacji SAE (olej do 4-suwowych silników samochodowych)			
Przełożenie przekładni		1/4,78			



## OPIS CZĘŚCI



	Opis części
1	Linka przepustnicy
2	Dźwignia blokady
3	Dźwignia przepustnicy
4	Wyłącznik
5	Uchwyt
6	Drążek
7	Przekładnia
8	Ostrze tnące
9	Filtr powietrza
10	Korek wlewu paliwa
11	Zbiornik paliwa
12	Obudowa sprzęgła
13	Nasadka świecy zapłonowej
14	Pompka zastrzykowa
15	Tłumik
16	Rozrusznik mechaniczny
17	Uchwyt rozrusznika
18	Ośłona noża
19	Korek wlewu oleju
20	Zbiornik oleju
21	Pasek na ramię (wyposażenie dodatkowe)

## MONTAŻ

### ⚠ OSTRZEŻENIE:

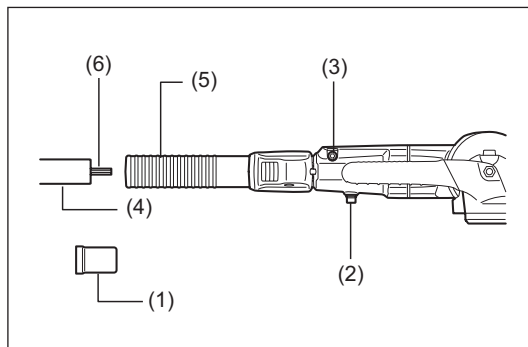
- Przed zmontowaniem nożyc do żywopłotu z wysięgnikiem należy upewnić się, że silnik jest wyłączony, a następnie zdjąć nasadkę świecy zapłonowej.
- Nosić rękawice ochronne!
- Podłączając ostrza tnące do wysięgnika, należy zabezpieczyć je dostarczoną osłoną noża.

1. Wyjąć zaślepkę (1) z drążka.
2. Odkręcić śruby M5 x 16 (2) i M5 x 25 (3).
3. Wsunąć drążek (4) w osłonę (5).

UWAGA: Należy upewnić się, że drążek został całkowicie wsunięty w osłonę (ok. 237 mm / 9-3/8").

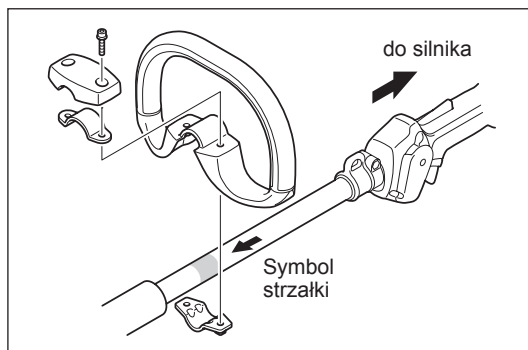
W razie problemów z wsunięciem drążka należy nieco ręcznie przekrócić oś napędową (6) i ponowić próbę.

4. Upewnić się, że drążek został prawidłowo wsunięty, po czym dokręcić śruby M5 x 16 i M5 x 25.



### MOCOWANIE UCHWYTU (dotyczy EN4950H)

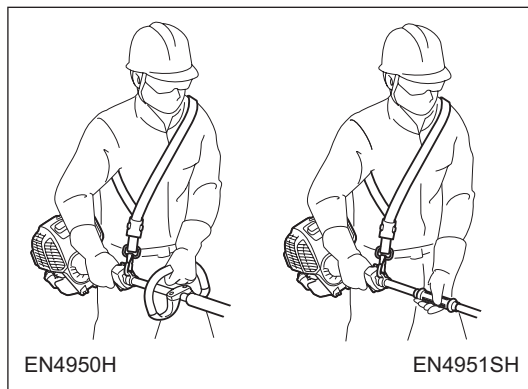
- Zamocować uchwyt pałkowy na drążku, jak pokazano na rysunku.
- W celu zachowania właściwej odległości między rękojeściami, należy ustawić uchwyt pałkowy przed strzałkami.



## PASEK NA RAMIĘ (wyposażenie dodatkowe)

### Zakładanie paska na ramię

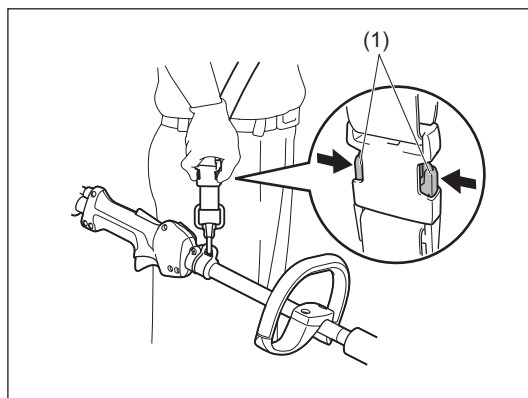
- Pasek należy przełożyć przez lewe ramię.
- Nożyce do żywopłotu z wysięgnikiem powinny znajdować się po prawej stronie ciała.
- Przymocować pasek do zaczepu na nożycach do żywopłotu z wysięgnikiem i wyregulować długość paska w celu uzyskania komfortowej pozycji roboczej.



### Odczepianie

- W sytuacji awaryjnej należy nacisnąć przyciski (1) po obu stronach, aby odczepić narzędzie. Zachować maksymalną ostrożność, aby nie stracić panowania nad narzędziem. Nie dopuścić, aby narzędzie odchyliło się w stronę użytkownika lub innej osoby przebywającej w pobliżu.

OSTRZEŻENIE: Utrata panowania nad narzędziem może spowodować poważne obrażenia lub ŚMIERĆ.



## PRZED ROZPOCZĘCIEM PRACY

### Kontrola i uzupełnianie oleju silnikowego

- Po ostygnięciu silnika należy wykonać następującą procedurę.
- Ustawić silnik poziomo, wyjąć korek wlewu oleju (Rys. 1) i sprawdzić, czy poziom oleju mieści się między oznaczeniami górnego i dolnego limitu na przewodzie olejowym (Rys. 2).
- Jeśli poziom oleju jest zbyt niski (poziom oleju bliski oznaczenia dolnego limitu), należy go uzupełnić do oznaczenia górnego limitu (Rys. 3).
- Obszar w pobliżu zewnętrznych oznaczeń jest przezroczysty, więc ilość oleju wewnątrz można sprawdzić bez konieczności wyjmowania korka wlewu oleju. Jeśli jednak przewód olejowy będzie bardzo brudny, widoczność może się pogorszyć i trzeba będzie sprawdzić poziom oleju za pomocą podziałki wewnątrz przewodu olejowego.
- Orientacyjna częstotliwość dolewania oleju wynosi około 10 godzin (po każdym 10 tankowaniach).
- Jeśli olej zmienił kolor lub zawiera zanieczyszczenia, należy go wymienić. (Częstotliwość i sposób wymiany: patrz str. 68)

**Zalecany olej:** SAE 10W-30, klasyfikacja API, klasa SF lub wyższa (olej do 4-suwowych silników samochodowych)

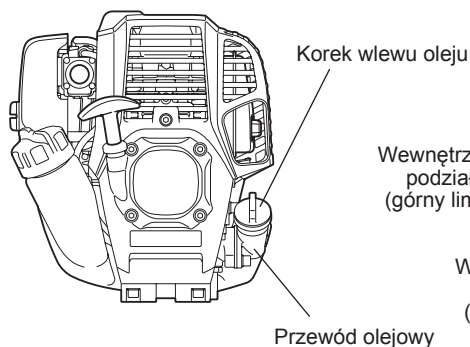
**Pojemność oleju:** Ok. 0,08 l

**UWAGA:** Jeśli silnik nie będzie trzymany prosto, olej może się rozlać wokół silnika lub można wlać go za dużo.

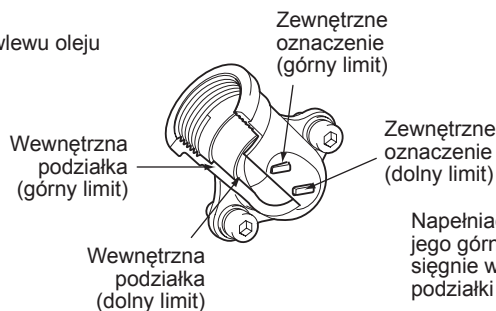
W przypadku wiania nadmiernej ilości oleju może dojść do jego zanieczyszczenia lub zapalenia, przy którym pojawi się biały dym.

### Punkt 1 – Wymiana oleju: „Korek wlewu oleju”

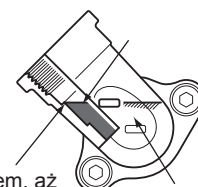
- Usunąć kurz lub brud nagromadzony wokół otworu wlewu oleju i odkręcić korek wlewu oleju.
- Chronić odkręcony korek wlewu oleju przed zanieczyszczeniem piaskiem lub kurzem. W przeciwnym razie piasek lub kurz znajdujący się na korku mogą spowodować nieprawidłowy obieg oleju lub zużycie części silnika, prowadząc do awarii.



Rys. 1

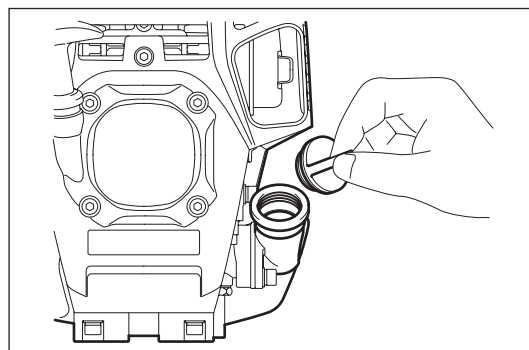


Rys. 2 Przewód olejowy

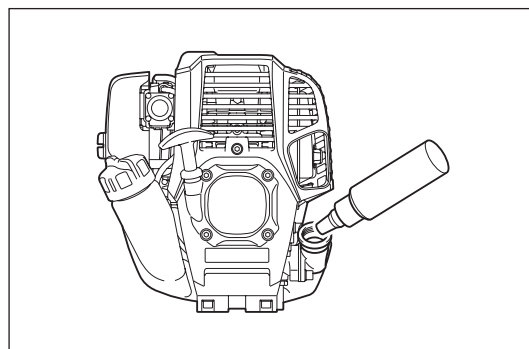


Rys. 3

(1) Trzymać silnik prosto i wyjąć korek wlewu oleju.



(2) Napełnić olejem do oznaczenia górnego limitu. (patrz Rys. 3)  
Do napełniania należy użyć butelki z olejem.



(3) Mocno dokręcić korek wlewu oleju. Zbyt słabe dokręcenie może spowodować wyciek oleju.

#### Uwaga

- Nie wymieniać oleju, kiedy silnik jest przechylony.
- Napełnianie oleju przy przechylonym silniku prowadzi do nadmiernego napełnienia, powodując zanieczyszczenie olejem i/lub powstanie białego dymu.

#### Punkt 2 – Wymiana oleju: „W razie rozlania oleju”

- Jeśli olej rozleje się pomiędzy zbiornikiem paliwa a korpusem silnika, zostanie zassany przez otwór wlotowy powietrza chłodzenia, co spowoduje zanieczyszczenie silnika. Przed uruchomieniem narzędzia należy wytrzeć rozlany olej.

## UZUPEŁNIANIE PALIWA

### Obchodzenie się z paliwem

Z paliwem należy obchodzić się z zachowaniem maksymalnej ostrożności. Paliwo może zawierać substancje podobne do rozpuszczalników. Uzupełnianie paliwa należy przeprowadzać wyłącznie w dobrze wietrzonych pomieszczeniach lub na świeżym powietrzu. Nigdy nie wdychać oparów paliwa i trzymać paliwo jak najdalej od siebie. Wielokrotny lub długotrwały kontakt skóry z paliwem powoduje jej wysuszenie i może doprowadzić do choroby skórnej lub alergii. W przypadku dostania się paliwa do oczu, należy je obficie przemyć czystą wodą. Jeśli oczy są nadal podrażnione, natychmiast zasięgnąć porady lekarskiej.

### Okres przechowywania paliwa

Paliwo należy zużyć w ciągu 4 tygodni, nawet jeśli jest przechowywane w specjalnym kanistrze, w dobrze wietrzonym i zacienionym miejscu. W przeciwnym razie jakość paliwa może ulec pogorszeniu w ciągu jednego dnia.

### PRZECHOWYWANIE NARZĘDZIA I KANISTRA NA PALIWO

- Narzędzie oraz kanister na paliwo należy przechowywać w chłodnym miejscu, z dala od bezpośredniego promieniowania słonecznego.
- Nigdy nie przechowywać paliwa w pojeździe.

### Paliwo

W urządzeniu zamontowany jest silnik czterosuwowy. Stosować wyłącznie bezołowiową benzynę samochodową o liczbie oktanowej 87 lub wyższej ((R+M)/2). Nie może zawierać więcej niż 10% alkoholu (E-10).

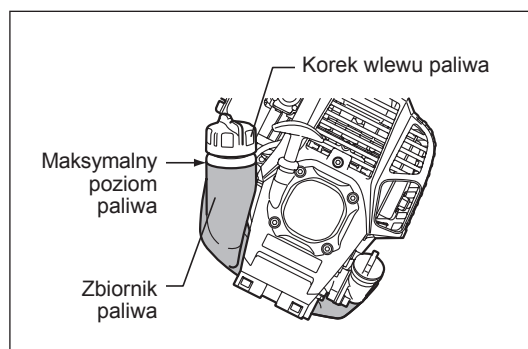
### Zalecenia dotyczące paliwa

- Nigdy nie używać mieszanki paliwa zawierającej olej silnikowy. W przeciwnym razie dojdzie do nadmiernego gromadzenia się węgla lub usterek mechanicznych.
- Stosowanie oleju złej jakości powoduje problemy z rozruchem silnika.

### Uzupełnianie paliwa

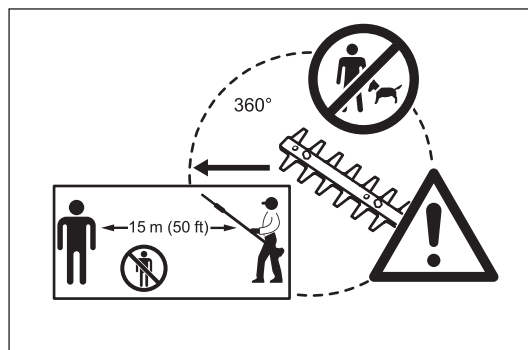
#### OSTRZEŻENIE: SUBSTANCJE ŁATWOPALNE SUROWO WZBRONIONE

- Odkręcić korek wlewu paliwa, aby zredukować ciśnienie w zbiorniku.
  - Zdjąć korek wlewu, napełnić zbiornik paliwem i lekko go przechylić w celu usunięcia powietrza tak, aby otwór wlewu był skierowany do góry. (NIE uzupełniać maksymalnie zbiornika paliwa).
  - Wytrzeć powierzchnię wokół korka wlewu, aby zapobiec przedostaniu się zanieczyszczeń do zbiornika paliwa.
  - Po napełnieniu mocno zakręcić korek wlewu paliwa.
- W razie zauważenia pęknięcia lub uszkodzenia korka wlewu, należy go wymienić.
  - Korek wlewu paliwa jest częścią ulegającą zużyciu. Należy go wymieniać co dwa-trzy lata.



## ŚRODKI OSTROŻNOŚCI PRZED URUCHOMIENIEM SILNIKA

- Przez cały czas należy zachowywać 15-metrową strefę bezpieczeństwa wokół miejsca pracy. Dopilnować, aby wszystkie osoby (a zwłaszcza dzieci) i/lub zwierzęta pozostawały poza tą strefą.
- Przed użyciem nożyc do żywopłotu z wysięgnikiem należy upewnić się, że narzędzie jest sprawne technicznie. Sprawdzić, czy ostrza tnące nie są uszkodzone oraz czy dźwignia przepustnicy działa bez oporu. Gdy silnik jest na biegu jałowym, ostrza tnące nie powinny się poruszać. Jeśli narzędzie nie działa prawidłowo, należy skontaktować się ze sprzedawcą w sprawie regulacji. Upewnić się, że uchwyty są czyste i suche oraz sprawdzić, czy przełącznik I-O działa prawidłowo. Silnik należy uruchamiać tylko zgodnie z niniejszą instrukcją obsługi. Nie wolno stosować jakichkolwiek innych metod uruchamiania nożyc do żywopłotu z wysięgnikiem.
- Silnik nożyc do żywopłotu z wysięgnikiem można uruchomić dopiero po przeczytaniu i pełnym zrozumieniu instrukcji. Nie usiłować uruchamiać nożyc do żywopłotu z wysięgnikiem, które nie zostały całkowicie złożone. W przeciwnym razie może dojść do poważnych obrażeń.
- Przed uruchomieniem silnika zawsze należy upewnić się, że ostrza tnące nie są zablokowane przez kamienie, gałęzie lub inne przedmioty.
- Sprawdzić, czy w miejscu pracy nie ma drutów, przewodów, szkła lub innych ciał obcych, które mogłyby zostać pochwycone przez ostrza tnące.
- Porażenie prądem: Uważać na wszystkie znajdujące się w pobliżu przewody elektryczne. Przed rozpoczęciem pracy należy sprawdzić cały obszar roboczy pod kątem obecności linii elektroenergetycznych i ogrodzeń elektrycznych.



## URUCHAMIANIE I WYŁĄCZANIE NARZĘDZIA

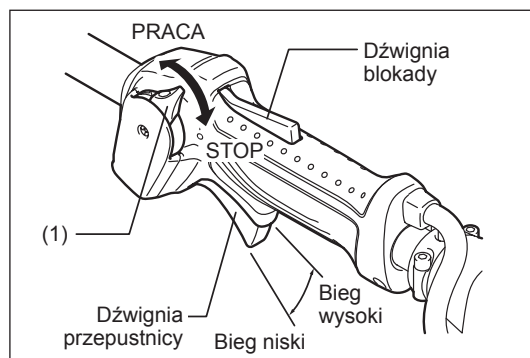
Przestrzegać stosownych przepisów dotyczących zapobiegania wypadkom!

### ROZRUCH

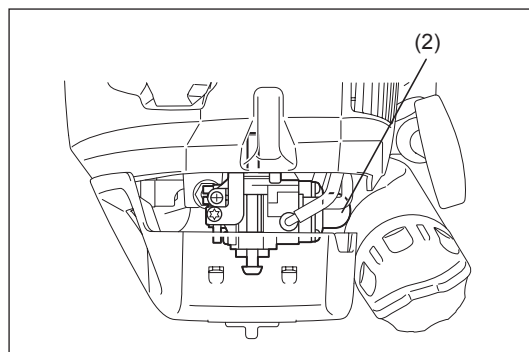
Odsunąć się z urządzeniem na odległość min. 3 m od miejsca tankowania. Umieścić nożyce do żywopłotu z wysięgnikiem na czystym podłożu, uważając, aby ostrza tnące nie dotykały podłoża ani żadnych innych przedmiotów.

#### A: Rozruch na zimno

- 1) Umieścić narzędzie na płaskiej powierzchni.
- 2) Ustawić przełącznik I-O (1) w położeniu PRACA.

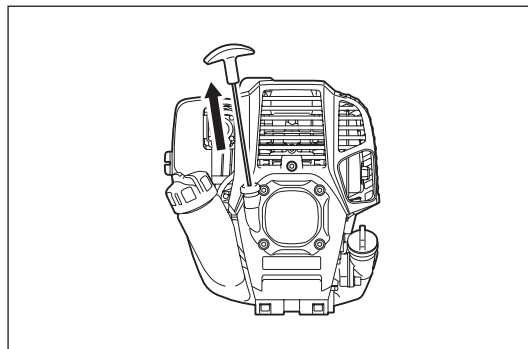


- 3) Pompka zastrzykowa  
Naciskać pompkę (2), dopóki paliwo nie dopłynie do pompki zastrzykowej. (Z reguły paliwo dopływa do pompki zastrzykowej po około 7-10 ruchach). W razie zbyt mocnego wciskania pompki zastrzykowej, nadmiar benzyny powraca do zbiornika paliwa.



- 4) Rozrusznik mechaniczny  
Ciągnąć delikatnie za uchwyt rozrusznika aż do napotkania oporu (punkt sprężenia). Następnie cofnąć uchwyt rozrusznika i mocno go pociągnąć. Nigdy nie ciągnąć linki do jej maksymalnego wysunięcia. Po pociągnięciu uchwytu rozrusznika nie należy zaraz go puszczać. Trzymać uchwyt, dopóki nie powróci do pierwotnego położenia.
- 5) Rozgrzewanie  
Kontynuować rozgrzewanie przez 2-3 minuty.

**UWAGA:** W przypadku zassania zbyt dużej ilości paliwa, należy wyjąć świecę zapłonową i pociągnąć powoli uchwyt rozrusznika, aby usunąć nadmiar paliwa. Należy także osuszyć elektrodę na świecy zapłonowej.



#### **B: Rozruch na ciepło**

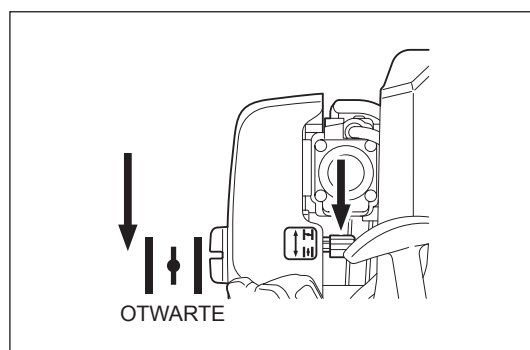
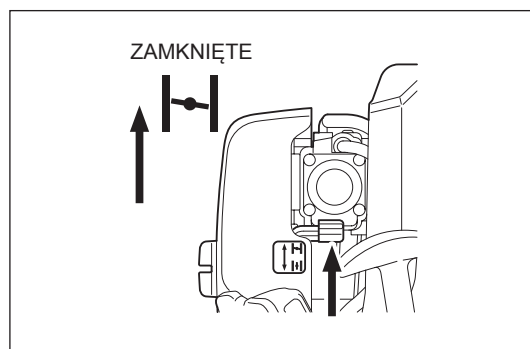
- 1) Powoli nacisnąć kilka razy pompkę zastrzykową.
- 2) Ustawić dźwignię przepustnicy w położeniu biegu jałowego.
- 3) Mocno pociągnąć za rozrusznik mechaniczny.
- 4) W razie trudności z rozruchem silnika otworzyć przepustnicę o około 1/3.  
Zwracać uwagę na ostrza tnące, które mogą zacząć się poruszać.

**Czasami, na przykład zimą, kiedy uruchomienie silnika sprawia trudności, należy posługiwać się dźwignią ssania w następujący sposób podczas uruchamiania silnika.**

- Po wykonaniu czynności rozruchowych od 1) do 3) należy ustawić dźwignię ssania w położeniu ZAMKNIĘTE.
- Wykonać 4) czynność rozruchową i uruchomić silnik.
- Po uruchomieniu ustawić dźwignię ssania w położeniu OTWARTE.
- Wykonać 5) czynność rozruchową i rozgrzać silnik.

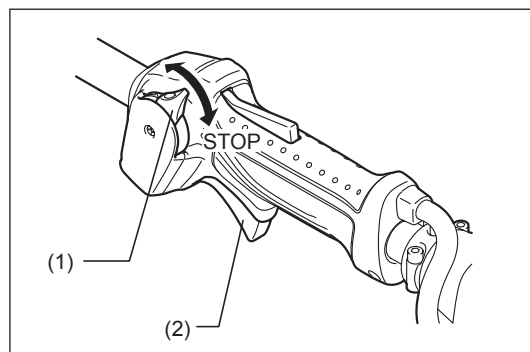
**UWAGA:** W razie usłyszenia wystrzału (eksplozji) i zatrzymania silnika, lub jeśli dopiero co uruchomiony silnik zatrzyma się, zanim zostanie użyta dźwignia ssania, należy ustawić ją ponownie w położeniu OTWARTE i pociągnąć kilkakrotnie za uchwyt rozrusznika, aby uruchomić silnik.

**UWAGA:** Jeśli dźwignia ssania pozostanie w położeniu ZAMKNIĘTE i tylko uchwyt rozrusznika zostanie kilkakrotnie pociągnięty, nastąpi zassanie zbyt dużej ilości paliwa i trudno będzie uruchomić silnik.



## WYŁĄCZANIE

- 1) Całkowicie zwolnić dźwignię przepustnicy (2), a po obniżeniu prędkości silnika ustawić przełącznik I-O (1) w położeniu STOP – silnik zatrzyma się.
- 2) Należy pamiętać, że głowica tnąca może się jeszcze przez chwilę obracać – odczekać, aż całkowicie się zatrzyma.

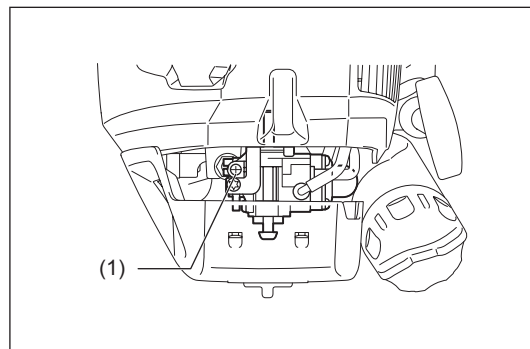


## REGULACJA OBROTÓW NA BIEGU NISKIM (BIEG JAŁOWY)

W razie potrzeby należy wyregulować obroty na biegu niskim (bieg jałowy) za pomocą śruby nastawczej gaźnika (1).

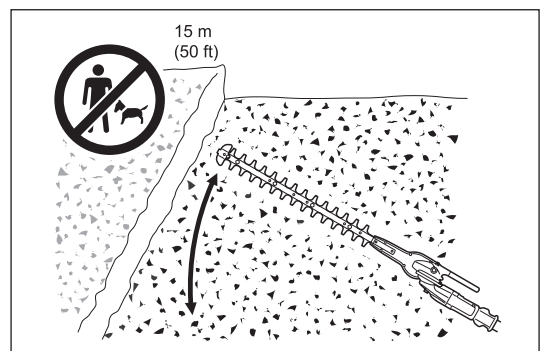
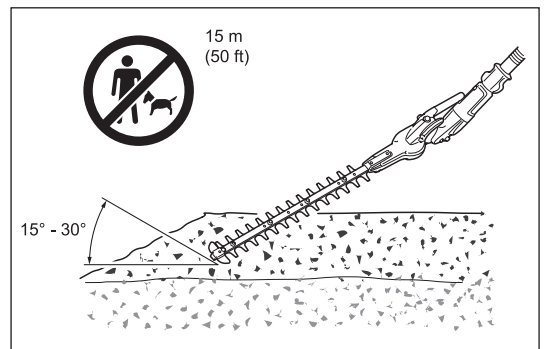
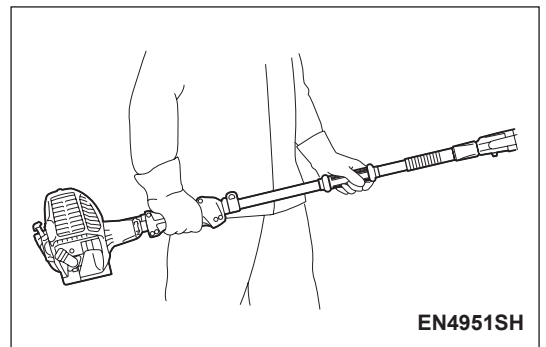
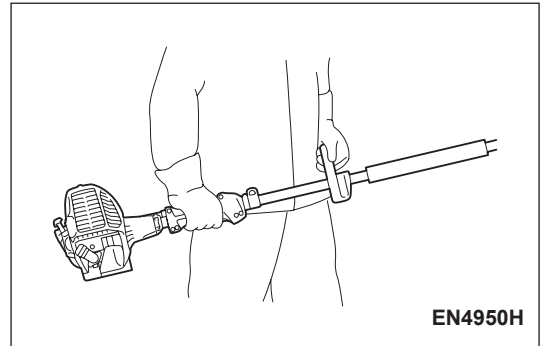
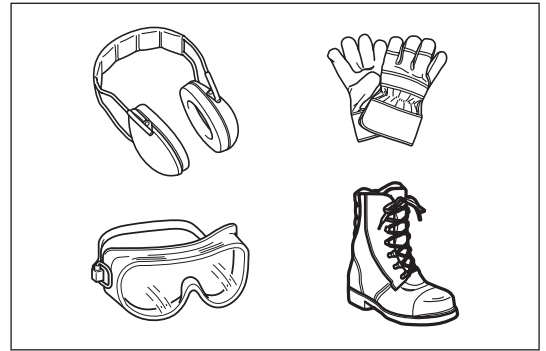
## KONTROLA OBROTÓW BIEGU NISKIEGO

- Ustawić obroty biegu niskiego na 3 000 obr./min.  
W razie konieczności zmiany prędkości obrotowej należy wyregulować śrubę nastawczą (1) śrubokrętem krzyżakowym.
- Obrócenie śruby nastawczej w prawo spowoduje zwiększenie prędkości silnika. Obrócenie śruby nastawczej w lewo spowoduje zmniejszenie prędkości silnika.
- Z reguły gaźnik regulowany jest przed wysyłką. W razie konieczności jego ponownej regulacji należy skontaktować się z autoryzowanym centrum serwisowym.



## UŻYTKOWANIE NOŻYC DO ŻYWOPŁOTU Z WYSIĘGNIKIEM

- Nie dotykać ostrzy tnących nożyc do żywopłotu z wysięgnikiem podczas pracy lub z uruchomionym silnikiem.
- Zachować szczególną ostrożność, aby nie wdychać spalin podczas używania nożyc do żywopłotu z wysięgnikiem. Nigdy nie używać nożyc do żywopłotu z wysięgnikiem w zamkniętym pomieszczeniu lub miejscu o niedostatecznej wentylacji (ryzyko uduszenia lub zatrucia gazem). Należy pamiętać, że tlenek węgla jest gazem bezwonny i nie można go wykryć za pomocą wężu.
- Zawsze przed rozpoczęciem pracy z nożycami do żywopłotu z wysięgnikiem należy założyć odpowiednią odzież ochronną.
- Jeśli tłumik nie działa prawidłowo, należy natychmiast wyłączyć silnik.
- Używać nożyc do żywopłotu z wysięgnikiem tylko przy dobrym oświetleniu i widoczności.
- Nie używać nożyc do żywopłotu z wysięgnikiem w ciemności lub podczas mgły. Zimą należy zachować ostrożność na śliskich i mokrych nawierzchniach (lód i śnieg – ryzyko poślizgnięcia) i zawsze mieć pewne oparcie.
- Nie używać nożyc do żywopłotu z wysięgnikiem, stojąc na niestabilnym podłożu bądź stromym zboczu.
- Nie używać nożyc do żywopłotu z wysięgnikiem, stojąc na drabinie.
- Nie wspinać się na drzewa w celu użycia nożyc do żywopłotu z wysięgnikiem z drzewa.
- Należy ciągle sprawdzać, czy w miejscu pracy nie ma drutów, przewodów, szkla lub innych ciał obcych, które mogłyby zostać pochwycone przez ostrza tnące.
- Przed rozpoczęciem cięcia ostrza tnące powinny szybko się poruszać.
- Nożyce do żywopłotu z wysięgnikiem zawsze należy mocno trzymać obiema rękami podczas pracy.
- Aby uzyskać optymalne panowanie nad nożycami do żywopłotu z wysięgnikiem, zawsze należy całkowicie objąć uchwyty dłońmi (trzymając je mocno kciukami) i mocno je trzymać.
- Pamiętać, że ostrza tnące pozostają w ruchu jeszcze przez dwie sekundy po zwolnieniu dźwigni przepustnicy.
- Nie należy ciąć nożycami do żywopłotu z wysięgnikiem przy niskich obrotach silnika.
- Podczas pracy silnika na niskich obrotach, nie można odpowiednio regulować prędkości ostrzy tnących za pomocą dźwigni przepustnicy.
- Aby przyciąć górną część żywopłotu, najpierw należy ustawić ostrza tnące pod kątem  $15^\circ - 30^\circ$  w kierunku cięcia i trzymać nożyce do żywopłotu z wysięgnikiem poziomo. Następnie można zacząć przycinać żywopłot ruchem półkolistym, kreśląc drążkiem nożyc do żywopłotu półokręgi.
- Aby przyciąć boki żywopłotu, należy ustawić ostrza równoległe do ciętej płaszczyzny i rozpocząć cięcie, wykonując ruchy półkoliste w górę i w dół.
- Należy zachować szczególną uwagę podczas przycinania żywopłotów rosnących wzdłuż siatki ogrodzeniowej, które wrosły w ogrodzenie.
- Ostrza tnące nie mogą dotknąć twardych przedmiotów, jak siatka ogrodzeniowa, kamienie czy podłoże. W przeciwnym razie mogą pęknąć, ukruszyć się lub złamać.
- Nie należy używać nożyc do żywopłotu z wysięgnikiem przez zbyt długi okres czasu. Generalnie co 50 minut pracy należy zrobić sobie 10-20 minut przerwy.
- W razie kontaktu ostrzy tnących z kamieniami lub innymi przedmiotami, należy niezwłocznie wyłączyć silnik i sprawdzić ostrza pod kątem uszkodzenia. Jeśli ostrza są uszkodzone, należy je wymienić.
- Jeśli w trakcie użytkowania nożyc do żywopłotu z wysięgnikiem wystąpi problem (nietypowe hałasy, drgania itp.), należy natychmiast wyłączyć silnik. Nie używać narzędzia przed rozpoznaniem i usunięciem przyczyny problemu.
- Zawsze należy dokładać wszelkich starań, aby maksymalnie ograniczyć hałas i zanieczyszczenie podczas używania nożyc do żywopłotu z wysięgnikiem. Zwracać szczególną uwagę na prawidłowe ustawienie gaźnika.
- W przypadku zakleszczenia grubych gałęzi pomiędzy ostrzami należy niezwłocznie wyłączyć silnik, położyć narzędzie na podłożu i następnie usunąć przeszkodę. Przed ponownym użyciem narzędzia należy sprawdzić ostrza pod kątem uszkodzenia.





## Regulacja kąta cięcia

### Ostrzeżenie:

- Nie używać narzędzia z obluzowanym lub niestabilnym nożem.

Istnieje możliwość regulacji kąta cięcia w górę do 45° i w dół do 90°.

1. Wylączyć silnik nożyc do żywopłotu z wysięgnikiem i położyć je na podłożu.
2. Aby ustawić kąt noża, należy jedną ręką chwycić za uchwyt (**A**) na nożu, a drugą przytrzymać blokadę kąta (**B**), jak pokazano na rysunku.
3. Powoli pociągnąć za blokadę kąta i zmienić kąt noża. Po ustawieniu kąta należy powoli wycofać blokadę kąta.

### Uwaga:

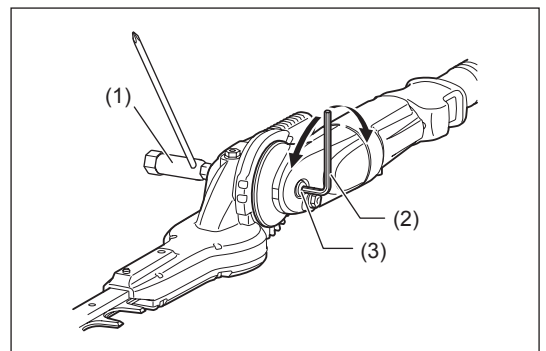
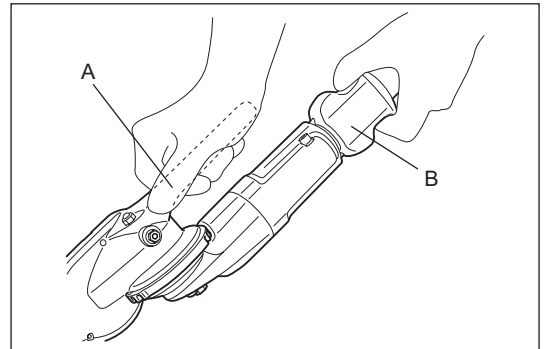
- Nóż mocuje się tylko pod określonymi kątami wzdłuż rowka. Upewnij się, że nóż został osadzony prawidłowo. Jeśli kąt będzie nieprawidłowy, sprzęgło zostanie odcięte i narzędzie nie będzie działać.
- Nie regulować noża, kiedy nożyce do żywopłotu z wysięgnikiem znajdują się w pozycji pionowej.
- Przesunąć przełącznik I-O w położenie „O” i położyć nożyce do żywopłotu z wysięgnikiem płasko na podłożu, aby ustawić kąt cięcia.
- Przed ustawianiem kąta cięcia zawsze należy zabezpieczyć ostrza dostarczoną osłoną noża.

W razie obluzowania się noża należy dokręcić śrubę (oś regulacji kąta).

1. Chwycić śrubę (3) kluczem nasadowym (1) i kluczem imbusowym (2).
2. Wyregulować dokręcenie noża, obracając klucz imbusowy, po czym dokręcić śrubę kluczem nasadowym.

### Uwaga:

- Nie dokręcać noża zbyt mocno. W przeciwnym razie nie będzie można zmienić kąta noża.



## KONSERWACJA

- Przed wykonaniem jakichkolwiek prac konserwacyjnych przy nożycach do żywopłotu z wysięgnikiem (czyszczenie ostrzy itp.), zawsze należy wyłączyć silnik i zaczekać, aż ostygnie. Jako dodatkowy środek ostrożności, należy także zdjąć nasadkę świecy zapłonowej.
- Nie prostować ani nie spawać wygiętych lub pękniętych ostrzy tnących. Uszkodzone ostrza zawsze należy wymieniać.
- Należy regularnie wyłączać silnik w celu sprawdzenia ostrzy tnących pod kątem potencjalnych uszkodzeń (wykrywanie trudnych do zauważenia pęknięć włosowatych na podstawie odgłosów podczas stukania w narzędzie). Dbać, aby zęby ostrzy zawsze były ostre.
- Nożyce do żywopłotu z wysięgnikiem należy regularnie czyścić. Podczas czyszczenia należy także sprawdzać, czy wszystkie śruby i nakrętki są prawidłowo dokręcone.
- Aby ograniczyć ryzyko pożaru, nie należy serwisować ani przechowywać nożyc do żywopłotu z wysięgnikiem w pobliżu otwartego ognia.
- Podczas pracy przy ostrzach tnących zawsze nosić mocne rękawice ochronne.
- W celu wymiany ostrzy tnących należy skontaktować się ze sprzedawcą.
- Nie stosować benzyny, rozpuszczalników, alkoholu itp. środków do czyszczenia. Substancje takie mogą spowodować odbarwienia, odkształcenia lub pęknięcia.

### Ostrzenie noża

W przypadku stępienia się ostrzy tnących lub spadku wydajności cięcia, należy zwrócić się do autoryzowanego serwisu w celu naostrzenia ostrzy.

### Regulacja odstępu między ostrzami

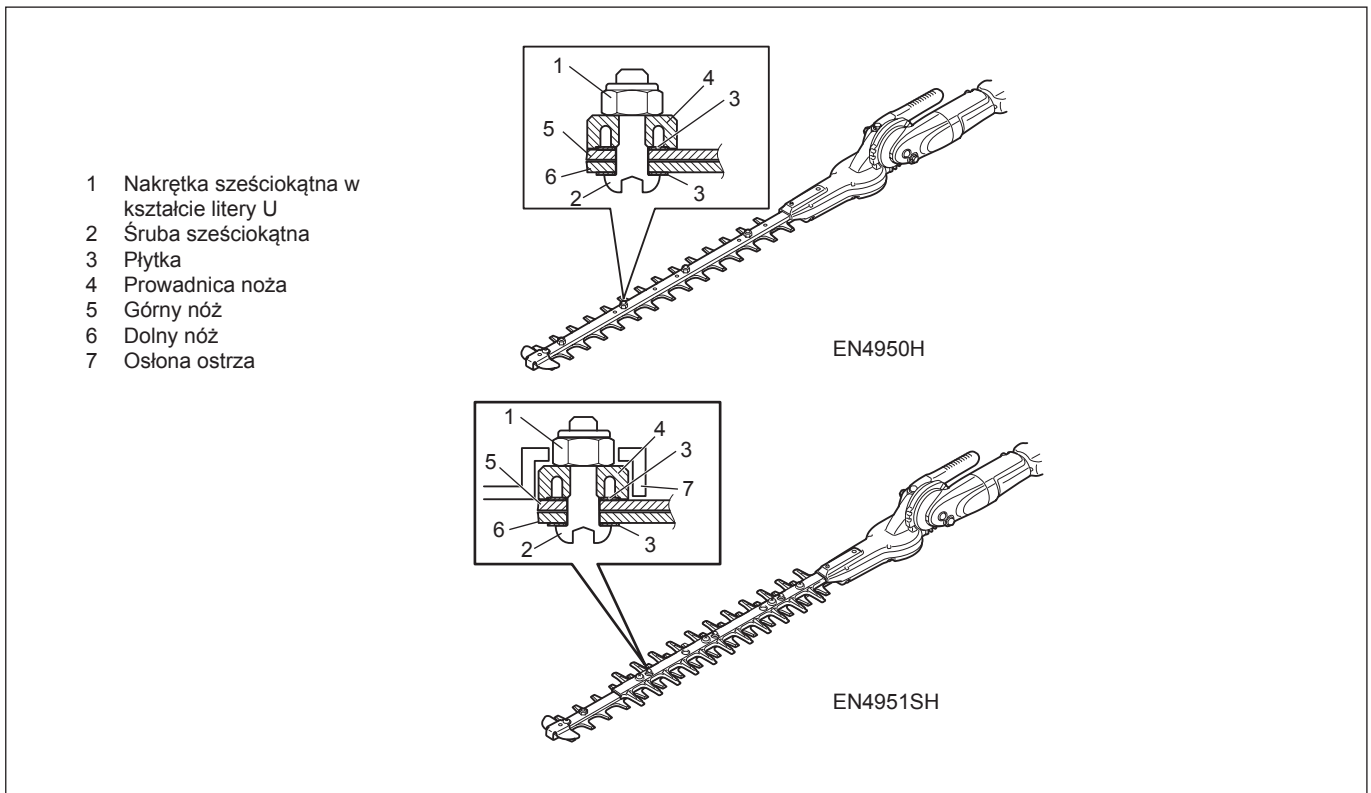
Górne i dolne ostrza ulegają stopniowemu zużyciu podczas pracy. Jeśli cięcie nie jest już tak dobre, jak w przypadku nowych ostrzy, należy wyregulować odstęp między ostrzami w następujący sposób.

O odstępie między ostrzami decyduje dokręcenie śruby sześciokątnej. Nakrętka mocuje śrubę sześciokątną z określoną siłą. Zbyt duży odstęp spowoduje stępienie ostrzy, a zbyt mały odstęp spowoduje niepotrzebne nagrzewanie się i szybsze zużycie ostrzy.

1. Odkręcić nakrętkę (1) za pomocą klucza oczkowego lub klucza płaskiego.
2. Za pomocą klucza imbusowego lekko dokręcić śrubę sześciokątną (2) do oporu. Następnie odkręcić o jedną czwartą lub pół obrotu, aby uzyskać wymagany odstęp.
3. Dokręcić nakrętkę (1), przytrzymując śrubę sześciokątną (2).
4. Na trące powierzchnie ostrzy nałożyć cienką warstwę oleju.
5. Uruchomić silnik i przez minutę na przemian otwierać i zamykać przepustnicę.
6. Wyłączyć silnik i dotknąć powierzchni. Jeśli powierzchnie ostrzy nie są zbyt gorące, regulację wykonano prawidłowo. Jeśli powierzchnie ostrzy są zbyt gorące, należy poluzować śrubę sześciokątną (2) i powtórzyć kroki od 5 do 6.

**UWAGA:** Przed dokonaniem regulacji należy wyłączyć silnik i poczekać na zatrzymanie się ostrzy.

Na ostrzach wokół śruby sześciokątnej (2) znajdują się nacięcia. Jeśli nagromadzi się w nich pył, należy go usunąć.



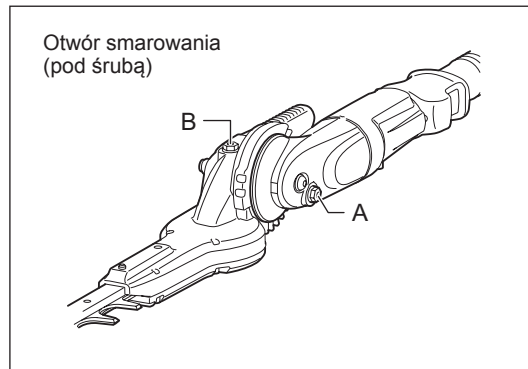
## Smarowanie

**Ważne: Przed smarowaniem należy upewnić się, że powierzchnia przekładni całkowicie ostygła.**

- Przekładnię nożyc do żywoplotu z wysięgnikiem należy smarować co 25 godzin pracy. Otwór smarowania znajduje się pod śrubą. W celu smarowania należy wykręcić śrubę. Umieścić ok. 3 g (4 cm<sup>3</sup>) smaru w punkcie A przekładni oraz 5 g (7 cm<sup>3</sup>) smaru w punkcie B odpowiednio przez otwory smarowania. Po smarowaniu należy wkręcić śrubę. Po uzupełnieniu odpowiedniej ilości smaru, niewielka jego ilość wycieknie na powierzchnię ostrza podczas pierwszego uruchomienia.

**UWAGA:** Należy przestrzegać częstotliwości smarowania i ilości dostarczanego smaru.

Jeśli smar nie będzie uzupełniany z zalecaną częstotliwością lub jeśli zostanie dodana niewystarczająca ilość smaru, części mechaniczne nożyc do żywoplotu z wysięgnikiem mogą ulec uszkodzeniu.



## Codzienna kontrola i konserwacja

Aby zapewnić długi okres eksploatacji nożyc do żywoplotu z wysięgnikiem, każdego dnia należy przeprowadzać następujące kontrole i konserwację.

- Przed użyciem;
  - Przed rozpoczęciem pracy zawsze należy sprawdzić narzędzie pod kątem obluźnianych lub brakujących części. Należy zwrócić szczególną uwagę na nóż i upewnić się, że śruby ustalające ostrzy tnących są dobrze dokręcone.
  - Przed rozpoczęciem pracy należy sprawdzić kanały powietrza chłodzącego pod kątem zatkania oraz stan żeberek cylindra. W razie potrzeby wyczyścić.
- Po użyciu;
  - Wyczyścić nożyce do żywoplotu z wysięgnikiem z zewnątrz i sprawdzić pod kątem uszkodzeń.
  - Oczyszczyć filtr powietrza. W warunkach dużego zapylenia filtr należy czyścić kilka razy dziennie.
  - Sprawdzić ostrza tnące pod kątem uszkodzeń. Upewnić się, że ostrza są bezpiecznie zamocowane.
  - Jeśli po przeprowadzeniu regulacji ostrza tnące nadal pracują na biegu jałowym, skonsultować się z najbliższym autoryzowanym serwisem.

## WYMIANA OLEJU SILNIKOWEGO

Przerobiony olej silnikowy znacznie skraca żywotność elementów ślizgowych i obrotowych. Należy przestrzegać harmonogramu kontroli i wymiany oleju.



**NIEBEZPIECZEŃSTWO:** Zasadniczo silnik i olej silnikowy pozostają gorące jeszcze przez jakiś czas po wyłączeniu silnika. Przed przystąpieniem do wymiany oleju należy upewnić się, że silnik i olej silnikowy wystarczająco ostygły. W przeciwnym razie istnieje ryzyko poparzenia. Po wyłączeniu silnika należy odczekać odpowiednią ilość czasu, aby olej silnikowy spłynął do zbiornika. Umożliwi to prawidłowy odczyt wskaźnika poziomu oleju.

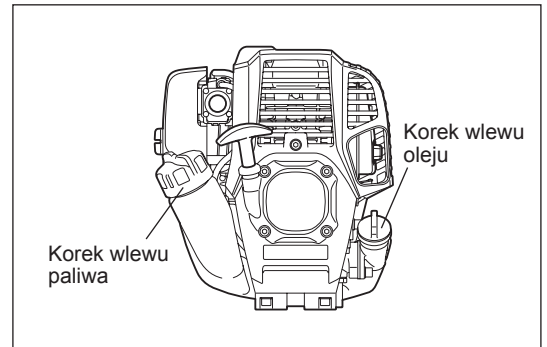
**UWAGA:** W przypadku wiania nadmiernej ilości oleju może dojść do jego zabrudzenia lub zapalenia, przy którym pojawi się biały dym.

**Częstotliwość wymiany:** Po pierwszych 20 godzinach pracy, a następnie po każdych 50 godzinach pracy.

**Zalecany olej:** SAE 10W-30, klasyfikacja API, klasa SF lub wyższa (olej do 4-suwowych silników samochodowych)

Podczas wymiany wykonać następującą procedurę.

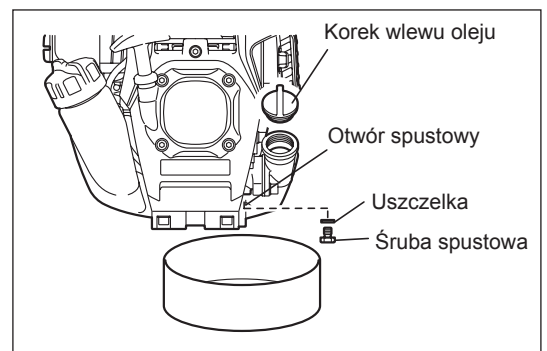
- 1) Upewnić się, że korek wlewu paliwa jest mocno dokręcony.
- 2) Podstawić duży pojemnik (np. miskę) pod otwór spustowy.



- 3) Odkręcić śrubę spustową, a następnie zdjąć korek wlewu oleju w celu spuszczenia oleju przez otwór spustowy. Zachować ostrożność, aby nie zgubić uszczelki śruby spustowej ani nie zabrudzić żadnych wyjętych podzespołów.

- 4) Po spuszczeniu całego oleju założyć uszczelkę na śrubę spustową i mocno dokręcić śrubę, aby nie mogła się poluzować i spowodować wycieku.

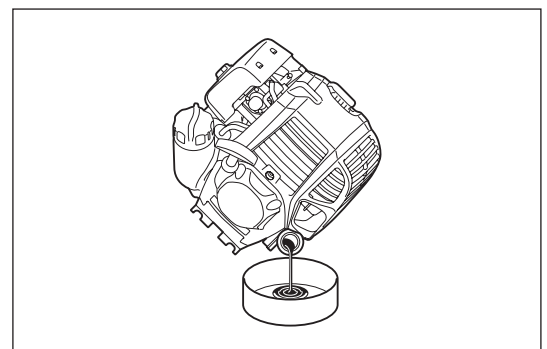
\* Używając szmaty, dokładnie wytrzeć olej ze śruby i narzędzia.



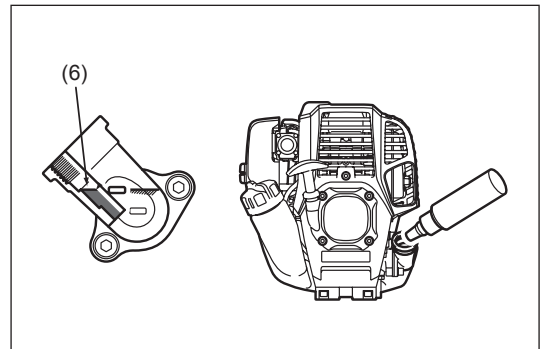
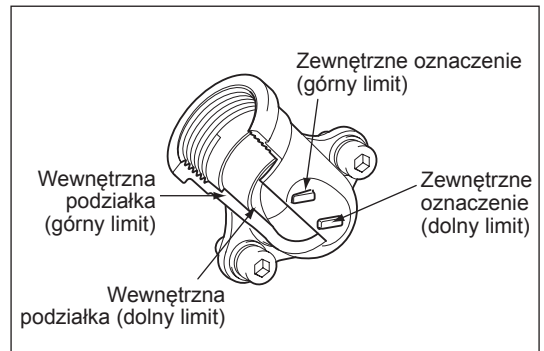
### Alternatywna metoda spuszczenia oleju

Zdjąć korek wlewu oleju, przechylić nożyce do żywoplotu z wysięgnikiem w stronę otworu wlewu oleju i wylać olej.

Zebrać olej do pojemnika.



- 5) Ustawić silnik poziomo i stopniowo napełniać nowym olejem do oznaczenia górnego limitu (6).
- 6) Po zakończeniu napełniania, dokręcić mocno korek wlewu oleju, aby nie dopuścić do jego poluzowania i wycieku. Jeśli korek wlewu oleju nie zostanie mocno dokręcony, może przeciekać.



#### WSKAZUJE NA OLEJ

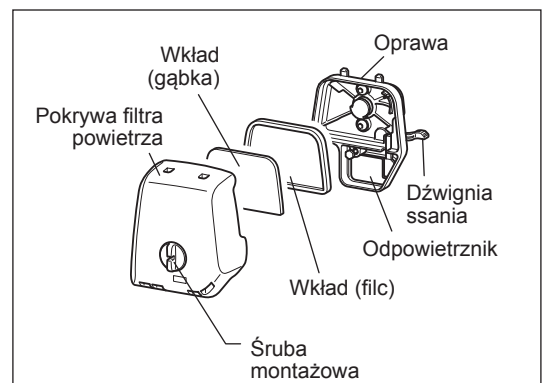
- Nigdy nie wylewać zużytego oleju do ścieków, gleby lub pojemnika na odpady. Utylizacja oleju jest uregulowana odpowiednimi przepisami prawnymi. Olej należy zawsze utylizować zgodnie z takimi przepisami. W razie pytań lub wątpliwości należy kontaktować się z autoryzowanym serwisem.
- Jakość oleju ulega pogorszeniu, nawet jeśli nie jest on używany. Regularnie przeprowadzać kontrolę i wymiany (wymieniać olej na nowy co 6 miesięcy).

## Czyszczenie filtra powietrza

### NIEBEZPIECZEŃSTWO: Substancje łatwopalne surowo wzbronione

Filtr powietrza należy sprawdzać i czyścić codziennie lub po każdych 10 godzinach pracy.

- Obrócić dźwignię ssania w położenie całkowicie zamknięte i zabezpieczyć gaźnik przed kurzem i zabrudzeniami.
- Odkręcić śrubę montażową.
- Zdemontować pokrywę filtra powietrza, pociągając za jego dolną część.
- Wyjąć wkłady i postukać nimi w celu usunięcia zabrudzenia.
- Jeśli wkłady są mocno zanieczyszczone:  
Wyjąć wkłady, zanurzyć je w ciepłej wodzie lub roztworze neutralnego detergentu i całkowicie wysuszyć. Nie wyciskać ani nie pocierać nimi podczas mycia.
- Przed włożeniem wkładów upewnić się, że są całkowicie suche. Niedostateczne wysuszenie wkładów może utrudniać rozruch.
- Wytrzeć szmatą olej znajdujący się na pokrywie filtra powietrza oraz odpowietrzniku.
- Dopasować wkład (gąbkę) do wkładu (filcu).  
Umieścić wkłady w oprawie w taki sposób, aby gąbka była zwrócona w kierunku pokrywy filtra powietrza.
- Niezwłocznie zamontować pokrywę filtra, mocując ją za pomocą śrub montażowych. (Przy ponownym montażu najpierw umieścić górny, a następnie dolny zaczepek).



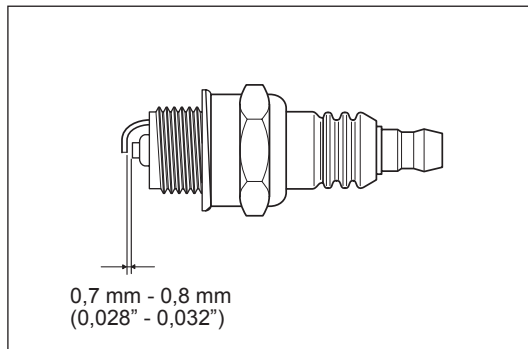
### PRZESTROGA:

- W razie nadmiernego zapylenia, wkłady należy czyścić kilka razy dziennie. Zanieczyszczone wkłady przyczyniają się do spadku mocy silnika i utrudniają rozruch.
- Usunąć olej z wkładów. Kontynuacja pracy z wkładami zabrudzonymi olejem może spowodować wydostanie się oleju z filtra powietrza na zewnątrz i zanieczyszczenie środowiska.
- Nie kłaść wkładów na ziemi ani w innym brudnym miejscu. W przeciwnym razie wkłady mogą zostać zabrudzone i doprowadzić do uszkodzenia silnika.
- Nigdy nie czyścić wkładów za pomocą paliwa. Paliwo może spowodować ich uszkodzenie.

## KONTROLA ŚWIECY ZAPŁONOWEJ

- Do montażu i demontażu świecy zapłonowej należy używać tylko dostarczonego klucza uniwersalnego.
- Przerwa między dwiema elektrodami świecy zapłonowej powinna wynosić 0,7-0,8 mm (0,028" - 0,032"). Jeśli przerwa jest zbyt duża lub zbyt mała, należy ją wyregulować. Jeśli świeca zapłonowa jest zatkana lub zanieczyszczona, należy ją dokładnie wyczyścić lub wymienić.

UWAGA: Nigdy nie dotykać złącza świecy zapłonowej przy uruchomionym silniku (wysokie napięcie, ryzyko porażenia prądem).



## Czyszczenie filtra paliwa (głowica ssąca w zbiorniku paliwa)

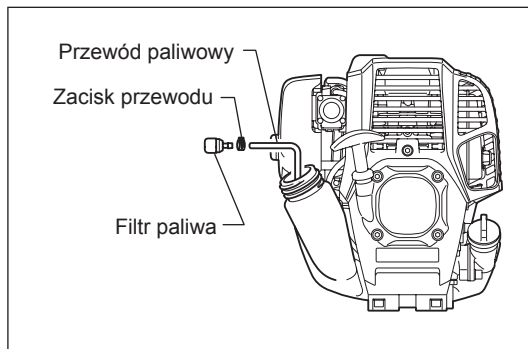
### OSTRZEŻENIE: SUBSTANCJE ŁATWOPALNE SUROWO WZBRONIONE

Filtr paliwa należy sprawdzać i czyścić co miesiąc lub po każdych 50 godzinach pracy.

Sprawdzać okresowo filtr paliwa. W celu sprawdzenia filtra paliwa należy postępować zgodnie z poniższym opisem.

- (1) Zdjąć korek wlewu paliwa i opróżnić całkowicie zbiornik paliwa. Sprawdzić wnętrze zbiornika pod kątem obecności ciał obcych. Wszelkie zanieczyszczenia należy usunąć.
- (2) Wyjąć głowicę ssącą za pomocą drucianego haka przez otwór zbiornika.
- (3) Jeśli filtr paliwa jest nieznacznie zanieczyszczony, należy go wyczyścić. W tym celu należy nim delikatnie potrząsnąć i postukać po zanurzeniu w paliwie. W celu uniknięcia uszkodzenia nie wolno go wyciskać ani nim pocierać. Paliwo używane do czyszczenia musi zostać zutylicowane w sposób zgodny z obowiązującymi przepisami w danym kraju. W przypadku stwardnienia lub zatkania filtra paliwa, należy go wymienić.
- (4) Po zakończeniu kontroli, czyszczenia lub wymiany należy wsunąć filtr paliwa do oporu na dno zbiornika paliwa.

Zapchany lub uszkodzony filtr paliwa może spowodować niewystarczający dopływ paliwa oraz spadek mocy silnika. Filtr paliwa należy wymieniać co najmniej raz na kwartał, aby zapewnić dostateczny dopływ paliwa do gaźnika.



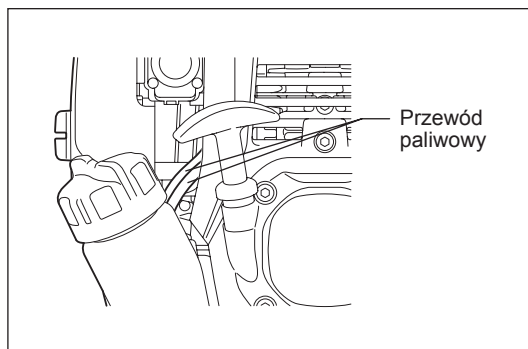
## Wymiana przewodu paliwowego

### UWAGA: Substancje łatwopalne surowo wzbronione

Przewód paliwowy należy sprawdzać i czyścić codziennie lub po każdych 10 godzinach pracy.

Przewód paliwowy należy wymieniać co 200 godzin pracy lub raz w roku, niezależnie od częstotliwości użytkowania narzędzia. Wyciek paliwa może spowodować pożar.

W razie wykrycia wycieku podczas kontroli natychmiast wymienić przewód paliwowy.



## KONTROLA ŚRUB I NAKRĘTEK

- Dokręcić poluzowane śruby, nakrętki itp.
- Sprawdzić, czy nie dochodzi do wycieków paliwa i oleju.
- Ze względów bezpieczeństwa wymienić uszkodzone części na nowe.

## CZYSZCZENIE CZĘŚCI

- Silnik należy utrzymywać w czystości, przecierając go szmatką.
- Żeberka cylindra powinny być zawsze wolne od kurzu i brudu. Kurz lub zabrudzenia na żeberkach mogą spowodować zatarcie tłoka.

## WYMIANA USZCZELEK I PODKŁADEK

W przypadku demontażu silnika należy wymienić uszczelki i podkładki.

Wszelkie prace konserwacyjne i regulacyjne niewymienione w niniejszej instrukcji obsługi mogą być wykonywane wyłącznie przez autoryzowany serwis firmy MAKITA.

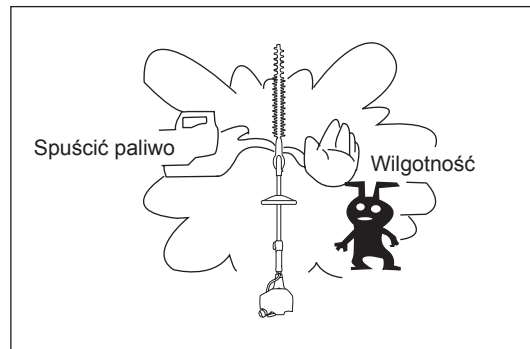
## PRZECHOWYWANIE

**OSTRZEŻENIE:** Przed spuszczeniem paliwa należy wyłączyć silnik i zaczekać, aż ostygnie.

W przeciwnym razie można się poparzyć lub spowodować pożar.

**UWAGA:** Przed przechowaniem narzędzia przez dłuższy czas, należy spuścić całe paliwo ze zbiornika i gaźnika, po czym przechować narzędzie w suchym i czystym miejscu.

- Spuścić paliwo ze zbiornika i gaźnika zgodnie z poniższą procedurą:
  - 1) Zdjąć korek wlewu paliwa i całkowicie spuścić paliwo.  
Jeśli w zbiorniku paliwa znajduje się jakikolwiek osad, należy go usunąć.
  - 2) Wyciągnąć filtr paliwa z otworu wlewu za pomocą drutu.
  - 3) Naciskać kilkakrotnie pompkę zastrzykową, aby całkowicie usunąć z niej paliwo, a następnie spuścić pozostałe paliwo znajdujące się w zbiorniku.
  - 4) Założyć ponownie filtr na zbiornik paliwa i dokręcić mocno korek.
  - 5) Następnie uruchomić silnik i poczekać, aż sam się zatrzyma.
- Wyjąć świecę zapłonową i wpuścić kilka kropel oleju silnikowego w jej otwór.
- Delikatnie pociągnąć za uchwyt rozrusznika, aby olej został rozprowadzony po silniku, po czym wkręcić świecę zapłonową.
- Założyć osłonę na ostrza tnące.
- Generalnie urządzenie należy przechowywać w pozycji poziomej. Jeżeli nie jest to możliwe, należy ustawić urządzenie w taki sposób, aby silnik znajdował się poniżej narzędzia tnącego. W przeciwnym wypadku może dojść do wycieku oleju silnikowego z wnętrza urządzenia.
- Należy zawsze przechowywać urządzenie w bezpiecznym miejscu w celu niedopuszczenia do jego uszkodzenia lub spowodowania obrażeń ciała.
- Przechowywać spuszczone paliwo w specjalnym kanistrze, w dobrze wietrzanym i oświetlonym miejscu.



**Po długim okresie przechowywania**

- Przed uruchomieniem narzędzia po długiej przerwie należy koniecznie wymienić olej (patrz str. 68). Podczas przestoju jakość oleju ulega pogorszeniu.

<b>Czas pracy</b> <b>Element</b>		<b>Przed uruchomieniem narzędzia</b>	<b>Codziennie (10 godz.)</b>	<b>25 godz.</b>	<b>50 godz.</b>	<b>200 godz.</b>	<b>Wyłączenie/ przerwa w pracy</b>	<b>Patrz strona</b>
Olej silnikowy	Sprawdzić	○						59
	Wymienić				○*1			68
Części wymagające dokręcenia (śruba, nakrętka)	Sprawdzić	○						70
Zbiornik paliwa	Wyczyścić/ sprawdzić	○						-
	Spuścić paliwo						○*3	71
Dźwignia przepustnicy	Sprawdzić działanie	○						61
Wyłącznik	Sprawdzić działanie	○						61, 63
Ostrza tnące	Sprawdzić	○	○					61, 66
Niskie obroty	Sprawdzić/ wyregulować		○					63
Filtr powietrza	Wyczyścić		○					69
Świeca zapłonowa	Sprawdzić		○					70
Kanał powietrza chłodzącego	Wyczyścić/ sprawdzić		○					70
Przewód paliwowy	Sprawdzić		○					70
	Wymienić					⊙*2		-
Smar w przekładni	Napełnić			○				67
Filtr paliwa	Wyczyścić/ wymienić				○			70
Odstęp między zaworem wlotowym i wylotowym powietrza	Wyregulować					⊙*2		-
Przegląd silnika						⊙*2		-
Gaźnik	Spuścić paliwo						○*3	71

\*1 Pierwsza wymiana powinna nastąpić po 20 godzinach pracy.

\*2 Po 200 godzinach pracy zlecić kontrolę autoryzowanemu serwisowi lub warsztatowi.

\*3 Po opróżnieniu zbiornika paliwa uruchomić silnik i spuścić paliwo z gaźnika.



## WYKRYWANIE I USUWANIE USTEREK

Przed zleceniem naprawy serwisowi należy samodzielnie sprawdzić narzędzie. W razie wykrycia usterki sprawdzić narzędzie zgodnie z opisem w niniejszej instrukcji obsługi. Nigdy nie przerabiać ani nie demontować żadnej części w sposób niezgodny z opisem. W celu naprawy skontaktować się z autoryzowanym serwisem lub punktem sprzedaży.

Nieprawidłowy stan	Prawdopodobna przyczyna (usterka)	Rozwiązanie
Silnik nie uruchamia się	Nie można uruchomić pompki zastrzykowej	Nacisnąć 7-10 razy
	Zbyt wolne pociąganie linki rozrusznika	Pociągać mocniej
	Brak paliwa	Uzupełnić paliwo
	Zapchany filtr paliwa	Wyczyścić
	Zgięty przewód paliwowy	Wyprostować przewód paliwowy
	Gorsza jakość paliwa	Gorsza jakość paliwa utrudnia rozruch. Wymienić paliwo na nowe. (Zalecana wymiana: 1 miesiąc)
	Nadmierne zasysanie paliwa	Ustawić dźwignię przepustnicy ze średniej prędkości na wysoką i pociągać uchwyt rozrusznika, dopóki silnik nie włączy się. <b>Po uruchomieniu silnika ostrza tnące zaczynają się poruszać. Uważać na ostrza tnące.</b> Jeśli silnik nie uruchomi się, wyjąć świecę zapłonową, osuszyć elektrodę i ponownie zamontować. Następnie uruchomić silnik zgodnie z zaleceniami.
	Odkręcony korek wlewu	Prawidłowo zamocować
	Zanieczyszczona świeca zapłonowa	Wyczyścić
	Nieprawidłowa przerwa świecy zapłonowej	Wyregulować przerwę
	Inna usterka świecy zapłonowej	Wymienić
	Usterka gaźnika	Zlecić serwisowi kontrolę i konserwację
	Nie można pociągnąć linki rozrusznika	Zlecić serwisowi kontrolę i konserwację
	Usterka układu napędowego	Zlecić serwisowi kontrolę i konserwację
Silnik gaśnie Prędkość silnika nie wzrasta	Niewystarczające rozgrzanie silnika	Rozgrzać silnik
	Dźwignia ssania jest ustawiona w położeniu „H”, mimo że silnik jest rozgrzany.	Ustawić w położeniu „II”
	Zapchany filtr paliwa	Oczyścić lub wymienić
	Zanieczyszczony lub zatkany filtr powietrza	Wyczyścić
	Usterka gaźnika	Zlecić serwisowi kontrolę i konserwację
	Usterka układu napędowego	Zlecić serwisowi kontrolę i konserwację
Ostrza tnące nie poruszają się ↓ Natychmiast wyłączyć silnik	Nieprawidłowy kąt noża	Upewnić się, że blokada kąta jest zamocowana prawidłowo
	Poluzowana nakrętka mocująca ostrza tnące	Mocno dokręcić
	Gałęzie pochwycone przez ostrza tnące	Usunąć ciała obce
	Usterka układu napędowego	Zlecić serwisowi kontrolę i konserwację
Nietypowe drgania modułu głównego ↓ Natychmiast wyłączyć silnik	Złamane, wygięte lub zużyte ostrza tnące	Wymienić ostrza tnące
	Poluzowana nakrętka mocująca ostrza tnące	Mocno dokręcić
	Usterka układu napędowego	Zlecić serwisowi kontrolę i konserwację
Ostrza tnące nie zatrzymują się natychmiast ↓ Natychmiast wyłączyć silnik	Wysokie obroty na biegu jałowym	Wyregulować
	Odczepiona linka przepustnicy	Prawidłowo zamocować
	Usterka układu napędowego	Zlecić serwisowi kontrolę i konserwację
Silnik nie wyłącza się ↓ Uruchomić silnik na biegu jałowym i ustawić dźwignię ssania w położeniu „H”	Rozłączone złącze	Prawidłowo zamocować
	Usterka instalacji elektrycznej	Zlecić serwisowi kontrolę i konserwację

Jeśli silnik nie uruchamia się po rozgrzaniu:

Jeśli nie stwierdzono żadnej innej usterki, należy otworzyć przepustnicę o 1/3 i uruchomić silnik.

Vă mulțumim pentru că ați ales mașina de tuns gardul viu MAKITA. Suntem încântați să vă oferim un produs care este rezultatul unui program extins de dezvoltare și al multor ani de cunoștințe și experiență.

Pentru a obține cele mai bune rezultate posibile cu mașina dumneavoastră MAKITA de tuns gardul viu, vă rugăm să citiți acest manual în întregime și să urmați instrucțiunile din prezentul document pentru a asigura funcționarea corectă a mașinii de tuns gardul viu MAKITA.



## Cuprins

## Pagina

Simboluri.....	74
Instrucțiuni de siguranță .....	75
Date tehnice .....	80
Denumirea pieselor .....	81
Ansamblu.....	82
Curea de umăr (accesoriu opțional).....	82
Carburant/realimentare.....	83
Precauții înainte de pornirea motorului.....	85
Operarea mașinii de tuns gardul viu.....	88
Întreținere .....	90
Depozitare .....	95
Depanare.....	97

## SIMBOLURI

Vă rugăm să țineți cont de următoarele simboluri atunci când citiți acest manual de instrucțiuni.

	AVERTISMENT/PERICOL		Aveți grijă la riscul de prindere
	Înainte de utilizare, trebuie să citiți cu atenție și să înțelegeți pe deplin instrucțiunile din acest manual		Aveți grijă la liniile electrice, pericol de electrocutare
	INTERZIS		Carburant (Benzină)
	Fumatul interzis		Pornire manuală motor
	A se feri de foc deschis		Oprire de urgență
	Purtați încălțăminte de protecție		Primul ajutor
	Purtați mănuși de protecție		PORNIT/START
	Interziceți accesul persoanelor și animalelor de companie în zona de lucru		OPRIT/STOP
	Purtați o cască de protecție și sisteme de protecție pentru ochi și urechi		

# INSTRUCȚIUNI DE SIGURANȚĂ

## Instrucțiuni generale

- Înainte de utilizare, citiți cu atenție acest manual și familiarizați-vă bine cu modul de manipulare corectă a mașinii de tuns gardul viu. **ACEST ECHIPAMENT POATE CAUZA ACCIDENTĂRI GRAVE DACĂ ESTE UTILIZAT INCORECT!**
- Furnizați întotdeauna instrucțiuni detaliate despre modul de utilizare corectă a mașinii de tuns gardul viu atunci când împrumutați echipamentul unei alte persoane. Asigurați-vă că manualul de instrucțiuni este înmănat împreună cu mașina de tuns gardul viu.
- Persoanele care utilizează pentru prima dată mașina de tuns gardul viu trebuie să solicite distribuitorului instrucțiunile de bază cu privire la manipularea acesteia.
- Păstrați acest manual într-o locație ușor accesibilă pentru referință rapidă.
- Nu permiteți persoanelor sub 18 ani să opereze mașina de tuns gardul viu. Totuși, persoanele cu vârsta de peste 16 ani pot utiliza mașina de tuns gardul viu în scopuri de instruire sub supravegherea constantă a unui adult familiarizat cu operarea acesteia.
- Folosiți întotdeauna mașina de tuns gardul viu cu cea mai mare grijă și atenție.
- Nu încercați niciodată să modificați echipamentul.
- Respectați reglementările privind manevrarea mașinilor de tuns gardul viu din țara dumneavoastră.
- O accidentare gravă se poate produce dacă mașina de tuns gardul viu este utilizată în următoarele circumstanțe. Nu folosiți mașina de tuns gardul viu:
  - Dacă sunteți obosit sau bolnav.
  - După ce ați consumat alcool și/sau medicamente.
  - Noaptea sau în condiții de iluminare slabă.
  - În timpul sarcinii.

## Destinația de utilizare

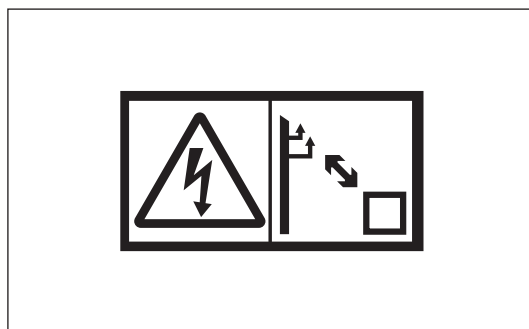
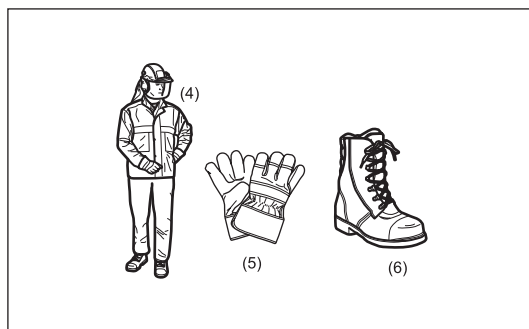
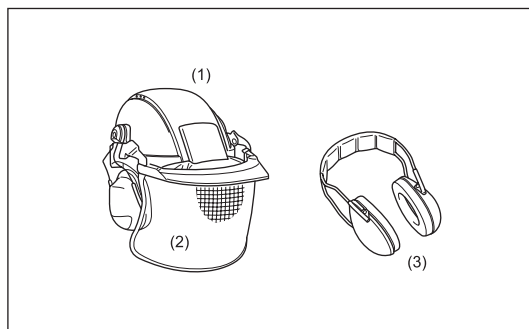
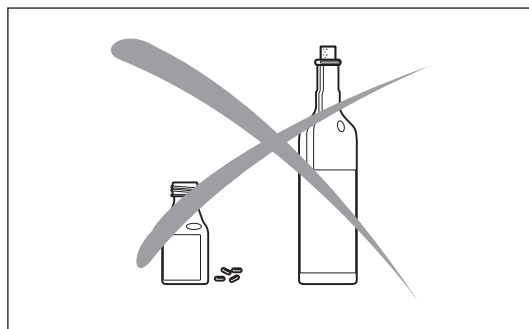
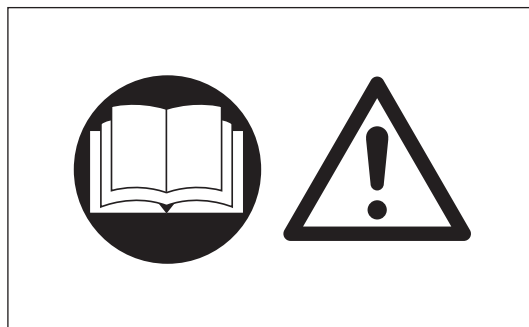
- Această mașină de tuns gardul viu a fost concepută în scopul exclusiv de tundere a gardurilor vii și tufișurilor. Nu folosiți mașina de tuns gardul viu în niciun alt scop.

## Echipament personal de protecție

- Hainele purtate trebuie să fie funcționale și bine ajustate, fără a restricționa mișcarea. Nu purtați haine sau bijuterii care se pot agăța în lăstăriș sau în echipament.
- Pentru protecție corespunzătoare împotriva leziunilor la cap, ochi, mâini, picioare, precum și pentru a vă proteja auzul, în timpul folosirii mașinii de tuns gardul viu trebuie purtate următorul echipament de protecție și următoarea îmbrăcăminte de protecție.
- Pentru a preveni leziuni la nivelul capului sau ochilor, purtați întotdeauna o cască de protecție (1) cu ochelari de protecție sau un vizor (2).
- Pentru a evita pierderea auzului, purtați în permanență protecții corespunzătoare pentru urechi (3).
- Se recomandă insistent purtarea unei salopete de lucru bine ajustate (4).
- Purtați întotdeauna mănuși de lucru rezistente din piele (5) atunci când utilizați mașina de tuns gardul viu.
- Atunci când utilizați mașina de tuns gardul viu, purtați întotdeauna încălțăminte robustă (6) cu talpă antiderapantă. Încălțăminte de lucru specială asigură sprijin bun și protecție împotriva vătămărilor corporale.
- Purtați mănuși de protecție când atingeți lamele sau unitatea lamelor. Lamele pot cauza tăieturi grave dacă nu purtați mănuși de protecție.

## Siguranța zonei de lucru

- **⚠ PERICOL:** Țineți mașina de tuns gardul viu la distanță de liniile electrice și de cablurile de comunicație. Atingerea sau apropierea de liniile de înaltă tensiune cu mașina de tuns gardul viu poate cauza moartea sau accidente grave. Examinați cablurile de alimentare și gardurile electrice din jurul zonei de lucru înainte de a începe operarea.
- Porniți și operați motorul doar în exterior, într-o zonă bine aerisită. Operarea într-o zonă închisă sau slab aerisită poate cauza moartea prin sufocare sau intoxicare cu monoxid de carbon.
- În timpul operării, țineți mașina de tuns gardul viu la o distanță de cel puțin 15 m de persoanele din jur, în special de copii, sau animale. Opritiți motorul atunci când o persoană se apropie de dumneavoastră.
- Înainte de operare, verificați dacă în zona de lucru există garduri de sârmă, pietre sau alte obiecte solide. Acestea pot avaria lamele.
- **⚠ AVERTISMENT:** Utilizarea acestui produs poate crea praf ce conține substanțe chimice care pot cauza boli respiratorii sau de altă natură. Câteva exemple de substanțe chimice sunt compușii ce se găsesc în pesticide, insecticide, îngrășăminte și erbicide. Riscurile la care sunteți expus în acest caz variază, în funcție de frecvența cu care executați acest tip de lucrare. Pentru a reduce expunerea la aceste chimicale: lucrați într-un spațiu bine ventilat și cu un echipament de protecție omologat, cum ar fi acele măști de protecție a respirației care sunt special concepute pentru a filtra particulele microscopice.



## Pornirea mașinii de tuns gardul viu

- Înainte de asamblarea sau reglarea echipamentului, opriți motorul și înlăturați capacul bujei.
- Înainte de a porni mașina de tuns gardul viu, asigurați-vă întotdeauna că echipamentul se află în stare sigură de funcționare.
- Nu încercați să porniți motorul dacă echipamentul este deteriorat.
- Verificați funcționarea mecanismului de siguranță al manetei de accelerație. Maneta de deblocare trebuie să poată fi acționată ușor și simplu. Asigurați-vă că maneta de deblocare funcționează corespunzător. Asigurați-vă că mânerul este curat și uscat și testați comutatorul STOP pentru a asigura funcționarea corespunzătoare.

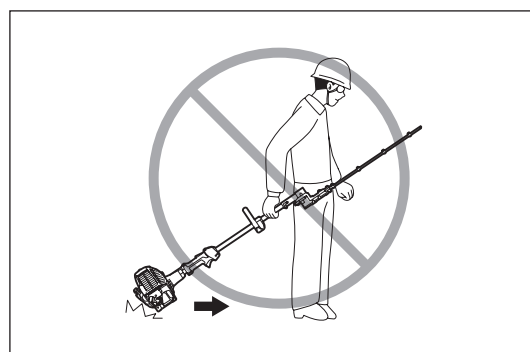
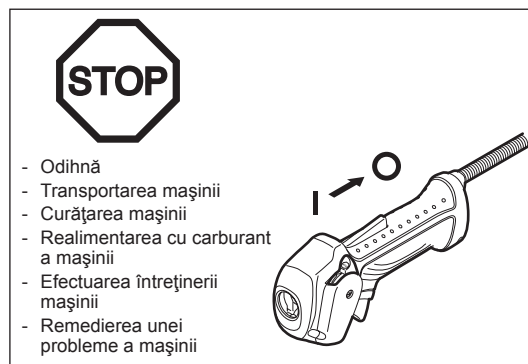
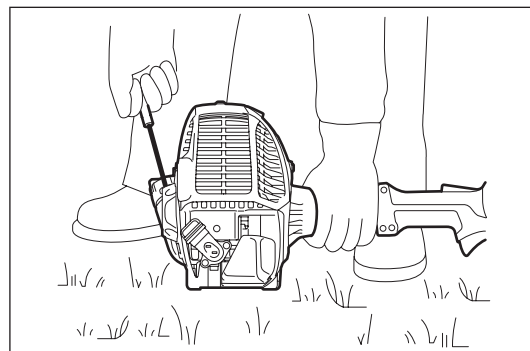
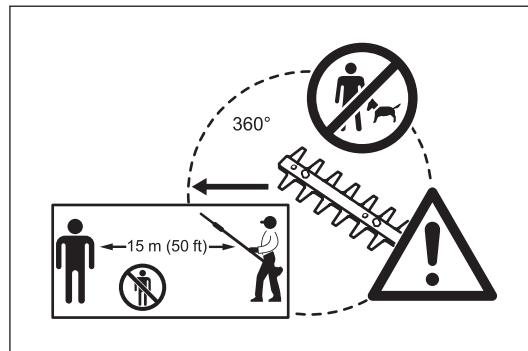
Porniți întotdeauna mașina de tuns gardul viu în conformitate cu instrucțiunile din acest manual de instrucțiuni.

## Urmați instrucțiunile de mai jos pentru a porni mașina de tuns gardul viu

- Porniți mașina de tuns gardul viu numai după ce mașina a fost complet asamblată și toate componentele accesorii au fost atașate.
- Când porniți motorul, țineți lamele la distanță de corpul dumneavoastră și de alte obiecte, inclusiv la distanță de sol. Lamele se pot deplasa în momentul pornirii, cauzând răni grave sau deteriorarea acestora și/sau a proprietății.
- Înaintea pornirii motorului, asigurați-vă că lamele de tăiere nu sunt obstrucționate de niciun obiect străin precum pietre, crengi etc.
- Motorul trebuie oprit imediat dacă apar probleme ale acestuia.
- Când trageți maneta pentru demaror țineți echipamentul ferm pe sol cu mâna stângă. Nu călcați niciodată pe arborele motor.
- Dacă lamele se mișcă la ralanti, opriți motorul și reduceți turația de ralanti.
- Când utilizați mașina de tuns gardul viu, țineți întotdeauna ferm de ambele mâner. Prindeți bine cu degetele fiecare mâner, ținând mânerul între degetul mare și degetul arătător. Pentru a menține mașina de tuns gardul viu sub control permanent, evitați schimbarea prinderii în timpul operării. Asigurați-vă că mânerul de control se află în stare bună și nu prezintă urme de umezeală, noroi, ulei sau unsoare.

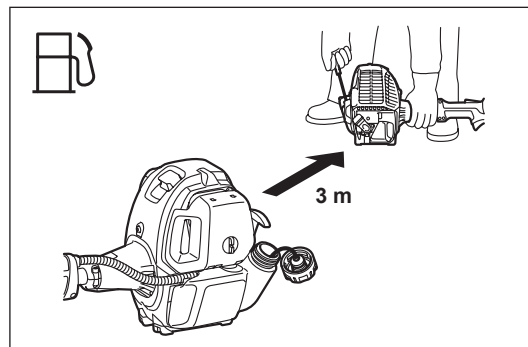
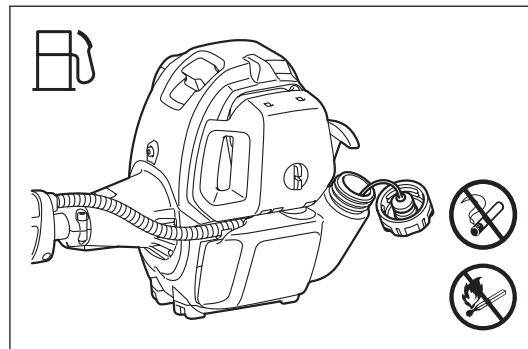
## Asigurați întotdeauna un sprijin sigur și bine echilibrat al corpului pe picioare

- Opriți întotdeauna motorul imediat și întrerupeți funcționarea dacă apar defecțiuni ale motorului sau dacă mașina începe să producă un zgomot neobișnuit.
- Fumurile evacuate sunt otrăvitoare. Nu utilizați niciodată mașina într-o încăpere închisă sau tunel fără aerisire (pericol de sufocare și de otrăvire cu gaze). Rețineți că monoxidul de carbon este un gaz inodor. Asigurați-vă întotdeauna că zonele în care este utilizat motorul sunt aerisite corespunzător.
- Opriți motorul când vă odihniți sau când mașina de tuns gardul viu este lăsată nesupraveheată. Plasați mașina într-o locație sigură și asigurați-vă că în apropierea sa nu se află materiale combustibile.
- Este interzis să așezați o mașină de tuns gardul viu fierbinte pe iarbă uscată sau pe material combustibil.
- Pentru a reduce pericolul de incendii, ferțiți motorul și toba de eșapament de reziduuri, frunze sau lubrifianți excesivi.
- Nu operați niciodată motorul cu toba de eșapament defectă.
- Opriți motorul înainte de transport.
- Opriți întotdeauna motorul în următoarele cazuri:
  - Odihnă
  - Transportarea mașinii
  - Curățarea mașinii
  - Realimentarea cu carburant a mașinii
  - Efectuarea întreținerii mașinii
  - Remedierea unei probleme a mașinii
- Când transportați echipamentul, deplasați-l în poziție orizontală, ținând de arbore. Țineți toba de eșapament încinsă departe de corp.
- Când transportați mașina într-un vehicul, atașați întotdeauna în siguranță mașina de tuns gardul viu pentru a evita scurgerea carburantului rezidual.
- Goliți întotdeauna rezervorul de carburant înainte de transportarea mașinii de tuns gardul viu într-un vehicul.
- Când descărcați mașina din vehicul, aveți foarte mare grijă să nu scăpați mașina de tuns gardul viu pe sol, deoarece aceasta poate deteriora grav rezervorul de carburant.
- Excepționând situațiile de urgență, nu scăpați niciodată mașina de tuns gardul viu deoarece acest lucru poate duce la deteriorarea gravă a acesteia.
- Când transportați mașina de tuns gardul viu, ridicați întotdeauna complet mașina de pe sol. Nu târați niciodată motorul pe sol deoarece acest lucru poate deteriora rezervorul de carburant și poate cauza un incendiu.
- Utilizați întotdeauna capacul lamei de tăiere pentru a proteja și asigura secțiunea de tăiere a mașinii de tuns gardul viu în timpul transportului și depozitării.
- Dacă echipamentul suferă un impact puternic sau o cădere, verificați starea acestuia înainte de a continua lucrul. Verificați dacă sistemul de alimentare prezintă scurgeri și dacă dispozitivele de comandă și siguranță prezintă defecțiuni. Dacă există semne de deteriorări sau aveți dubii, contactați centrul nostru de service autorizat pentru inspecție și reparații.



## Realimentare cu carburant

- Înainte de realimentarea cu carburant, opriți motorul.
- Este interzis să realimentați cu carburant în apropierea focului deschis.
- Nu fumați atunci când realimentați cu carburant.
- Acordați o perioadă suficientă de timp pentru răcirea motorului înainte de a realimenta cu carburant.
- Aveți grijă să nu permiteți intrarea în contact a pielii cu produsele pe bază de benzină. Nu inhalați vaporii de benzină și purtați întotdeauna mănuși de protecție la realimentarea cu carburant.
- Schimbați și curățați îmbrăcămintea de protecție la intervale regulate.
- Aveți foarte mare grijă pentru a nu vărsa benzina și uleiul, pentru a evita contaminarea solului (protecția mediului). Dacă s-a vărsat benzină sau ulei pe mașina de tuns gardul viu, ștergeți imediat suprafața acesteia cu o cârpă. Pentru a evita combustia spontană, lăsați cârpele ude să se usuce suficient înainte de a le depune într-un recipient corespunzător, acoperit.
- Carburantul nu trebuie să intre în contact cu îmbrăcămintea. Schimbați imediat îmbrăcămintea contaminată cu carburant (pericol de incendiu).
- Închideți rezervorul de carburant și strângeți bine capacul rezervorului de carburant. Pentru a reporni motorul, transferați mașina de tuns gardul viu într-o locație la cel puțin 3 metri distanță de locul de realimentare cu carburant.
- Verificați capacul rezervorului de carburant la intervale regulate pentru a vă asigura de fixarea sigură a capacului.
- Nu realimentați niciodată mașina într-o încăpere închisă. Vaporii de carburant se acumulează la nivelul solului (risc de explozie).
- Depozitați carburantul numai în recipiente corespunzătoare și asigurați-vă că acestea nu se află la îndemâna copiilor.



## Operare

- În cazul unei urgențe, opriți motorul imediat.
- Dacă întâmpinați condiții neobișnuite (de exemplu, zgomote, vibrații) în timpul operării, opriți motorul. Nu utilizați mașina de tuns gardul viu până la identificarea și soluționarea cauzei.
- Lamele continuă să se miște pentru o scurtă perioadă după eliberarea accelerației sau oprirea motorului. Nu vă grăbiți să puneți mâna pe lame.
- Nu încercați să operați echipamentul cu o mână. Pierderea controlului poate produce răni grave sau mortale. Pentru a reduce riscul de accidentări prin tăiere, țineți mâinile și picioarele departe de lame.
- Păstrați mâna dreaptă sub umăr în timpul operării. În caz contrar, puteți pierde controlul și vă puteți răni.
- În timpul operării, nu loviți niciodată lamele de obstacole dure, precum pietre și metale. Aveți grijă deosebită la tăierea unor garduri vii care sunt dispuse de-a lungul unui gard de sârmă sau au crescut prin acesta. Când lucrați în apropiere de sol, aveți grijă să nu pătrundă nisip, pietriș sau pietre între lame.
- Dacă lamele intră în contact cu pietre sau alte obiecte solide, opriți imediat motorul și verificați dacă lamele nu s-au deteriorat după ce scoateți capacul bujiei. Înlocuiți lamele dacă s-au deteriorat.
- Nu atingeți și nu vă apropiați de lame în timp ce acestea se mișcă. Lamele pot tăia degetele cu ușurință. Când manipulați lama sau vă apropiați de lamă, opriți motorul și înlăturați capacul bujiei.
- Dacă în lame rămân blocate ramuri groase, opriți imediat motorul, așezați jos mașina de tuns gardul viu și apoi înlăturați obstacolul după ce scoateți capacul bujiei. Verificați dacă lamele nu s-au deteriorat înainte de a utiliza din nou echipamentul.
- Accelerarea motorului cu lamele blocate mărește sarcina și poate avaria motorul și/sau ambreiajul.
- Verificați frecvent lamele de tăiere în timpul operării pentru a depista eventuale fisuri sau muchii tocite. Înainte de inspecție, opriți motorul și așteptați până când lamele se opresc definitiv. Înlocuiți imediat lamele deteriorate sau tocite, chiar dacă prezintă doar fisuri superficiale.
- Nu atingeți carcasa angrenajului. Carcasa angrenajului se încinge în timpul operării.
- Odihniți-vă pentru a preveni pierderea controlului din cauza obosealii. Vă recomandăm să luați o pauză de 10-20 de minute la fiecare oră.
- Înainte de tăiere, trageți până la capăt de maneta de accelerație pentru a atinge viteza maximă.
- În timpul utilizării, țineți întotdeauna mașina de tuns gardul viu cu ambele mâini.
- Utilizați mașina de tuns gardul viu doar în condiții de bună vizibilitate și lumină. Feriți-vă de zone alunecoase și umede (gheață și zăpadă) în timpul sezonului rece și asigurați-vă întotdeauna o poziție stabilă.
- Nu utilizați niciodată mașina de tuns gardul viu în timp ce vă aflați pe o suprafață instabilă sau pe o pantă abruptă.
- Nu utilizați niciodată mașina de tuns gardul viu în timp ce staționați pe o scară.
- Nu vă urcați niciodată într-un copac pentru a utiliza mașina de tuns gardul viu dintr-un copac.
- Pentru a evita împiedicarea sau căderea peste obiecte, nu mergeți niciodată cu spatele când lucrați cu mașina de tuns gardul viu.
- Opriți întotdeauna motorul înaintea curățării sau depanării mașinii. De asemenea, nu înlocuiți componente înainte de oprirea motorului.
- Nu operați mașina de tuns gardul viu dacă unitatea de tăiere este deteriorată sau uzată.



## Vibrații

- Persoanele cu probleme circulatorii expuse la vibrații excesive pot suferi leziuni ale vaselor sanguine sau ale sistemului nervos. Vibrațiile pot provoca următoarele simptome la nivelul degetelor, mâinilor sau articulațiilor mâinilor: "amorțeală" (insensibilitate), furnicăături, durere, înțepături, modificarea culorii sau texturii pielii. Dacă apare oricare dintre aceste simptome, consultați un medic!
- Pentru a reduce riscul apariției "sindromului degetelor albe", păstrați-vă mâinile calde în timpul utilizării și întrețineți în mod corect echipamentul și accesoriile.

## Instrucțiuni de întreținere

- Service-ul echipamentului trebuie efectuat la centrul nostru de service autorizat, folosind întotdeauna piese de schimb originale. Reparațiile incorecte sau o întreținere inadecvată pot scurta durata de viață a echipamentului și mări riscul accidentărilor.
- Faceți întotdeauna tot ce vă stă în putință pentru a păstra nivelul de poluare și emisiile de zgomot cât mai reduse posibil atunci când utilizați mașina de tuns gardul viu. Acordați o atenție specială la reglarea corectă a carburatorului.
- Curățați mașina de tuns gardul viu la intervale regulate și verificați periodic dacă toate șuruburile și piulițele sunt strânse bine.
- Nu efectuați operații de service și nu depozitați mașina de tuns gardul viu niciodată în apropierea flăcărilor deschise, scânteilor etc.
- Nu reparați niciodată lamele îndoite sau rupte prin îndreptare sau sudare. Se pot desprinde părți ale lamelor, care pot cauza vătămări grave. Contactați centrul de service autorizat MAKITA pentru lame originale MAKITA în scopul înlocuirii acestora.
- Pentru a preveni alte daune și/sau accidentări, nu reparați o mașină de tuns gardul viu defectă dacă nu aveți calificarea necesară. Pentru reparații, contactați întotdeauna distribuitorul dumneavoastră sau un agent de service autorizat.

Nu încercați să modificați sau să remodelați mașina de tuns gardul viu deoarece acest lucru poate afecta siguranța de funcționare.

Lucrările de întreținere care pot fi efectuate de către utilizator sunt limitate la activitățile descrise în acest manual de instrucțiuni. Toate celelalte proceduri vor fi efectuate de un agent de service autorizat.

Solicitați centrului de service autorizat MAKITA să inspecteze și să întrețină mașina de tuns gardul viu la intervale regulate.

Utilizați doar piese de schimb originale și accesorii furnizate de centre de service autorizate de MAKITA.

Utilizarea de accesorii și dispozitive neautorizate poate crește riscul de accidente și vătămări corporale. MAKITA nu acceptă răspunderea pentru accidente sau daune cauzate de utilizarea unor accesorii sau componente neautorizate.

## Depozitare

- Înainte de depozitarea echipamentului, efectuați curățarea și întreținerea completă. Montați apărătoarea lamelor.
- Goliți întotdeauna rezervorul de carburant înainte de depozitare și depozitați întotdeauna mașina de tuns gardul viu într-o cameră închisă, bine aerisită. Asigurați-vă că mașina de tuns gardul viu nu se află niciodată la îndemâna copiilor.
- Nu sprijiniți echipamentul pe ceva, cum ar fi un perete. În caz contrar, mașina de tuns gardul viu poate cădea brusc cauzând accidentări.

## Primul ajutor

Ca o măsură de precauție împotriva unui accident, asigurați-vă că o trusă de prim ajutor, complet echipată, este disponibilă.

Înlocuiți orice elemente folosite din trusa de prim ajutor cât mai urgent posibil.

## Când solicitați ajutor în caz de urgență, oferiți următoarele informații:

- Locul accidentului
- Ce s-a întâmplat
- Numărul de persoane rănite
- Amploarea vătămarilor corporale
- Numele dumneavoastră



**Doar pentru țările europene**

**Declarație de conformitate CE**

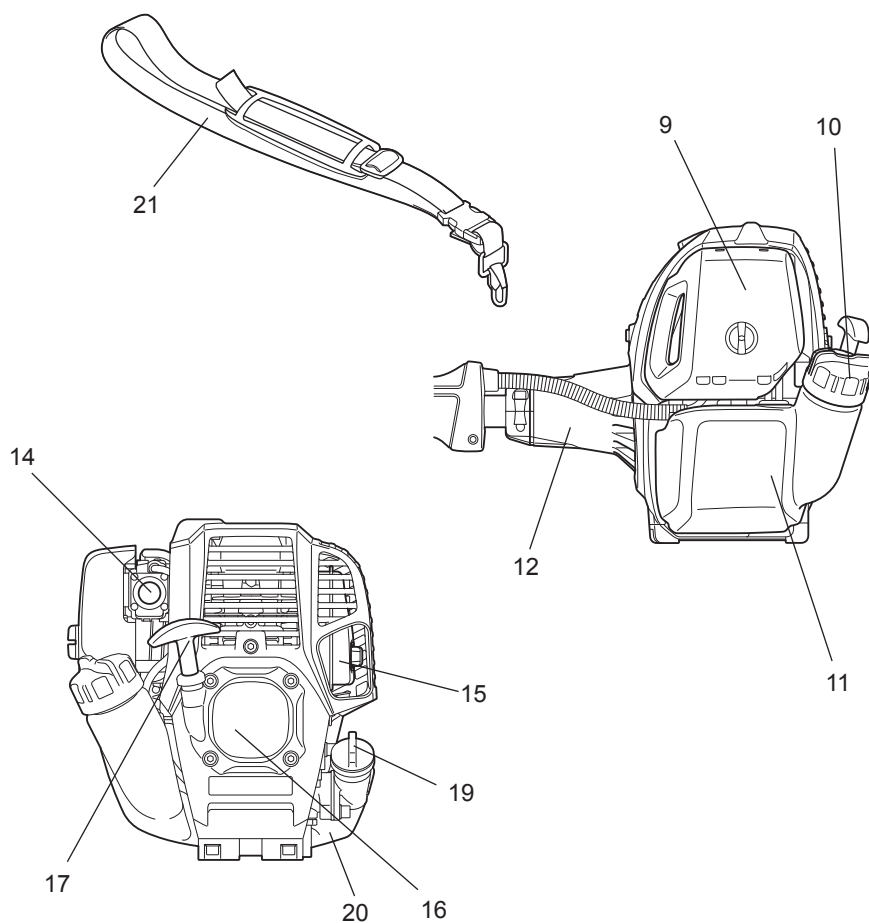
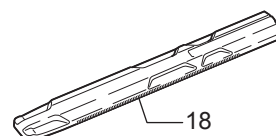
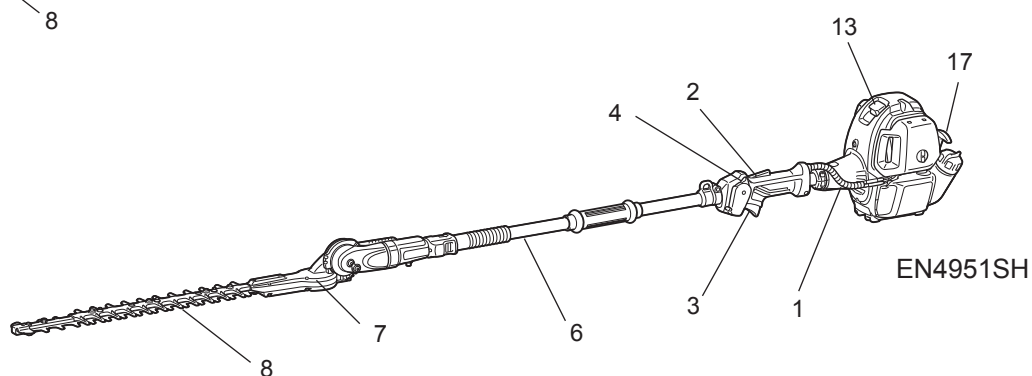
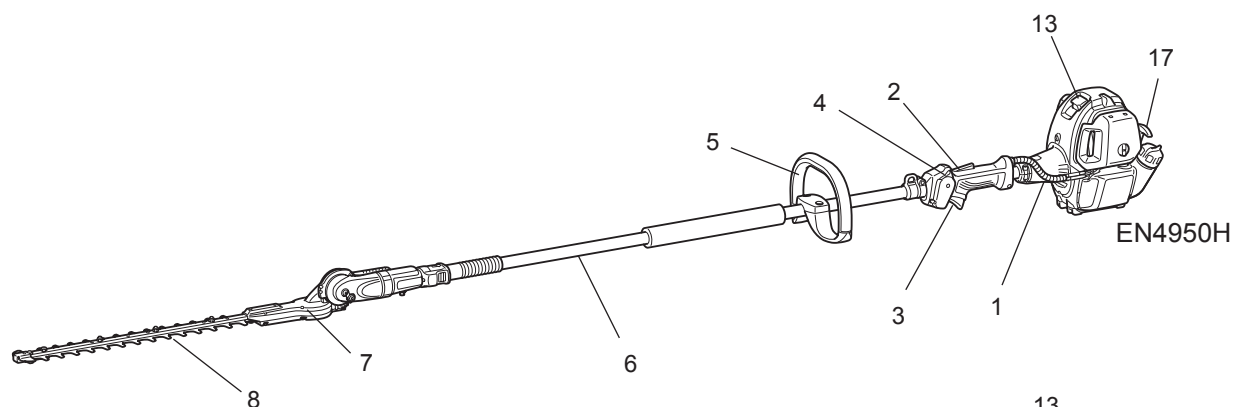
Declarația de conformitate CE este inclusă în Anexa A a acestui manual de instrucțiuni.

## DATE TEHNICE

Model	EN4950H		EN4951SH	
	Mâner cotit		Mâner drept	
Dimensiuni (L x l x H)	2.550 mm x 242 mm x 241 mm		2.050 mm x 221 mm x 241 mm	
Greutate netă	6,9 kg		6,6 kg	
Volum (rezervor de carburant)	0,6 L			
Lungime de tăiere	490 mm			
Diametru maxim al crengii	7 mm			
Curse de tăiere	4.200 min <sup>-1</sup>			
Tip motor	Răcit cu aer, în 4 timpi, un singur cilindru			
Capacitate cilindrică motor	25,4cm <sup>3</sup>			
Performanțe maxime motor	0,77 kW la 7.000 min <sup>-1</sup>			
Turația motorului la frecvența de rotație maximă recomandată a arborelui	10.000 min <sup>-1</sup>			
Consum de carburant	0,33 kg/h			
Consum specific de carburant	408 g/kWh			
Turație la ralanti	3.000 min <sup>-1</sup>			
Turație de cuplare ambreiaj	4.400 min <sup>-1</sup>			
Carburator (Carburator cu diafragmă)	Tip diafragmă			
Bujie tip	NGK CMR4A			
Distanța dintre electrozi	0,7 - 0,8 mm			
		Vibrații conform ISO 10517	Vibrații conform ISO 10517	
Mâner pe dreapta (prindere din spate)	a <sub>hv eq</sub>	8,5 m/s <sup>2</sup>	7,0 m/s <sup>2</sup>	
	Eroare de măsurare K	1,3 m/s <sup>2</sup>	3,1 m/s <sup>2</sup>	
Mâner pe stânga (prindere din față)	a <sub>hv eq</sub>	6,4 m/s <sup>2</sup>	5,1 m/s <sup>2</sup>	
	Eroare de măsurare K	2,6 m/s <sup>2</sup>	1,5 m/s <sup>2</sup>	
		Zgomot conform ISO 10517	Zgomot conform ISO 10517	
Nivel de presiune acustică	90 dB (A)		90,2 dB (A)	
Eroare de măsurare K	1,8 dB (A)		1,0 dB (A)	
Nivel de putere acustică	103,0 dB (A)		104,1 dB (A)	
Eroare de măsurare K	1,0 dB (A)		0,4 dB (A)	
Carburant	Benzină pentru autovehicule			
Ulei de motor	Ulei API din clasa SF sau superioară, SAE 10W-30 (ulei de motor în 4 timpi pentru automobile)			
Raport de transmisie	1/4,78			



## DENUMIREA PIESELOR



	Denumirea pieselor
1	Cablu de accelerație
2	Manetă de deblocare
3	Manetă accelerație
4	Comutator Stop
5	Mâner
6	Arbore
7	Cutie de viteze
8	Lamă de tăiere
9	Filtru de aer
10	Capac rezervor carburant
11	Rezervor de carburant
12	Carcasă ambreiaj
13	Capac bujie
14	Pompă de amorsare
15	Tobă de eșapament
16	Demaror cu rapel
17	Manetă pentru demaror
18	Apărătoare lamă
19	Capac ulei
20	Rezervor ulei
21	Curea de umăr (Accesoriu opțional)

## ANSAMBLU

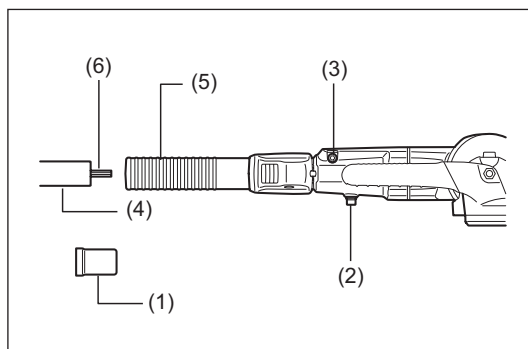
### ⚠ AVERTISMENT:

- Asigurați-vă că motorul este oprit și îndepărtați capacul bujiei înainte de a asambla mașina de tuns gardul viu.
- Purtați mănuși de protecție!
- Asigurați lamele de tăiere cu apărătoarea lamei furnizată când conectați unitatea de tăiere la suport.

1. Înlăturați capacul (1) de pe arbore.
2. Slăbiți șurubul M5 x 16 (2) și șurubul M5 x 25 (3).
3. Introduceți arborele (4) în învelișul de protecție (5).

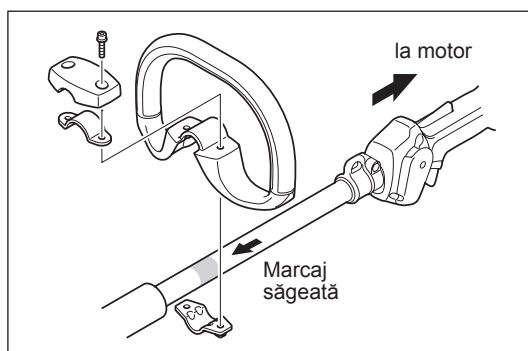
NOTĂ: Asigurați-vă că arborele este complet introdus în învelișul de protecție (aprox. 237 mm/9-3/8").  
Dacă întâmpinați probleme la introducerea arborelui, rotiți ușor cu mâna axul motor (6) și încercați din nou.

4. Asigurați-vă că arborele este introdus corespunzător și apoi strângeți șurubul M5 x 16 și șurubul M5 x 25.



### ATAȘAREA MÂNERULUI (pentru EN4950H)

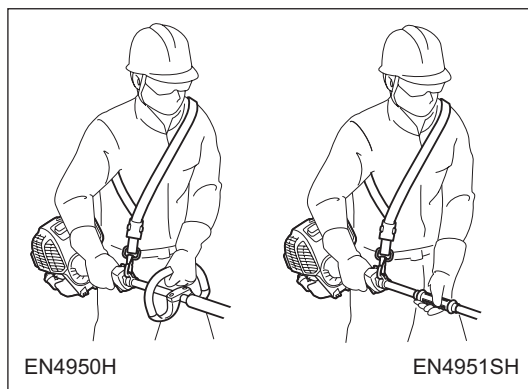
- Fixați mânerul cotit pe arbore, în modul indicat.
- Pentru a păstra o distanță corectă între mânere, poziționați mânerul cotit în fața săgeților.



## CUREA DE UMĂR (accesoriu opțional)

### Modul de purtare a curelei pentru umăr

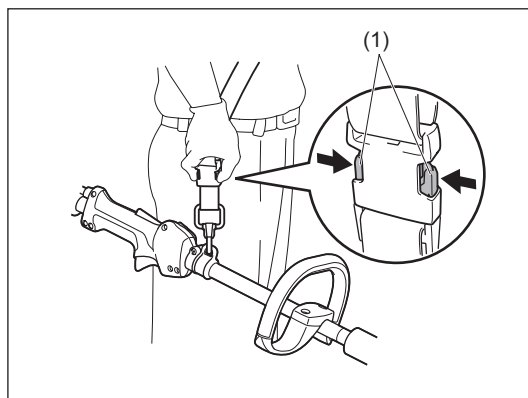
- Purtați cureaua pentru umăr pe umărul stâng.
- Țineți unitatea mașinii de tuns gardul viu pe partea dreaptă a corpului.
- Atașați cureaua la agățătoarea prevăzută pe mașina de tuns gardul viu și reglați lungimea curelei pentru a obține o poziție de lucru confortabilă.



### Detașare

- În caz de urgență apăsați canelurile (1) de pe ambele părți și puteți detașa mașina de dvs.  
Acordați o atenție maximă, pentru a menține controlul mașinii în acest moment.  
Nu lăsați mașina să fie deviată spre dumneavoastră sau orice altă persoană din apropierea zonei de lucru.

AVERTISMENT: Lipsa menținerii controlului complet asupra mașinii poate cauza leziuni corporale grave sau MOARTEA.



## ÎNAINTE DE ÎNCEPEREA OPERĂRII

### Inspekția și completarea cu ulei de motor

- Efectuați următoarea procedură, cu motorul răcit.
- Setează nivelul motorului, scoateți capacul de ulei (Fig. 1) și verificați pentru a vedea dacă există sau nu ulei în intervalul dintre limita superioară și inferioară marcate pe conducta de ulei (Fig. 2).
- Umpleți cu ulei până la marcajul limitei superioare, dacă uleiul este insuficient (nivelul de ulei este apropiat de marcajul limitei inferioare) (Fig. 3).
- Zona care înconjoară marcasele externe este transparentă, deci cantitatea de ulei din interior poate fi verificată fără a fi necesară scoaterea capacului de ulei. Totuși, în cazul în care conducta de ulei devine extrem de murdară, vizibilitatea se poate pierde, iar nivelul de ulei va trebui verificat pe baza secțiunii etajate din interiorul conductei de ulei.
- Pentru referință, timpul de completare cu ulei este de aproximativ 10 ore (la fiecare 10 realimentări).  
Dacă uleiul își schimbă culoarea sau se amestecă cu murdărie, înlocuiți-l cu ulei nou. (Pentru interval și metoda de înlocuire, consultați P92)

**Ulei recomandat:** SAE 10W-30 de categorie API, clasa SF sau superioară (motor în 4 timpi pentru automobile)

**Volu de ulei:** Aprox. 0,08 L

NOTĂ: Dacă motorul nu este ținut vertical, uleiul poate circula în motor și poate fi completat în exces.

Dacă uleiul este umplut peste limită, acesta poate fi contaminat sau se poate aprinde degajând un fum alb.

### Punctul 1 în Schimbul de ulei: "Capac de ulei"

- Îndepărtați praful sau murdăria din apropierea orificiului de completare cu ulei și scoateți capacul de ulei.
- Păstrați capacul de ulei scos necontaminat cu nisip sau praf. Altfel, nisipul sau praful care aderă la capacul de ulei poate cauza circulația neregulată a uleiului sau uzura pieselor motorului, ceea ce va conduce la probleme.

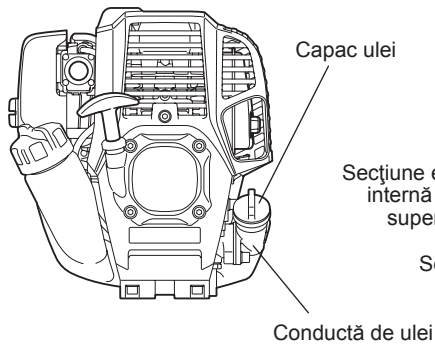


Fig. 1

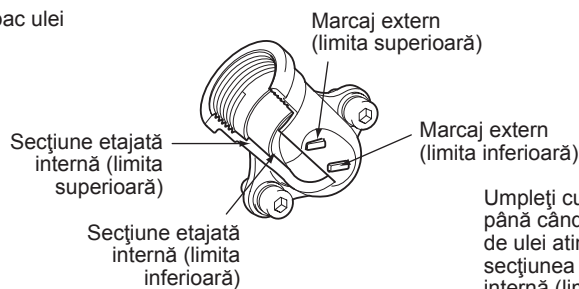


Fig. 2 Conductă de ulei

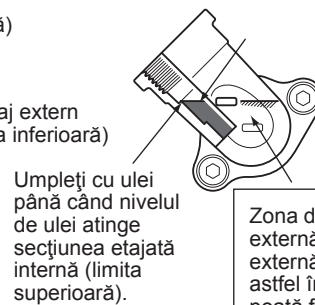
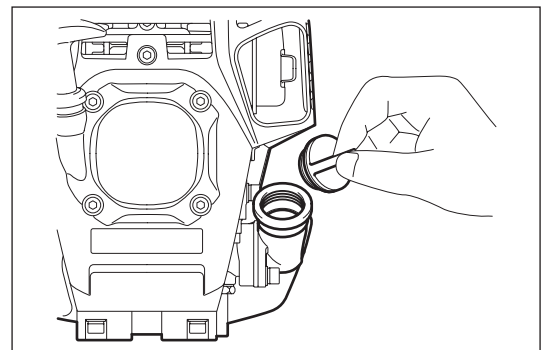


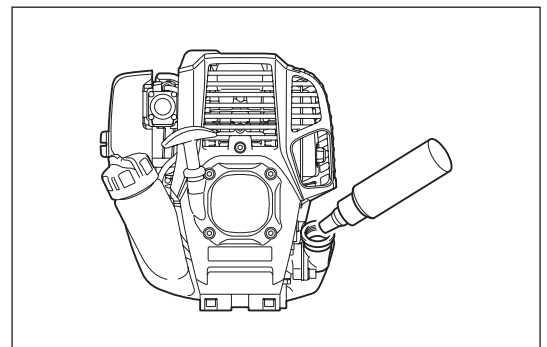
Fig. 3

Zona dintre limita superioară externă și limita inferioară externă este transparentă, astfel încât nivelul de ulei să poată fi verificat din exterior pe baza acestor marcaje.

(1) Țineți motorul drept și scoateți capacul de ulei.



(2) Umpleți cu ulei până la marcajul limitei superioare. (consultați Fig. 3)  
Utilizați sticla de ulei la umplere.



(3) Strângeți bine capacul de ulei. Strângerea insuficientă poate cauza scurgerea uleiului.

#### Notă

- Nu înlocuiți uleiul cu motorul în poziție înclinată.
- Umplerea cu ulei în timp ce motorul este înclinat va duce la o umplere excesivă, cauzând contaminarea uleiului și/sau degajarea de fum alb.

#### Punctul 2 în Schimbul de ulei: "Dacă apar scurgeri de ulei"

- Dacă apar scurgeri de ulei între rezervorul de carburant și unitatea principală a motorului, uleiul este aspirat prin orificiul de admisie a aerului de răcire, ceea ce va contamina motorul. Asigurați-vă că ștergeți uleiul scurs înainte de începerea operării.

## REALIMENTARE CU CARBURANT

### Manipularea carburantului

Este necesar să manipulați carburantul cu cea mai mare atenție. Carburantul poate conține substanțe similare solvenților. Realimentarea cu carburant trebuie efectuată într-o încăpere aerisită suficient sau în aer liber. Nu inhalați vapori de carburant și țineți carburantul la distanță de dvs. Dacă atingeți carburantul în mod repetat sau pentru o perioadă îndelungată de timp, pielea se deshidratează, ceea ce poate cauza boală de piele sau alergii. În cazul în care carburantul intră în ochi, curățați ochii cu apă proaspătă. Dacă ochiul rămâne în continuare iritat, consultați medicul.

### Perioada de depozitare a carburantului

Carburantul trebuie utilizat într-o perioadă de până la 4 săptămâni, chiar dacă este păstrat într-un recipient special într-un adăpost bine aerisit și întunecat.

În caz contrar, carburantul se poate deteriora într-o singură zi.

#### DEPOZITAREA MAȘINII ȘI A REZERVORULUI DE REALIMENTARE

- Depozitați mașina și rezervorul într-un loc răcoros și ferit de lumina directă a soarelui.
- Nu păstrați niciodată carburant în mașină.

### Carburant

Motorul este în patru timpi. Asigurați-vă că utilizați benzină auto fără plumb, cu cifra octanică de 87 sau mai ridicată ((R+M)/2). Aceasta trebuie să conțină o concentrație maximă de alcool de 10% (E-10).

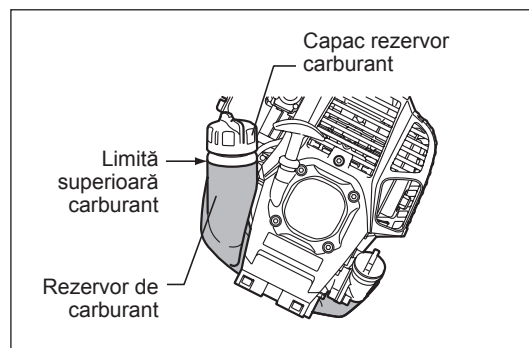
#### Aspecte referitoare la carburant

- Este interzis să utilizați un amestec de benzină care conține ulei de motor. Altfel, aceasta va cauza acumularea excesivă de calamină sau probleme mecanice.
- Utilizarea de ulei deteriorat va cauza pornirea neregulată.

### Realimentare cu carburant

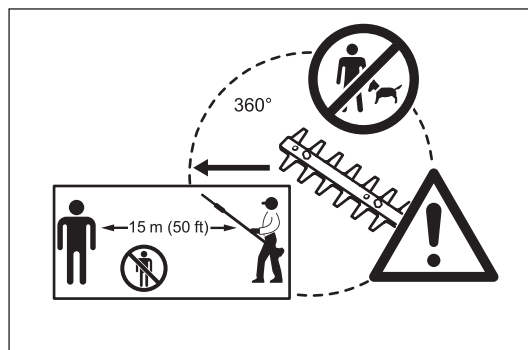
#### AVERTISMENT: PRODUSELE INFLAMABILE STRICT INTERZISE

- Slăbiți ușor capacul rezervorului pentru a elibera presiunea din rezervor.
  - Scoateți capacul rezervorului și realimentați cu carburant, eliminând aerul prin înclinarea rezervorului de carburant astfel încât orificiul de realimentare să fie orientat în sus. (NU completați cu carburant până în partea de sus a rezervorului.)
  - Ștergeți bine în apropierea capacului rezervorului pentru a preveni intrarea corpurilor străine în rezervorul de carburant.
  - După realimentarea cu carburant, strângeți bine capacul rezervorului.
- În cazul în care capacul rezervorului prezintă orice defect sau deteriorare, înlocuiți-l.
  - Capacul rezervorului se uzează în decursul timpului. Înlocuiți-l la fiecare doi sau trei ani.



## PRECAUȚII ÎNAINTE DE PORNIREA MOTORULUI

- Lăsați în permanență o zonă de siguranță de 15 metri în jurul zonei de lucru. Asigurați-vă că toate persoanele (în special copii) și/sau animalele rămân în afara acestei zone.
- Înainte de a utiliza mașina de tuns gardul viu, asigurați-vă întotdeauna că se află în stare sigură de funcționare. Asigurați-vă că lamele de tăiere nu sunt deteriorate și asigurați-vă că maneta de accelerație poate fi acționată simplu. Asigurați-vă că lamele de tăiere nu se află în mișcare atunci când motorul este la ralanti. Dacă mașina nu funcționează normal, contactați distribuitorul pentru a regla mașina. Asigurați-vă că mânerul este curat și uscat și testați comutatorul I-O pentru a verifica dacă funcționează corespunzător. Porniți motorul doar în conformitate cu instrucțiunile din acest manual. Nu utilizați orice alte metode pentru pornirea mașinii de tuns gardul viu.
- Porniți motorul mașinii de tuns gardul viu numai după ce ați citit și ați înțeles pe deplin instrucțiunile. Nu încercați niciodată să porniți o mașină de tuns gardul viu care nu a fost complet asamblată. În caz contrar, există pericolul de accidentări grave.
- Înaintea pornirii motorului, asigurați-vă întotdeauna că lamele de tăiere nu sunt obstrucționate de pietre, crengi sau orice alte obiecte solide etc.
- Verificați zona de lucru pentru identificarea sârmelor, cablurilor, sticlelor sau altor obiecte străine care s-ar putea prinde de lamele de tăiere.
- Șoc electric: Aveți grijă la liniile electrice din apropiere. Verificați întreaga zonă pentru a găsi cablurile de alimentare și gardurile electrice înainte de a începe lucrul.



## ASPECTE PRIVIND OPERAREA ȘI MODUL DE OPRIRE

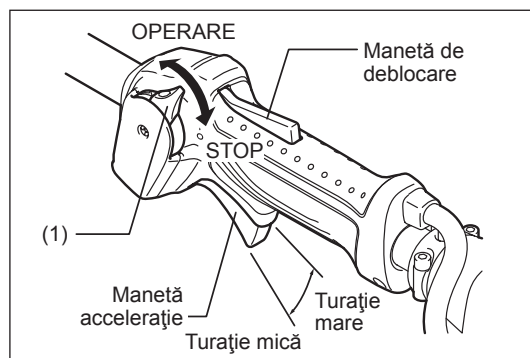
Respectați reglementările aplicabile privind prevenirea accidentelor!

### PORNIRE

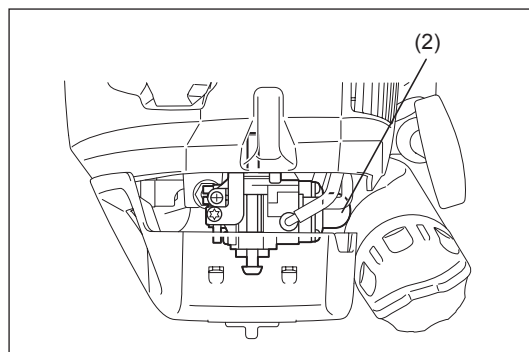
Deplasați-vă la distanță de cel puțin 3 m față de locul de realimentare cu carburant. Plasați mașina de tuns gardul viu pe o porțiune curată de sol având grijă ca lamele de tăiere să nu intre în contact cu solul sau alte obiecte.

#### A: Pornirea la rece

- 1) Puneți această mașină pe o suprafață dreaptă.
- 2) Puneți comutatorul I-O (1) în poziția OPERARE.



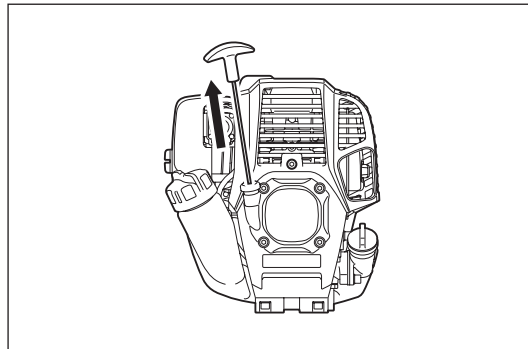
- 3) Pompă de amorsare  
Continuați să apăsați pompa de amorsare (2) până când carburantul intră în pompa de amorsare. (În general, carburantul intră în pompa de amorsare după 7 sau 10 apăsări.) Dacă pompa de amorsare este apăsată excesiv, surplusul de benzină se întoarce în rezervorul de carburant.



- 4) Demaror cu rapel  
Trageți ușor maneta pentru demaror, până când devine dificil de tras (punct de compresie). Apoi, reveniți cu maneta pentru demaror și trageți-o puternic. Nu trageți niciodată cablul la maxim. Odată ce maneta pentru demaror este trasă, nu retrageți mâna imediat. Țineți maneta pentru demaror până când aceasta revine în poziția sa inițială.

- 5) Operația de încălzire  
Continuați operația de încălzire pentru 2 până la 3 minute.

NOTĂ: În cazul admisiei excesive de carburant, scoateți bujia și trageți de mânerul demarorului încet pentru a îndepărta carburantul în exces. De asemenea, uscați secțiunea electrodului bujiei.



#### **B: Pornire după operația de încălzire**

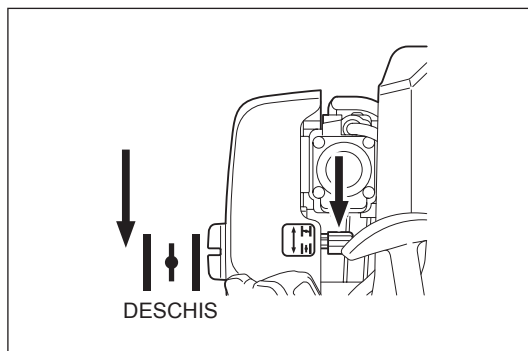
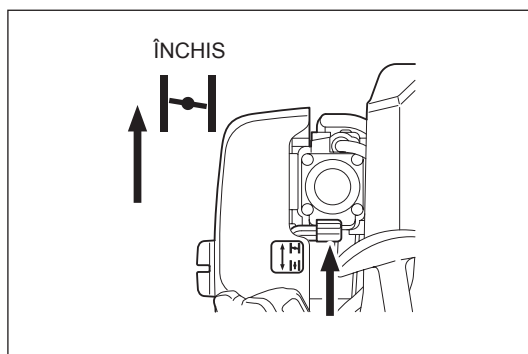
- 1) Apăsăți ușor pompa de amorsare în mod repetat.
- 2) Țineți maneta de accelerație în poziția de ralanti.
- 3) Trageți puternic de demarorul cu rapel.
- 4) Dacă este dificil să porniți motorul, deschideți accelerația cu aproximativ 1/3. Acordați atenție lamelor de tăiere care se pot deplasa.

#### **Uneori, de exemplu pe timpul iernii, când pornirea motorului este dificilă, operați maneta de șoc în modul următor la pornirea motorului.**

- După implementarea etapelor de pornire 1) - 3), setați maneta de șoc la poziția ÎNCHIS.
- Implementați etapa de pornire 4) și porniți motorul.
- După pornirea motorului, setați maneta de șoc la poziția DESCHIS.
- Implementați etapa de pornire 5) și finalizați încălzirea.

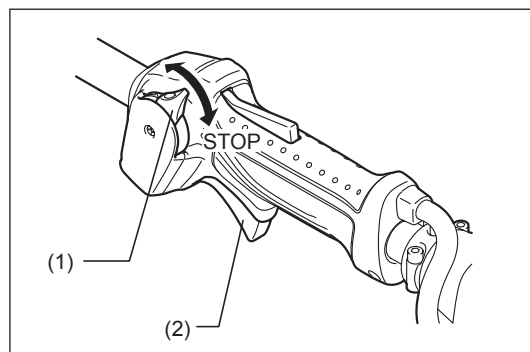
ATENȚIE: Dacă este auzit un sunet puternic (de explozie), iar motorul se oprește, sau motorul calează imediat după pornire înainte ca maneta de șoc să fie acționată, readuceți maneta de șoc în poziția DESCHIS și trageți maneta pentru demaror de câteva ori pentru a porni motorul.

ATENȚIE: Dacă maneta de șoc este lăsată în poziția ÎNCHIS, iar maneta pentru demaror este trasă insuficient, va fi absorbit prea mult carburant, iar motorul va fi dificil de pornit.



## OPRIRE

- 1) Eliberați maneta de accelerație (2) complet și când turația motorului a scăzut, setați comutatorul I-O (1) la STOP, motorul se va opri în acest moment.
- 2) Fiți atenți la capul de tăiere care s-ar putea să nu se oprească imediat și lăsați-l să încetinească complet.

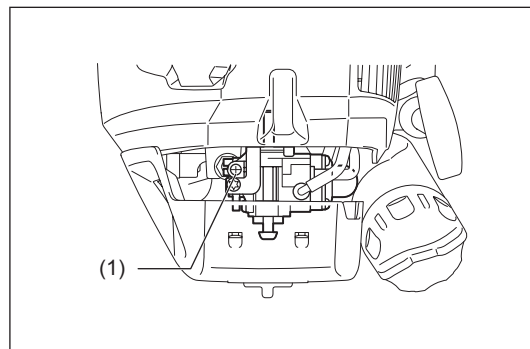


## REGLAREA ROTAȚIEI LA TURAȚIE JOASĂ (RALANTI)

Atunci când este necesar să reglați rotația la turație joasă (ralanti), efectuați-o de la șurubul de reglare carburator (1).

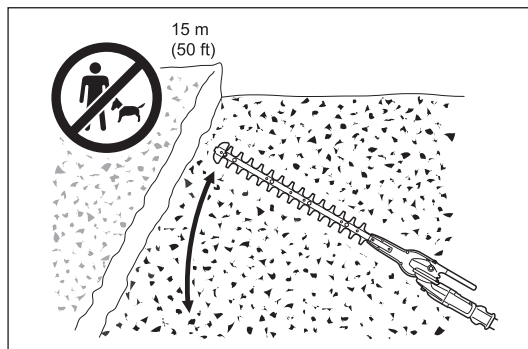
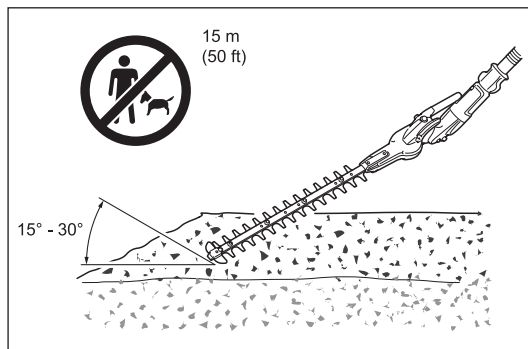
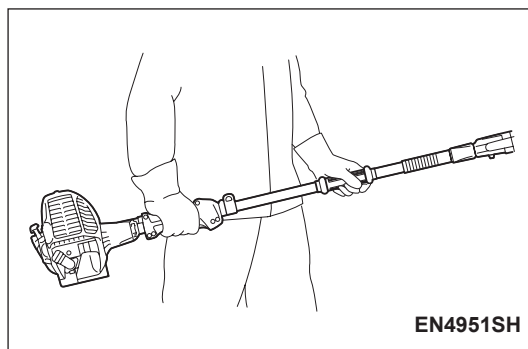
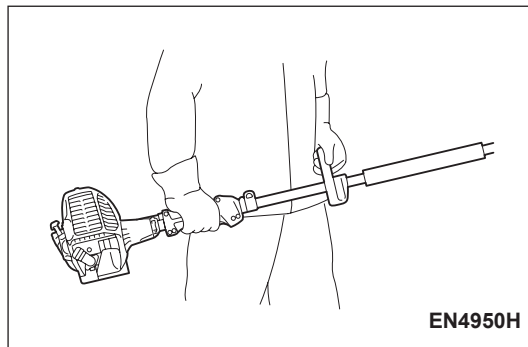
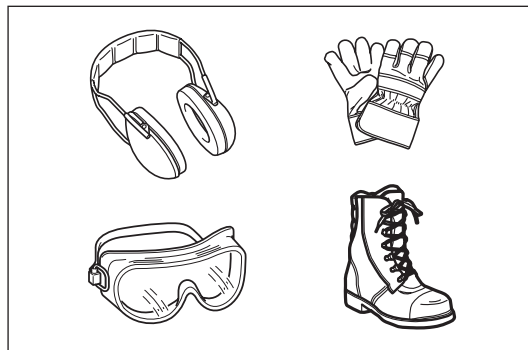
## VERIFICAREA ROTAȚIEI LA TURAȚIE JOASĂ

- Setați rotația la turație joasă la 3.000 rpm (/min). Dacă este necesar să schimbați viteza de rotație, reglați șurubul de reglare (1), cu șurubelnița cu cap în cruce.
- Rotiți șurubul de reglare la dreapta și turația motorului va crește. Rotiți șurubul de reglare la stânga și turația motorului va scădea.
- Carburatorul este în general reglat înainte de livrare. Dacă este necesar să-l reglați din nou, vă rugăm să contactați centrul de service autorizat.



## OPERAREA MAȘINII DE TUNS GARDUL VIU

- Nu atingeți porțiunea lamei de tăiere a mașinii de tuns gardul viu în timpul operării sau când funcționează motorul.
- Aveți foarte mare grijă să nu inhalați gazele de eșapament atunci când lucrați cu mașina de tuns gardul viu. Nu utilizați niciodată mașina de tuns gardul viu într-o încăpere închisă sau într-o zonă fără aerisire suficientă (pericol de sufocare și de otrăvire cu gaze). Rețineți că monoxidul de carbon este un gaz inodor, însemnând că nu poate fi detectat prin miros.
- Purtați întotdeauna îmbrăcăminte de protecție adecvată înainte de a începe să lucrați cu mașina de tuns gardul viu.
- Motorul trebuie oprit imediat dacă toba de eșapament nu funcționează corespunzător.
- Utilizați mașina de tuns gardul viu doar în condiții de bună vizibilitate și lumină.
- Nu operați mașina de tuns gardul viu pe întuneric sau în condiții de ceață. Feriți-vă de zone alunecoase și umede (gheață și zăpadă) în timpul sezonului rece și asigurați-vă întotdeauna o poziție stabilă.
- Nu utilizați niciodată mașina de tuns gardul viu în timp ce vă aflați pe o suprafață instabilă sau pe o pantă abruptă.
- Nu utilizați niciodată mașina de tuns gardul viu în timp ce staționați pe o scară.
- Nu vă urcați niciodată într-un copac pentru a utiliza mașina de tuns gardul viu dintr-un copac.
- Verificați continuu zona de lucru pentru identificarea sârmelor, cablurilor, sticlelor sau altor obiecte străine care se pot prinde de lamele de tăiere.
- Asigurați-vă că lamele de tăiere nu se află în mișcare rapidă înainte de a porni operațiunea de tăiere.
- Prindeți întotdeauna mașina de tăiat gardul viu cu ambele mâini și mențineți întotdeauna o priză fermă când lucrați cu mașina.
- Pentru a asigura controlul optim al mașinii de tuns gardul viu, prindeți bine cu mâinile mânerul (utilizați degetul mare pentru contra presiune) și mențineți o aderență fermă a mânerelor.
- Rețineți că lamele de tăiere vor rămâne în mișcare până la două secunde după eliberarea manetei de accelerație.
- Nu tăiați cu mașina de tuns gardul viu la turație redusă a motorului.
- Viteza lamelor de tăiere nu poate fi reglată corespunzător cu maneta de accelerație când motorul funcționează la viteză redusă.
- Pentru a tunde partea de sus a unui gard viu, aliniați mai întâi lamele de tăiere la un unghi de 15° - 30° în direcția de tăiere și mențineți mașina de tuns gardul viu în poziție orizontală. Ulterior, începeți să tundeți gardul viu utilizând o mișcare oscilatorie, foarte asemănătoare trasării segmentelor de cerc cu arborele mașinii de tuns gardul viu.
- Pentru a tunde părțile laterale ale unui gard viu, aliniați lamele paralel cu suprafața de tăiere și începeți să tundeți cu mișcări semicirculare în sus (jos-sus).
- Acordați atenție la tăierea unui gard viu care este apropiat de un gard de sârmă sau a crescut prin acesta.
- Evitați contactul dintre lamele de tăiere și obiecte dure, precum garduri din sârmă, pietre sau cu solul. Lamele se vor fisura, ciobi sau distruge.
- Nu folosiți mașina de tuns gardul viu pe o perioadă extinsă de timp. Ca regulă generală, pentru fiecare 50 de minute de operare, luați o pauză de 10-20 de minute.
- Dacă lamele de tăiere intră în contact cu pietre sau alte obiecte solide, opriți imediat motorul și verificați dacă lamele nu s-au deteriorat. Înlocuiți lamele dacă s-au deteriorat.
- Dacă mașina de tuns gardul viu întâmpină o problemă în timpul operării (zgomote ciudate, vibrații, etc.), opriți imediat motorul. Nu utilizați mașina până la identificarea și soluționarea problemei.
- Faceți întotdeauna tot ce vă stă în putință pentru a păstra nivelul de poluare și emisiile de zgomot cât mai reduse posibil atunci când utilizați mașina de tuns gardul viu. Acordați o atenție specială reglării corecte a carburatorului.
- Dacă în lamele de tăiere rămân blocate ramuri groase, opriți imediat motorul, așezați jos echipamentul și apoi înlăturați obstacolul. Verificați dacă lamele nu s-au deteriorat înainte de a utiliza din nou mașina.





## Reglarea unghiului de tăiere

### Avertisment:

- Nu utilizați mașina cu unitatea de tăiere desprinsă și instabilă.

Puteți regla unghiul de tăiere în sus la 45° și în jos la 90°.

1. Opriți motorul mașinii de tuns gardul viu și așezați mașina pe sol.
2. Pentru a regla unghiul unității de tăiere, țineți mânerul (A) unității de tăiere cu o mână și țineți dispozitivul de blocare unghiular (B) cu cealaltă mână, conform ilustrațiilor.
3. Trageți ușor dispozitivul de blocare unghiular și modificați unghiul unității de tăiere. După reglarea unghiului, readuceți ușor în poziție dispozitivul de blocare unghiular.

### Notă:

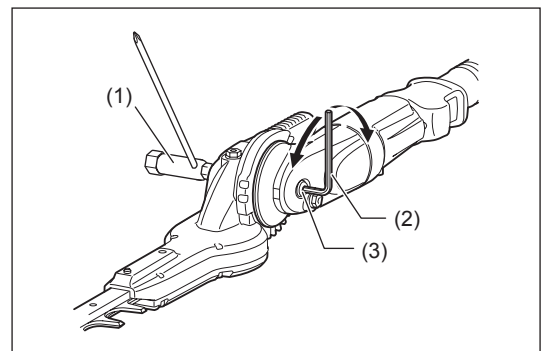
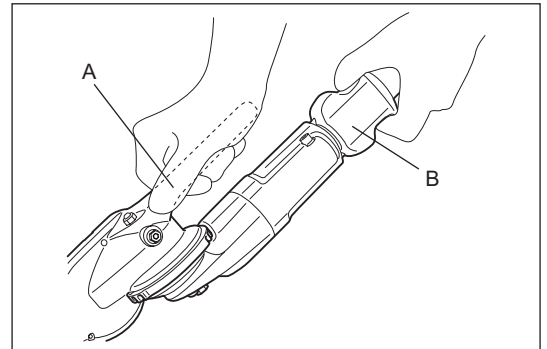
- Unitatea de tăiere este fixată numai la anumite unghiuri de-a lungul canalului de pe unitate. Asigurați-vă că unitatea de tăiere este așezată corespunzător. Dacă unghiul nu este corespunzător, ambreiajul este decuplat și mașina nu funcționează.
- Nu reglați unitatea de tăiere în timp ce mașina de tuns gardul viu se află în poziție verticală.
- Deplasați comutatorul I-O în poziția "O" și așezați mașina de tuns gardul viu pe sol pentru a regla unghiul de tăiere.
- Asigurați întotdeauna lamele cu apărătoarea lamei furnizată înainte de reglarea unghiului de tăiere.

În cazul în care unitatea de tăiere este desprinsă, șurubul (axa reglării unghiului) trebuie strâns.

1. Poziționați cheia tubulară (1) și cheia hexagonală (2) pe șurub (3).
2. Reglați strângerea unității de tăiere rotind cheia hexagonală și apoi strângeți șurubul rotind cheia tubulară.

### Notă:

- Nu strângeți prea tare unitatea de tăiere. Unghiul unității de tăiere nu poate fi modificat dacă este prea strâns.



## ÎNȚREȚINERE

- Înainte de a efectua orice lucrări de întreținere asupra mașinii de tuns gardul viu (curățarea lamelor, etc.), opriți întotdeauna motorul și așteptați să se răcească. Ca o măsură de precauție suplimentară, îndepărtați, de asemenea, capacul bujiei.
- Nu încercați să îndreptați sau să sudați lamele de tăiere îndoite sau rupte. Înlocuiți întotdeauna lamele deteriorate.
- Opriți motorul la intervale regulate pentru a verifica lamele de tăiere împotriva posibilelor daune (efecuați un test de rezonanță la lovire ușoară pentru a detecta fisurile capilare greu de observat). Asigurați-vă întotdeauna că dinții lamelor sunt ascuțiți.
- Curățați regulat mașina de tuns gardul viu. În timpul curățării, asigurați-vă, de asemenea, că toate șuruburile, piulițele și bolțurile sunt bine prinse.
- Pentru a reduce riscul de incendiu, nu efectuați lucrări de service asupra mașinii de tuns gardul viu în apropierea flăcărilor deschise.
- Purtați întotdeauna mănuși de protecție rezistente când manevrați lamele de tăiere.
- Contactați distribuitorul pentru înlocuirea lamelor de tăiere.
- Nu utilizați gazolină, benzină, diluant, alcool sau alte substanțe asemănătoare pentru curățare. În caz contrar, pot rezulta decolorări, deformări sau fisuri.

### Ascuțirea lamei

Dacă lamele de tăiere s-au tocit și performanțele de tăiere sunt slabe, contactați un agent de service autorizat pentru ascuțirea lamelor.

### Reglarea jocului lamelor

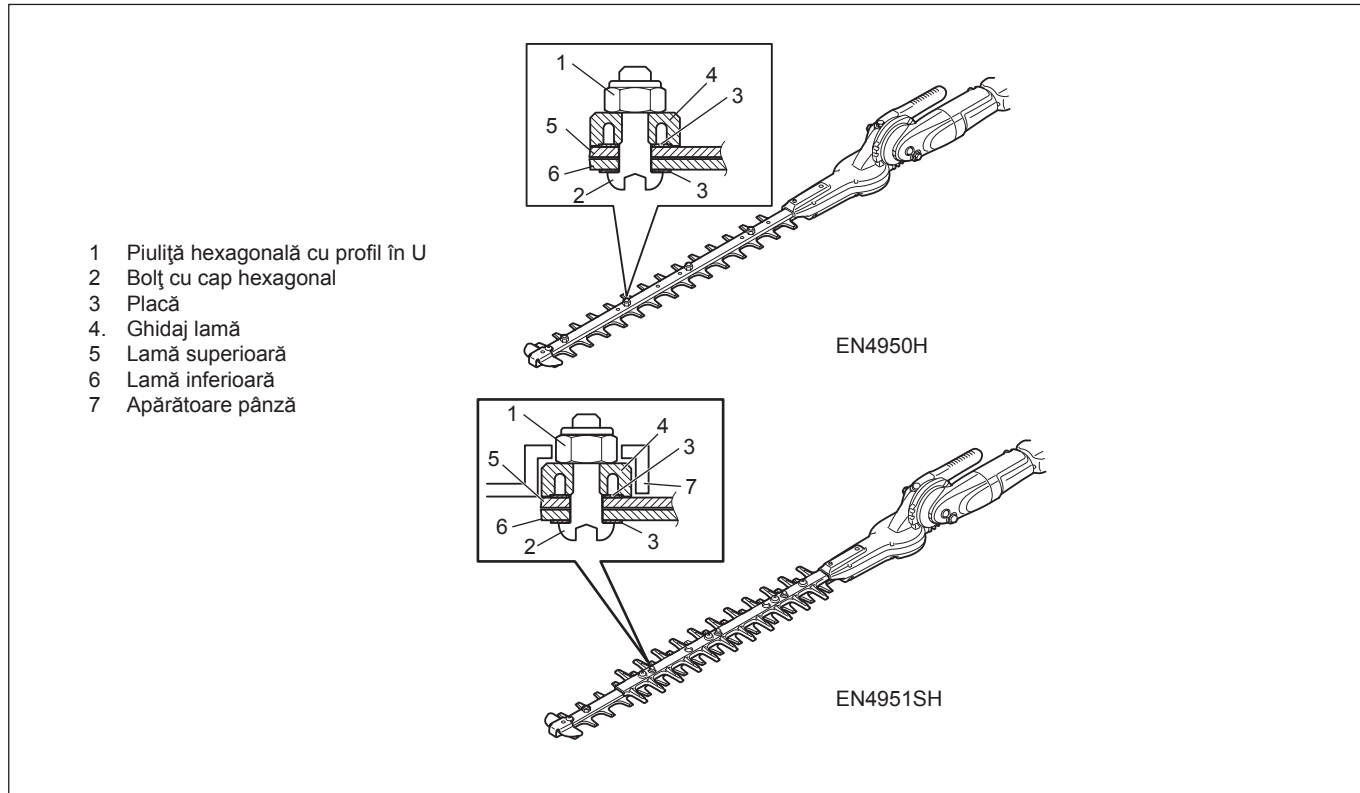
Lamele superioare/inferioare se uzează treptat după operare. Dacă nu puteți obține o tăiere corectă, deși lamele sunt suficient de ascuțite, reglați jocul în modul următor.

Strângerea bolțului cu cap hexagonal determină jocul lamelor. Piulița strânge bolțul cu cap hexagonal cu o anumită putere. Jocul prea mare cauzează tocirea, dar jocul prea mic produce o căldură inutilă care duce la uzura prematură a lamelor.

1. Slăbiți piulița (1) cu o cheie fixă cu cap deschis sau cu o cheie tubulară.
2. Strângeți bolțul cu cap hexagonal (2) cu o cheie hexagonală până când se oprește. Ulterior, înșurubați din nou între un sfert de tură și o jumătate de tură pentru a asigura jocul necesar.
3. Strângeți piulița (1), ținând bolțul cu cap hexagonal (2).
4. Aplicați ulei ușor pe suprafața de fricțiune a lamelor.
5. Porniți motorul și cuplați și decuplați accelerația timp de un minut.
6. Opriți motorul și atingeți suprafața. Dacă acestea nu sunt prea fierbinți la atingere, atunci ați efectuat o reglare corectă. Dacă acestea sunt prea fierbinți pentru a putea fi atinse, atunci deșurubați încă puțin bolțul cu cap hexagonal (2) și repetați pașii 5 - 6.

NOTĂ: Înainte de efectuarea oricărei reglări, opriți motorul și așteptați oprirea lamelor.

Lamele au un slot în jurul bolțului cu cap hexagonal (2). În cazul în care depistați praf în capătul sloturilor, curățați.

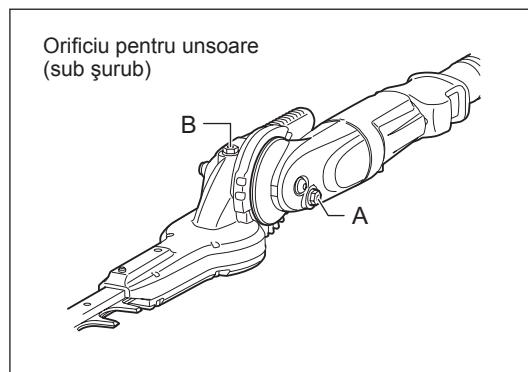


## Adăugarea de unsoare și lubrifiant

**Important: Asigurați-vă că suprafața cutiei de viteze este complet rece înainte de lubrifiere.**

- Cutia de viteze a mașinii de tuns gardul viu trebuie unsă la fiecare 25 de ore lucrătoare. Orificiul pentru unsoare este localizat sub șurub. Îndepărtați șurubul pentru lubrifiere. Adăugați aproximativ 3 g (4 cc) de lubrifiant la punctul A al cutiei de viteze și 5 g (7 cc) de lubrifiant la punctul B prin intermediul orificiului pentru unsoare. Remontați șurubul după lubrifiere. După umplerea cantității corecte de unsoare, pe la baza lamei va ieși puțină unsoare în timpul primei operări.

**ATENȚIE:** Respectați intervalele de ungere și cantitatea de unsoare care trebuie aplicată.  
Componentele mecanice ale mașinii de tuns gardul viu se pot deteriora dacă unsoarea nu este aplicată la intervalele prescrise sau dacă este adăugată o cantitate insuficientă de unsoare.



## Inspecție și întreținere zilnică

Pentru a asigura o durată lungă de viață a mașinii dumneavoastră de tuns gardul viu, efectuați următoarele inspecții și lucrări de întreținere în regim zilnic.

- Înainte de utilizare;
  - Verificați întotdeauna piesele desprinse sau lipsă înainte de a începe utilizarea. Acordați o atenție specială unității de tăiere și asigurați-vă că șuruburile de blocare a lamelor de tăiere sunt bine strânse.
  - Verificați eventuala înfundare a pasajelor de aer de răcire și a aripioarelor de răcire a cilindrului înainte de a începe utilizarea. Curățați-le dacă este necesar.
- După utilizare;
  - Curățați exteriorul mașinii de tuns gardul viu și verificați eventualele urme de uzură.
  - Curățați filtrul de aer. Curățați filtrul de mai multe ori pe zi atunci când lucrați în condiții cu foarte mult praf.
  - Verificați lamele de tăiere împotriva deteriorării. Asigurați-vă că lamele sunt montate corect.
  - Dacă în condiții de ralanti lamele de tăiere continuă să se rotească după reglare, consultați cel mai apropiat agent de service autorizat.

## ÎNLOCUIREA ULEIULUI DE MOTOR

Uleiul de motor deteriorat va reduce mult durata de funcționare a pieselor culisante și în rotație. Asigurați-vă că ați verificat perioada și cantitatea de înlocuit.



**PERICOL:** În general, unitatea principală a motorului și uleiul de motor rămân calde în continuare imediat după ce motorul este oprit. La înlocuirea uleiului, asigurați-vă că unitatea principală a motorului și uleiul de motor sunt suficient de reci. Altfel, poate exista în continuare risc de arsuri. După oprirea motorului, acordați o perioadă suficientă de timp pentru ca uleiul de motor să revină în rezervorul de ulei pentru a asigura citirea corectă a indicatorului nivelului de ulei.

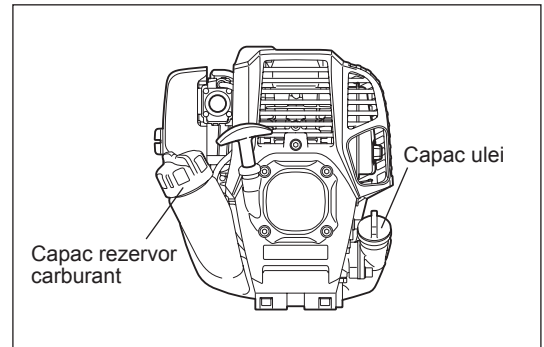
**NOTĂ:** Dacă uleiul este umplut peste limită, acesta se poate murdări sau se poate aprinde degajând un fum alb.

**Interval de înlocuire:** După primele 20 de ore de operare, și ulterior la fiecare 50 de ore de operare

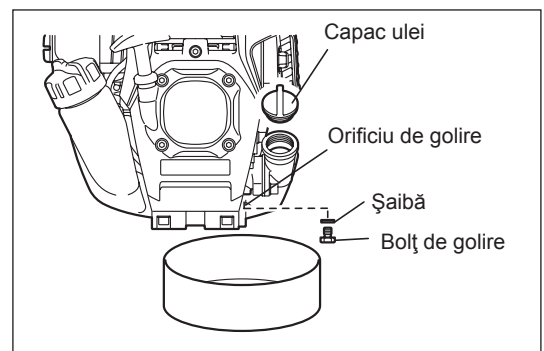
**Ulei recomandat:** Ulei SAE 10W-30 de categorie API, clasa SF sau superioară (motor în 4 timpi pentru automobile)

La înlocuire, efectuați următoarea procedură.

- 1) Verificați strângerea sigură a capacului rezervorului de carburant.
- 2) Amplasați un recipient mare (tavă, etc.) sub orificiul de golire.



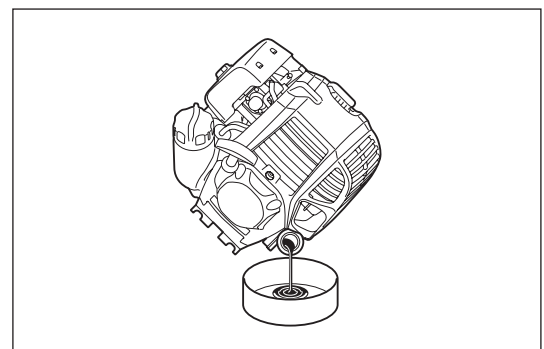
- 3) Scoateți bolțul de golire, iar apoi scoateți capacul de ulei pentru a evacua uleiul prin orificiul de golire. În acest moment, acordați o atenție maximă pentru a nu pierde șaibele bolțului de golire și pentru a nu murdări componentele demontate.
- 4) După evacuarea întregii cantități de ulei, îmbinați șaiba cu bolțul de golire și strângeți ferm bolțul, astfel încât acesta să nu se poată desface cauzând scurgeri.  
\* Utilizați o cârpă pentru a șterge complet orice urme de ulei de pe bolț sau echipament.



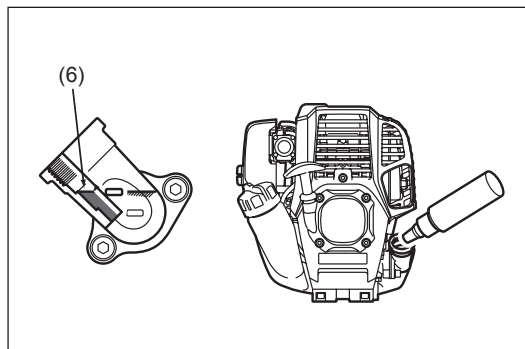
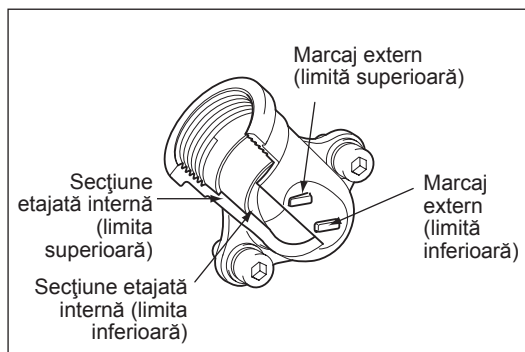
### Metodă alternativă de golire

Scoateți capacul de ulei, înclinați mașina de tuns gardul viu spre orificiul de umplere cu ulei și goliți uleiul.

Colectați uleiul în recipient.



- 5) Setați nivelul motorului și umpleți gradual până la marcajul de limită superioară (6), cu ulei nou.
- 6) După umplere, strângeți ferm capacul de ulei, astfel încât acesta să nu se poată desface, cauzând scurgeri. În cazul în care capacul de ulei nu este strâns ferm, pot apărea scurgeri.



#### ASPECTE PRIVIND ULEIUL

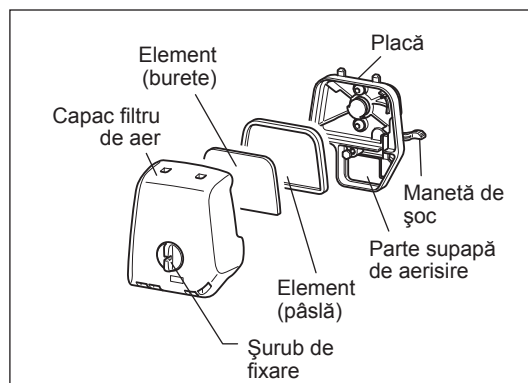
- Este interzis să aruncați uleiul de motor înlocuit la un loc cu gunoiul menajer, pe pământ sau în canalizare. Eliminarea uleiului este reglementată prin lege.
- La eliminare, respectați întotdeauna legile și regulamentele relevante. Pentru orice nelămuriri, contactați agentul de service autorizat.
- Uleiul se va deteriora chiar când nu este utilizat. Efectuați inspecția și înlocuirea la intervale regulate (înlocuiți cu ulei nou la fiecare 6 luni).

#### Curățarea filtrului de aer

##### PERICOL: Produsele inflamabile strict interzise

Verificați și curățați filtrul de aer zilnic sau la fiecare 10 ore de operare.

- Rotați maneta de șoc în partea corespunzătoare poziției complet închis și feriți carburatorul de praf sau murdărie.
- Slăbiți șurubul de fixare.
- Îndepărtați capacul filtrului de aer, trăgând de partea de jos.
- Scoateți elementele și loviți-le pentru a îndepărta murdăria.
- Dacă elementele sunt extrem de contaminate: Scoateți elementele, introduceți-le în apă caldă sau în detergent neutru diluat cu apă și uscați-le complet. Nu le strângeți și nu le frecați în timpul spălării.
- Înainte de a atașa elementele, asigurați-vă că s-au uscat complet. Uscarea insuficientă a elementelor poate duce la pornirea dificilă.
- Ștergeți cu o cârpă uleiul care a aderat în jurul capacului filtrului de aer și al părții de supapă de aerisire.
- Montați elementul (burete) în elementul (pâslă).
- Montați elementele în placă, astfel încât buretele să fie orientat spre capacul filtrului de aer.
- Atașați imediat capacul filtrului și strângeți-l cu șuruburi de fixare. (La remontare, plasați mai întâi clichetul superior și apoi clichetul inferior.)



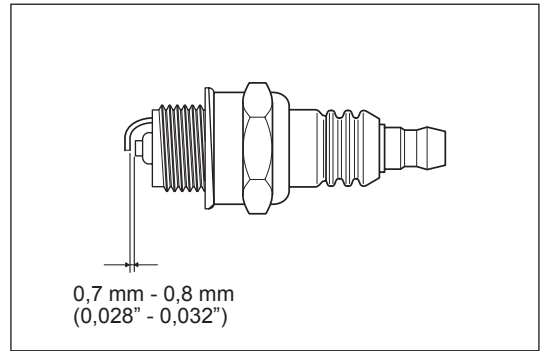
#### NOTĂ:

- Curățați elementele de mai multe ori pe zi, dacă praful în exces aderă la acestea. Elementele murdare reduc puterea motorului și îngreunează pornirea acestuia.
- Ștergeți uleiul de pe elemente. Dacă funcționarea continuă cu elementele necurățate de ulei, uleiul din filtrul de aer poate ieși, rezultând contaminarea mediului înconjurător.
- Nu puneți elementele pe sol sau într-un loc murdar. Acestea pot acumula murdărie sau resturi, putând deteriora motorul.
- Nu utilizați niciodată carburant pentru a curăța elementele. Carburantul le poate deteriora.

## VERIFICAREA BUJIEI

- Utilizați doar cheia universală furnizată pentru a scoate sau a instala bujia.
- Distanța dintre cei doi electrozi ai bujiei trebuie să fie 0,7 - 0,8 mm (0,028" - 0,032"). Dacă distanța este prea mare sau prea mică, reglați-o. Dacă bujia este înfundată sau contaminată, curățați-o bine sau înlocuiți-o.

**ATENȚIE:** Nu atingeți fișa bujiei în timp ce motorul funcționează (pericol de șoc electric la tensiune înaltă).



## Curățarea filtrului de carburant (capul de aspirație din rezervorul de carburant)

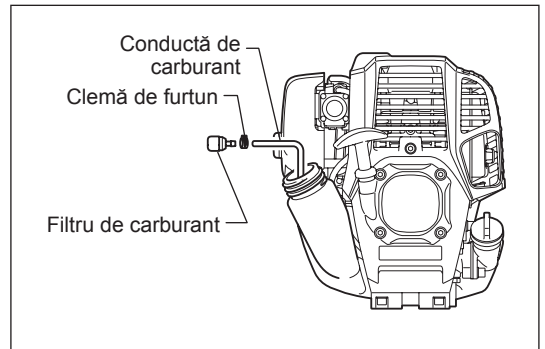
### AVERTISMENT: PRODUSELE INFLAMABILE STRICT INTERZISE

Verificați și curățați filtrul de carburant lunar sau la fiecare 50 ore de operare.

Verificați filtrul de carburant periodic. Pentru a verifica filtrul de carburant, urmați pașii prezentați mai jos.

- (1) Scoateți capacul rezervorului de carburant și scurgeți carburantul până la golirea rezervorului. Verificați dacă există materiale străine în interiorul rezervorului. Dacă există, eliminați-le.
- (2) Scoateți capul de aspirație folosind o clemă de sârmă prin orificiul rezervorului.
- (3) Dacă filtrul de carburant este ușor înfundat, curățați-l. Pentru a-l curăța, scuturați-l și loviți-l ușor în carburant. Pentru a evita deteriorarea acestuia, nu-l strângeți și nu-l frecați. Carburantul folosit pentru curățare trebuie să fie eliminat conform metodei specificate prin reglementările din țara dumneavoastră. Dacă filtrul de carburant s-a întărit sau este foarte înfundat, înlocuiți-l.
- (4) După verificare, curățare sau înlocuire, împingeți filtrul de carburant până la baza rezervorului de carburant.

Filtrul de carburant înfundat sau deteriorat poate duce la o alimentare insuficientă cu carburant și la reducerea puterii motorului. Înlocuiți filtrul de carburant cel puțin trimestrial, pentru a asigura o alimentare suficientă cu carburant a carburatorului.



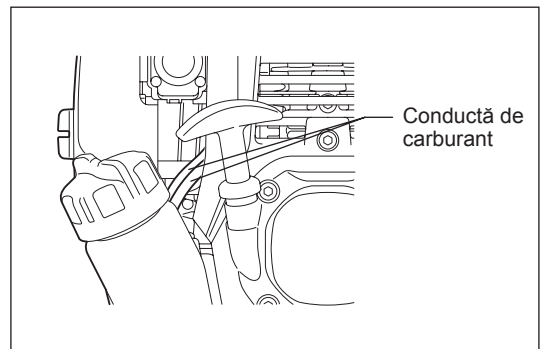
## Înlocuirea conductei de carburant

### ATENȚIE: Produsele inflamabile strict interzise

Verificați și curățați conducta de carburant zilnic sau la fiecare 10 ore de operare.

Înlocuiți conducta de carburant la fiecare 200 de ore de operare sau în fiecare an, indiferent de frecvența de folosire. În caz contrar, scurgerea de carburant poate provoca incendii.

Dacă este detectată o scurgere în timpul inspecției, înlocuiți imediat conducta de carburant.



## INSPECȚIA BOLȚURILOR, PIULIȚELOR ȘI ȘURUBURILOR

- Strângeți din nou șuruburile, piulițele etc. slăbite.
- Verificați dacă există scurgeri de carburant și ulei.
- Înlocuiți piesele deteriorate cu unele noi pentru operare în siguranță.

## CURĂȚAREA PIESELOR

- Păstrați motorul curat ștergându-l cu o cârpă.
- Păstrați aripioarele cilindrului necontaminate cu praf și murdărie. Praful sau murdăria care aderă la aripioare vor cauza griparea pistonului.

## ÎNLOCUIREA ȘAIBELOR ȘI ETANȘĂRILOR

Înlocuiți șaibele și etanșările dacă motorul este dezasamblat.

Pentru orice lucrare de întreținere sau reglare care nu este descrisă în acest manual, vă rugăm să contactați centrul local de service autorizat MAKITA.

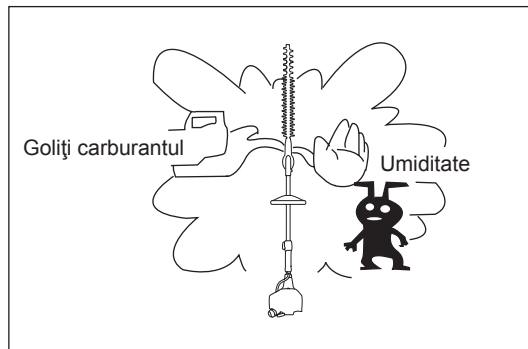
## DEPOZITARE

**AVERTISMENT:** Atunci când goliți carburantul, opriți motorul și așteptați ca motorul să se răcească.

În caz contrar, se pot produce arsuri sau incendii.

**ATENȚIE:** Când depozitați mașina pentru o perioadă lungă de timp, goliți tot carburantul din rezervorul de carburant și carburator și depozitați-l într-un loc uscat și curat.

- Goliți carburantul din rezervorul de carburant și carburator conform următoarei proceduri:
  - 1) Scoateți capacul rezervorului de carburant și goliți complet carburantul. Dacă există materiale străine rămase în rezervorul de carburant, scoateți-l complet.
  - 2) Trageți afară filtrul de carburant din orificiul de completare utilizând o sârmă.
  - 3) Apăsăți pompa de amorsare până când carburantul este golit din ea și goliți carburantul care provine din rezervorul de carburant.
  - 4) Remontați filtrul pe rezervorul de carburant și strângeți bine capacul rezervorului de carburant.
  - 5) Apoi, lăsați motorul să opereze în continuare până când se oprește.
- Scoateți bujia și picurați câteva picături de ulei de motor prin orificiul bujiei.
- Trageți ușor mânerul demarorului astfel încât uleiul de motor se va răspândi în motor și atașați bujia.
- Atașați capacul la lamele de tăiere.
- În general, depozitați mașina în poziție orizontală. Dacă acest lucru nu este posibil, amplasați mașina astfel încât unitatea motorului să se afle sub dispozitivul de tăiere. În caz contrar, uleiul de motor se poate scurge din interior.
- Acordați întotdeauna atenție depozitării mașinii într-un loc sigur, pentru a preveni defectarea acesteia și accidentările personale.
- Depozitați uleiul golit într-un recipient special într-un adăpost bine ventilat.



**Atenție după depozitare pe termen lung**

- Înainte de pornire după o perioadă lungă de nefuncționare, asigurați-vă că înlocuiți uleiul (consultați P92). Uleiul se va deteriora în timp ce mașina nu operează.

Element	Tim de operare	Înainte de operare	Zilnic (10 h)	25h	50 h	200 h	Oprire/pauză	Corespunzător P
Ulei de motor	Inspectați	○						83
	Înlocuiți				○ <sup>*1</sup>			92
Strângere piese (șurub, piuliță)	Inspectați	○						94
Rezervor de carburant	Curățați/inspectați	○						-
	Goliți carburantul						○ <sup>*3</sup>	95
Manetă accelerație	Verificați funcționarea	○						85
Comutator Stop	Verificați funcționarea	○						85, 87
Lame de tăiere	Inspectați	○	○					85, 90
Rotație la turație joasă	Inspectați/reglați		○					87
Filtru de aer	Curățați-l		○					93
Bujie	Inspectați		○					94
Conductă aer răcire	Curățați/inspectați		○					94
Conductă de carburant	Inspectați		○					94
	Înlocuiți						⊙ <sup>*2</sup>	-
Unsoare carcasă angrenaj	Completați			○				91
Filtru de carburant	Curățați/înlocuiți				○			94
Distanță între supapa de admisie aer și supapa de evacuare aer	Reglați						⊙ <sup>*2</sup>	-
Revizie motor							⊙ <sup>*2</sup>	-
Carburator	Goliți carburantul						○ <sup>*3</sup>	95

\*1 Efectuați înlocuirea inițială după 20 h de operare.

\*2 Pentru inspecția de la 200 de ore de operare, apălați la un agent de service autorizat sau la un atelier mecanic.

\*3 După golirea rezervorului de carburant, lăsați motorul să funcționeze în continuare și goliți carburantul din carburator.



## DEPANARE

Înainte de a efectua o solicitare de reparație, căutați chiar dumneavoastră defectul. Dacă sunt detectate anomalii, controlați unele conform descrierii din acest manual. Este interzis să modificați sau să demontați orice piesă contrar descrierii. Pentru reparații, contactați agentul de service autorizat sau reprezentanța locală.

Stare de anomalie	Cauză probabilă (defecțiune)	Remediu
Motorul nu pornește	Pompa de amorsare nu operează	Apăsați de 7 până la 10 ori
	Viteză mică de tragere a cablului demarorului	Trageți puternic
	Lipsă carburant	Alimentați cu carburant
	Filtru de carburant înfundat	Curățați-l
	Tub de carburant spart	Îndreptați tubul de carburant
	Carburant deteriorat	Carburantul deteriorat face pornirea mai dificilă. Înlocuiți cu altul nou. (Înlocuire recomandată: 1 lună)
	Aspirație excesivă de carburant	Setați maneta de accelerație de la turație medie la turație mare și trageți mânerul demarorului până când motorul pornește. <b>După ce motorul pornește, lamele de tăiere începe să se miște. Acordați atenție maximă lamelor de tăiere.</b> Dacă motorul tot nu pornește, scoateți bujia, uscați electrodul și remontați-le în poziția originală. Apoi, porniți după cum este specificat.
	Fișă bujie detașată	Atașați-o corespunzător
	Bujie contaminată	Curățați-l
	Distanță anormală între electrozii bujiei	Reglați distanța
	Altă anomalie a bujiei	Înlocuiți
	Carburator anormal	Solicitați inspecție și întreținere.
	Cablul demarorului nu poate fi tras	Solicitați inspecție și întreținere.
	Sistem de transmisie anormal	Solicitați inspecție și întreținere.
Motorul se oprește rapid Turația motorului nu crește	Încălzire insuficientă	Efectuați operația de încălzire
	Maneta de șoc este setată la "I" deși motorul este încălzit.	Poziționați la "II"
	Filtru de carburant înfundat	Curățați sau înlocuiți
	Filtru de aer contaminat sau înfundat	Curățați-l
	Carburator anormal	Solicitați inspecție și întreținere.
	Sistem de transmisie anormal	Solicitați inspecție și întreținere.
Lama de tăiere nu se mișcă ↓ Opriți motorul imediat	Unghi necorespunzător al unității de tăiere	Asigurați-vă că dispozitivul de blocare unghiular este cuplat corespunzător.
	Piulița de strângere a lamelor de tăiere este slăbită	Strângeți bine
	Crengi mici prinse în lamele de tăiere.	Scoateți corpul străin
	Sistem de transmisie anormal	Solicitați inspecție și întreținere.
Unitatea principală vibrează anormal ↓ Opriți motorul imediat	Lame de tăiere rupte, îndoite sau uzate	Înlocuiți lamele de tăiere
	Piulița de strângere a lamelor de tăiere este slăbită	Strângeți bine
	Sistem de transmisie anormal	Solicitați inspecție și întreținere.
Lamele de tăiere nu se opresc imediat ↓ Opriți motorul imediat	Rotație mare la ralanti	Reglați
	Cablu de accelerație detașat	Atașați-o corespunzător
	Sistem de transmisie anormal	Solicitați inspecție și întreținere.
Motorul nu se oprește ↓ Porniți motorul la ralanti și poziționați maneta de șoc la "I"	Fișă detașată	Atașați-o corespunzător
	Sistem electric anormal	Solicitați inspecție și întreținere.

Când motorul nu pornește după operația de încălzire:

Dacă nu se găsește nicio anomalie la elementele verificate, deschideți accelerația cu aproximativ 1/3 și porniți motorul.

Vielen Dank, dass Sie sich für den Heckenschneider von MAKITA entschieden haben. Wir freuen uns, Ihnen ein Produkt anbieten zu können, das ein Ergebnis eines umfangreichen Entwicklungsprogramms und vieler Jahre an Erkenntnissen und Erfahrungen darstellt.

Lesen Sie vor der Verwendung dieser Maschine diese Betriebsanleitung sorgfältig durch, und halten Sie alle in dieser Betriebsanleitung aufgeführten Anleitungen ein, damit ein ordnungsgemäßer Umgang mit diesem Heckenschneider von MAKITA gegeben ist. Nur so ist ein sicherer Umgang mit dieser Maschine gegeben, und Sie werden die bestmöglichen Ergebnisse mit Ihrem Heckenschneider von MAKITA erzielen.



## Inhaltsverzeichnis

## Seite

Symbole.....	98
Sicherheitsvorschriften .....	99
Technische Daten .....	104
Bezeichnung der Bauteile.....	105
Montage.....	106
Umhängeriem (Sonderzubehör).....	106
Kraftstoff/Betankung .....	107
Sicherheitsmassnahmen vor dem Starten des Motors.....	109
Betreiben des Heckenschneiders.....	112
Wartung .....	114
Aufbewahrung .....	119
Fehlersuche.....	121

## SYMBOLE

Achten Sie beim Lesen der Betriebsanleitung auf die folgenden Symbole.

	WARNUNG/GEFAHR		Gefahr von Quetsch- und Schnittverletzungen!
	Vor dem Gebrauch Anweisungen in dieser Betriebsanleitung sorgfältig lesen und verstehen		Auf elektrische Leitungen achten. Gefahr eines Stromschlags!
	VERBOTEN		Kraftstoff (Ottokraftstoff)
	Rauchen verboten!		Manuelles Starten des Motors
	Keine offenen Flammen!		Not-Aus
	Sicherheitsschuhe tragen		Erste Hilfe
	Schutzhandschuhe tragen		EIN/START
	Im Arbeitsbereich dürfen sich keine anderen Personen und keine Tiere aufhalten!		AUS/STOPP
	Schutzhelm, Schutzbrille und Gehörschutz tragen		

# SICHERHEITSVORSCHRIFTEN

## Allgemeine Sicherheitsregeln

- Lesen Sie vor der Benutzung dieser Maschine diese Betriebsanleitung durch, und machen Sie sich sorgfältig mit dem ordnungsgemäßen Umgang mit dem Heckenschneider vertraut. BEI UNSACHGEMÄSSEM UMGANG MIT DIESER MASCHINE KANN ES ZU SCHWEREN VERLETZUNGEN KOMMEN!
- Geben Sie detaillierte Anweisungen über den ordnungsgemäßen Umgang mit dem Heckenschneider, wenn Sie diese Maschine an eine andere Person aushändigen. Stellen Sie sicher, dass mit dem Heckenschneider auch diese Betriebsanleitung übergeben wird.
- Unerfahrene Benutzer sollten sich von Ihrem Händler eine Grundeinweisung in den ordnungsgemäßen Umgang mit dem Heckenschneider geben lassen.
- Bewahren Sie diese Betriebsanleitung an einem Ort auf, an dem es problemlos für ein weiteres Nachschlagen zugänglich ist.
- Personen unter 18 Jahren ist die Bedienung des Heckenschneiders nicht gestattet. Personen über 16 Jahren jedoch ist die Bedienung des Heckenschneiders für Ausbildungszwecke gestattet, wenn diese Personen unter ständiger Aufsicht eines Erwachsenen steht, der mit der Bedienung des Heckenschneiders vertraut ist.
- Verwenden Sie den Heckenschneider ständig mit äußerster Vorsicht und Aufmerksamkeit.
- Versuchen Sie niemals, technische Änderungen an der Maschine vorzunehmen.
- Halten Sie die in Ihrem Land geltenden Gesetze und Bestimmungen bezüglich des Umgangs mit Heckenschneidern ein.
- Eine Benutzung des Heckenschneiders unter den im Folgenden aufgeführten Umständen kann zu schweren Verletzungen führen. Benutzen Sie den Heckenschneider nicht:
  - wenn Sie sich ermüdet oder krank fühlen
  - Wenn Sie unter dem Einfluss von Alkohol und/oder Medikamenten stehen
  - nachts oder bei unzureichender Beleuchtung
  - während der Schwangerschaft

## Verwendungszweck

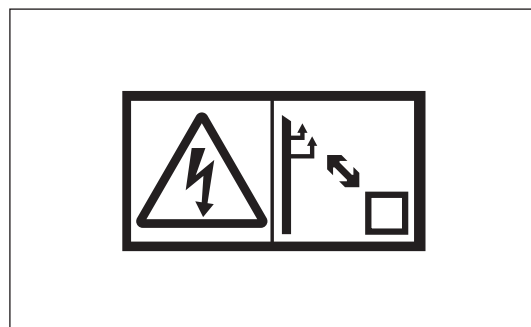
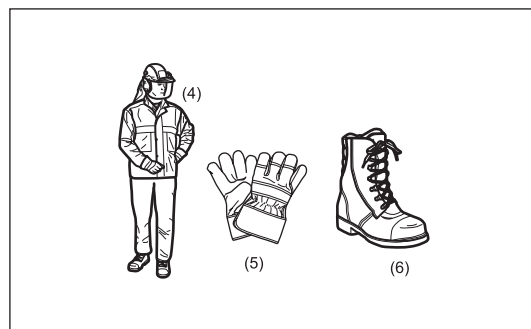
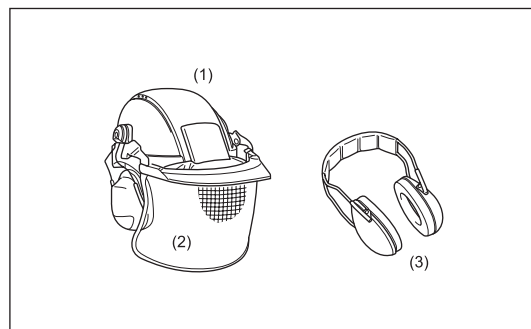
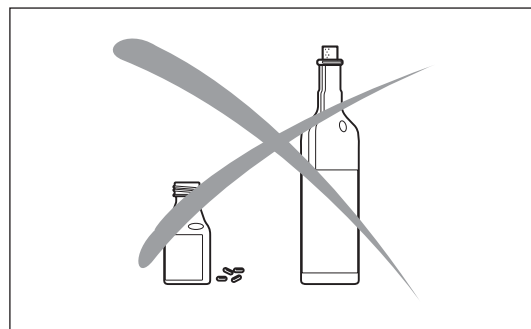
- Dieser Heckenschneider ist ausschließlich für das Trimmen von Hecken und Büschen vorgesehen. Verwenden Sie den Heckenschneider niemals für andere Zwecke.

## Persönliche Schutzausrüstung

- Tragen Sie zweckmäßige und geeignete Kleidung, die am Körper anliegt, jedoch nicht Ihre Bewegungen behindert. Tragen Sie keine weite Kleidung oder Schmuckstücke, die sich in Büschen, in Gestrüpp oder in der Maschine verfangen können.
- Um sich ausreichend gegen Verletzungen von Kopf, Augen, Füßen und Händen und gegen Gehörschäden zu schützen, ist bei Arbeiten mit dem Heckenschneider die im Folgenden aufgeführte Schutzausrüstung und Schutzkleidung zu tragen.
- Um Verletzungen des Kopfs und der Augen zu vermeiden, tragen Sie immer einen Schutzhelm (1) mit Schutzbrille oder Gesichtsschutz (2).
- Um Gehörschäden zu vermeiden, tragen Sie immer einen geeigneten Gehörschutz (3).
- Es wird dringen empfohlen, eine gut passende Arbeitskleidung (4) zu tragen.
- Tragen Sie beim Arbeiten mit dem Heckenschneider immer robuste Arbeitshandschuhe aus Leder (5).
- Tragen Sie beim Arbeiten mit dem Heckenschneider immer feste Schuhe (6) mit einer rutschfesten Sohle. Speziell ausgeführte Arbeitsschuhe sorgen für einen festen Stand und schützen vor Verletzungen.
- Tragen Sie beim Umgang mit Schneidmessern oder mit dem Schneidmesser Schutzhandschuhe. Schneidmesser können an ungeschützten Händen schwere Schnittwunden verursachen.

## Sicherheit am Arbeitsplatz

- ⚠ **GEFAHR:** Halten Sie den Heckenschneider fern von Elektro- und Datenleitungen. Bei Annäherung an oder gar Berührung von Hochspannungsleitungen mit dem Heckenschneider kann es zu schweren oder gar tödlichen Verletzungen kommen. Achten Sie vor Beginn der Arbeiten auf Stromversorgungsleitungen und Elektrozaune im Arbeitsbereich.
- Starten und betreiben Sie den Motor nur im Freien in gut belüfteten Bereichen. Bei Betrieb in geschlossenen Räumen oder unzureichend belüfteten Bereichen bestehen Erstickungsgefahr und die Gefahr einer Kohlenmonoxidvergiftung.
- Achten Sie darauf, dass umstehende Personen, insbesondere Kinder, und Tiere einen Abstand von mindestens 15 m zum Heckenschneider einhalten. Stoppen Sie den Motor sofort, wenn sich Personen nähern.
- Kontrollieren Sie vor Beginn der Arbeiten den Arbeitsbereich auf das Vorhandensein von Drahtzäunen, Steinen und sonstigen massiven Objekten. Durch derartige Objekte können die Schneidmesser beschädigt werden.
- ⚠ **WARNUNG:** Bei Gebrauch dieses Produkts kann Staub entstehen, der Chemikalien enthält, die Erkrankungen der Atemwege und andere Erkrankungen verursachen können. Beispiele solcher Chemikalien sind Bestandteile in Pestiziden, Insektiziden, Düngemitteln und Herbiziden. Die Höhe der Gesundheitsgefährdung hängt davon ab, wie oft Sie derartige Arbeiten ausführen. Damit Sie diesen Chemikalien weniger ausgesetzt sind, sorgen Sie für eine gute Belüftung des Arbeitsbereichs und verwenden Sie zugelassene Schutzausrüstungen, beispielsweise solche Staubmasken, die speziell für das Filtern mikroskopischer Partikel vorgesehen sind.



## Starten des Heckenschneiders

- Schalten Sie stets den Motor aus und ziehen Sie die Zündkerzenstecker, bevor Sie das Werkzeug zusammenbauen oder Einstellungen am Werkzeug vornehmen.
- Stellen Sie vor dem Starten des Heckenschneiders immer sicher, dass sich die Maschine in einem betriebssicheren Zustand befindet.
- Versuchen Sie niemals, den Motor zu starten, wenn die Maschine Schäden aufweist.
- Überprüfen Sie den Sicherheitsmechanismus des Gashebels auf ordnungsgemäße Funktion. Der Entriegelungshebel muss sich geschmeidig und problemlos betätigen lassen. Stellen Sie sicher, dass der Entriegelungshebel ordnungsgemäß funktioniert. Stellen Sie sicher, dass die Griffe sauber und trocken sind, und überprüfen Sie den STOPP-Schalter auf ordnungsgemäße Funktion.

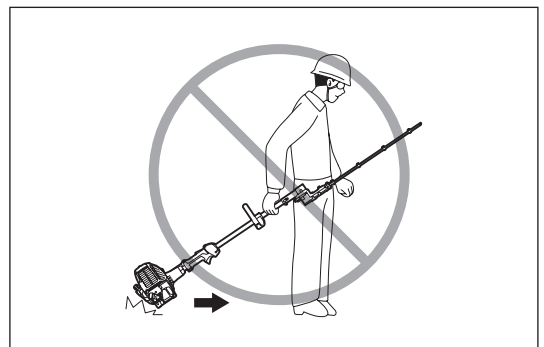
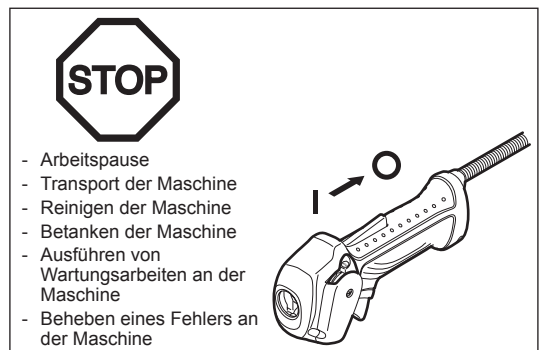
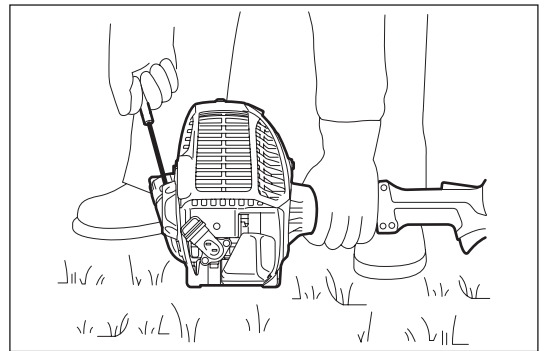
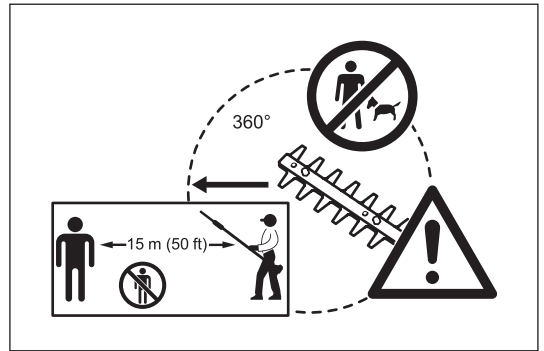
Starten Sie den Heckenschneider immer anhand der in dieser Betriebsanleitung aufgeführten Anleitung.

## Starten Sie den Heckenschneider anhand der im Folgenden aufgeführten Anleitung

- Starten Sie den Heckenschneider nur, wenn die Maschine vollständig zusammengebaut ist und alle Zubehörteile angebracht sind.
- Halten Sie die Schneidmesser von Ihrem Körper und anderen Objekten, einschließlich Boden, fern, wenn Sie den Motor starten. Beim Starten des Motors können die Schneidmesser in Bewegung geraten, wodurch es zu schweren Verletzungen und/oder Schäden an den Schneidmessern und/oder anderen Sachschäden kommen kann.
- Stellen Sie vor dem Starten des Motors sicher, dass die Schneidmesser nicht durch Fremdkörper wie Steine, Äste usw. blockiert sind.
- Stoppen Sie bei Auftreten von Motorproblemen den Motor sofort.
- Halten Sie die Maschine mit der linken Hand fest gegen den Boden, wenn Sie den Startergriff ziehen. Treten Sie niemals auf die Antriebswelle.
- Wenn sich die Schneidmesser im Leerlauf des Motors bewegen, stoppen Sie den Motor, und stellen Sie eine niedrigere Leerlaufdrehzahl ein.
- Erfassen Sie den Heckenschneider bei Ausführen der Arbeiten immer fest an beiden Griffen. Legen Sie Ihre Finger fest um beide Griffe, erfassen Sie den Griff dabei fest mit Daumen und Zeigefinger. Vermeiden Sie während der Arbeiten das Wechseln Ihres Griffs, damit Sie den Heckenschneider zu jeder Zeit sicher unter Kontrolle haben. Stellen Sie sicher, dass sich die Bedienelemente in ordnungsgemäßem Zustand befinden und frei von Feuchtigkeit, Schmutz, Öl und Fett ist.

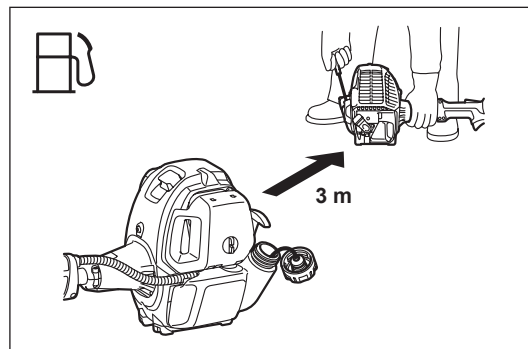
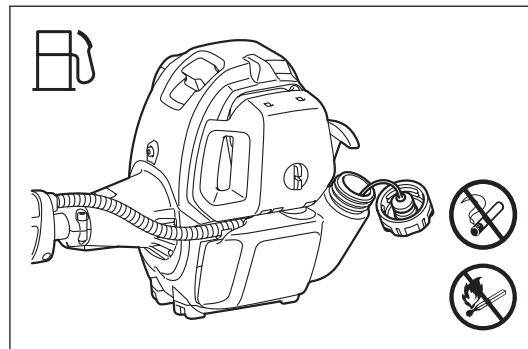
## Sorgen Sie immer für einen sicheren, ausbalancierten Stand

- Wenn Probleme mit dem Motor auftreten oder die Maschine ungewöhnliche Geräusche von sich gibt, stoppen Sie den Motor sofort.
- Abgase sind giftig. Betreiben Sie die Maschine niemals in geschlossenen Räumen oder in einem Tunnel ohne Belüftung (Erstickungsgefahr und Gefahr einer Kohlenmonoxidvergiftung). Bedenken Sie, dass Kohlenmonoxid ein geruchloses Gas ist. Stellen Sie immer sicher, dass der Bereich, in dem die Maschine betrieben wird, gut belüftet ist.
- Stoppen Sie den Motor, wenn Sie eine Pause einlegen oder wenn Sie die Maschine unbeaufsichtigt lassen. Legen Sie die Maschine an einem sicheren Ort ab, und stellen Sie sicher, dass sich keine brennbaren Materialien in der Nähe befinden.
- Legen Sie einen warmen Heckenschneider niemals auf trockenem Gras oder auf brennbaren Materialien ab.
- Halten Sie den Motor und den Schalldämpfer stets frei von Schnittabfällen, Blättern und übermäßigem Schmierstoff, um die Gefahr eines Brandes zu vermeiden.
- Betreiben Sie den Motor niemals mit beschädigtem Schalldämpfer.
- Schalten Sie vor jedem Transport den Motor aus.
- Stoppen Sie den Motor immer unter folgenden Bedingungen:
  - Arbeitspause
  - Transport der Maschine
  - Reinigen der Maschine
  - Betanken der Maschine
  - Ausführen von Wartungsarbeiten an der Maschine
  - Beheben eines Fehlers an der Maschine
- Erfassen Sie die Maschine zum Tragen an der Achse, und tragen Sie die Maschine waagrecht. Halten Sie den heißen Auspuffschalldämpfer von Ihrem Körper fern.
- Beim Transport der Maschine in einem Fahrzeug befestigen Sie den Heckenschneider immer so, dass kein noch vorhandener Kraftstoff austreten kann.
- Leeren Sie immer erst den Kraftstofftank, bevor Sie den Heckenschneider in einem Fahrzeug transportieren.
- Lassen Sie beim Abladen des Heckenschneiders von einem Fahrzeug die Maschine niemals fallen; anderenfalls kann der Kraftstofftank beschädigt werden.
- Lassen Sie den Heckenschneider nur in einem Notfall fallen, da der Heckenschneider bei Fallenlassen ernsthaft beschädigt werden kann.
- Heben Sie bei einem Umsetzen des Heckenschneiders den Heckenschneider immer vollständig vom Boden ab. Ziehen Sie die Maschine niemals über den Boden, da anderenfalls der Kraftstofftank beschädigt werden kann, wodurch es zu einem Brand kommen kann.
- Setzen Sie vor Lagerung und Transport immer den Schneidblattschutz auf das Schneidblatt des Heckenschneiders auf, damit die Schneidmesser keine Gefahr darstellen und geschützt sind.
- Nachdem die Maschine einem starken Stoß ausgesetzt war oder heruntergefallen ist, überprüfen Sie den Zustand der Maschine, bevor Sie die Arbeiten fortsetzen. Überprüfen Sie das Kraftstoffsystem auf Leckagen und die Bedienelemente und Sicherheitseinrichtungen auf Fehlfunktionen. Wenn Sie einen Schaden an der Maschine bemerken oder sich nicht sicher sind, wenden Sie sich zur Inspektion und Reparatur an unser autorisiertes Servicecenter.



## Betanken

- Stoppen Sie vor dem Betanken zuerst den Motor.
- Betanken Sie die Maschine niemals in der Nähe offener Flammen.
- Beim Betanken ist Rauchen verboten.
- Warten Sie vor dem Betanken, bis sich der Motor ausreichend abgekühlt hat.
- Vermeiden Sie den Hautkontakt mit Mineralölprodukten. Atmen Sie Kraftstoffdämpfe nicht ein, und tragen Sie beim Betanken Schutzhandschuhe. Wechseln und reinigen Sie Schutzkleidung und Schutzausrüstung regelmäßig.
- Achten Sie besonders darauf, dass kein Kraftstoff und kein Öl verschüttet wird, um eine Verunreinigung des Bodens zu vermeiden (Umweltschutz). Wenn Kraftstoff oder Öl auf den Heckenschneider verschüttet wurde, wischen Sie die Außenflächen des Heckenschneiders sofort mit einem Putzlappen ab. Lassen Sie durchfeuchtete Putzlappen ausreichend trocknen, bevor Sie sie in einen geschlossenen Behälter entsorgen, um ein Selbstentzündung zu vermeiden.
- Achten Sie darauf, dass Ihre Kleidung nicht in Kontakt mit Kraftstoff kommt. Wechseln Sie mit Kraftstoff verunreinigte Kleidung sofort (Brandgefahr).
- Schließen Sie den Kraftstofftank und schrauben Sie den Tankdeckel fest auf. Bringen Sie den Heckenschneider mindestens 3 m vom Ort des Betankens weg, bevor Sie den Motor starten.
- Überprüfen Sie den Tankdeckel regelmäßig und stellen Sie dabei sicher, dass er Tankdeckel fest aufgeschraubt ist.
- Betanken Sie die Maschine niemals in geschlossenen Räumen. Kraftstoffdämpfe sammeln sich am Fußboden an (Explosionsgefahr).
- Bewahren Sie Kraftstoffe nur in zugelassenen Behältern auf, und stellen Sie Sie sicher, dass sich diese Kraftstoffe außerhalb der Reichweite von Kindern befinden.



## Bedienung

- Schalten Sie bei einem Notfall sofort den Motor aus.
- Schalten Sie den Motor aus, wenn Sie während des Betriebs etwas Ungewöhnliches (z. B. ungewöhnliche Geräusche, Vibrationen) bemerken. Verwenden Sie den Heckenschneider erst dann wieder, nachdem die Ursache gefunden und behoben wurde.
- Nach dem Loslassen des Gashebels bzw. Ausschalten des Motors laufen die Schneidmesser noch eine kurze Zeit nach. Berühren Sie die Schneidmesser erst nach vollständigem Stillstand.
- Betreiben Sie die Maschine niemals einhändig. Dadurch kann es zum Verlust der Kontrolle und zu schweren oder gar tödlichen Verletzungen kommen. Halten Sie Hände und Füße von den Messern fern, um die Gefahr von Schnittverletzungen zu vermeiden.
- Halten Sie während der Arbeiten Ihre rechte Hand unter Schulterhöhe. Anderenfalls kann es zu Kontrollverlust und dadurch zu Verletzungen kommen.
- Achten Sie während der Arbeiten darauf, dass die Schneidmesser nicht auf harte Gegenstände wie z. B. Steine oder Metallteile treffen. Geben Sie beim Schneiden von Hecken in der Nähe oder an Drahtzäunen besondere Obacht. Stellen Sie bei Arbeiten kurz über dem Boden sicher, dass kein Sand, Kies oder Steine zwischen die Messer gelangen.
- Falls die Messer in Kontakt mit Steinen oder anderen Festkörpern gekommen sind, stoppen Sie sofort den Motor, ziehen Sie den Zündkerzenstecker ab, und prüfen Sie die Messer auf Beschädigungen. Ersetzen Sie beschädigte Messer.
- Halten Sie sich von sich bewegenden Messern fern und berühren Sie diese niemals. Die Messer können problemlos einen Finger abtrennen. Schalten Sie stets den Motor aus und ziehen Sie die Zündkerzenstecker ab, bevor Sie die Messer berühren oder sich diesen nähern.
- Falls sich dicke Äste in den Messern verfangen haben, stoppen Sie sofort den Motor, legen Sie den Heckenschneider ab, ziehen Sie den Zündkerzenstecker ab und entfernen Sie anschließend die Blockierung. Prüfen Sie vor erneuter Verwendung der Maschine die Messer auf Beschädigungen.
- Durch ein Erhöhen der Motordrehzahl bei blockierten Messern erhöht sich die Last, und der Motor und/oder die Kupplung können beschädigt werden.
- Prüfen Sie die Schneidmesser während des Betriebs regelmäßig auf Risse oder stumpfe Schneiden. Schalten Sie vor dem Überprüfen den Motor aus und warten Sie, bis die Messer ganz stoppen. Ersetzen Sie beschädigte oder stumpfe Schneidmesser sofort, auch wenn sie nur oberflächliche Risse aufweisen.
- Berühren Sie das Getriebe nicht. Bei Betrieb erhitzt sich das Getriebe.
- Legen Sie regelmäßig Pausen ein, damit es nicht zu einem Kontrollverlust aufgrund von Ermüdungserscheinungen kommt. Wir empfehlen, jede Stunde eine Pause von 10 bis 20 Minuten einzulegen.
- Ziehen Sie vor dem Schneiden den Gashebel voll, damit der Motor die maximale Drehzahl erreicht.
- Halten Sie während der Arbeiten den Heckenschneider immer mit beiden Händen fest.
- Verwenden Sie den Heckenschneider nur bei guten Licht- und Sichtverhältnissen. Achten Sie in der kalten Jahreszeit auf rutschige und nasse Flächen (Eis und Schnee, Rutschgefahr), und achten Sie immer auf sicheren Stand.
- Führen Sie Arbeiten mit dem Heckenschneider niemals auf einer instabilen Fläche oder an einem Steilhang stehend aus.
- Führen Sie Arbeiten mit dem Heckenschneider niemals auf einer Leiter stehend aus.
- Klettern Sie niemals auf Bäume, um dort Arbeiten mit dem Heckenschneider auszuführen.
- Gehen Sie beim Arbeiten mit dem Heckenschneider niemals rückwärts, damit Sie nicht stolpern oder über Gegenstände fallen.
- Stoppen Sie immer den Motor, bevor Sie die Maschine reinigen oder warten. Stoppen Sie immer den Motor, bevor Sie Bauteile an der Maschine austauschen.
- Wenn das Schneidblatt beschädigt oder verschlissen ist, betreiben Sie den Heckenschneider nicht.



## Schwingung

- Wenn sich Personen mit Durchblutungsstörungen zu starken mechanischen Schwingungen aussetzen, kann es zu Schädigungen von Blutgefäßen und/oder Nervensystem kommen. Durch mechanische Schwingungen können an Fingern, Händen oder Handgelenken folgende Symptome auftreten: „Einschlafen“ von Körperteilen (Taubheit), Kribbeln, Schmerz, Stechen, Veränderung von Hautfarbe oder Haut. Falls eines dieser Symptome auftritt, suchen Sie einen Arzt auf!
- Um das Risiko der „Weißfingerkrankheit“ zu verringern, halten Sie Ihre Hände während des Arbeitens warm, und warten und pflegen Sie Maschine und Zubehörteile gut.

## Wartungsanweisungen

- Lassen Sie Ihre Maschine durch unser autorisiertes Servicecenter warten, verwenden Sie stets nur Originalersatzteile. Unsachgemäße Reparatur- und Wartungsarbeiten können die Lebenszeit der Maschine verkürzen und das Unfallrisiko erhöhen.
- Seien Sie stets bemüht, Umweltbelastung und Geräuscentwicklung so gering wie möglich zu halten. Überprüfen Sie vor allem, ob der Vergaser ordnungsgemäß eingestellt ist.
- Reinigen Sie den Heckenschneider regelmäßig, und überprüfen Sie, ob alle Schrauben und Muttern fest angezogen sind.
- Warten oder lagern Sie den Heckenschneider niemals in der Nähe offener Flammen, von Funken usw.
- Reparieren Sie verbogene oder gebrochene Messer niemals durch Geradebiegen oder Schweißen. Anderenfalls könnten sich Teile der Messer lösen und zu schweren Verletzungen führen. Wenden Sie sich zum Austauschen defekter Messer durch originale MAKITA-Messer an Ihr autorisiertes MAKITA Servicecenter.
- Damit es nicht zu weiteren Schäden und/oder Verletzungen kommt, darf ein beschädigter Heckenschneider nur von dafür qualifiziertem Personal repariert werden. Wenden Sie sich bei notwendigen Reparaturen immer an Ihren Händler oder ein autorisiertes Servicezentrum.

Nehmen Sie keine Änderungen oder Umbauten am Heckenschneider vor, da dadurch die Betriebssicherheit beeinträchtigt wird.

Vom Benutzer können ausschließlich die in dieser Betriebsanleitung aufgeführten Wartungsarbeiten vorgenommen werden. Alle sonstigen Arbeiten an der Maschine müssen von autorisiertem Wartungspersonal durchgeführt werden. Wenden Sie sich an Ihr autorisiertes MAKITA Servicecenter, um eine regelmäßige Inspektion und Wartung des Heckenschneiders vornehmen zu lassen. Verwenden Sie ausschließlich Original-Ersatzteile und Original-Zubehörteile von MAKITA, die Sie über autorisierte Servicecenter bezogen haben. Die Verwendung nicht freigegebener Zubehörteile und Werkzeuge führt zu einer erhöhten Gefahr von Unfällen und Verletzungen. MAKITA übernimmt für Personen- oder Sachschäden, die durch die Verwendung nicht freigegebener Zubehörteile und Bauteile verursacht wurden, keinerlei Haftung.

## Aufbewahrung

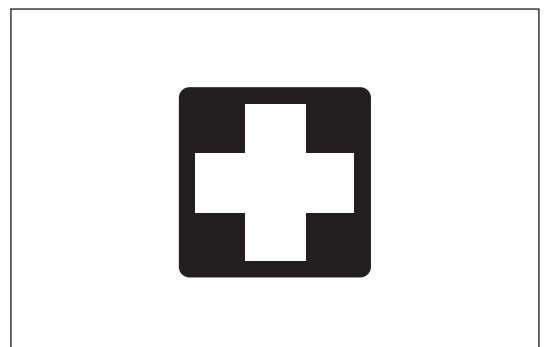
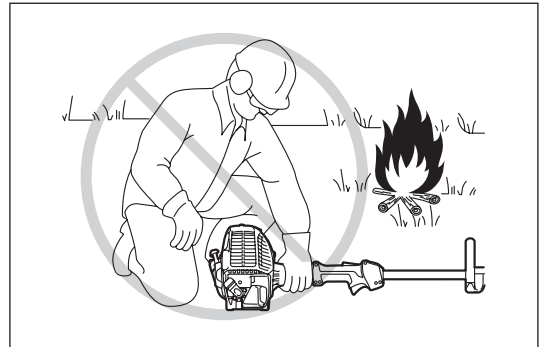
- Nehmen Sie eine gründliche Reinigung und Wartung der Maschine vor, bevor Sie die Maschine einlagern. Bringen Sie den Schneidblattschutz auf.
- Leeren Sie vor der Einlagerung den Kraftstofftank, und bewahren Sie den Heckenschneider nur in einem gut belüfteten, verschließbaren Raum auf. Sorgen Sie dafür, dass Kinder keinen Zugang zum Heckenschneider haben.
- Lehnen Sie die Maschine niemals gegen etwas an, beispielsweise gegen eine Wand. Anderenfalls könnte der Heckenschneider plötzlich umfallen und Verletzungen verursachen.

## Erste Hilfe

Stellen Sie für den Fall eines Unfalls sicher, dass in der Nähe des Arbeitsortes ein ordnungsgemäß befüllter Erste-Hilfe-Kasten verfügbar ist. Füllen Sie sämtliche aus dem Erste-Hilfe-Kasten entnommenen Materialien unverzüglich auf.

## Machen Sie bei einem Notruf folgende Angaben:

- Ort des Unfalls
- Was ist passiert
- Anzahl der verletzten Personen
- Schwere der Verletzungen
- Ihr Name



**Nur für europäische Länder**

**EG-Konformitätserklärung**

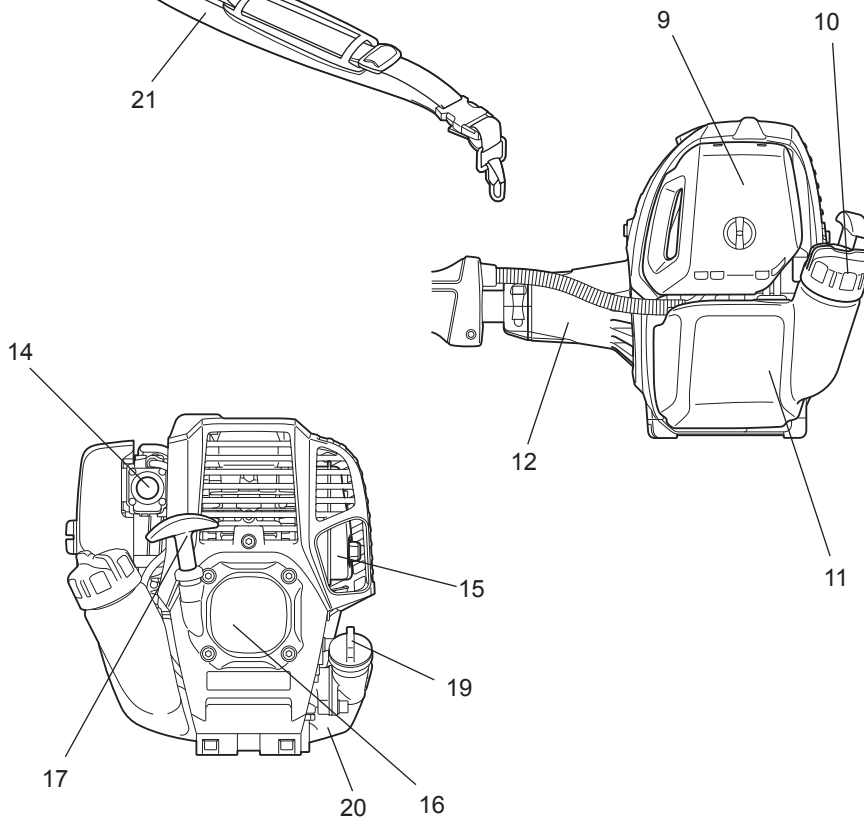
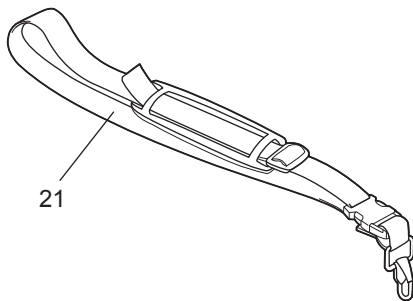
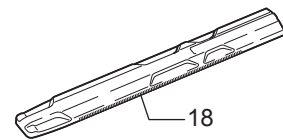
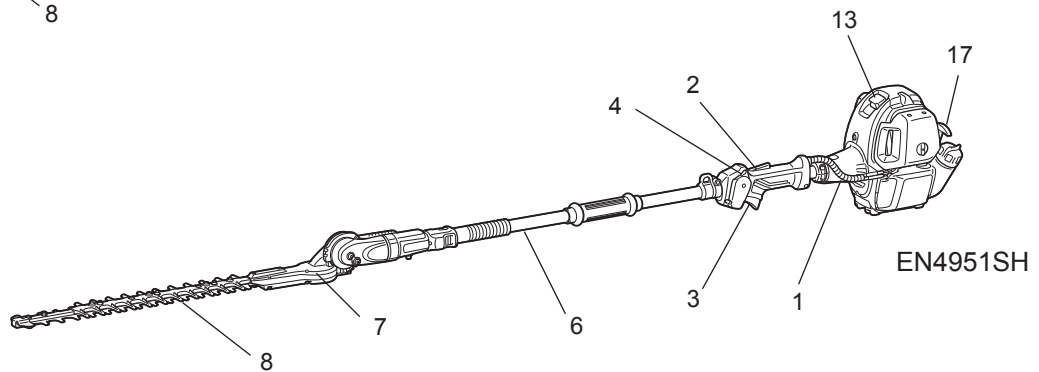
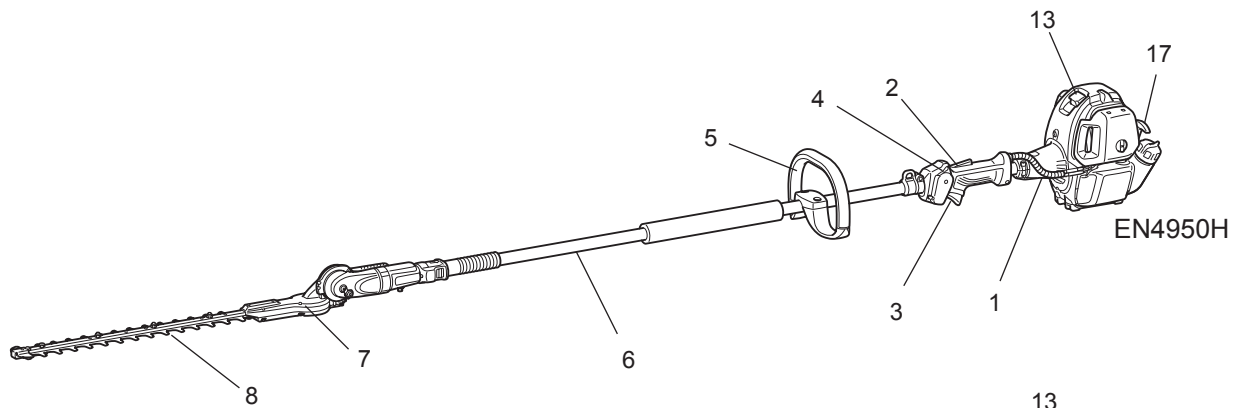
Die EG-Konformitätserklärung liegt dieser Betriebsanleitung als Anhang A bei.

## TECHNISCHE DATEN

Modell	EN4950H		EN4951SH		
	Bügelgriff		Gerader Griff		
Abmessungen (L x B x H)	2.550 mm x 242 mm x 241 mm		2.050 mm x 221 mm x 241 mm		
Nettogewicht	6,9 kg		6,6 kg		
Fassungsvermögen (Kraftstofftank)	0,6 l				
Schnittlänge	490 mm				
Maximaler Astdurchmesser	7 mm				
Hubzahl	4.200 min <sup>-1</sup>				
Motortyp	Luftgekühlter, 4-Takt-Einzylinder				
Motor-Hubraum	25,4 cm <sup>3</sup>				
Maximale Motorleistung	0,77 kW bei 7.000 min <sup>-1</sup>				
Motordrehzahl bei empfohlener max. Wellendrehzahl	10.000 min <sup>-1</sup>				
Kraftstoffverbrauch	0,33 kg/h				
Spezifischer Kraftstoffverbrauch	408 g/kWh				
Leerlaufdrehzahl	3.000 min <sup>-1</sup>				
Drehzahl für Kupplungseingriff	4.400 min <sup>-1</sup>				
Vergaser (Membranvergaser)	Membrantyp				
Zündkerze	Typ	NGK CMR4A			
Elektrodenabstand	0,7 bis 0,8 mm				
		Schwingungen nach ISO 10517		Schwingungen nach ISO 10517	
Rechter Griff (hinterer Griff)	a <sub>hv eq</sub>	8,5 m/s <sup>2</sup>		7,0 m/s <sup>2</sup>	
	Abweichung K	1,3 m/s <sup>2</sup>		3,1 m/s <sup>2</sup>	
Linker Griff (vorderer Griff)	a <sub>hv eq</sub>	6,4 m/s <sup>2</sup>		5,1 m/s <sup>2</sup>	
	Abweichung K	2,6 m/s <sup>2</sup>		1,5 m/s <sup>2</sup>	
		Geräuschentwicklung gemäß ISO 10517		Geräuschentwicklung gemäß ISO 10517	
Schalldruckpegel	90 dB (A)		90,2 dB (A)		
Abweichung K	1,8 dB (A)		1,0 dB (A)		
Schalleistungspegel	103,0 dB (A)		104,1 dB (A)		
Abweichung K	1,0 dB (A)		0,4 dB (A)		
Kraftstoff	Kfz-Ottokraftstoff (Benzin)				
Motoröl	Klasse SF oder höher nach API-Klassifikation, Klasse 10W-30 nach SAE-Klassifikation (Motoröl für Auto-Viertaktmotor)				
Übersetzung Getriebe	1/4,78				



# BEZEICHNUNG DER BAUTEILE



	Bezeichnung der Bauteile
1	Gasseilzug
2	Entriegelungshebel
3	Gashebel
4	Stoppschalter
5	Griff
6	Achse
7	Getriebe
8	Schneidmesser
9	Luftfilter
10	Kraftstoff-Tankdeckel
11	Kraftstofftank
12	Kupplungsgehäuse
13	Zündkerzenstecker
14	Anlasseinspritzpumpe
15	Schalldämpfer
16	Seilzugstarter
17	Startergriff
18	Schneidblattschutz
19	Öldeckel
20	Öltank
21	Umhängeriemen (optionales Zubehör)

## MONTAGE

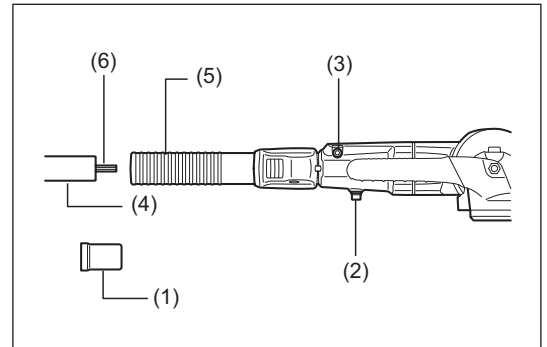
### ⚠ WARNUNG:

- Stellen Sie vor dem Zusammenbauen des Heckenschneiders sicher, dass der Motor ausgeschaltet ist, und ziehen Sie den Zündkerzenstecker ab.
- Tragen Sie Schutzhandschuhe!
- Schützen Sie die Schneidblätter mit Hilfe der mitgelieferten Schneidblattabdeckung, bevor Sie das Schneidwerk an den Stab anbringen.

1. Nehmen Sie die Kappe (1) von der Achse ab.
2. Lösen Sie die Schrauben M5 x 16 (2) und M5 x 25 (3).
3. Schieben Sie die Achse (4) in die Abdeckung (5) ein.

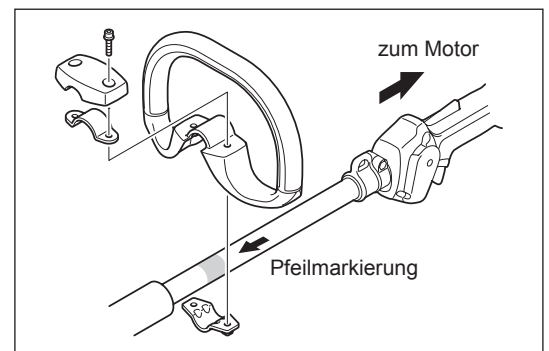
HINWEIS: Achten Sie darauf, dass die Achse vollständig in die Abdeckung eingeschoben ist (ca. 237 mm/9-3/8").  
Wenn sich die Achse nicht problemlos einschieben lässt, drehen Sie die Antriebswelle (6) etwas, und versuchen Sie es erneut.

4. Stellen Sie sicher, dass die Achse ordnungsgemäß eingeschoben ist, und ziehen Sie anschließend die Schrauben M5 x 16 und M5 x 25 fest.



### BEFESTIGUNG DES GRIFFS (für EN4950H)

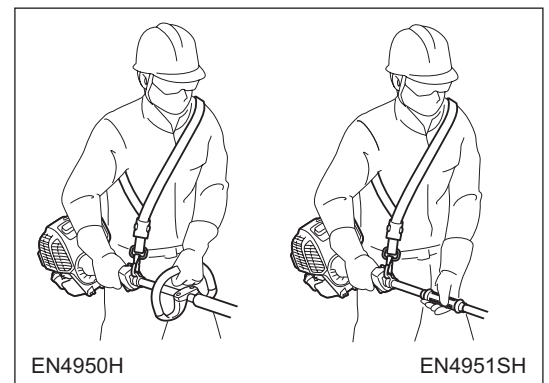
- Befestigen Sie den Bügelgriff wie dargestellt auf die Achse.
- Positionieren Sie den Bügelgriff vor den Pfeilen, damit die Griffe einen ausreichenden Abstand voneinander haben.



## UMHÄNGERIEMEN (Sonderzubehör)

### Anleitung zum Tragen des Umhängeriemens

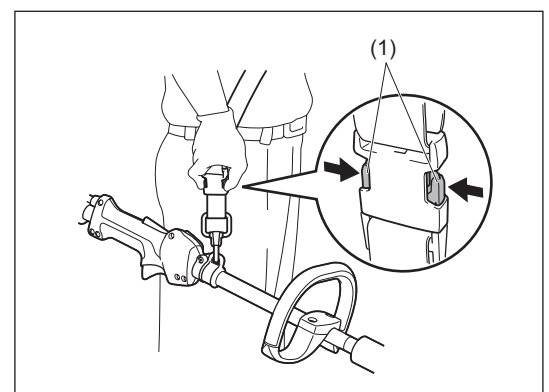
- Tragen Sie den Umhängeriemen über der linken Schulter.
- Halten Sie die Stabheckenschere auf der rechten Seite Ihres Körpers.
- Befestigen Sie den Träger an den gelieferten Einhänger auf der Stabheckenschere und passen Sie die Länge des Trägers an, damit Sie dadurch eine angenehme Arbeitsposition bekommen.



### Abtrennung

- Drücken Sie im Notfall die Einrastungen (1) an beiden Seiten, und Sie können das Werkzeug von sich abtrennen.  
Gehen Sie äußerst vorsichtig vor, damit Sie jederzeit die Kontrolle über die Maschine behalten. Lassen Sie nicht zu, dass die Maschine in Ihre Richtung oder in Richtung anderer Personen in Ihrer Nähe abprallt.

WARNUNG: Andernfalls können Sie die Kontrolle über das Werkzeug verlieren, wodurch es zu schweren oder gar TÖDLICHEN Verletzungen kommen kann.



## VOR DEM BETRIEB

### Überprüfen und Nachfüllen von Motoröl

- Gehen Sie dazu, bei abgekühltem Motor, wie folgt vor.
- Legen Sie den Motor waagrecht ab, entfernen Sie den Öldeckel (Abb. 1) und prüfen Sie, ob Sie Öl im Bereich zwischen den oberen und unteren Grenzmarkierungen der Ölleitung sehen (Abb. 2).
- Füllen Sie Öl bis zur oberen Grenzmarkierung auf, falls nicht ausreichend Öl vorhanden ist (Ölstand nahe der unteren Grenzmarkierung) (Abb. 3).
- Der Bereich um die Markierungen außen ist transparent, so dass Sie den Ölstand im Inneren prüfen können, ohne den Öldeckel abzunehmen. Wenn die Ölleitung jedoch stark verschmutzt ist, kann die Sichtbarkeit verloren gehen, und der Ölstand muss am gestuften Bereich im Inneren der Ölleitung geprüft werden.
- Als Richtgröße sollten 10 Stunden für die Zeit für das Nachfüllen von Öl angenommen werden (d. h. nach ca. 10 Auftankungen). Falls das Öl seine Farbe geändert oder sich mit Schmutz vermischt hat, ersetzen Sie es durch neues Öl. (Weitere Informationen zum Intervall und der Methode des Ölwechsels finden Sie auf Seite 116.)

**Empfohlenes Öl:** Öl der API-Klassifikation SAE 10W-30, Klasse SF oder höher (Viertaktmotor für Kfz)

**Ölmenge:** ca. 0,08 l

**HINWEIS:** Falls der Motor nicht aufrecht gehalten wird, kann Öl rund um den Motor fließen, sodass zu viel Öl nachgefüllt wird. Falls zu viel Öl eingefüllt wird, kann das Öl verschmutzt werden oder unter weißer Rauchentwicklung verbrennen.

### Punkt 1 beim Ölwechsel: „Öldeckel“

- Entfernen Sie Staub und Schmutz um den Öleinfüllstutzen, und nehmen Sie den Öldeckel ab.
- Halten Sie den abgenommenen Öldeckel frei von Sand und Staub. Andernfalls kann am Öldeckel anhaftender Sand oder Staub eine abnormale Ölzirkulation oder einen Verschleiß der Motorteile und Probleme verursachen.

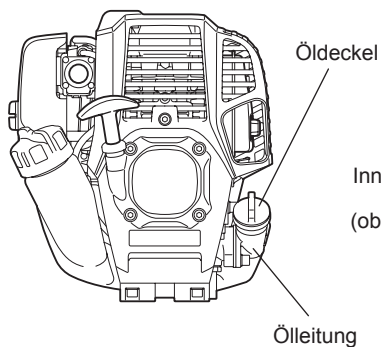


Abb. 1

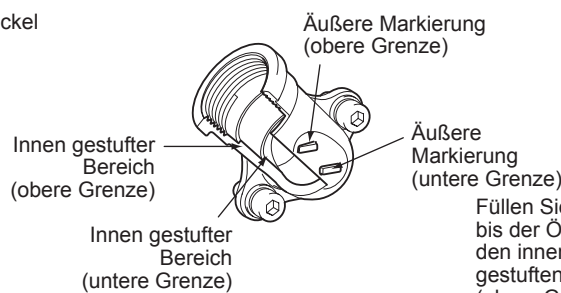
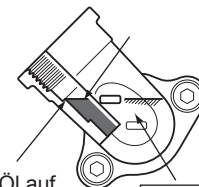


Abb. 2 Ölleitung

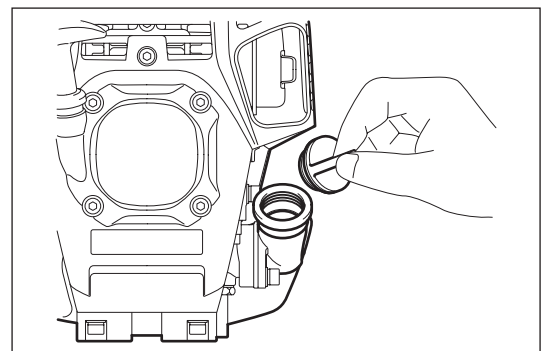


Füllen Sie Öl auf, bis der Ölstand den innen gestuften Bereich (obere Grenze) erreicht.

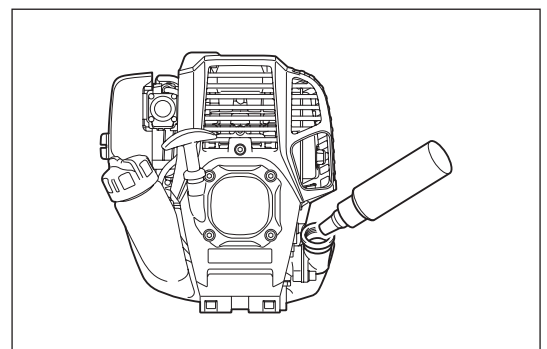
Der Bereich zwischen der äußeren oberen und der äußeren unteren Grenze ist transparent, so können Sie den Ölstand von außen gegen diese Markierungen prüfen.

Abb. 3

(1) Halten Sie den Motor waagrecht, und nehmen Sie den Öldeckel ab.



(2) Füllen Sie Öl bis zur Markierung für die Obergrenze auf (siehe Abb. 3). Verwenden Sie zum Auffüllen eine Ölfflasche.



(3) Schrauben Sie den Öldeckel fest auf. Bei unzureichendem Festschrauben kann Öl auslaufen.

#### Hinweis

- Füllen Sie Öl nicht in geneigter Position des Motors auf.
- Beim Auffüllen von Öl mit dem Motor in einer geneigten Position wird zu viel Öl aufgefüllt, und es kann zu Ölverschmutzungen und/oder Ölnebelbildung kommen.

#### Punkt 2 beim Ölwechsel: „Falls Öl danebenläuft“

- Falls Öl zwischen Kraftstofftank und Motorenhauptblock gelangt, wird dieses Öl über den Kühlluft einlass angesaugt, wodurch der Motor verunreinigt wird. Wischen Sie vor dem Start des Betriebs danebengelaufenes Öl unbedingt gründlich ab.

## BETANKEN

### Umgang mit Kraftstoff

Beim Umgang mit Kraftstoff ist äußerste Vorsicht geboten. Kraftstoffe können Lösungsmitteln ähnliche Substanzen enthalten. Das Betanken muss in einem gut belüfteten Raum oder im Freien erfolgen. Atmen Sie Kraftstoffdämpfe nicht ein, und vermeiden Sie jeglichen Körperkontakt mit Kraftstoff. Durch anhaltenden oder wiederholten Hautkontakt wird die Haut trocken, und es kann zu Hauterkrankungen oder allergischen Reaktionen kommen. Falls Kraftstoff in die Augen gelangt, spülen Sie die Augen sofort mit sauberem Wasser! Falls die Augenirritation anhält, suchen Sie einen Arzt auf.

### Aufbewahrungszeitraum von Kraftstoff

Kraftstoff sollte innerhalb eines Zeitraums von 4 Wochen verwendet werden, auch wenn er in einem speziellen Behälter an einem gut belüfteten, schattigen Ort gelagert wird.

Andernfalls kann sich der Kraftstoff schon innerhalb eines Tages zersetzen.

### AUFBEWAHREN DER MASCHINE UND DES KRAFTSTOFFKANISTERS

- Lagern Sie die Maschine und den Kraftstoffkanister an einem kühlen Ort ohne direkte Sonneneinstrahlung.
- Bewahren Sie Kraftstoff niemals in einem Kraftfahrzeug auf.

### Kraftstoff

Bei dem Motor handelt es sich um einen Viertaktmotor. Verwenden Sie ausschließlich einen unverbleiten Kfz-Ottokraftstoff mit mindestens 87 Oktan ((R+M)/2). Der Alkoholanteil darf maximal 10 % (E-10) betragen.

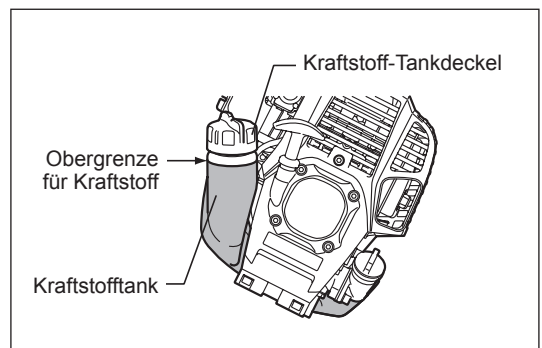
### Wichtige Punkte zum Kraftstoff

- Verwenden Sie niemals ein Gemisch aus Kraftstoff und Motoröl. Andernfalls treten übermäßige Kohleablagerungen oder mechanische Probleme auf.
- Die Verwendung von minderwertigem Öl führt zu einem ungleichförmigen Anlaufen.

### Betanken

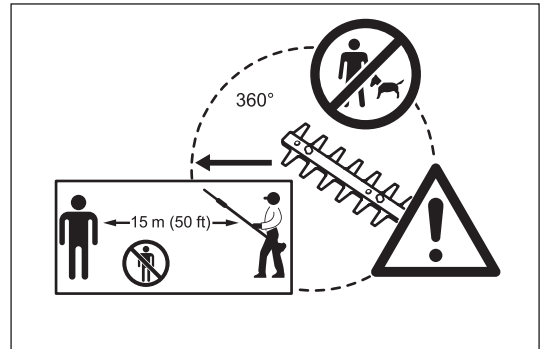
#### WARNUNG: UMGANG MIT OFFENEN FLAMMEN STRENGSTENS VERBOTEN!

- Lösen Sie den Tankdeckel etwas, um den Druck abzulassen.
  - Nehmen Sie den Tankdeckel ab. Tanken Sie die Maschine auf und leiten Sie die Luft ab, indem Sie den Kraftstofftank neigen, sodass der Einfüllstutzen nach oben zeigt. (Füllen Sie den Tank NICHT randvoll.)
  - Wischen Sie den Bereich um den Tankdeckel gut sauber, damit keine Fremdkörper in den Kraftstofftank eindringen können.
  - Schrauben Sie nach dem Betanken den Tankdeckel ordnungsgemäß fest.
- 
- Falls der Tankdeckel Makel oder Beschädigungen aufweist, ersetzen Sie den Deckel.
  - Der Tankdeckel nutzt sich im Laufe der Zeit ab. Ersetzen Sie den Tankdeckel alle zwei bis drei Jahre.



## SICHERHEITSMASSNAHMEN VOR DEM STARTEN DES MOTORS

- Sorgen Sie um den Arbeitsbereich zu jeder Zeit für eine Sicherheitszone mit einem Durchmesser von 15 m. Stellen Sie sicher, dass keine Personen (insbesondere Kinder) und/oder Tiere diese Zone betreten.
- Stellen Sie vor dem Verwenden des Heckenschneiders sicher, dass sich die Maschine in einem betriebssicheren Zustand befindet. Stellen Sie sicher, dass die Schneidmesser nicht beschädigt sind, und überprüfen Sie, ob sich der Gashebel problemlos betätigen lässt. Stellen Sie sicher, dass sich die Schneidmesser nicht bewegen, wenn der Motor im Leerlauf läuft. Wenn sich die Maschine nicht normal verhält, wenden Sie sich an Ihren Händler, damit dieser die Maschine einstellt. Stellen Sie sicher, dass die Griffe sauber und trocken sind, und dass der EIN/AUS-Schalter ordnungsgemäß funktioniert. Starten Sie den Motor nur auf die in dieser Betriebsanleitung vorgegebene Weise. Starten Sie den Heckenschneider auf keine andere Weise!
- Starten Sie den Motor des Heckenschneiders erst, nachdem Sie alle Anweisungen gelesen und verstanden haben. Versuchen Sie niemals, einen Heckenschneider zu starten, der noch nicht vollständig zusammengebaut wurde. Andernfalls kann es zu schweren Verletzungen kommen.
- Stellen Sie vor dem Starten des Motors immer erst sicher, dass die Schneidmesser nicht durch Steine, Äste oder andere harte Objekte blockiert sind.
- Suchen Sie den Arbeitsbereich auf Drähte, Kabel, Leinen, Glas oder sonstige Fremdkörper ab, die von den Schneidmessern erfasst werden könnten.
- Elektrischer Schlag: Achten Sie auf Elektroleitungen in der Nähe. Suchen Sie vor Beginn der Arbeiten den gesamten Arbeitsbereich nach Hochspannungsleitungen und Elektrozäunen ab.



## WICHTIGE BETRIEBSSCHRITTE UND STOPPEN DER MASCHINE

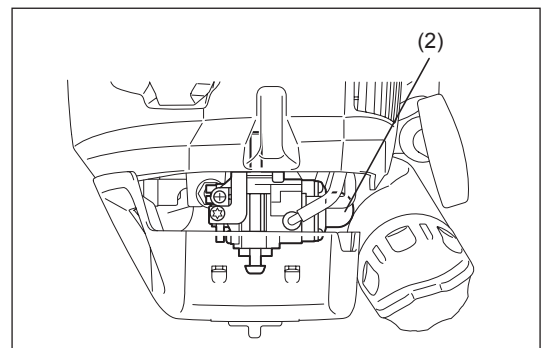
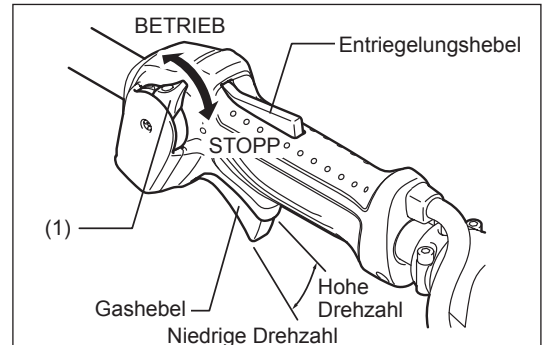
Beachten Sie die geltenden Bestimmungen zur Unfallverhütung!

### STARTEN

Bewegen Sie sich mindestens 3 m von dem Platz des Betankens weg. Legen Sie den Heckenschneider auf einem sauberen Untergrund ab. Achten Sie darauf, dass die Schneidmesser nicht in Kontakt mit dem Erdboden oder anderen Gegenständen kommen.

#### A: Kaltstart

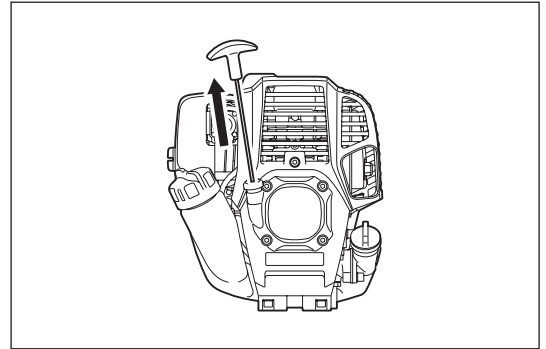
- 1) Legen Sie das Werkzeug auf einer ebenen Fläche ab.
- 2) Stellen Sie den EIN/AUS-Schalter (1) auf BETRIEB.
- 3) Anlasseinspritzpumpe  
Drücken Sie die Anlasseinspritzpumpe (2) so lange, bis Kraftstoff in die Anlasseinspritzpumpe eintritt. (Im Allgemeinen tritt Kraftstoff nach 7 bis 10 Pumpvorgängen in die Anlasseinspritzpumpe ein.) Falls die Anlasseinspritzpumpe zu lange betätigt wird, fließt überflüssiger Kraftstoff zurück in den Kraftstofftank.



- 4) Seilzugstarter  
Ziehen Sie langsam den Startergriff, bis Sie einen deutlichen Widerstand spüren (Verdichtungspunkt). Lassen Sie den Startergriff anschließend in die Ausgangsposition zurückkehren, und ziehen Sie den Startergriff nun kräftig. Ziehen Sie das Starterseil niemals ganz heraus. Lassen Sie beim Ziehen den Startergriff niemals unvermittelt los. Halten Sie den Startergriff, bis dieser in die ursprüngliche Lage zurückgekehrt ist.

- 5) Aufwärmbetrieb  
Setzen Sie den Aufwärmbetrieb für 2 bis 3 Minuten fort.

HINWEIS: Falls zu viel Kraftstoff in den Motor gelangt ist, schrauben Sie die Zündkerze heraus, und ziehen Sie langsam am Startergriff, damit der überflüssige Kraftstoff aus dem Motor austritt. Trocknen Sie außerdem die Elektroden der Zündkerze.



#### B: Warmstart

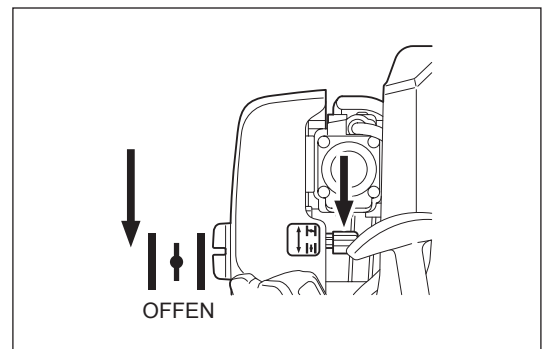
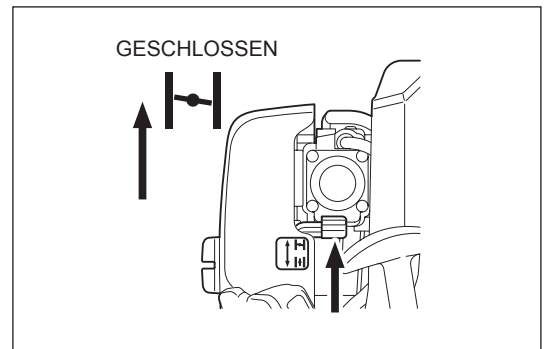
- 1) Betätigen Sie mehrmals leicht die Anlasseinspritzpumpe.
- 2) Halten Sie den Gashebel in der Leerlaufposition.
- 3) Ziehen Sie den Seilzugstarter kräftig durch.
- 4) Falls sich der Motor schwer starten lässt, öffnen Sie den Gashebel auf ca. 1/3. Achten Sie auf die Schneidmesser, die Schneidmesser könnten sich unerwartet bewegen.

**Zu Zeiten, in denen das Starten des Motors schwieriger ist, beispielsweise im Winter, betätigen Sie zum Starten den Choke-Hebel wie im Folgenden erläutert:**

- Stellen Sie nach Ausführen der Schritte 1) bis 3) für den Start den Choke-Hebel auf die Position GESCHLOSSEN.
- Führen Sie Startschritt 4) aus, und starten Sie den Motor.
- Bringen Sie nach dem Starten des Motors den Choke-Hebel in die Stellung OFFEN.
- Führen Sie Startschritt 5) aus, und beenden Sie das Aufwärmen.

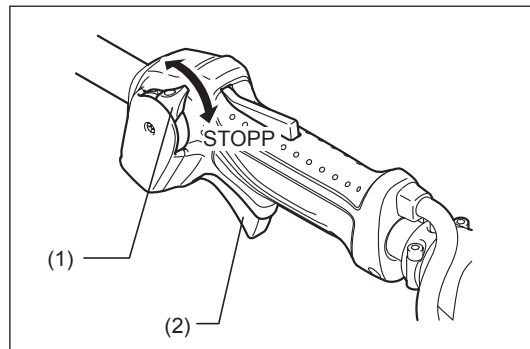
ACHTUNG: Falls Sie einen Knall (Explosionsgeräusch) hören und der Motor stoppt, oder der soeben gestartete Motor aus geht, bevor Sie den Choke-Hebel betätigen, bringen Sie den Choke-Hebel zurück in die Position OFFEN, und ziehen Sie den Startergriff einige weitere Male, um den Motor zu starten.

ACHTUNG: Falls sich der Choke-Hebel in der Position GESCHLOSSEN befindet, und der Startergriff wiederholt gezogen wird, wird zu viel Kraftstoff angesaugt, und der Motor wird sich nur schwer starten lassen.



## STOPPEN

- 1) Lassen Sie den Gashebel (2) vollkommen los, und drücken Sie, wenn sich die Motordrehzahl verlangsamt hat, den EIN/AUS-Schalter (1) in die Position STOPP, um den Motor zu stoppen.
- 2) Beachten Sie, dass die Schneidmesser nicht sofort stoppen, und warten Sie, bis die Schneidmesser vollkommen zum Stillstand gekommen sind.

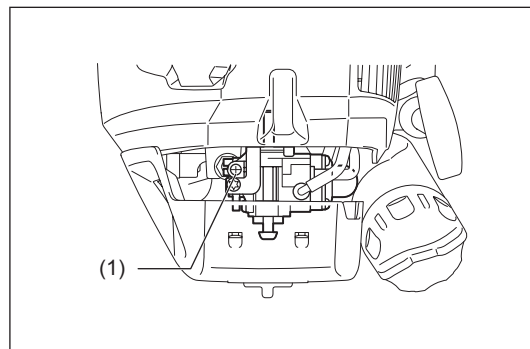


## EINSTELLEN DER LEERLAUFDREHZAHL

Passen Sie die Leerlaufdrehzahl bei Bedarf mit Hilfe der Vergaser-Einstellschraube (1) an.

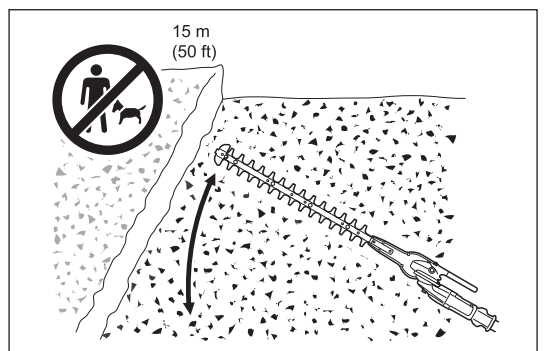
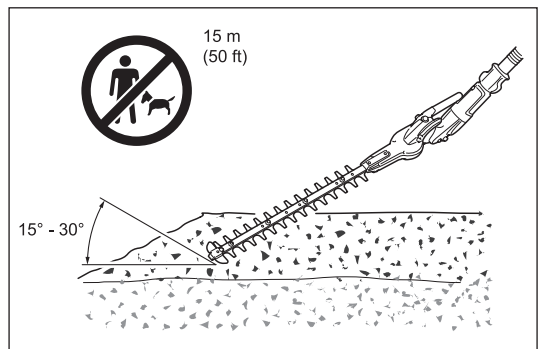
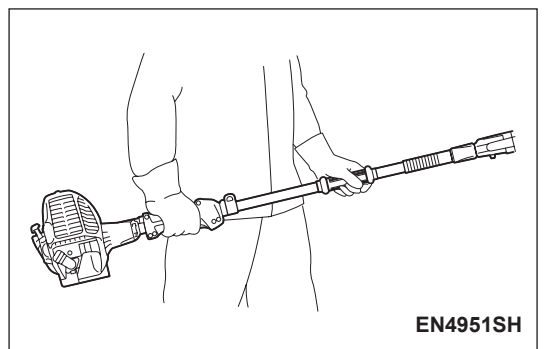
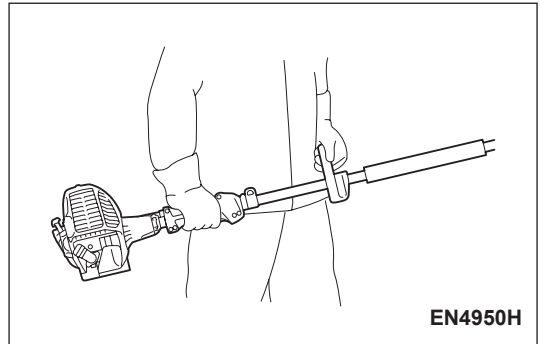
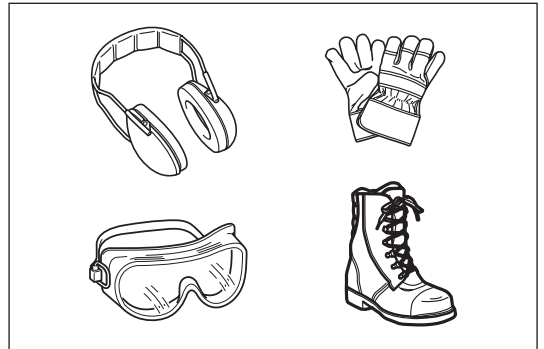
## ÜBERPRÜFEN DER LEERLAUFDREHZAHL

- Stellen Sie die Leerlaufdrehzahl auf  $3.000 \text{ min}^{-1}$  ein.  
Passen Sie die Leerlaufdrehzahl bei Bedarf an, indem Sie die Einstellschraube (1) mit einem Kreuzschlitz-Schraubendreher verstellen.
- Drehen Sie die Einstellschraube nach rechts, um die Motordrehzahl zu erhöhen.  
Drehen Sie die Einstellschraube nach links, um die Motordrehzahl zu verringern.
- Grundsätzlich wurde der Vergaser vor dem Versand eingestellt. Falls eine Neueinstellung erforderlich ist, wenden Sie sich bitte an ein autorisiertes Servicezentrum.



## BETREIBEN DES HECKENSCHNEIDERS

- Berühren Sie während der Arbeiten oder bei laufendem Motor nicht das Schneidwerk des Heckenschneiders.
- Achten Sie während der Arbeiten mit dem Heckenschneider besonders darauf, dass Sie die Abgase nicht einatmen. Betreiben Sie den Heckenschneider niemals in geschlossenen Räumen oder in einem Bereich ohne ausreichende Belüftung (Erstickengefahr und Gefahr einer Kohlenmonoxidvergiftung). Bedenken Sie, dass Kohlenmonoxid ein geruchloses Gas ist und vom Geruchssinn nicht bemerkt werden kann.
- Legen Sie vor Beginn der Arbeiten mit dem Heckenschneider immer eine geeignete Schutzkleidung und eine entsprechende Schutzausrüstung an.
- Stoppen Sie den Motor sofort, wenn der Schalldämpfer Anzeichen einer Fehlfunktion aufweist.
- Verwenden Sie den Heckenschneider nur bei guten Licht- und Sichtverhältnissen.
- Betreiben Sie den Heckenschneider nicht bei Dunkelheit oder bei Nebel. Achten Sie in der kalten Jahreszeit auf rutschige und nasse Flächen (Eis und Schnee, Rutschgefahr), und achten Sie immer auf sicheren Stand.
- Führen Sie Arbeiten mit dem Heckenschneider niemals auf einer instabilen Fläche oder an einem Steilhang stehend aus.
- Führen Sie Arbeiten mit dem Heckenschneider niemals auf einer Leiter stehend aus.
- Klettern Sie niemals auf Bäume, um dort Arbeiten mit dem Heckenschneider auszuführen.
- Achten Sie im Arbeitsbereich beständig auf Drähte, Kabel, Leinen, Glas oder sonstige Fremdkörper, die von den Schneidmessern erfasst werden könnten.
- Achten Sie vor Beginn des Schneidvorgangs darauf, dass sich die Schneidmesser schnell bewegen.
- Erfassen Sie den Heckenschneider immer mit beiden Händen, und halten Sie die Maschine während der Arbeiten mit festem Griff.
- Damit Sie den Heckenschneider optimal unter Kontrolle haben, legen Sie die Hände ganz um die Griffe (üben Sie mit dem Daumen einen Gegendruck aus), und erfassen Sie die Griffe mit festem Griff.
- Beachten Sie, dass sich die Schneidmesser nach dem Loslassen des Gashebels noch bis zu zwei Sekunden bewegen.
- Schneiden Sie mit dem Heckenschneider nicht bei niedrigen Drehzahlen.
- Bei niedrigen Drehzahlen des Motors kann die Geschwindigkeit der Schneidmesser nicht korrekt mit dem Gashebel reguliert werden.
- Zum Schneiden der Oberseite einer Hecke richten Sie zuerst die Schneidmesser in einem Winkel von 15° bis 30° zur Schneidrichtung aus, und belassen Sie den Heckenschneider in der waagerechten Position. Beginnen Sie dann die Hecke mit schwingenden Bewegungen zu schneiden, als ob Sie mit der Achse des Heckenschneiders Kreise ziehen würden.
- Um die Seitenflächen einer Hecke zu schneiden, richten Sie zuerst die Schneidmesser parallel zur zu schneidenden Fläche aus, und beginnen Sie das Schneiden mit halbkreisförmigen Bewegungen (von unten nach oben).
- Geben Sie beim Schneiden von Hecken in der Nähe oder an Drahtzäunen besondere Obacht.
- Achten Sie darauf, dass die Schneidmesser keine harten Objekte wie beispielsweise Drahtzäune, Steine oder den Boden berühren. Bei Berührung solcher Gegenstände können Schneidmesser bersten, reißen oder abbrechen.
- Arbeiten Sie nicht über einen zu langen Zeitraum mit dem Heckenschneider. Als allgemeine Regel gilt, dass Sie nach 50 Minuten Arbeit eine Pause von 10 bis 20 Minuten einlegen sollten.
- Falls die Schneidmesser in Kontakt mit Steinen oder anderen Festkörpern gekommen sind, stoppen Sie sofort den Motor, und prüfen Sie die Schneidmesser auf Beschädigungen. Ersetzen Sie beschädigte Messer.
- Wenn Sie während des Betriebs des Heckenschneiders Anzeichen von Problemen bemerken (seltsame Geräusche, Vibrationen usw.), stoppen Sie sofort den Motor. Verwenden Sie den Heckenschneider erst dann wieder, nachdem die Ursache für das Problem gefunden und behoben wurde.
- Seien Sie stets bemüht, Umweltbelastung und Geräuschentwicklung so gering wie möglich zu halten. Achten Sie besonders auf eine korrekte Einstellung des Vergasers.
- Wenn sich dickere Äste in den Schneidmessern verklemmen, schalten Sie sofort den Motor aus, legen Sie die Maschine auf den Boden ab, und beheben Sie die Blockade. Prüfen Sie vor erneuter Verwendung der Maschine die Schneidmesser auf Beschädigungen.





## Anpassung des Schneidwinkels

### Warnung:

- Bedienen Sie das Werkzeug nicht mit gelockertem und unstabilem Schneidwerk.

Sie können den Schnittwinkel zwischen 45° aufwärts und 90° abwärts einstellen.

1. Halten Sie den Motor der Stabheckenschere an und legen Sie die Maschine auf den Boden.
2. Zum Anpassen des Winkels des Schneidwerks, halten Sie mit der einen Hand den Griff (A) auf dem Schneidwerk und mit der anderen Hand den Feststellwinkel (B), wie im Bild angezeigt.
3. Ziehen Sie den Feststellwinkel leicht an und ändern Sie den Winkel des Schneidwerks. Nachdem Sie den Winkel eingestellt haben, stellen Sie den Feststellwinkel sanft zurück.

### Hinweis:

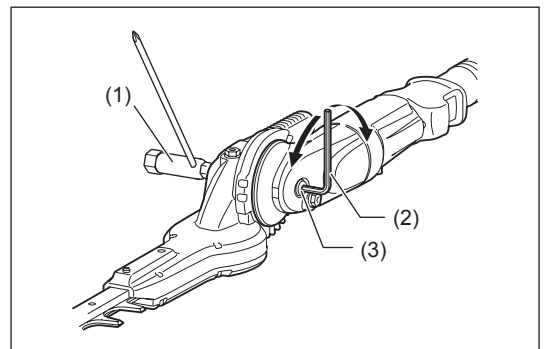
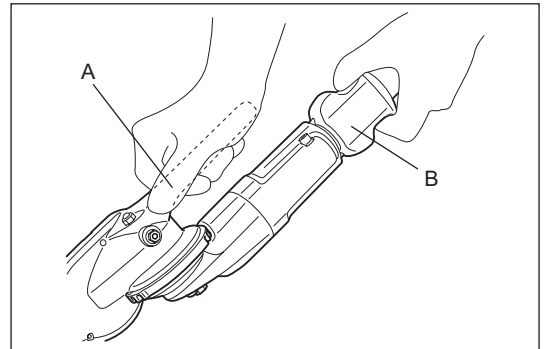
- Das Schneidwerk wird nur mit bestimmten Winkeln längs der Einschnitte auf der Einheit gesichert. Vergewissern Sie sich, dass das Schneidwerk einen guten Sitz hat. Sollte der Winkel nicht entsprechen, wird die Kupplung abgeschaltet und das Werkzeug wird nicht in Betrieb gesetzt.
- Passen Sie nicht das Schneidwerk an, während sich die Stabheckenschere in senkrechter Position befindet.
- Setzen Sie den EIN/AUS-Schalter auf die Position "O" legen Sie die Stabheckenschere flach auf den Boden, um den Schnittwinkel anzupassen.
- Sichern Sie die Messer immer mit dem dazu gelieferten Schneidblattschutz bevor Sie den Schneidwinkel anpassen.

Sollte das Schneidwerk lose sein, muss die Schraube (die Achse der Winkeleinstellung) festgezogen werden.

1. Setzen Sie den Steckschlüssel (1) und den Innensechskantschlüssel (2) auf die Schraube (3).
2. Passen Sie die Festigkeit des Schneidwerks so an, dass Sie den Steckschlüssel drehen, danach befestigen Sie die Schraube, indem Sie den Innensechskantschlüssel drehen.

### Hinweis:

- Ziehen Sie das Schneidwerk nicht zu fest an. Der Winkel des Schneidwerks kann nicht mehr geändert werden, wenn er zu stark festgezogen wird.



## WARTUNG

- Stoppen Sie immer erst den Motor, und warten Sie, bis sich der Motor abgekühlt hat, bevor Sie Wartungsarbeiten am Heckenschneider (Reinigen des Schneidwerks usw.) ausführen. Ziehen Sie zur Sicherheit auch den Zündkerzenstecker ab.
- Versuchen Sie nicht, verbogene Schneidmesser zu begradigen oder zu schweißen. Beschädigte Schneidmesser müssen unbedingt ausgetauscht werden.
- Stoppen Sie den Motor in regelmäßigen Abständen, und überprüfen Sie die Schneidmesser auf mögliche Beschädigungen (prüfen Sie durch einen Klopfest auf schwer erkennbare Haarrisse). Sorgen Sie immer dafür, dass die Zähne der Schneidmesser gut geschärft sind.
- Reinigen Sie den Heckenschneider regelmäßig. Überprüfen Sie bei der Einigung auch, ob alle Schrauben und Muttern ordnungsgemäß festgezogen sind.
- Führen Sie Wartungsarbeiten am Heckenschneider niemals in der Nähe von offenen Flammen aus, und bewahren Sie den Heckenschneider nicht in der Nähe von offenen Flammen auf. Brandgefahr!
- Tragen Sie beim Umgang mit den Schneidmessern immer robuste Schutzhandschuhe.
- Ersatz-Schneidmesser erhalten Sie von Ihrem Händler.
- Verwenden Sie zum Reinigen niemals Kraftstoffe, Benzin, Verdünner, Alkohol oder ähnliches. Dies kann zu Verfärbungen, Verformungen oder Rissen führen.

### Schärfen der Schneidmesser

Wenn die Schneidmesser stumpf geworden sind und keine ausreichende Schneidleistung mehr erbringen, lassen Sie die Schneidmesser in Ihrem autorisierten Servicecenter schärfen.

### Nachstellen des Spiels zwischen oberem und unterem Schneidmesser

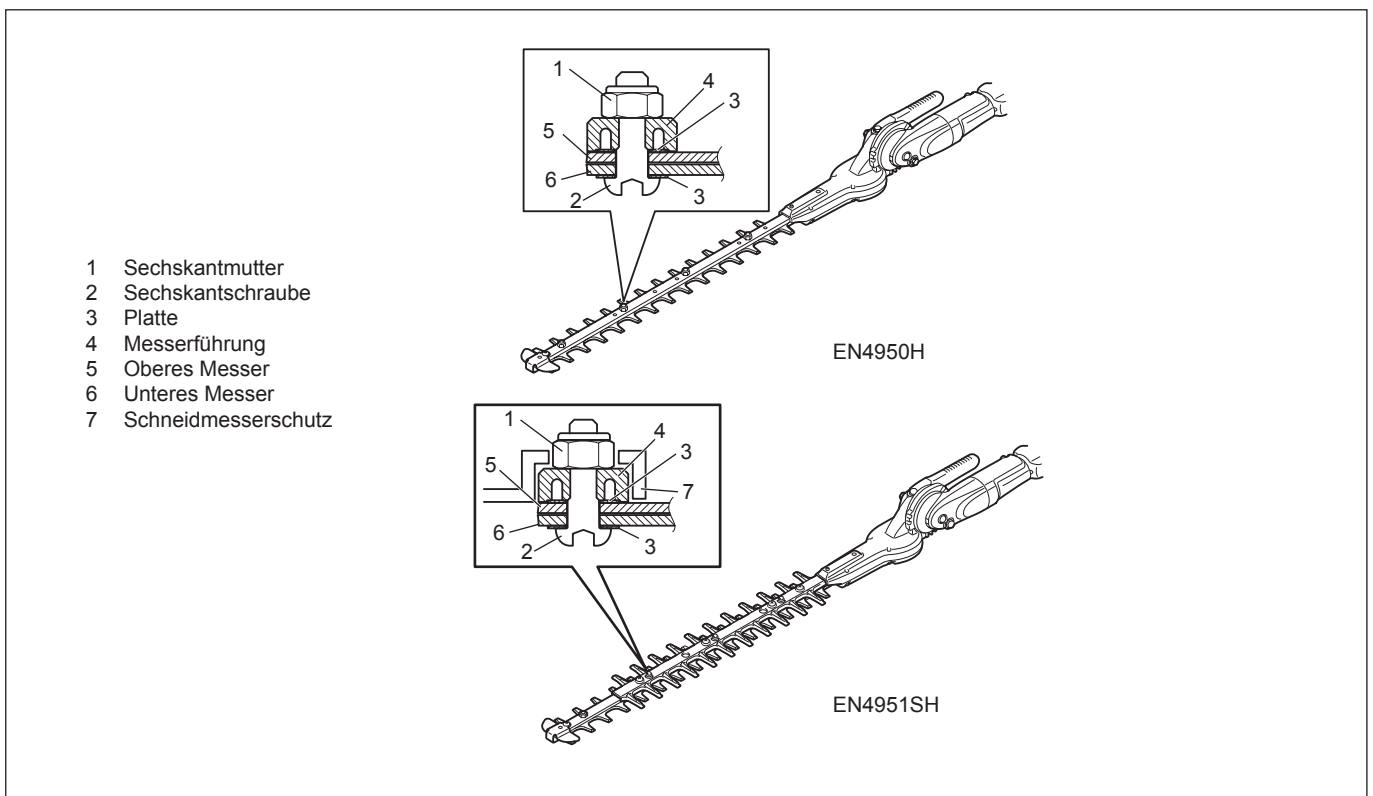
Die oberen/unteren Messer verschleifen allmählich, nachdem Sie in Betrieb genommen werden. Wenn kein sauberer Schnitt gelingt, obwohl die Schneidmesser scharf genug sind, stellen Sie das Spiel zwischen den Schneidmessern wie folgt nach:

Das Spiel zwischen den Schneidmessern wird durch das Anzugsmoment der Sechskantschraube bestimmt. Die Mutter hält die Sechskantschraube mit einem bestimmten Anzugsmoment. Ein zu großes Spiel führt zu einem unsauberen Schnitt, ein zu geringes Spiel hingegen führt zu einer unnötigen Erwärmung und zu einem schnelleren Verschleiß der Schneidmesser.

1. Lösen Sie mit Hilfe eines Ring- oder Maulschlüssels die Mutter (1).
2. Ziehen Sie die Sechskantschraube (2) mit Hilfe eines Innensechskantschlüssels leicht fest, bis sie sich nicht mehr leicht drehen lässt. Lösen Sie die Sechskantschraube anschließend wieder um eine viertel bis eine halbe Drehung, um das notwendige Spiel einzustellen.
3. Halten Sie die Sechskantschraube (2) fest, und ziehen Sie die Mutter (1) fest.
4. Bringen Sie auf die Kontaktflächen der Schneidmesser etwas dünnes Öl auf.
5. Starten Sie den Motor, und betreiben Sie den Motor eine Minute lang, wobei Sie immer wieder Gas geben und wegnehmen.
6. Stoppen Sie den Motor, und berühren Sie die Oberfläche der Schneidmesser. Wenn die Schneidmesser nicht zu heiß sind, um sie zu berühren, ist die Einstellung in Ordnung. Sind die Schneidmesser zu heiß zum Berühren, lösen Sie die Sechskantschraube (2) etwas, und wiederholen Sie die Schritte 5 bis 6.

**HINWEIS:** Stoppen Sie den Motor, und warten Sie, bis die Schneidmesser vollständig zum Stillstand gekommen sind, bevor Sie Einstellungen vornehmen.

In den Schneidmessern befinden sich um die Sechskantschraube (2) Schlitze. Falls diese Schlitze mit Staub verstopft sind, reinigen Sie die Schlitze.

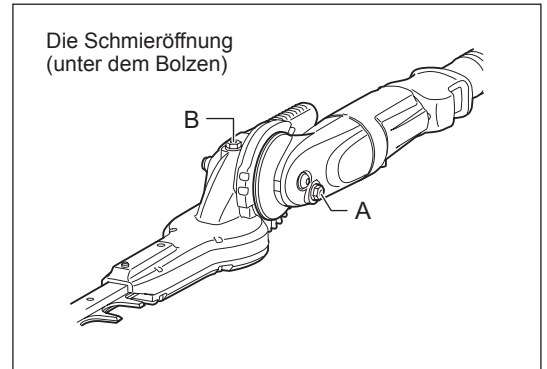


## Schmieren

**Wichtig: Warten Sie vor dem Schmieren unbedingt, bis das Getriebe vollständig abgekühlt ist.**

- Das Getriebe der Heckenschneiders sollte nach jeweils 25 Betriebsstunden geschmiert werden. Die Schmieröffnung befindet sich unter der Schraube. Schrauben Sie zum Schmieren des Getriebes die Schraube heraus. Geben Sie in das Schmieröffnung ca. 3 g (4 cc) Schmierstoff auf den Punkt A des Getriebes und 5 g (7 cc) auf den Punkt B. Nach der Schmierung drehen Sie den Bolzen wieder fest. Nach dem Einfüllen der richtigen Menge an Schmiermittel tritt beim ersten Betrieb etwas Schmiermittel aus der Basis des Messers aus.

**ACHTUNG:** Halten Sie die Zeitabstände für die Schmierung und die einzufüllende Menge an Schmierfett ein.  
Wenn der Heckenschneider nicht in den vorgegebenen Zeitabständen geschmiert wird, oder wenn zu wenig Schmierfett eingefüllt wird, kann es zu Schäden an mechanischen Bauteilen des Heckenschneiders kommen.



## Tägliche Inspektionen und Wartungsarbeiten

Damit eine lange Lebensdauer Ihres Heckenschneiders gegeben ist, führen Sie täglich die folgenden Inspektionen und Wartungsarbeiten aus.

- Vor der Verwendung:
  - Überprüfen Sie den Heckenschneider vor Beginn der Arbeiten auf lose oder fehlende Bauteile. Überprüfen Sie insbesondere das Schneidwerk sorgfältig, und achten Sie darauf, dass die Befestigungsschrauben der Schneidmesser ordnungsgemäß festgezogen sind.
  - Sorgen Sie vor Beginn der Arbeiten dafür, dass die Kühlluftdurchgänge und die Kühllamellen des Zylinders nicht verstopft sind. Reinigen Sie diese bei Bedarf.
- Nach der Verwendung:
  - Reinigen Sie den Heckenschneider äußerlich und überprüfen Sie den Heckenschneider auf Beschädigungen.
  - Reinigen Sie den Luftfilter. Reinigen Sie den Luftfilter bei Arbeiten unter extrem staubigen Bedingungen mehrmals täglich.
  - Überprüfen Sie die Schneidmesser auf Beschädigungen. Stellen Sie sicher, dass die Schneidmesser ordnungsgemäß befestigt sind.
  - Falls sich die Schneidmesser im Leerlauf auch nach dem Einstellen der Leerlaufdrehzahl weiter bewegen, wenden Sie sich an Ihr autorisiertes Servicezentrum.

## WECHSELN DES MOTORÖLS

Überaltertes Motoröl verkürzt die Lebensdauer der gleitenden und rotierenden Teile deutlich. Nehmen Sie daher unbedingt in den angegebenen Zeitabständen einen Ölwechsel vor, und füllen Sie unbedingt die vorgegebene Menge an Frischöl ein.



**GEFAHR:** Im Allgemeinen sind der Motorblock und das Motoröl nach dem unmittelbaren Stopp des Motors noch heiß. Überprüfen Sie vor einem Ölwechsel, ob sich der Motorblock und das Motoröl ausreichend abgekühlt haben. Andernfalls besteht Verbrennungsgefahr. Warten Sie nach dem Stoppen des Motors ausreichend lange, bis das Motoröl in den Öltank zurückgelaufen ist, damit der korrekte Ölstand abgelesen werden kann.

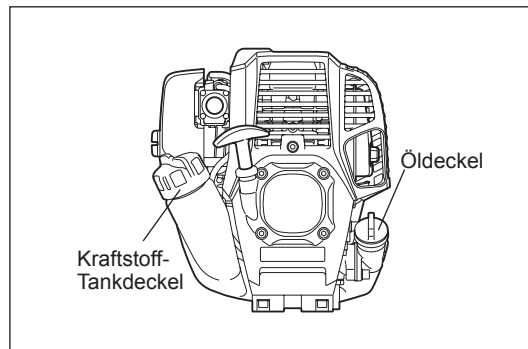
**HINWEIS:** Falls zu viel Öl eingefüllt wird, kann das Öl verschmutzt werden oder mit weißer Rauchentwicklung verbrennen.

**Zeiträume für den Ölwechsel:** Nach den ersten 20 Betriebsstunden, anschließend nach jeweils 50 Betriebsstunden

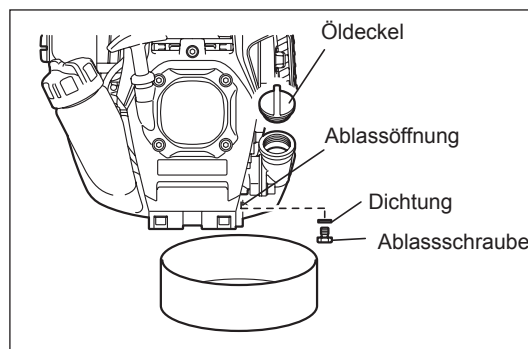
**Empfohlenes Öl:** Öl der API-Klassifikation SAE 10W-30, Klasse SF oder höher (Viertaktmotor für Autos)

So führen Sie einen Ölwechsel aus:

- 1) Stellen Sie sicher, dass der Kraftstoff-Tankdeckel ordnungsgemäß festgeschraubt ist.
- 2) Stellen Sie einen Behälter ausreichender Größe (Auffangwanne, usw.) unter die Ablassöffnung.

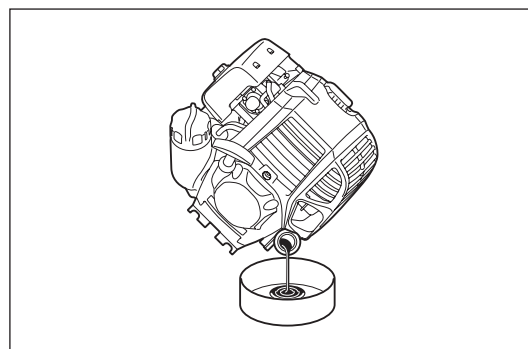


- 3) Drehen Sie die Ablassschraube heraus, und nehmen Sie anschließend den Öldeckel ab, damit das Öl aus der Ablassöffnung fließt. Bewahren Sie die Dichtung der Ablassschraube gut auf, und achten Sie darauf, dass die ausgebauten Teile nicht verschmutzen.
- 4) Nachdem alles Öl abgelassen wurde, setzen Sie die Dichtung wieder auf die Ablassschraube auf, und ziehen Sie die Ablassschraube fest, so dass sich diese nicht löst und ein Leck verursacht.  
\* Wischen Sie an Schraube und Maschine anhaftendes Öl mit einem Tuch ab.

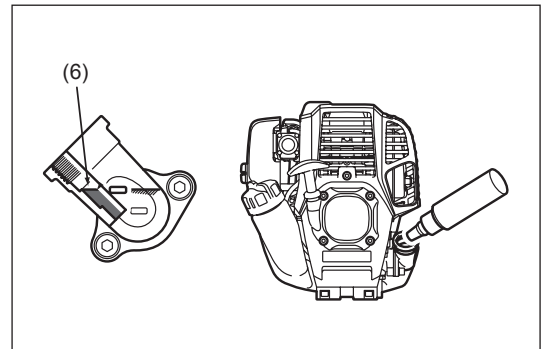
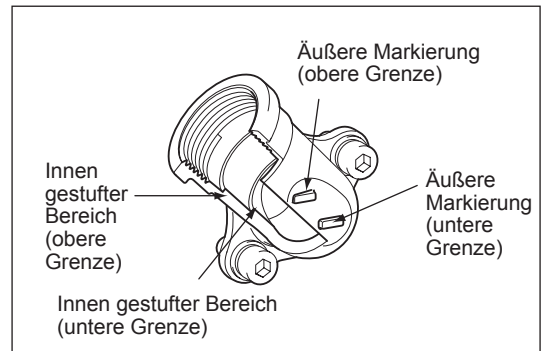


### Alternative Ablassmethode

Nehmen Sie den Öldeckel ab, neigen Sie den Heckenschneider in Richtung Öleinfüllöffnung, und lassen Sie das Öl ab. Sammeln Sie das Öl in einem Behälter.



- 5) Legen Sie den Motor waagrecht ab, und füllen Sie nach und nach Frischöl bis zur Markierung (6) der Obergrenze auf.
- 6) Ziehen Sie nach dem Auffüllen den Öldeckel fest, so dass sich dieser nicht löst und ein Auslaufen von Öl verursacht. Falls der Öldeckel nicht sicher festgezogen ist, kann Öl auslaufen.



#### WICHTIGE PUNKTE ZUM ÖL

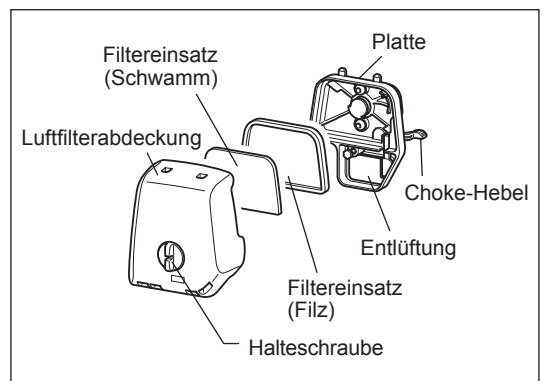
- Entsorgen Sie Altöl niemals über den Hausmüll, in die Erde oder in Abwassersysteme. Die Altöleentsorgung ist gesetzlich geregelt. Halten Sie bei der Entsorgung stets die entsprechenden Gesetze und Bestimmungen ein. Wenden Sie sich bei Unklarheiten an ein autorisiertes Servicezentrum.
- Öl altert mit der Zeit, auch wenn es nicht verwendet wird. Führen Sie regelmäßig eine Überprüfung und einen Ölwechsel durch (Ölwechsel aller 6 Monate).

#### Reinigen des Luftfilters

##### GEFAHR: OFFENE FLAMMEN STRENGSTENS VERBOTEN!

Überprüfen und reinigen Sie den Luftfilter täglich bzw. spätestens nach 10 Betriebsstunden.

- Drehen Sie den Choke-Hebel vollständig zu, und halten Sie den Vergaser frei von Staub und Schmutz.
- Lösen Sie die Halteschraube.
- Nehmen Sie die Luftfilterabdeckung ab.
- Entnehmen Sie die Filtereinsätze, und klopfen Sie den Schmutz aus den Einsätzen.
- Wenn die Filtereinsätze stark verschmutzt sind: Entnehmen Sie die Filterelemente, tauchen Sie diese in warmes Wasser oder in Wasser mit verdünntem neutralem Reinigungsmittel, und lassen Sie die Filtereinsätze anschließend vollständig trocknen. Drücken und schrubben Sie die Filtereinsätze beim Reinigen nicht.
- Lassen Sie die Filtereinsätze vollständig trocknen, bevor Sie die Filtereinsätze wieder einbauen. Bei unzureichender Trocknung der Filtereinsätze können Schwierigkeiten beim Starten des Motors auftreten.
- Wischen Sie anhaftendes Öl um die Luftfilterabdeckung und die Entlüftung mit einem Putzlappen ab.
- Passen Sie den Filtereinsatz (Schwamm) in den anderen Filtereinsatz (Filz) ein. Passen Sie die Filtereinsätze so in die Platte ein, dass der Schwamm in Richtung Luftfilterabdeckung zeigt.
- Bringen Sie die Luftfilterabdeckung unverzüglich an, und sichern Sie diese mit Hilfe der Halteschraube. (Bringen Sie bei der Wiedermontage zuerst die obere Klemme und dann die untere Klemme wieder an.)



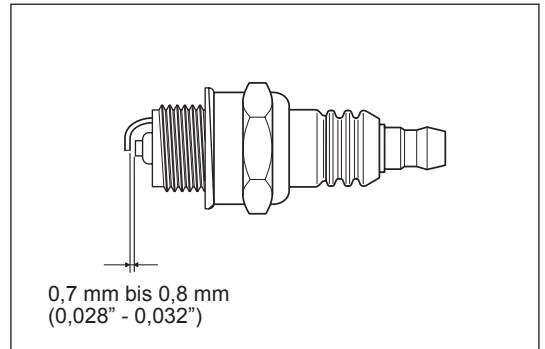
#### HINWEIS:

- Wenn übermäßig Staub an den Filtereinsätzen anhaftet, reinigen Sie die Filtereinsätze mehrere Male am Tag. Verschmutzte Filtereinsätze führen zum Absinken der Motorleistung und erschweren das Starten des Motors.
- Reinigen Sie die Filtereinsätze von Öl. Falls der Betrieb mit överschmutzten Filtereinsätzen fortgesetzt wird, kann Öl aus dem Luftfilter austreten und zu einer Ölverschmutzung führen.
- Legen Sie die Filtereinsätze nicht auf der Erde oder an verschmutzten Stellen ab. Andernfalls können anhaftender Staub oder Schmutz Schäden am Motor verursachen.
- Verwenden Sie zum Reinigen der Filtereinsätze niemals Kraftstoff. Die Filtereinsätze können durch Kraftstoff beschädigt werden.

## ÜBERPRÜFEN DER ZÜNDKERZE

- Schrauben Sie die Zündkerze ausschließlich mit dem mitgelieferten Universalschlüssel heraus- und ein.
- Der Abstand zwischen den Elektroden der Zündkerze muss zwischen 0,7 und 0,8 mm liegen. Wenn der Abstand zu klein oder zu groß ist, korrigieren Sie den Abstand. Wenn die Zündkerze verschmutzt oder verstopft ist, reinigen Sie diese gründlich oder ersetzen Sie sie.

**ACHTUNG:** Berühren Sie bei laufendem Motor niemals den Zündkerzenstecker (Gefahr eines Hochspannungsschlags).



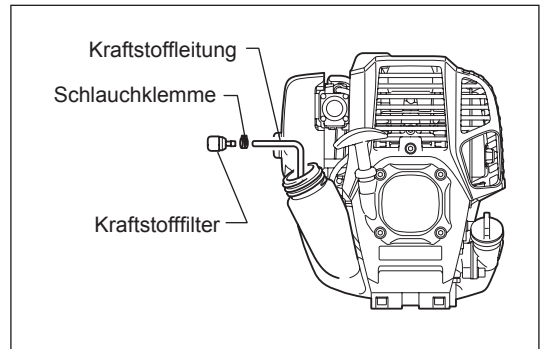
## Reinigen des Kraftstofffilters (Ansaugkopf im Kraftstofftank)

**WARNUNG: UMGANG MIT OFFENEN FLAMMEN STRENGSTENS VERBOTEN!**  
Überprüfen und reinigen Sie den Kraftstofffilter monatlich bzw. spätestens nach 50 Betriebsstunden.

Überprüfen Sie den Kraftstofffilter regelmäßig. Führen Sie die unten genannten Schritte aus, um den Kraftstofffilter zu überprüfen:

- (1) Nehmen Sie den Tankdeckel ab, und lassen Sie den Kraftstoff ab, bis der Tank leer ist. Überprüfen Sie das Tankinnere auf Fremdkörper. Entfernen Sie diese, falls vorhanden.
- (2) Ziehen Sie mit Hilfe eines Drahtakens den Ansaugkopf durch die Tanköffnung.
- (3) Wenn der Kraftstofffilter leicht verschmutzt ist, reinigen Sie den Kraftstofffilter. Reinigen Sie den Kraftstofffilter, indem Sie ihn in Kraftstoff schütteln und ausklopfen. Drücken oder reiben Sie den Filter nicht, da der Filter dadurch beschädigt werden könnte. Der für das Reinigen verwendete Kraftstoff muss entsprechend der örtlich geltenden Gesetze und Bestimmungen entsorgt werden.  
Wenn der Kraftstofffilter verhärtet oder stark verstopft ist, tauschen Sie den Filter aus.
- (4) Drücken Sie den Kraftstofffilter nach dem Überprüfen, Reinigen oder Austauschen bis ganz nach unten in den Kraftstofftank.

Ein verstopfter oder beschädigter Kraftstofffilter kann zu einer unzureichenden Zufuhr von Kraftstoff und zu einem Absinken der Motorleistung führen. Tauschen Sie den Kraftstofffilter mindestens alle 3 Monate aus, damit die Zufuhr von ausreichend Kraftstoff zum Vergaser sichergestellt ist.



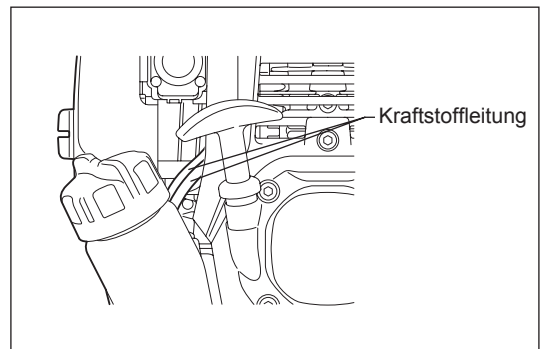
## Austauschen der Kraftstoffleitung

**ACHTUNG: OFFENE FLAMMEN STRENGSTENS VERBOTEN!**

Überprüfen und reinigen Sie die Kraftstoffleitung täglich bzw. spätestens nach 10 Betriebsstunden.

Tauschen Sie die Kraftstoffleitung nach 200 Betriebsstunden oder spätestens, unabhängig von der Betriebsdauer, jährlich aus. Anderenfalls kann es zu einem Brand durch austretenden Kraftstoff kommen.

Falls Sie austretenden Kraftstoff bemerken, tauschen Sie die Kraftstoffleitung sofort aus.



## INSPEKTION VON SCHRAUBEN UND MUTTERN

- Ziehen Sie lose Schrauben, Muttern usw. wieder fest.
- Prüfen Sie auf Kraftstoff- und Ölleckagen.
- Tauschen Sie beschädigte Bauteile durch neue aus, damit ein sicherer Betrieb gegeben ist.

## REINIGEN VON BAUTEILEN

- Halten Sie den Motor stets sauber, wischen Sie den Motor mit einem Putzlappen ab.
- Halten Sie die Zylinderlamellen frei von Sand und Staub. An den Lamellen anhaftender Staub und Schmutz kann zum Festfressen des Kolbens führen.

## AUSTAUSCHEN VON DICHTUNGEN

Setzen Sie nach einem Zerlegen des Motors neue Dichtungen ein.

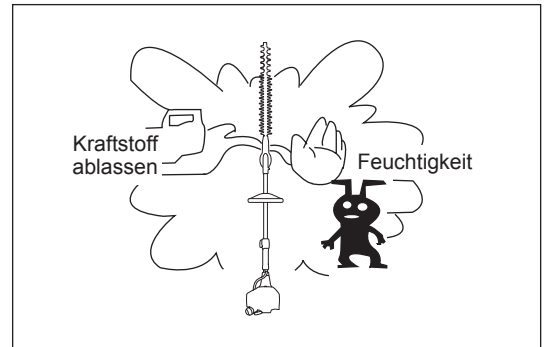
Falls Wartungsarbeiten und Einstellungen vorgenommen werden müssen, die nicht in dieser Betriebsanleitung erläutert sind, wenden Sie sich an Ihr autorisiertes MAKITA Servicecenter.

## AUFBEWAHRUNG

**WARNUNG:** Stoppen Sie vor dem Ablassen des Kraftstoffs unbedingt den Motor, und warten Sie, bis sich der Motor abgekühlt hat. Andernfalls kann es zu Verbrennungen oder zu einem Brand kommen.

**ACHTUNG:** Wenn die Maschine für längere Zeit eingelagert wird, lassen Sie den gesamten Kraftstoff aus Tank und Vergaser ab, und lagern Sie die Maschine an einem trockenen und sauberen Ort.

- Gehen Sie zum Ablassen des Kraftstoffs aus dem Tank und dem Vergaser wie folgt vor:
  - 1) Nehmen Sie den Kraftstoff-Tankdeckel ab, und lassen Sie den Kraftstoff vollständig ab.  
Entfernen Sie ggf. im Kraftstofftank zurückbleibende Fremdkörper vollständig.
  - 2) Ziehen Sie mit Hilfe eines Drahhakens den Kraftstofffilter durch die Tanköffnung.
  - 3) Betätigen Sie die Anlasseinspritzpumpe, bis der Kraftstoff aus der Pumpe abgeleitet wurde, und lassen Sie den in den Tank gelangten Kraftstoff aus dem Tank ab.
  - 4) Setzen Sie den Filter wieder in den Kraftstofftank ein, und ziehen Sie den Tankdeckel sicher fest.
  - 5) Betreiben Sie die Maschine, bis sie stehenbleibt.
- Schrauben Sie die Zündkerze heraus, und geben Sie einige wenige Tropfen Öl in die Zündkerzenöffnung.
- Ziehen Sie anschließend den Startergriff leicht, sodass das Öl über die Innenseite des Zylinders verteilt wird, und schrauben Sie dann die Zündkerze wieder ein.
- Ziehen Sie den Schutz über die Schneidmesser.
- Lagern Sie das Gerät grundsätzlich in waagerechter Position oder mit der Motoreinheit nach unten zeigend. Andernfalls kann enthaltenes Motoröl auslaufen.
- Achten Sie dabei auf einen sicheren Stand des Gerätes, um ein Umfallen und damit Verletzungen und Beschädigungen an Mensch oder Maschine zu vermeiden.
- Bewahren Sie den abgelassenen Kraftstoff in einem zugelassenen Behälter an einem gut belüfteten und schattigen Ort auf.



### Maßnahmen nach einer längeren Lagerung

- Nehmen Sie nach einer längeren Lagerung vor dem Starten des Motors unbedingt einen Ölwechsel vor (siehe S. 116). Öl zersetzt sich mit der Zeit, auch wenn die Maschine nicht verwendet wird.

Position	Betriebsdauer	Vor jedem Betrieb	Täglich (10 h)	25 h	50 h	200 h	Außerbetriebnahme/ Einlagern	Seite in dieser Anleitung
Motoröl	Inspizieren/ Reinigen	○						107
	Wechseln				○*1			116
Festziehen von Bauteilen (Schraube, Mutter)	Inspizieren	○						118
Kraftstofftank	Reinigen/ Inspizieren	○						-
	Kraftstoff ablassen						○*3	119
Gashebel	Funktion überprüfen	○						109
Stoppeschalter	Funktion überprüfen	○						109, 111
Schneidmesser	Inspizieren	○	○					109, 114
Leerlaufdrehzahl	Inspizieren/ Einstellen		○					111
Luftfilter	Reinigen		○					117
Zündkerze	Inspizieren		○					118
Kühlluftkanal	Reinigen/ Inspizieren		○					118
Kraftstoffleitung	Inspizieren		○					118
	Wechseln					⊙*2		-
Schmierfett Getriebe	Nachfüllen			○				115
Kraftstofffilter	Reinigen/ Ersetzen				○			118
Abstand zwischen Lufteinlassventil und Luftauslassventil	Einstellen					⊙*2		-
Überholung Motor						⊙*2		-
Vergaser	Kraftstoff ablassen						○*3	119

\*1 Nehmen Sie den ersten Wechsel nach 20 Betriebsstunden vor.

\*2 Wenden Sie sich für eine Inspektion nach 200 Betriebsstunden an ein autorisiertes Servicezentrum oder an eine autorisierte Werkstatt.

\*3 Setzen Sie nach dem Leeren des Kraftstofftanks den Betrieb des Motors fort, damit der Vergaser geleert wird.



## FEHLERSUCHE

Überprüfen Sie erst ein Problem selbst, bevor Sie eine Reparatur anfordern. Falls eine Anomalie auftritt, kontrollieren Sie die Maschine anhand der Beschreibungen in dieser Betriebsanleitung. Gebrauchen Sie die Maschine nicht zweckentfremdet, und demontieren Sie Bauteile ausschließlich wie erläutert. Wenden Sie sich für Reparaturen an ein autorisiertes Servicezentrum oder einen Vertreter vor Ort.

Problem	Mögliche Ursache (Fehlfunktion)	Abhilfe
Motor startet nicht	Anlassenspritzpumpe nicht betätigt	Betätigen Sie die Pumpe 7 bis 10 Mal.
	Niedrige Ziehgeschwindigkeit des Starterseils	Ziehen Sie kräftig.
	Kraftstoffmangel	Füllen Sie Kraftstoff auf.
	Verstopfter Kraftstofffilter	Reinigen
	Gebrochene Kraftstoffleitung	Begradigen Sie die Kraftstoffleitung.
	Überalterter Kraftstoff	Überalterter Kraftstoff erschwert das Starten. Ersetzen Sie den überalterten Kraftstoff durch frischen. (Empfohlenes Austauschintervall: 1 Monat)
	Übermäßige Kraftstoffansaugung	Stellen Sie den Gashebel von mittlerer Drehzahl auf hohe Drehzahl ein, und ziehen Sie den Startergriff, bis der Motor startet. <b>Nach dem Start des Motors beginnen sich die Schneidmesser zu bewegen. Achten Sie auf die Schneidmesser.</b> Falls der Motor nicht startet, schrauben Sie die Zündkerze heraus, trocknen Sie die Elektroden ab, und schrauben Sie die Zündkerze wieder wie vorher ein. Starten Sie wie angegeben.
	Zündkerzenstecker gelöst	Ordnungsgemäß anschließen
	Verschmutzte Zündkerze	Reinigen
	Falscher Abstand der Zündkerzenelektroden	Stellen Sie den Abstand ein.
	Andere Anomalie der Zündkerze	Wechseln
	Problem mit dem Vergaser	Fordern Sie eine Inspektion und Wartung an.
	Starterseil kann nicht gezogen werden	Fordern Sie eine Inspektion und Wartung an.
Problem mit dem Antriebssystem	Fordern Sie eine Inspektion und Wartung an.	
Motor stoppt gleich Motordrehzahl erhöht sich nicht	Unzureichendes Aufwärmen	Führen Sie einen Aufwärmbetrieb durch.
	Choke-Hebel ist auf „I“ gestellt, obwohl der Motor vorgewärmt wurde	Stellen Sie den Choke-Hebel auf „III“.
	Verstopfter Kraftstofffilter	Reinigen oder Ersetzen
	Verschmutzter oder verstopfter Luftfilter	Reinigen
	Problem mit dem Vergaser	Fordern Sie eine Inspektion und Wartung an.
	Problem mit dem Antriebssystem	Fordern Sie eine Inspektion und Wartung an.
Schneidmesser bewegen sich nicht ↓ Motor sofort stoppen!	Unangemessener Winkel des Schneidwerks	Überzeugen Sie sich, dass der Feststellwinkel richtig einrastet.
	Schneidmesser-Befestigungsmutter gelöst	Ordnungsgemäß festziehen
	In den Schneidmessern haben sich Zweige verfangen.	Fremdkörper entfernen
	Problem mit dem Antriebssystem	Fordern Sie eine Inspektion und Wartung an.
Hauptblock vibriert nicht normal ↓ Motor sofort stoppen!	Gebrochene, verbogene oder abgenutzte Schneidmesser	Schneidmesser austauschen
	Schneidmesser-Befestigungsmutter gelöst	Ordnungsgemäß festziehen
	Problem mit dem Antriebssystem	Fordern Sie eine Inspektion und Wartung an.
Schneidmesser stoppen nicht sofort ↓ Motor sofort stoppen!	Zu hohe Leerlaufdrehzahl	Einstellen
	Gas-Seilzug hat sich gelöst	Ordnungsgemäß befestigen
	Problem mit dem Antriebssystem	Fordern Sie eine Inspektion und Wartung an.
Motor stoppt nicht ↓ Betreiben Sie den Motor im Leerlauf; und stellen Sie den Choke-Hebel auf „I“.	Steckverbinder getrennt	Ordnungsgemäß anschließen
	Problem mit dem Elektriksystem	Fordern Sie eine Inspektion und Wartung an.

Wenn der Motor nach dem Aufwärmen nicht startet:

Falls bei Überprüfung der o. g. Punkte kein Problem gefunden wurde, bringen Sie den Gashebel auf 1/3, und starten Sie den Motor.

Köszönjük, hogy MAKITA teleszkópos sövénynyírót választott. Nagy öröm számunkra, hogy olyan terméket mutathatunk be Önnek, amely egy hosszú fejlesztési program eredménye, és több év alatt felhalmozódott ismeretanyag felhasználásával készült.

Hogy a lehető legjobb eredményt érje el a MAKITA teleszkópos sövénynyíróval, kérjük, alaposan olvassa el ezt a kézikönyvet a készülék használata előtt, és kövesse az összes utasítást, biztosítandó a MAKITA teleszkópos sövénynyíró megfelelő működését.



## Tartalomjegyzék

## Oldal

Szimbólumok .....	122
Biztonsági utasítások.....	123
Műszaki adatok.....	128
Alkatrészek megnevezése.....	129
Összeszerelés .....	130
Vállszíj (rendelhető kiegészítő).....	130
Üzemanyag/utántöltés.....	131
Óvintézkedések a motor beindítása előtt .....	133
A teleszkópos sövénynyíró használata.....	136
Karbantartás .....	138
Tárolás.....	143
Hibaelhárítás .....	145

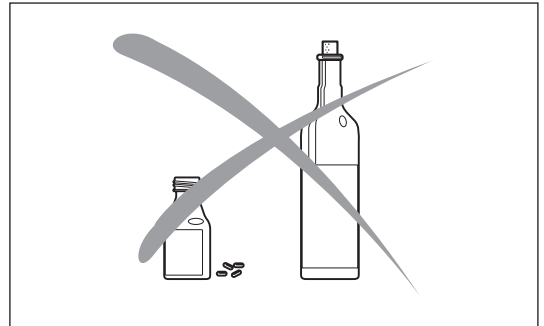
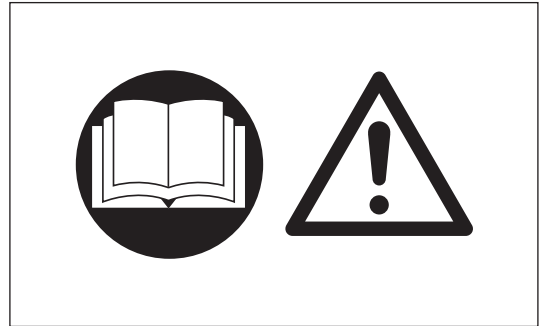
## SZIMBÓLUMOK

A használati utasítás olvasása közben a következő szimbólumokkal találkozhat.

	FIGYELEM/VESZÉLY		Kerülje el a becsípődést
	Használat előtt gondosan olvassa el és értelmezze ezt a kézikönyvet		Ügyeljen az elektromos vezetékekre, valamint elektromos áramütés veszélyére
	TILTÁS		Üzemanyag (benzin)
	Dohányozni tilos		Kézi motorindítás
	Nyílt láng használata tilos		Vészleállítás
	Viseljen védőcipőt		Elsősegély
	Viseljen védőkesztyűt		BE/INDÍTÁS
	Ne engedjen más személyeket vagy háziállatokat a munkaterületre		KI/LEÁLLÍTÁS
	Viseljen védősisakot, védőszemüveget és fülvédőt		

## Általános tudnivalók

- Használat előtt gondosan olvassa el ezt a kézikönyvet, hogy pontosan megismerje a teleszkópos sövénynyíró megfelelő kezelését. **AZ ESZKÖZ HELYTELEN HASZNÁLAT ESETÉN SÚLYOS SÉRÜLÉST OKOZHAT!**
- Mindig lássa el részletes utasításokkal azokat a személyeket, akiknek esetleg kölcsönadja a teleszkópos sövénynyíró. Minden esetben győződjön meg arról, hogy a használati utasítást is átadta a teleszkópos sövénynyíróval együtt.
- A kezdő felhasználók kérjenek segítséget a forgalmazótól a teleszkópos sövénynyíró megfelelő használatával kapcsolatban.
- A gyors tájékozódás érdekében tartsa ezt a kézikönyvet könnyen hozzáférhető helyen.
- Ne hagyja, hogy 18 éven aluli személy használja a teleszkópos sövénynyíró. Képzésben résztvevő 16 év feletti személyek azonban a teleszkópos sövénynyíró kezelését ismerő felnőtt felügyelete mellett használhatják az eszközt.
- A teleszkópos sövénynyíró mindig a lehető legnagyobb körültekintéssel és óvatossággal kezelje.
- Soha ne próbálja meg átalakítani az eszközt.
- Tartsa be a hazájában a teleszkópos sövénynyíró használatára vonatkozó előírásokat.
- Súlyos sérüléshez vezethet, ha a teleszkópos sövénynyíró használata a következő körülmények között történik. Ne használja a teleszkópos sövénynyíró:
  - Ha betegnek vagy fáradtnak érzi magát.
  - Alkohol és/vagy gyógyszer hatása alatt.
  - Gyenge fényviszonyok mellett vagy éjszaka.
  - Terhesség alatt.

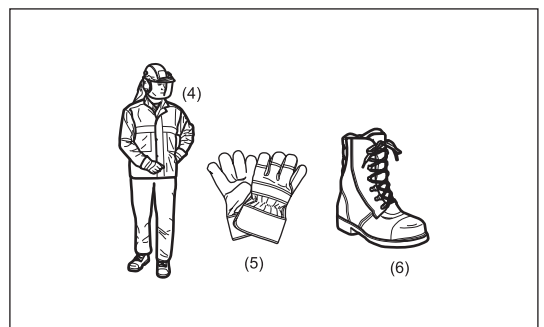
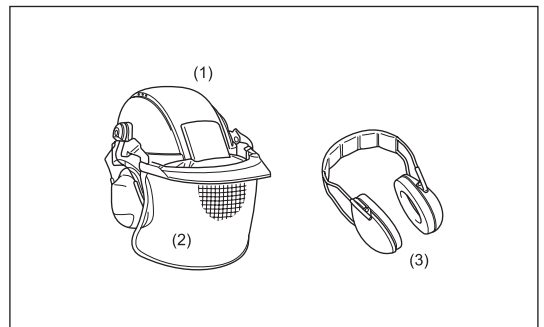


## Rendeltetészerű használat

- Ezt a teleszkópos sövénynyírót sövény és bozót vágására terveztük. A teleszkópos sövénynyíró ne használja más célra.

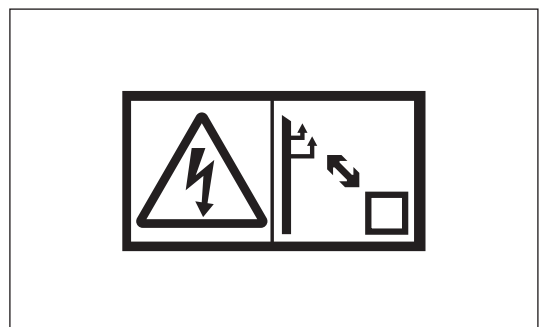
## Személyi védőeszközök

- Az eszközzel végzett munka során funkcionális, testhez simuló, a szabad mozgást nem gátoló ruházatot kell viselni. Ne viseljen ékszert vagy laza ruházatot, amely beakadhat az eszközbe vagy az aljnövényzetbe.
- A fej-, szem-, lábfej-, kézsérülések, illetve halláskárosodás elkerülése végett, a teleszkópos sövénynyíróval végzett munka során az alábbi védőfelszerelések és védőruházat viselése kötelező.
- A fej-, illetve szemsérülések megelőzése érdekében, mindig viseljen védősisakot (1), védőszemüveget vagy szemvédőt (2).
- A halláskárosodás elkerülése érdekében mindig viseljen megfelelő fülvédőt (3).
- Kifejezetten ajánlott testhezálló munkaoverall (4) viselete.
- A teleszkópos sövénynyíró használata során mindig viseljen erős, bőr munkavédelmi kesztyűt (5).
- A teleszkópos sövénynyíró használata során mindig viseljen csúszásmentes talpú, merev betétes bakancsot (6). A különleges munkavédelmi cipők megfelelő lábtartást biztosítanak és védenek a sérülések ellen.
- Viseljen védőkesztyűt, ha megérinti a késeket vagy a vágóegységet. Kesztyű viselése nélkül a kések súlyos vágási sérüléseket okozhatnak.



## A munkaterület biztonsága

- **⚠ VESZÉLY:** A teleszkópos sövénynyíró tartsa távol elektromos vezetékektől és hírközlési kábelektől. A nagyfeszültségű vezetékek teleszkópos sövénynyíróval történő megérintése vagy megközelítése súlyos sérülést vagy halálos balesetet okozhat. A munkavégzés megkezdése előtt ellenőrizze a munkaterület közelében lévő elektromos vezetékeket és elektromos kerítéseket.
- A motort csak jól szellőző, nyitott helyen indítsa be és üzemeltesse. Zárt vagy rosszul szellőző helyen történő üzemeltetés fulladásos halált vagy szén-monoxid mérgezést okozhat.
- Üzemeltetés közben ügyeljen arra, hogy a teleszkópos sövénynyírótól a környéken tartózkodó személyek, különösen a gyerekeket, illetve állatok legalább 15 m távolságra legyenek. Azonnal állítsa le a motort, ha valaki az említett távolságot nem tartja be.
- Üzemeltetés előtt vizsgálja át a teljes munkaterületet, hogy található-e rajta drótkerítés, kő vagy egyéb szilárd tárgy. Ezek a kések károsodását okozhatják.
- **⚠ FIGYELEM:** A termék használata során olyan vegyi anyagokat tartalmazó por képződhet, amelyek légzési vagy egyéb betegségeket okozhatnak. Ilyen vegyi anyagok találhatóak például a rovarirtó szerekben, növényvédő szerekben, trágyákban és gyomirtó szerekben. Az ilyen anyagoknak való kitettség kockázata attól függ, hogy Ön milyen gyakran végez ilyen jellegű munkát. Az ilyen vegyi anyagoknak való kitettség csökkentése érdekében dolgozzon jól szellőztetett helyen, a munkavégzéshez használjon erre a célra engedélyezett munkavédelmi felszereléseket, például kifejezetten a mikroszkopikus részecskék kiszűrésére kifejlesztett porvédő álarcot.



## A teleszkópos sövénynyíró beindítása

- Az eszköz összeállításának vagy beállításának megkezdése előtt állítsa le a motort, és vegye le a gyertyapipát.
- A teleszkópos sövénynyíró beindítása előtt, mindig győződjön meg arról, hogy a gép üzemeltetése biztonságos.
- Soha ne indítsa el a motort, ha az eszköz sérült.
- Ellenőrizze a gázkar biztonsági mechanizmus működését. A reteszelőkarnak akadálymentesen és könnyen kell járnia. Ellenőrizze, hogy megfelelően működik-e a reteszelőkar. Ellenőrizze, hogy a fogantyúk tiszták és szárazak-e, valamint ellenőrizze a leállítás kapcsoló megfelelő működését.

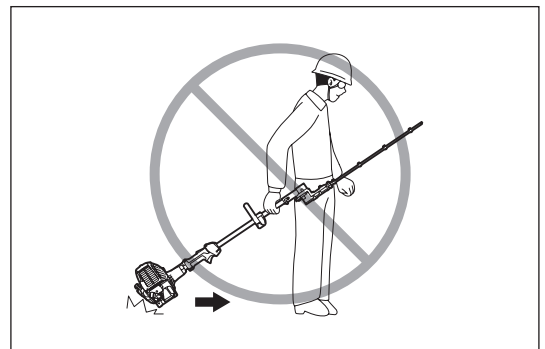
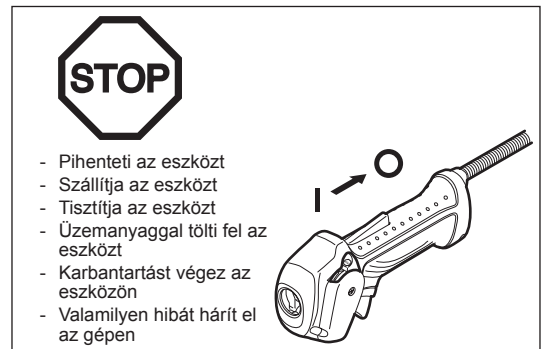
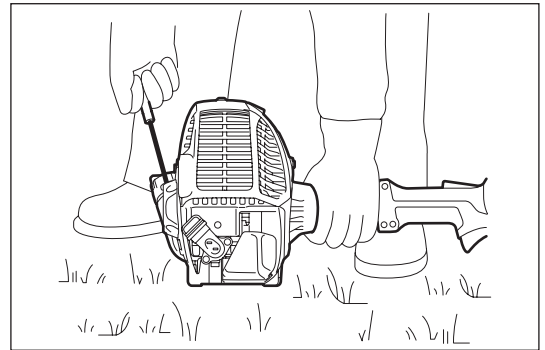
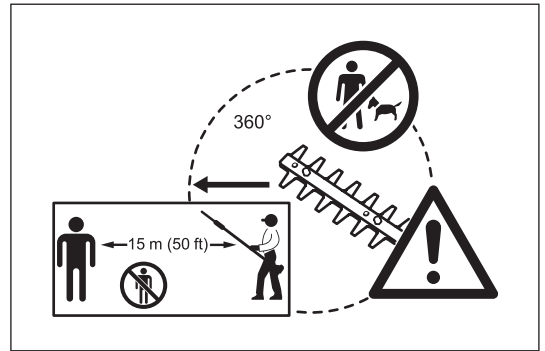
A teleszkópos sövénynyírót mindig az ebben a kézikönyvben megadott utasításoknak indítsa be.

## A teleszkópos sövénynyíró beindításához kövesse a lenti utasításokat

- A teleszkópos sövénynyírót csak azután indítsa be, hogy az eszközt teljesen összeszerelt, illetve minden tartozékot felszerelt.
- A motor beindításakor a késeket tartsa el a testétől és más objektumoktól, így talajtól is. Indításkor a kések megmozdulhatnak, és súlyos sérülést vagy anyagi kárt okozhatnak vagy maguk is károsodhatnak.
- A motor beindítása előtt ellenőrizze, hogy a vágókések útját nem akadályozza idegen tárgy, például kő, ág, stb.
- Azonnal állítsa le a motort, ha problémát tapasztal.
- Az indítógombot meghúzásakor bal kezével szorítsa a talajnak a meghajtó egységet. Soha ne lépjen rá a meghajtó tengelyére.
- Ha a kés alapjáraton mozog, állítsa le a motort, és csökkentse az alapjárat fordulatszámot.
- A teleszkópos sövénynyíró üzemeltetése közben mindig erősen tartsa mindkét fogantyút. Szorosan fonja ujjait a fogantyú köré, azokat a hüvelykujjával és a mutatóujjával tartsa. Ahhoz, hogy a teleszkópos sövénynyírót mindig teljes irányítás alatt tartsa, üzemeltetés közben ne váltson fogást. A vezérlőfogantyút tartsa mindig megfelelő állapotban, nedvességtől, szennyeződésektől, olajtól és zsírtól mentesen.

## Mindig biztosan és egyensúlyban álljon a talajon

- Mindig állítsa le a motort, és azonnal függessze fel az eszköz használatát, ha hiba történik, vagy ha az eszköz szokatlan zajt bocsát ki.
- A kipufogógáz mérgező. Soha ne működtesse az eszközt zárt, szellőzés nélküli helyiségben vagy alagútban (fulladás és gázmérgezés veszélye). Ne feledje, hogy a szén-monoxid szagtalan gáz. Mindig győződjön meg arról, hogy az a terület, ahol a motort üzemelteti, megfelelően szellőztetett.
- Állítsa le a motort, ha leteszi, vagy ha a teleszkópos sövénynyírót felügyelet nélkül hagyja. Helyezze a gépet biztonságos helyre, és győződjön meg arról, hogy az nincs éghető anyagok közelében.
- Ne tegye a forró teleszkópos sövénynyírót száraz fűre vagy éghető anyagra.
- A tűzveszély csökkentése érdekében tisztítsa meg a motort és a hangtompítót a ráakodott szennyeződésektől, levelektől vagy kiszivárgott kenőanyagtól.
- Soha ne működtesse a gépet, ha a hangtompító nem működik megfelelően.
- Szállítás előtt kapcsolja ki a motort.
- Mindig állítsa le a motort, ha:
  - Pihenteti az eszközt
  - Szállítja az eszközt
  - Tisztítja az eszközt
  - Üzemanyaggal tölti fel az eszközt
  - Karbantartást végez az eszközön
  - Valamilyen hibát hárít el az gépen
- A gépet vízszintes helyzetben, a nyelénél fogva szállítsa. A hangtompítót tartsa távol a testétől.
- Ha a teleszkópos sövénynyírót járműben szállítja, mindig biztonságosan rögzítse, elkerülendő az eszközben maradt üzemanyag szivárgását.
- Mindig ürítse ki az üzemanyagtartályt, mielőtt a teleszkópos sövénynyírót járműben szállítja.
- Amikor a teleszkópos sövénynyírót kirakodja a járműből, különösen ügyeljen arra, hogy az eszközt ne ejtse le, mivel az üzemanyagtartály helyrehozhatatlanul károsodhat.
- Kizárólag vészhelyzetben ejtse le, vagy dobja el a teleszkópos sövénynyírót, mivel ez súlyosan károsíthatja az eszközt.
- A teleszkópos sövénynyíró szállításakor, mindig ügyeljen arra, hogy az eszköz ne érjen le a földre. Soha ne húzza a földön a motort, mert ez károsíthatja az üzemanyagtartályt, valamint tűzveszélyes.
- Mindig használja a vágóél védőféléttét, és rögzítse a teleszkópos sövénynyíró vágószerkezetét szállítás és tárolás közben.
- Ha az eszközt erős ütés éri, illetve leesik, a munka folytatása előtt ellenőrizze állapotát. Ellenőrizze, hogy az üzemanyag-ellátó rendszer szivárog-e, továbbá ellenőrizze, hogy a vezérlőelemek és biztonsági eszközök helyesen működnek-e. Ha bármilyen károsodást észlel, vagy felmerül annak gyanúja, hogy az eszköz meghibásodott, forduljon a hivatalos szervizközpontunkhoz, és kérjen bevizsgálást és/vagy javítást.

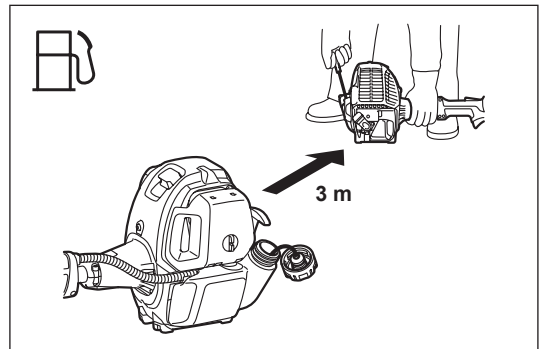
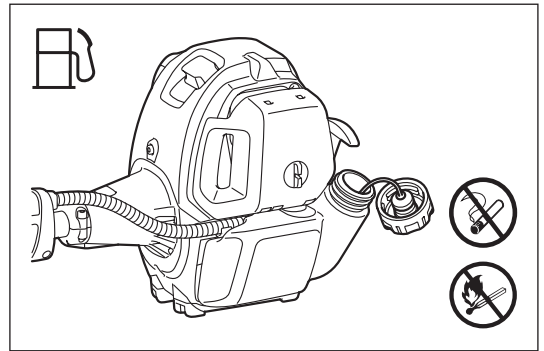


## Üzemanyag-betöltés

- Az üzemanyag betöltés előtt állítsa le a motort.
- Soha ne tankoljon nyílt láng közelében.
- Üzemanyag-betöltés közben ne dohányozzon.
- Az üzemanyag-betöltés előtt mindig hagyjon elegendő időt arra, hogy a motor lehűljön.
- Ügyeljen arra, hogy bőre ne érintkezzen kőolajtermékekkel. Ne lélegezze be a benzingőzt üzemanyag-betöltés közben, valamint mindig viseljen védőkesztyűt. Cserélje és tisztítsa meg a rendszeres időközönként kopófelületet.
- Különösen figyeljen arra, hogy ne lötytenjen ki üzemanyag vagy olaj a földre, elkerülendő a talaj szennyezését (környezetvédelem). Ha benzin vagy olaj fröccsent a teleszkópos sövénynyíróra, azonnal törölje le a felületet egy ruhával. Az öngyulladás megelőzése érdekében, hagyja megszáradni a nedves rongyokat, mielőtt azokat a megfelelő módon egy zárható tartályba kidobja.
- Győződjön meg arról, hogy ruházata nem érintkezett üzemanyaggal. Ha ruházata érintkezett üzemanyaggal, azonnal cserélje le (tűzveszély).
- Zárja le az üzemanyagtartályt, és szorosan húzza meg a tanksapkát. A motor újraindításához vigye a teleszkópos sövénynyírót az üzemanyag-betöltés helyszínétől legalább 3 méterre.
- Rendszeres időközönként ellenőrizze a tanksapkát, és győződjön meg arról, hogy az megfelelően zár.
- A gépet soha ne töltsse fel üzemanyaggal zárt helyiségben. Az üzemanyagra talajszinten gyúlik össze (robbanásveszély).
- Kizárólag arra alkalmas tartályban tárolja az üzemanyagot, és mindig ügyeljen arra, hogy az üzemanyaghoz gyermekek nem férnek hozzá.

## Használat

- Vészhelyzetben azonnal állítsa le a motort.
- Ha szokatlan jelenséget (pl.: zaj, vibráció) tapasztal használat közben, kapcsolja ki a motort. Ne használja a teleszkópos sövénynyírót a hiba okának felismeréséig és elhárításáig.
- A kés a gázadagoló ravasz felengedése vagy a motor kikapcsolása után egy rövid ideig még tovább forog. Ne nyúljon hozzá azonnal a késhez.
- Soha ne próbálja meg egy kézzel tartani a gépet. Ha elveszíti a gép felett az uralmat, az súlyos sérüléshez vagy halálos balesethez vezethet. A sérülés kockázatának csökkentése érdekében ne közelítsen kezével és lábával a késekhez.
- Tartsa a jobb kezét vállmagasságban működés közben. Ellenkező esetben elveszítheti az uralmat a gép fölött, és sérülést okozhat.
- Használat közben óvja a késeket a kemény tárgyaktól, például kövektől és fémeektől. Legyen különösen figyelmes, amikor drótkerítéshez közeli sövényt nyír. Ha a talaj közelében dolgozik, ügyeljen arra, hogy a kések közé ne kerüljön homok vagy kavics.
- Ha a kések kövekhez vagy más szilárd anyaghoz érnek, azonnal állítsa le a motort, és a gyertyapipa eltávolítása után nézze meg, hogy nem sérültek-e meg a kések. A sérült késeket cserélje ki.
- Ne érintse és ne közelítse meg a működésben lévő késeket. A kések könnyedén megvághatják kezét. A kések vizsgálata előtt állítsa le a motort, és vegye le a gyertyapipát.
- Ha vastag ágak szorulnak a kések közé, azonnal állítsa le a motort, tegye le a teleszkópos sövénynyírót, majd a gyertyapipa lehúzását követően távolítsa el a beszorult ágat. A gép ismételt használata előtt ellenőrizze a kések épségét.
- Ha a motort megszorult késsel próbálja felpörgetni, megnő a terhelés, ami károsítja a motort és/vagy a tengelykapcsolót.
- Használat közben rendszeresen ellenőrizze, hogy a vágókéseken nincsenek-e repedések, az élek nem tompultak-e el. A vizsgálat előtt kapcsolja ki a motort, és várja meg, amíg a kések teljesen megállnak. A sérült vagy tompa késeket azonnal cserélje ki, még akkor is, ha a sérülés csak felületi.
- Ne érintse meg a hajtóműházat. Üzem közben a hajtóműház felforrósodhat.
- Tartson pihenőt, nehogy elfáradjon, és emiatt elveszítse uralmát a gép felett. Célszerű óránként 10-20 perc pihenőt tartani.
- Vágás előtt húzza meg a teljesen a gázkart, a maximális sebesség elérése érdekében.
- A művelet során, mindig két kézzel tartsa a teleszkópos sövénynyírót.
- A teleszkópos sövénynyírót csak megfelelő fény- és látási viszonyok mellett használja. Figyeljen a csúszós vagy nedves területekre (jég és hó) a hideg évszakokban (csúszásveszély), és mindig szilárd tartásban álljon.
- Soha ne használja a teleszkópos sövénynyírót instabil felületen, illetve meredek lejtőn.
- Soha ne használja a teleszkópos sövénynyírót létrán állva.
- Soha ne mászzon a fára, és használja a teleszkópos sövénynyírót onnan.
- Elkerülendő egyensúly elvesztését, soha ne haladjon hátrafelé, ha a teleszkópos sövénynyíróval dolgozik, ellenkező esetben felbukhat, vagy áteshet valamilyen akadályon.
- Mindig állítsa le a motort, mielőtt elkezdi a gép tisztítását vagy javítását. Továbbá csak a motor leállítását követően cseréljen alkatrészt.
- Ne működtesse a teleszkópos sövénynyírót, ha a vágóegység sérült vagy kopott.



## Vibráció

- A keringési rendellenességben szenvedő emberek idegrendszere vagy véredényei a túlzott mértékű rezgés hatására megsérülhetnek. A rezgés a következő tünetek megjelenését okozhatja az ujjakban, a kézben vagy a csuklóban: Álmosság (zsibbadtság), bizsergő érzés, fájdalom, szűrő fájdalomérzet, a bőr vagy annak színének elváltozása. Ha ezen tünetek bármelyikét észleli önmagán, forduljon orvoshoz!
- A „fehér ujj betegség” kockázatának csökkentése érdekében, tartsa melegen kezeit a működtetés alatt, és tartsa karban az eszközt és tartozékait.

## Karbantartási útmutató

- Az eszközt hivatalos szervizközpontban szervizeltesse, és kizárólag eredeti cserealkatrészeket használjon. A helytelen javítás vagy nem megfelelő karbantartás lecsökkentheti az eszköz élettartamát és megnöveli a balesetek kockázatát.
- A teleszkópos sövénynyíró használata közben mindig törekedjen arra, hogy a légszennyezés és zajterhelés a lehető legkisebb legyen. Fordítson különös figyelmet a karburátor megfelelő beállítására.
- A teleszkópos sövénynyíró rendszeres időközönként tisztítsa meg, valamint ellenőrizze, hogy minden csavar és anya biztosan meg legyen húzva.
- Nyílt láng, szikra stb. közelében soha ne végezzen karbantartást, és ne is tárolja a teleszkópos sövénynyíró ilyen környezetben.
- Elhajlott vagy törött kést soha ne próbáljon meg kiegyenesíteni vagy meghegeszteni. A kés darabjai leválhatnak, és komoly sérülést okozhatnak. A kések cseréjéért forduljon a kijelölt MAKITA szervizhez.
- További károsodás és/vagy személyi sérülés megelőzése érdekében ne kísérelje meg megjavítani a teleszkópos sövénynyíró, ha nincs ilyen jellegű szaktudása. A javításhoz lépjen kapcsolatba a forgalmazóval vagy egy hivatalos szervizzel.

Ne próbálja meg módosítani, és ne alakítsa át a teleszkópos sövénynyíró, mivel ezzel veszélyezteti a biztonságos működést.

A felhasználó kizárólag az ebben a használati kézikönyvben felsorolt karbantartási munkákat végezheti el önállóan. Az ettől eltérő műveleteket szakképzett szerelőnek kell végeznie.

Forduljon a hivatalos MAKITA szervizhez a teleszkópos sövénynyíró rendszeres időközönként történő átvizsgálása és karbantartása érdekében.

Csak hivatalos MAKITA márkaszervizből vagy gyári szervizközpontból származó eredeti pótalkatrészt vagy tartozékot használjon.

A nem jóváhagyott tartozékok és szerszámok használata növeli a balesetveszélyt, és sérülést okozhat. A nem jóváhagyott tartozékok és alkatrészek használatából eredő balesetekért vagy károkért a MAKITA semmilyen felelősséget nem vállal.

## Tárolás

- A gép tárolása előtt teljesen tisztítsa meg a gépet és végezzen karbantartást. Helyezze fel a késvédőt.
- Tárolás előtt ürítse ki az üzemanyagtartályt, és a teleszkópos sövénynyíró mindig zárt, jól szellőző helyiségben tárolja. Győződjön meg arról, hogy a teleszkópos sövénynyíró a gyermekek nem érik el, ahhoz nem férnek hozzá.
- A gépet ne tárolja falnak vagy bármi másnak döntve. Ellenkező esetben a teleszkópos sövénynyíró váratlanul eldőlhethet, és sérülést okozhat.

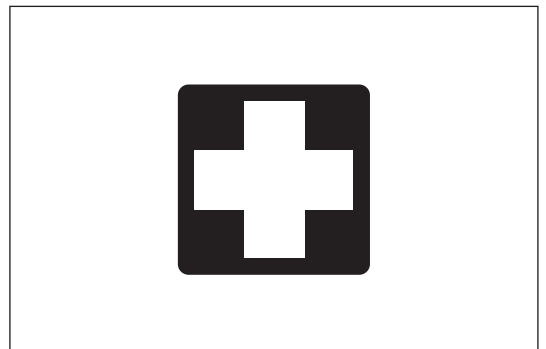
## Elsősegély

Óvintézkedésként mindig ügyeljen arra, hogy kéznél legyen egy teljesen feltöltött elsősegélykészlet.

Az elsősegélydobozból elhasznált elemeket a lehető leghamarabb cserélje ki.

**Ha vészhelyzetben segítséget kér, az alábbi információkat adja meg:**

- A baleset helyszíne
- Mi történt
- A sérültek száma
- A sérülés mértéke
- Az Ön neve



**Csak európai országokra vonatkozóan**

**EK Megfeleléségi nyilatkozat**

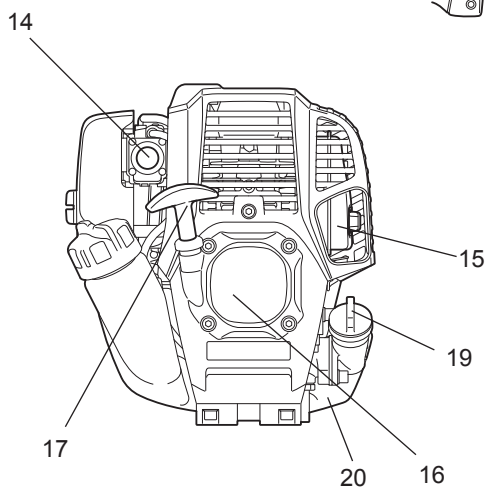
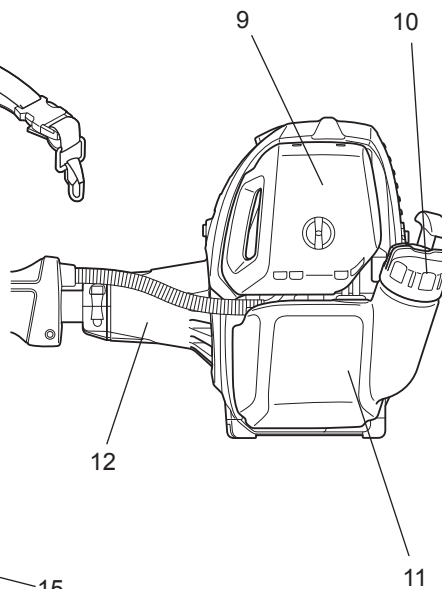
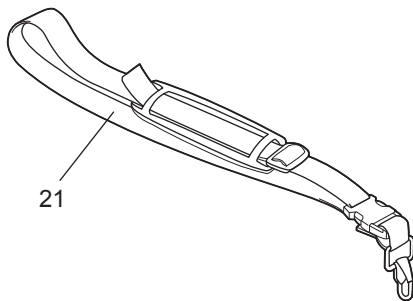
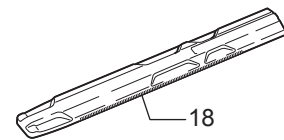
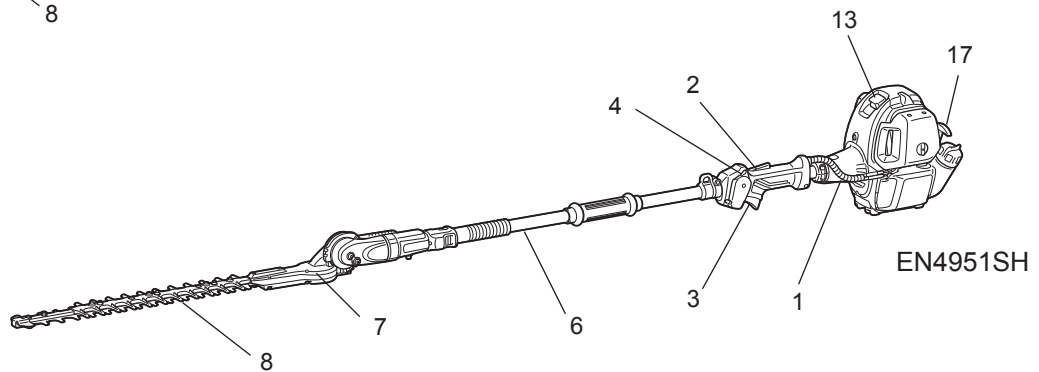
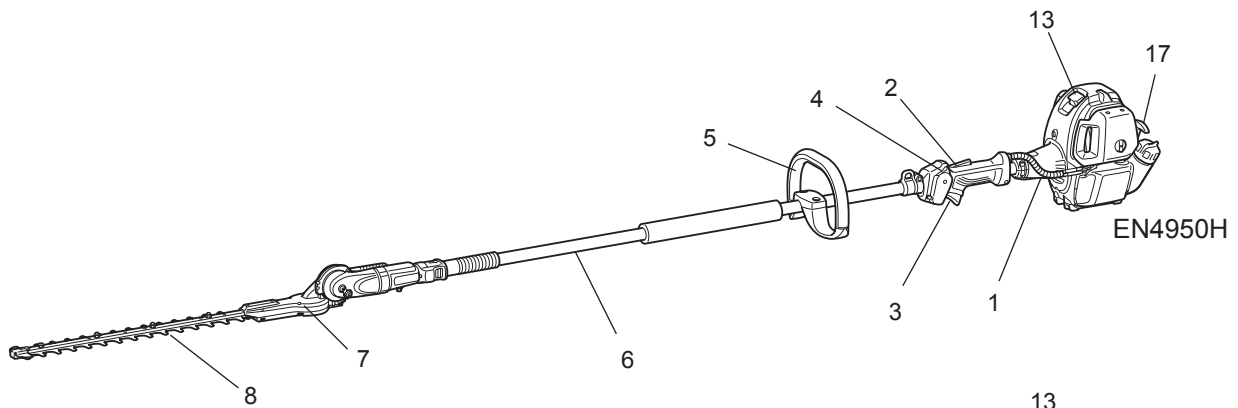
Az EK Megfeleléségi nyilatkozatot az A függelék tartalmazza a jelen használati útmutatóban.

## MŰSZAKI ADATOK

Típus	EN4950H		EN4951SH	
	Kengyel markolat		Egyenes fogantyú	
Méret (H x SZ x M)	2550 mm x 242 mm x 241 mm		2050 mm x 221 mm x 241 mm	
Nettó tömeg	6,9 kg		6,6 kg	
Úrtartalom (üzemanyagtartály)	0,6 l			
Vágási hossz	490 mm			
Legnagyobb átmérőjű ág	7 mm			
Vágási löketség	4200 min <sup>-1</sup>			
Motor típusa	Légűtéses, négyütemű, egyhengeres			
Motor lökettérfogata	25,4 cm <sup>3</sup>			
Maximális motorteljesítmény	0,77 kW 7000 perc <sup>-1</sup>			
Motor fordulatszáma az orsó legnagyobb ajánlott fordulatszámanál	10000 perc <sup>-1</sup>			
Üzemanyag-fogyasztás	0,33 kg/h			
Jellemző üzemanyag-fogyasztás	408 g/kWh			
Üresjárat fordulatszáma	3000 perc <sup>-1</sup>			
Tengelykapcsoló összekapcsolási fordulatszáma	4400 perc <sup>-1</sup>			
Karburátor (membrán karburátor)	Membrános típusú			
Gyújtógyertya típusa	NGK CMR4A			
Elektródahézag	0,7–0,8 mm			
	Vibráció az ISO 10517 szerint		Vibráció az ISO 10517 szerint	
Jobb markolat (hátsó fogantyú)	a <sub>hveq</sub>	8,5 m/s <sup>2</sup>	7,0 m/s <sup>2</sup>	
	Tűrés (K)	1,3 m/s <sup>2</sup>	3,1 m/s <sup>2</sup>	
Bal markolat (elülső fogantyú)	a <sub>hveq</sub>	6,4 m/s <sup>2</sup>	5,1 m/s <sup>2</sup>	
	Tűrés (K)	2,6 m/s <sup>2</sup>	1,5 m/s <sup>2</sup>	
	Zajkibocsátás az ISO 10517 szerint		Zajkibocsátás az ISO 10517 szerint	
Hangnyomásszint	90 dB (A)		90,2 dB (A)	
Tűrés (K)	1,8 dB (A)		1,0 dB (A)	
Hangteljesítményszint	103,0 dB (A)		104,1 dB (A)	
Tűrés (K)	1,0 dB (A)		0,4 dB (A)	
Üzemanyag	Gépjármű-üzemanyag (benzin)			
Motorolaj	Az API által SF vagy magasabb besorolású, illetve SAE 10W-30 olaj (négyütemű gépkocsimotorokhoz)			
Áttétel	1/4,78			



## ALKATRÉSZEK MEGNEVEZÉSE



	Alkatrészek megnevezése
1	Gázbovden
2	Reteselő kar
3	Gázkar
4	Leállítási kapcsoló
5	Fogantyú
6	Tengely
7	Fogaskerekes hajtómű
8	Vágókés
9	Légszűrő
10	Üzemanyagtartály-sapka
11	Üzemanyagtartály
12	Tengelykapcsoló ház
13	Gyertyapipa
14	Feltöltő pumpa
15	Hangtompító
16	Berántószerkezet
17	Indítófogantyú
18	Késvédő
19	Olajbetöltő sapka
20	Olajtartály
21	Vállsík (rendelhető kiegészítő)

## ÖSSZESZERELÉS

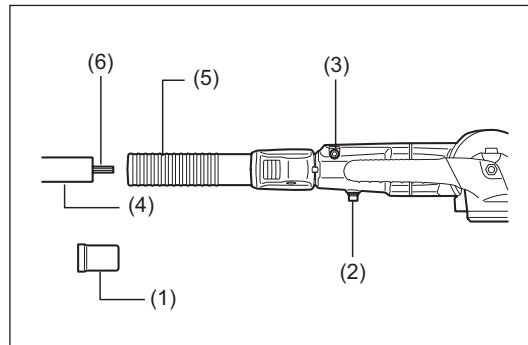
### ⚠ FIGYELEM:

- A teleszkópos sövénynyíró összeszerelése előtt kapcsolja ki a motort, és vegye le a gyertyapipát.
- Feltétlenül viseljen védőkesztyűt!
- A késvédő segítségével rögzítse a vágókéseket a sövénynyíróra a teleszkóp csatlakoztatásakor.

1. Távolítsa el a sapkát (1) a tengelyről.
2. Lazítsa meg az M5 x 16 csavart (2) és az M5 x 25 csavart (3).
3. Helyezze a tengelyt (4) a burkolatba (5).

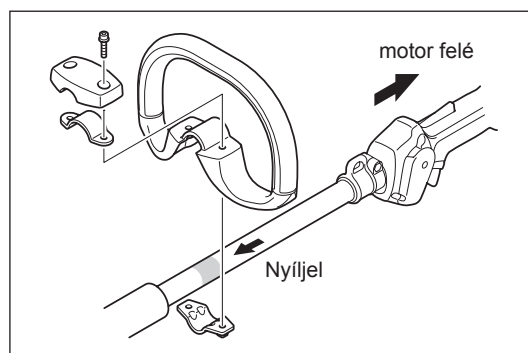
MEGJEGYZÉS: Győződjön meg róla, hogy a tengely teljesen a burkolatban van-e (kb. 237 mm/9-3/8").  
Ha a tengely behelyezése problémába ütközik, kézzel forgassa el a hajtótengelyt (6) egy kicsit, és próbálja újra.

4. Győződjön meg róla, hogy a tengely megfelelően van-e behelyezve, majd húzza meg az M5 x 16 csavart és az M5 x 25 csavart.



### A FOGANTYÚ FELSZERELÉSE (EN4950H típus esetén)

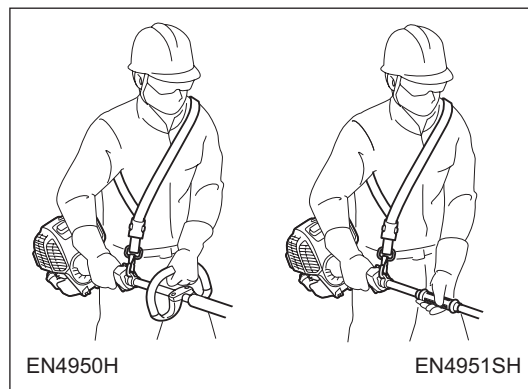
- Szerelje a kengyel markolatot a tengelyre az ábrán látható módon.
- A kengyel markolatot a nyílak elé helyezze, hogy a fogantyúk között megfelelő legyen a távolság.



## VÁLLSZÍJ (rendelhető kiegészítő)

### Hogyan kell viselni a vállszíjat

- A vállszíjat a bal vállán átvette viselje.
- Tartsa a teleszkópos sövénynyírót a test jobb oldalán.
- Szerelje fel a szíjat a teleszkópos sövénynyíró akasztójára, és állítsa be a heveder hosszát úgy, hogy a kényelmes munkavégzést ne akadályozza.

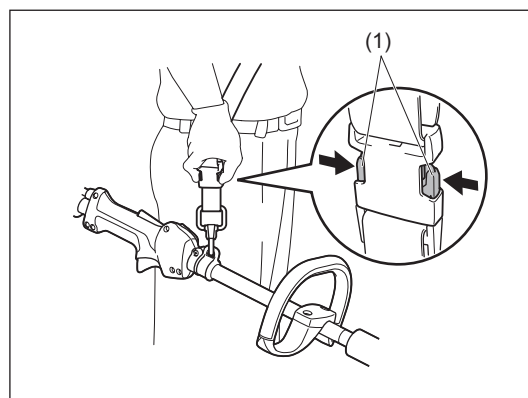


### Lecsatolás

- Vészhelyzetben nyomja meg két oldalt a bemélyedéseket (1), így leválaszthatja magáról a gépet.

Járjon el ilyenkor különös körültekintéssel, hogy ne veszítse el az uralmát a gép felett. Ne hagyja, hogy a gép maga felé vagy a munkakörnyezetben tartózkodó személyek felé dőljön.

FIGYELEM: A gép teljes irányításának elvesztése súlyos testi sérülést vagy HALÁLÓS BALESETET okozhat.



## A HASZNÁLAT MEGKEZDÉSE ELŐTT

### A motorolaj ellenőrzése és feltöltése

- A következő műveletet lehűlt motornál kell végezni.
- Állítsa a motort vízszintes helyzetbe, és vegye le az olajbetöltő sapkát (1. ábra), majd ellenőrizze, hogy az olaj szintje az olajcső felső és alsó határjelzései között helyezkedik-e el (2. ábra).
- Ha az olaj mennyisége nem elegendő (az olajsínt közel van az alsó határhoz), töltsön utána olajat a felső határig (3. ábra).
- A külső jelzések körüli terület átlátszó, így a gépben levő olaj mennyisége a olajbetöltő sapka eltávolítása nélkül ellenőrizhető. Ha azonban az olajcső elszennyeződik, átlátszósága csökken, és az olajsíntet a csőben levő lépcsős részek segítségével kell ellenőrizni.
- Az olaj tájékoztató utántöltési periódusa körülbelül 10 óra (minden 10. újratöltésnél).  
Ha az olaj színe megváltozik vagy kosz keveredik bele, cserélje le. (Az olajcsere periódusról és a csere módjáról lásd a 140. oldalt)

**Ajánlott olaj:** API besorolású SAE 10W-30 olaj, SF vagy magasabb osztályú (négyütemű gépjárműmotorokhoz)

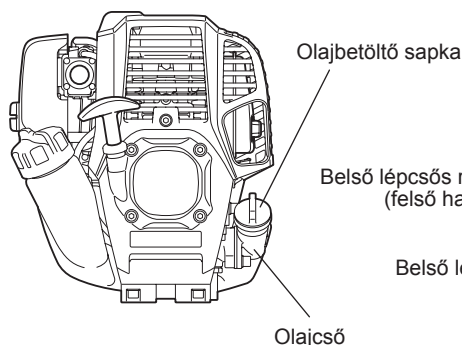
**Olaj mennyisége:** Kb. 0,08 l

**MEGJEGYZÉS:** Ha motort nem tartják vízszintesen, az olaj a motor köré folyhat, ami túltöltést eredményezhet.

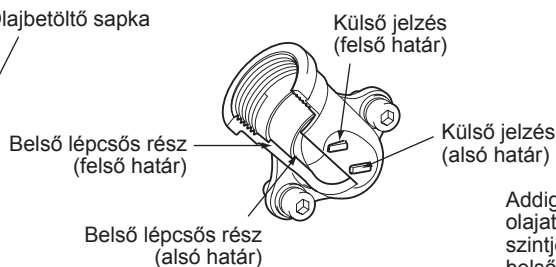
Ha az olajsínt a felső határ fölött van, az olaj szennyeződhet vagy fehér füst kíséretében meggyulladhat.

### Az olajcsere 1. pontja: „Olajbetöltő sapka”

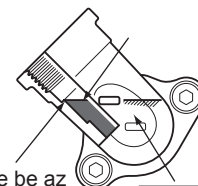
- Távolítsa el a port vagy szennyeződést az olajbeöntő nyílás környezetéből, és vegye le az olajbetöltő sapkát.
- A levett sapkát tartsa homok- és pormentesen. Ellenkező esetben a sapkára tapadó homok vagy szennyeződés akadozó olajkeringést vagy motor alkatrészeinek kopását okozhatja, ami problémákat eredményezhet.



1. ábra



2. ábra Olajcső

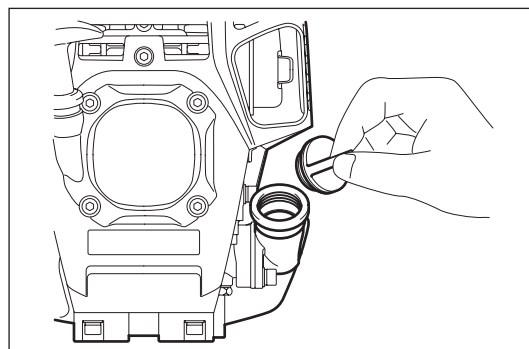


Addig töltsse be az olajat, míg annak szintje el nem éri a belső lépcsős részt (felső határ).

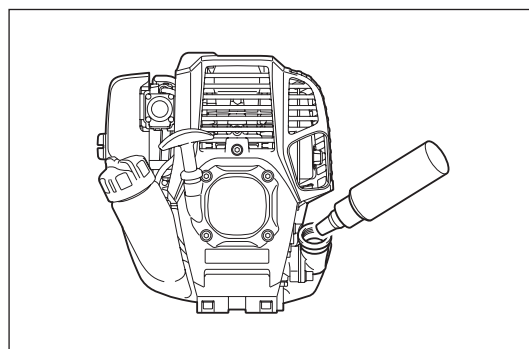
A gép külsején feltüntetett felső és alsó határok közötti terület átlátszó, így az olajsínt a jelzések között szemrevételezéssel ellenőrizhető.

3. ábra

(1) Tartsa vízszintesen a motort, és vegye le az olajbetöltő sapkát.



(2) Töltsse fel olajjal a felső határig. (lásd a 3. ábrát)  
A töltéshez használjon olajtároló palackot.



(3) Erősen húzza meg az olajbetöltő sapkát. Az elégtelen meghúzás olajszivárgást okozhat.

### Megjegyzés

- Ne cseréljen olajat a motor megdöntött helyzetében.
- Ha a motor megdöntött helyzetében tölt be olajat, az olaj elszennyeződhet, és/vagy fehér füstölés léphet fel.

### Az olajcsere 2. pontja: „Ha az olaj kifröccsen”

- Ha az olaj az üzemanyagtartály és a motor főegység közé fröccsen, akkor az olajat beszívja a légszűrőház, és elszennyezi a motort. A használat megkezdése előtt törölje le a kifröccsent olajat.

## ÜZEMANYAG-BETÖLTÉS

### Az üzemanyag kezelése

Az üzemanyag kezelése különös odafigyelést igényel. Az üzemanyag oldószerekhez hasonló anyagokat tartalmazhat. A tankolást jól szellőző helyiségben vagy a szabadban kell elvégezni. Soha ne lélegezze be az üzemanyag gőzét, és tartsa távol magától az üzemanyagot. Ha hosszabb ideig vagy többször is érintkezik az üzemanyaggal, a bőr kiszárad, ami bőrbetegséget vagy allergiát okozhat. Az üzemanyag szembe kerülése esetén a szemet friss vízzel tisztítsa ki. Ha a szem irritációja továbbra is fennáll, forduljon orvoshoz.

### Az üzemanyag tárolási ideje

Az üzemanyagot 4 héten belül el kell használni még akkor is, ha jól szellőző, árnyékos helyiségben, speciális tárolóedényben tárolják. Ellenkező esetben az üzemanyag egy nap alatt megromolhat.

### A GÉP TÁROLÁSA ÉS AZ ÜZEMANYAGTARTÁLY FELTÖLTÉSE

- A gépet és az üzemanyagtartályt hűvös, közvetlen napfénytől védett helyen tárolja.
- Az üzemanyagot soha ne tartsa gépkocsiban.

### Üzemanyag

A motor négyütemű motor. Ügyeljen arra, hogy 87-es vagy nagyobb oktánszámú ólommentes benzint használjon ((R+M)/2). Maximum 10% alkoholt tartalmazhat (E-10).

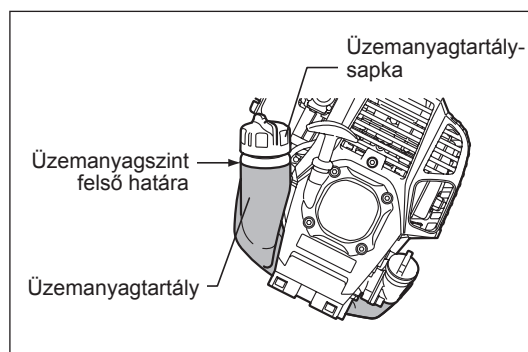
### Az üzemanyagra vonatkozó előírások

- Ne használjon olyan benzinkeveréket ami motorolajat tartalmaz. Ellenkező esetben túlzott koromfelhalmozódás vagy mechanikai problémák léphetnek fel.
- Romlott motorolaj használata problémákat okozhat az indításkor.

### Üzemanyag-betöltés

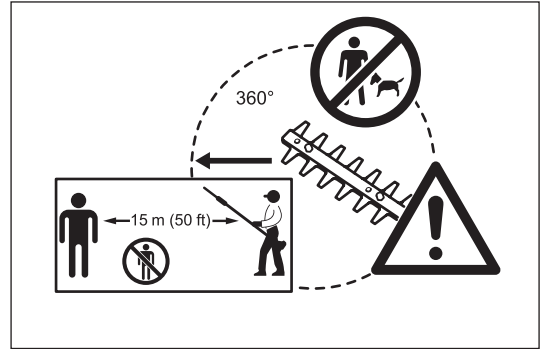
#### FIGYELEM: ÉGHETŐ ANYAGOK HASZNÁLATA SZIGORÚAN TILOS

- Lazítsa meg egy kicsit az üzemanyagtartály sapkáját a nyomás kiengedéséhez.
  - Vegye le az üzemanyagtartály sapkáját, és töltse be az üzemanyagot. A levegő kiszorításához döntse meg az üzemanyagtartályt úgy, hogy a betöltőnyílás felfelé nézzen. (NE töltse teljesen tele az üzemanyagtartályt.)
  - Az idegen anyagok üzemanyagba való bejutását elkerülendő törölje le alaposan az üzemanyagtartály sapka környékét.
  - Az üzemanyag betöltése után erősen csavarja be az üzemanyagtartály sapkáját.
- Ha bármilyen repedés vagy sérülés látható az üzemanyagtartály sapkáján, cserélje ki.
  - Idővel a tanksapka elhasználódik. Két-három évente cserélje ki.



## ÓVINTÉZKEDÉSEK A MOTOR BEINDÍTÁSA ELŐTT

- A munkaterület körül mindig legalább 15 méter átmérőjű biztonsági zónát tartson. Győződjön meg arról, hogy a zónában senki (különösen gyermekek) sem tartózkodik, ideértve az állatokat is.
- A teleszkópos sövénynyíró használata előtt, győződjön meg arról, hogy a gép üzemi állapota biztonságos. Ügyeljen arra, hogy a vágókések ne károsodjanak, és ellenőrizze hogy a gázkar könnyen jár-e. Ügyeljen arra, hogy a motort alapjáratban járva a vágókések ne mozogjanak. Ha a gép nem működik rendesen, forduljon a forgalmazóhoz, és állítsa be a gépet. Ellenőrizze, hogy a fogantyúk tiszták és szárazak, és ellenőrizze, hogy az I/O kapcsoló megfelelően működik-e. A kézikönyvben megadott utasításoknak megfelelően indítsa be a motort. Ne használjon más módszert a teleszkópos sövénynyíró beindításához.
- Kizárólag azután indítsa be a teleszkópos sövénynyíró motorját, hogy elolvasta és teljes mértékben megértette az utasításokat. Csak teljes egészében összeszerelt teleszkópos sövénynyírót indítson be. Ellenkező esetben súlyosan sérülést okozhat.
- A motor beindítása előtt, mindig győződjön meg arról, hogy a vágókések útját nem gátolják-e kövek, ágak, vagy bármely egyéb szilárd tárgyak.
- Ellenőrizze, hogy nincs-e munkaterületen olyan huzal, kábel, üveg vagy más idegen tárgy, amelybe a vágókések beakadhatnak.
- Áramütés: A munkaterület közelében futó minden elektromos vezetékkel legyen tisztában. A munka megkezdése előtt ellenőrizze a teljes munkaterületen az elektromos vezetékeket és elektromos kerítéseket.



## A HASZNÁLATRA VONATKOZÓ ELŐÍRÁSOK ÉS A LEÁLLÍTÁS MÓDJA

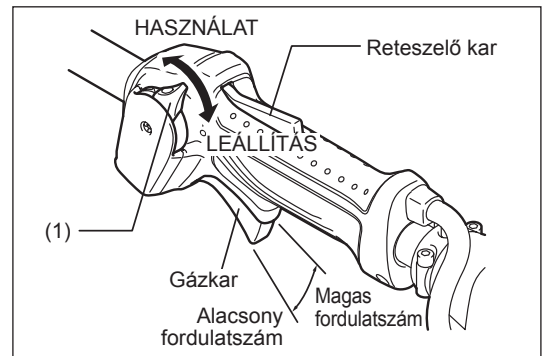
Tartsa be a vonatkozó balesetmegelőzési előírásokat!

### INDÍTÁS

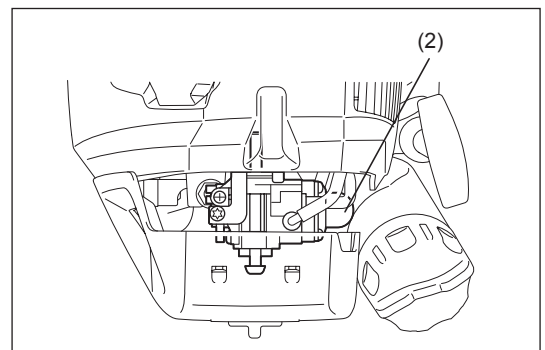
Távolodjon el legalább 3 méterre az üzemanyag-betöltés helyétől. A teleszkópos sövénynyírót tegye egy tiszta felületre a talajon, ügyelve arra, hogy a vágókések ne érjenek a földhöz vagy más tárgyhoz.

#### A: Hidegindítás

- 1) A gépet helyezze sík felületre.
- 2) Az I-O kapcsolót (1) állítsa HASZNÁLAT állásba.



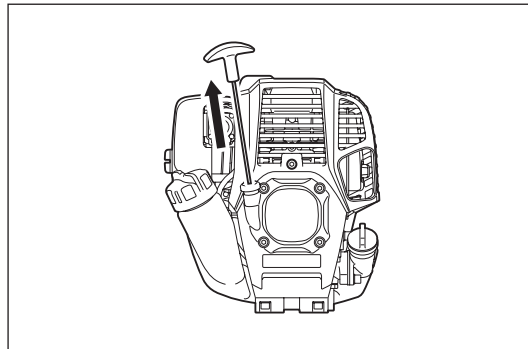
- 3) Feltöltő pumpa  
Addig nyomkodja a feltöltő pumpát (2), amíg az üzemanyag meg nem jelenik benne. (A feltöltő pumpa általában 7-10 benyomás után vesz fel üzemanyagot.) A feltöltő pumpa túlzott nyomkodása esetén a felesleges benzin visszafolyik az üzemanyagtartályba.



- 4) Berántószerkezet  
Óvatosan húzza az indítófogantyút addig, amíg meg nem feszül (kompressziós pont). Ezután engedje vissza az indítófogantyút, és erősen húzza meg. Soha ne húzza ki teljesen a kötelet. Amikor kihúzza az indítófogantyút, ne engedje ki azonnal a kezéből. Tartsa meg az indítófogantyút mindaddig, amíg vissza nem tér az eredeti helyzetébe.

- 5) Bemelegítés  
A bemelegítést 2–3 percig folytassa.

MEGJEGYZÉS: Ha a motor túlszívta magát, csavarja ki a gyújtógyertyát, és lassan húzza meg az indítófogantyút a felesleges üzemanyag eltávolításához. Emellett szárítsa meg a gyújtógyertya elektróda körüli részét is.



#### B: Meleg motor beindítása

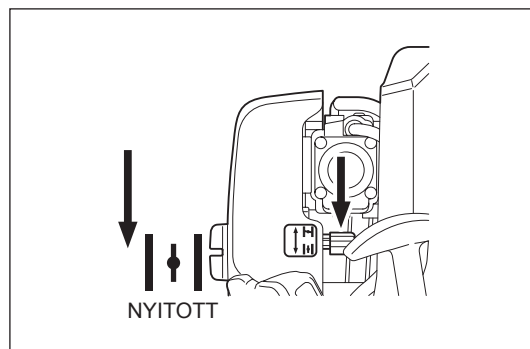
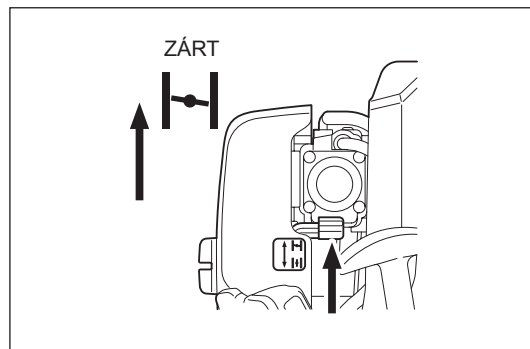
- 1) Többször óvatosan nyomja le a feltöltő pumpát.
- 2) A gázkart tartsa alapjáratú pozícióban.
- 3) Erőteljesen húzza meg a berántószerkezetet.
- 4) Ha nehéz a motor beindítása, akkor adjon kb. 1/3 gázt.  
Figyeljen oda a vágókésekre, mert foroghatnak.

#### Bizonyos időszakokban, például télen, amikor a motor beindítása nehéz, a hidegindító kart az alábbi módon működtesse a motor beindításakor.

- Az indítás 1.–3. lépéseinek elvégzése után állítsa a hidegindító kart ZÁRT helyzetbe.
- Végezze el az indítás 4. lépését, és indítsa be a motort.
- A motor beindulása után állítsa a hidegindító kart NYITOTT helyzetbe.
- Végezze el az indítás 5. lépését, és melegítse be a motort.

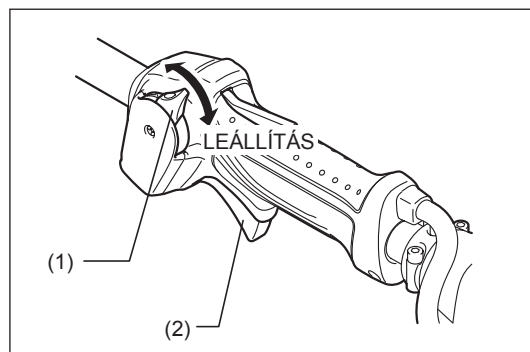
VIGYÁZAT: Amennyiben durranás (robbanás) hallatszik, és a motor leáll, vagy az éppen beindult motor leáll a hidegindító kar működtetése előtt, akkor állítsa vissza a kart NYITOTT helyzetbe, majd húzza meg ismét néhányszor az indítófogantyút a motor beindításához.

VIGYÁZAT: Ha a hidegindító kart ZÁRT helyzetben hagyja, és az indítófogantyút többször meghúzza, akkor a motor túl sok üzemanyagot fog beszívni, és a motor indítása nehezzé válik.



## LEÁLLÍTÁS

- 1) Teljesen engedje el a gázkart (2), és a motor fordulatszámának csökkenésekor állítsa az I-O kapcsolót (1) LEÁLLÍTÁS állásba, ekkor a motor leáll.
- 2) Ne feledje, hogy a vágófej nem minden esetben áll meg azonnal, ezért hagyja teljesen leállni.

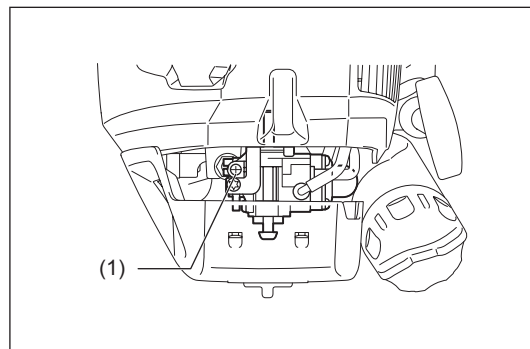


## AZ ALACSONY FORDULATSZÁM (ALAPJÁRAT) BEÁLLÍTÁSA

Amikor be kell állítani az alacsony fordulatszámot (alajáratot), azt a karburátor szabályozócsavarjával (1) végezze el.

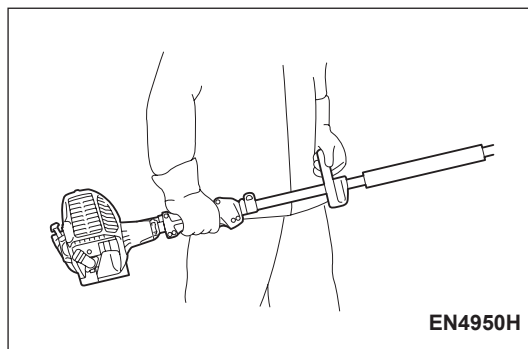
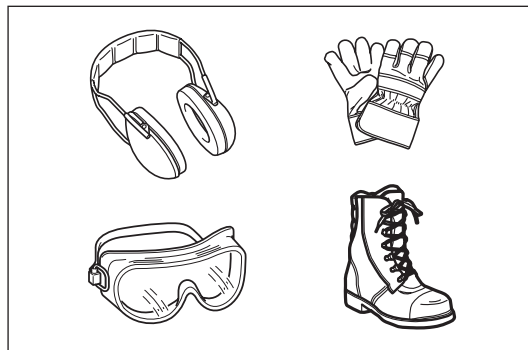
## AZ ALACSONY FORDULATSZÁM ELLENŐRZÉSE

- Az alacsony fordulatszámot 3000 rpm értékre (/perc) állítsa. Ha állítani kell a fordulatszámot, forgassa el az szabályozócsavart (1) egy keresztfejű csavarhúzóval.
- A szabályozócsavart jobbra forgatva a fordulatszám nő. A szabályozócsavart balra forgatva a motor fordulatszáma csökken.
- A karburátor általános beállítása már a gyárban megtörtént. Ha újra kell szabályozni, lépjen kapcsolatba a hivatalos szervizközponttal.

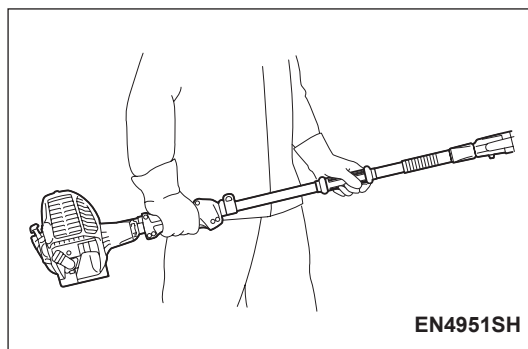


## A TELESZKÓPOS SÖVÉNYNYÍRÓ HASZNÁLATA

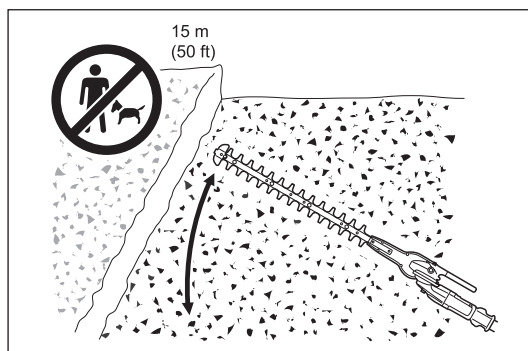
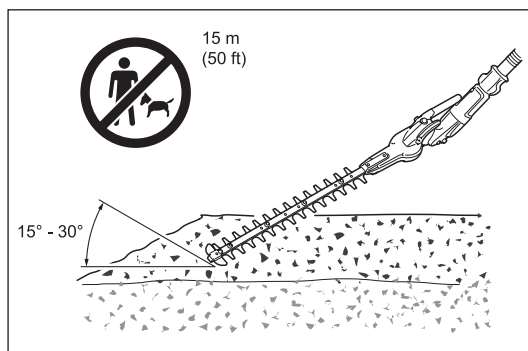
- Működés közben, azaz amikor a motor jár, ne érjen a teleszkópos sövénynyíró vágókéséhez.
- Különösen ügyeljen arra, hogy a teleszkópos sövénynyíróval végzett munka során ne lélegezze be a kipufogógázokat. Soha ne működtesse a teleszkópos sövénynyírórt zárt helyiségben vagy nem megfelelő szellőzésű területen (fulladás és gázmérgezés veszélye). Vegye figyelembe, hogy a szén-monoxid szagtalan gáz, amelyet szaglásunk nem érzékel.
- A teleszkópos sövénynyíróval való munka megkezdése előtt mindig viseljen megfelelő védőruházatot.
- Azonnal állítsa le a motort, ha a hangtompító nem működik megfelelően.
- A teleszkópos sövénynyírórt csak megfelelő fény- és látási viszonyok mellett használja.
- Ne működtesse a teleszkópos sövénynyírórt sötétben vagy ködös időben. Figyeljen a csúszós vagy nedves területekre (jég és hó) a hideg évszakokban (csúszásveszély), és mindig szilárd tartásban álljon.
- Soha ne használja a teleszkópos sövénynyírórt instabil felületen, illetve meredek lejtőn.
- Soha ne használja a teleszkópos sövénynyírórt létrán állva.
- Soha ne másszon a fára, és használja a teleszkópos sövénynyírórt onnan.
- Folyamatosan ellenőrizze, hogy nincs-e munkaterületen olyan huzal, kábel, üveg vagy más idegen tárgy, amelybe a vágókések beakadhatnak.
- A vágás megkezdése előtt ellenőrizze, hogy a vágókések mozgása gyors-e.
- Mindig két kézzel fogja a teleszkópos sövénynyírórt, valamint a munka során is ügyeljen arra, hogy szorosan fogja a gépet.
- Ahhoz, hogy a teleszkópos sövénynyíró felett mindig optimális uralma legyen, mindig fonja ujjait a fogantyúk köré (használja hüvelykujját és mutatóujját), fogása legyen biztos.
- Ne feledje, hogy a vágókések a gázkar elengedése után akár két másodpercig is mozgásban maradhatnak.
- Ne vágjon a teleszkópos sövénynyíróval alacsony motor fordulatszámon.
- A vágókések sebessége nem állítható be pontosan a gázkarral, ha a motor alacsony fordulatszámon forog.
- Sövény felső felületének vágásához, először a vágási irány figyelembevételével 15–30 fokban állítsa be a vágókéseket, valamint tartsa a teleszkópos sövénynyírórt vízszintes pozícióban. Ezután kaszáló mozgással kezdje meg a sövény nyírását, úgy, mintha a sövénynyíró tengelyével körkikkelyeket rajzolna.
- A sövény oldalának nyírásához állítsa a lenyírandó felülettel párhuzamos állásba a késeket, majd félkörben felfelé (lentől felfelé) haladva kezdje meg a vágást.
- Különösen körültekintően dolgozzon, amikor drótkerítéshez közeli sövényt nyír.
- A vágókésekkel ne érjen hozzá kemény tárgyakhoz, mint például drótkerítés, kő vagy talaj. Ellenkező esetben a pengék elrepedhetnek, le- vagy eltörhetnek.
- Ne használja a teleszkópos sövénynyírórt huzamosabb ideig. Általános szabály, hogy minden 50 percnyi működtetés után tartson 10–20 perc szünetet.
- Ha a vágókések kövekhez vagy más szilárd anyaghoz érnek, azonnal állítsa le a motort, és ellenőrizze a kések épségét. A sérült késeket cserélje ki.
- Ha a teleszkópos sövénynyíró működése közben hibát észlel (furcsa zaj, vibráció, stb.), azonnal állítsa le a motort. A probléma azonosításáig és elhárításáig ne használja a gépet.
- A teleszkópos sövénynyíró használata közben mindig törekedjen arra, hogy a légszennyezés és zajterhelés a lehető legkisebb legyen. Fordítson különös figyelmet a helyes karburátor beállításra.
- Ha vastag ágak szorulnak a vágókések közé, azonnal állítsa le a motort, fektesse a gépet a földre és távolítsa el az akadályt. A gép ismételt használata előtt ellenőrizze a kések épségét.



EN4950H



EN4951SH





## A vágási szög beállítása

### Figyelem:

- Ne használja a szerszámot, ha a vágóegység laza és instabil.

A vágás szögét felfelé 45°-ban, lefelé pedig 90°-ban lehet beállítani.

1. Állítsa le a teleszkópos sövénynyíró motorját, és fektesse a gépet a talajra.
2. A vágóegység szögének beállításához, egy kézzel fogja a vágóegység fogantyúját (A), másik kezével pedig az ábrán látható módon rögzítse a zárat (B).
3. Finoman húzza ki a zárat, és állítsa be a vágóegység szögét. A szög beállítása után, óvatosan engedje vissza a zárat.

### Megjegyzés:

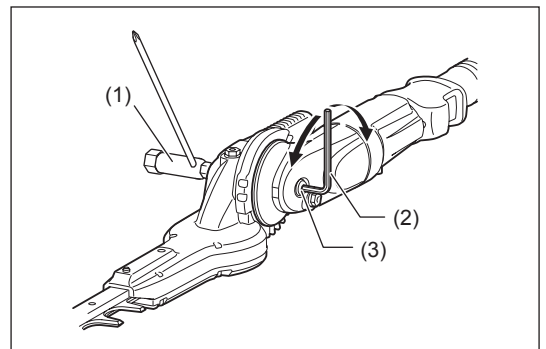
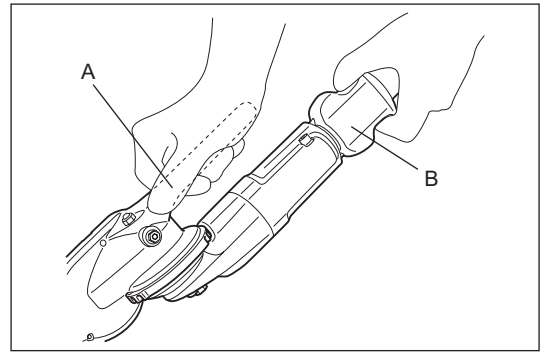
- A vágóegység csak bizonyos szögben rögzíthető az egységen a vájatok mentén. Győződjön meg róla, hogy a vágóegység megfelelően ül-e a helyén. Ha a szög nem megfelelő, a tengelykapcsolót elvághatja, és az eszköz nem működtethető.
- Ne állítsa be a vágóegységet, ha a teleszkópos sövénynyíró függőleges helyzetben van.
- Állítsa az I-O kapcsolót „O” helyzetbe és fektesse a teleszkópos sövénynyírót a földre a vágási szög beállításához.
- Mindig rögzítse a késvédőt a vágási szög beállítása előtt.

Abban az esetben, ha a vágóegység laza, a csavart (beállító tengelyével) kell húzza meg.

1. Állítsa be a dugókulcsot (1) és a hatlapfejű kulcsot (2) a csavarra (3).
2. Állítsa be a vágóegység feszeségét a hatlapfejű kulccsal, majd a dugókulcs elforgatásával húzza meg a csavart.

### Megjegyzés:

- Ne állítsa be túl feszesre a vágóegységet. A vágóegység szöge nem módosítható, ha az túl szoros.



## KARBANTARTÁS

- A karbantartási munkák megkezdése előtt (kések tisztítása, stb.), mindig állítsa le a teleszkópos sövénynyíró motorját, és várja meg, amíg a motor lehül. Kiegészítő biztonsági óvintézkedésként szerelje le a gyertyapipát is.
- Ne próbálja meg kiegyenesíteni vagy hegeszteni az elhajlott vagy törött vágókéseket. Mindig cserélje ki a sérült késeket.
- Rendszeres időközönként állítsa le a motort, ellenőrizze, hogy a vágókéseken nincs-e sérülés (végezzen érintéses-rezonancia vizsgálatot a nehezen észrevehető hajszálrepedések feltárása érdekében). Mindig győződjön meg arról, hogy a kések fogai élesek.
- Rendszeresen tisztítsa a teleszkópos sövénynyíró. A tisztítás során azt is ellenőrizze, hogy minden csavar és anya jól meg van-e húzva.
- A tűzveszély csökkentése érdekében, SOHA ne javítsa tárolja a teleszkópos sövénynyíró nyílt láng közelében.
- A vágókések kezelésekor mindig viseljen megfelelő védőkesztyűt.
- A vágókések cseréjéhez lépjen kapcsolatba kereskedőjével.
- A tisztításhoz soha ne használjon gázolajat, benzint, hígítót, alkoholt vagy hasonló anyagokat. Ezek elszíneződést, alakvesztést vagy repedést okozhatnak.

### A kés élezése

Ha a vágókések eltompulnak és a vágási teljesítmény gyengül, a pengéket szakemberrel éleztesse meg.

### A pengetávolság beállítása

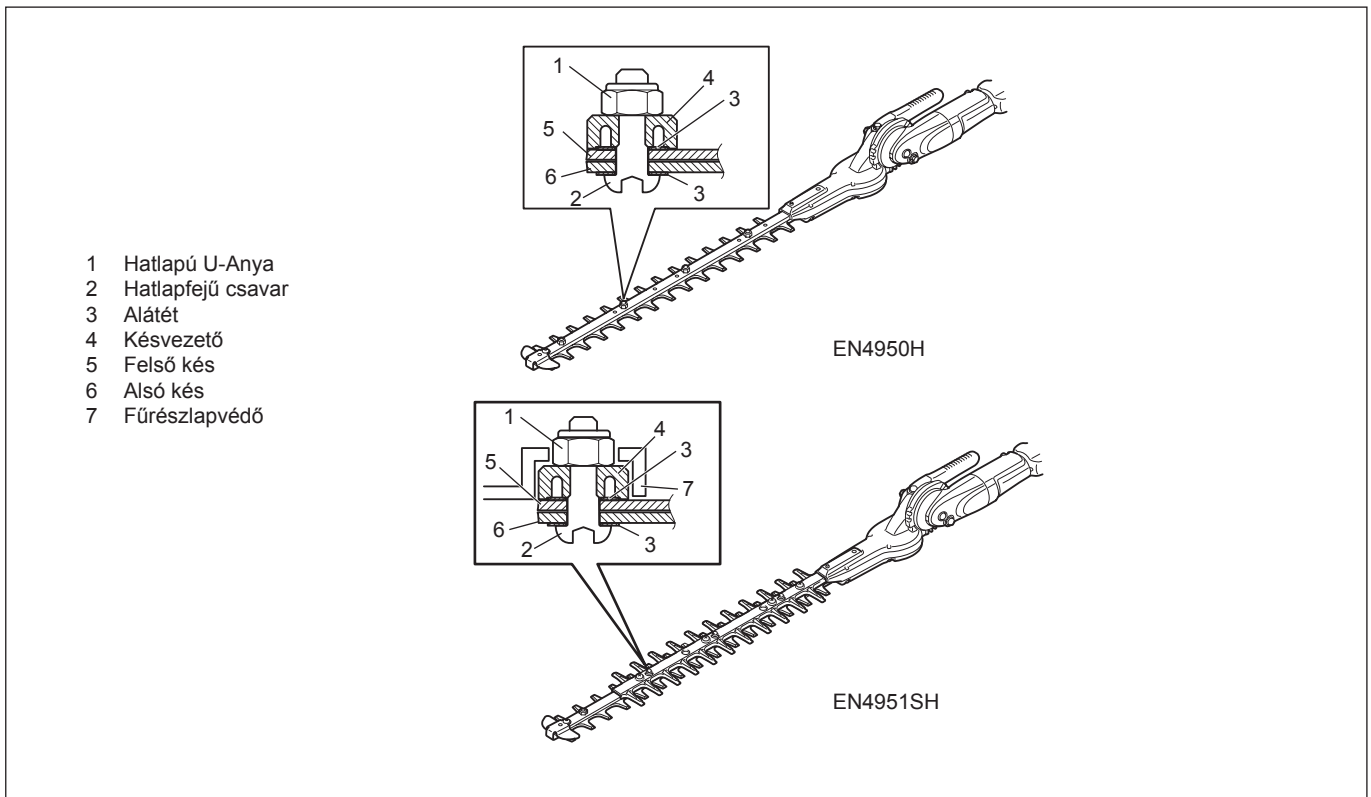
A felső/alsó kések a munkavégzés során fokozatosan elkopnak. A vágás annak ellenére nem megfelelő, hogy a pengék élesek, állítsa be az alábbiakban leírtak szerint a pengék távolságát.

A hatlapfejű csavar meghúzása állítja be a kések távolságát. Az anya tartja a hatlapfejű csavar feszességét. Ha a hatlapfejű csavar túl laza, a vágási teljesítmény elégtelen, ha túl szoros, a gép hamar felmelegszik, és a kések hamarabb elhasználódnak.

1. Lazítsa meg az anyát (1) egy csőkulccsal vagy franciakulccsal.
2. Húzza meg a hatlapfejű csavart (2) gyengén egy hatlapfejű kulccsal ütközésig. Ezután a szükséges távolság beállítása érdekében negyed és fél fordulat között tekerje vissza.
3. Húzza meg az anyát (1), miközben lefogja a hatlapfejű csavart (2).
4. Kenje be vékony olajjal a pengék súrlódó felületét.
5. Indítsa be a motort, és egy percig kapcsolgassa be és ki a gázkart.
6. Állítsa le a motort, és érintse meg a vágófelületet. Ha az nem túl forró, ahhoz, hogy megérintse, a beállítás megfelelő. Amennyiben túlságosan forró, ahhoz, hogy megérintse, hajtja kissé vissza a hatlapfejű csavart (2), és ismétlje meg a 5-6. lépéseket.

MEGJEGYZÉS: Beállítás előtt állítsa le a motort és várja meg, hogy a kések is leálljanak.

A késeken a hatlapfejű csavar (2) körül található egy rés. Ha port talál a rések végében, távolítsa el.

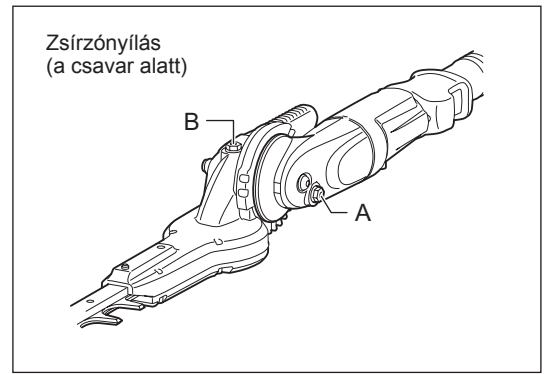


## Zsírzás és kenés

**Fontos: Kenés előtt mindig győződjön meg arról, hogy fogaskerekes hajtómű felülete teljesen hideg.**

- A teleszkópos sövénynyíró fogaskerekes hajtóművét minden 25 üzemóra után meg kell kenni. A zsírzónyílás a csavar alatt található. Kenéshez távolítsa el a csavart. A zsírzónyíláson keresztül a hajtómű A pontján adjon hozzá kb. 3 g (4 cm<sup>3</sup>) kenőanyagot, illetve a B pontján 5 g (7 cm<sup>3</sup>) kenőanyagot. Kenés után vissza csavarja vissza a csavart. A megfelelő mennyiségű zsír betöltése után a gép első használatakor a késeknél kisebb mennyiségű zsír fog távozni.

**VIGYÁZAT:** Tartsa be a kenési intervallumot, illetve mindig megfelelő mennyiségű zsírt használjon.  
A teleszkópos sövénynyíró mechanikus alkatrészei károsodhatnak, ha nem az előírt időközökben végzi a kenést, vagy nem megfelelő mennyiségű zsírt ad hozzá.



## Napi ellenőrzés és karbantartás

Ahhoz, hogy a teleszkópos sövénynyírót hosszú ideig tudja használni, naponta végezze el az alábbi ellenőrzéseket és karbantartást.

- Használat előtt:
  - A gép beindítása előtt mindig ellenőrizze, hogy nincsenek-e laza vagy hiányzó alkatrészek. Fordítson különös figyelmet a gép vágóegységeire, és ellenőrizze, hogy a vágókések rögzítőcsavarjai meg vannak-e húzva.
  - Ellenőrizze a hűtőlevegő átjárók és az üzemeltetés megkezdése előtt a henger hűtőbordáit. Szükség esetén tisztítsa meg ezeket.
- Használat után;
  - Tisztítsa meg a teleszkópos sövénynyíró külsejét, és vizsgálja meg, hogy nem károsodott-e.
  - Tisztítsa meg a légszűrőt. Naponta többször tisztítsa a légszűrőt, ha rendkívül poros környezetben folyt a munkavégzés.
  - Ellenőrizze a vágókések épségét. Győződjön meg arról, hogy a kés biztonságosan van felszerelve.
  - Ha a beállítás után a vágókések továbbra is alapjáraton forognak, forduljon a legközelebbi hivatalos szervizhez.

## A MOTOROLAJ CSERÉJE

Az elhasználdott motorolaj nagymértékben csökkenti a csúszó és forgó alkatrészek élettartamát. Figyeljen oda a csereperiódusra és a mennyiségre.



**VESZÉLY:** Általában a motor leállítása után a motor főegysége és a motorolaj forró marad. Az olajcsere előtt ellenőrizze, hogy a motor főegység és a motorolaj eléggé lehűlt-e. Ellenkező esetben leforrázhatja magát. A motor leállítása után hagyjon elegendő időt, hogy a motorolaj visszatérjen az olajtartályba, hogy pontos legyen az olajsint ellenőrzése.

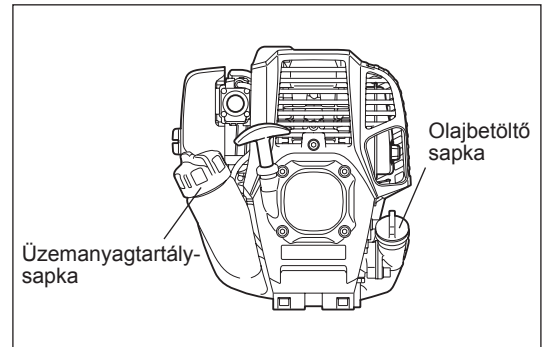
**MEGJEGYZÉS:** Ha az olajsint a felső határ fölött van, az olaj szennyeződhet vagy fehér füst kíséretében meggyulladhat.

**Csereperiódus:** Az első 20 üzemóra után, majd ezt követően minden 50. üzemórában.

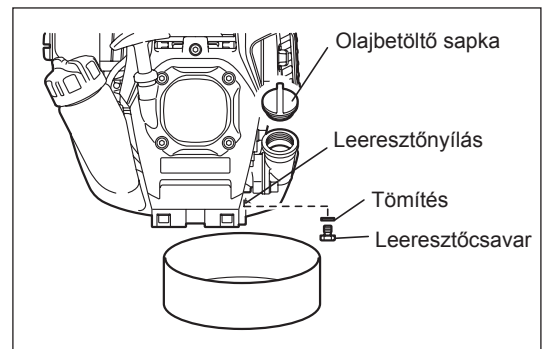
**Ajánlott olaj:** API besorolású SAE 10W-30 olaj, SF vagy magasabb osztályú (négyütemű gépjárműmotorokhoz)

A cseréhez a következőket műveleteket végezze el.

- 1) Győződjön meg arról, hogy az üzemanyagtartály sapkája szorosan meg van húzva.
- 2) Helyezzen egy nagy tárolóedényt (tálcat stb.) a leeresztőnyílás alá.



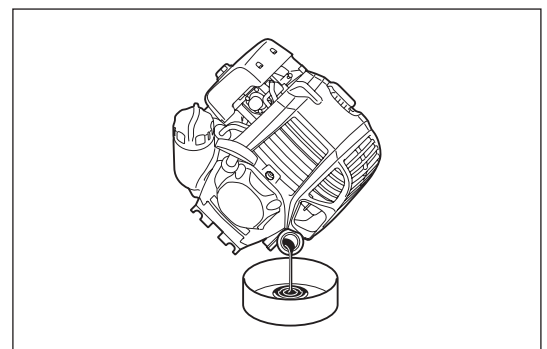
- 3) Szerelje ki a leeresztőcsavart, majd vegye le az olajbetöltő sapkát, hogy az olajat leengedje a motorból. Ekkor ügyeljen arra, hogy ne vesszen el a leeresztőcsavar tömítése, illetve hogy a leszerelt alkatrészek egyike se szennyeződjön be.
- 4) Amikor az összes olajat leengedte, helyezze a tömítést a leeresztőcsavarra, és húzza meg a csavart olyan szorosan, hogy ne lazuljon meg és megfelelően tömítsen.  
\* Egy ruhával teljesen törölje le a csavarra és a motorra került olajat.



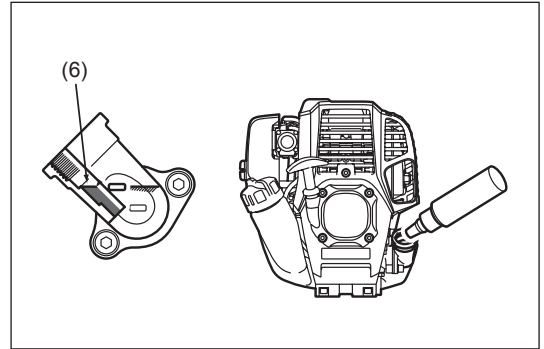
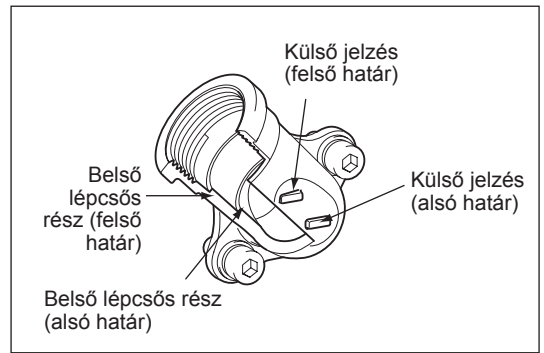
### Alternatív leeresztési módszer

Vegye le az olajbetöltő sapkát, döntse meg a gépet az olajbetöltő nyílás felé, és engedje ki az olajat.

Az olajat fogja fel egy edénybe.



- 5) Állítsa a motort vízszintes helyzetbe, és fokozatosan töltsse bele az új olajat a felső határig (6).
- 6) Feltöltés után olyan szorosan húzza meg az olajbetöltő sapkát, hogy ne lazuljon meg és ne szivároгjon. Ha az olajbetöltő sapka nincs szorosan meghúzva, akkor az olaj szivároгhat.



#### AZ OLAJRA VONATKOZÓ ELŐÍRÁSOK

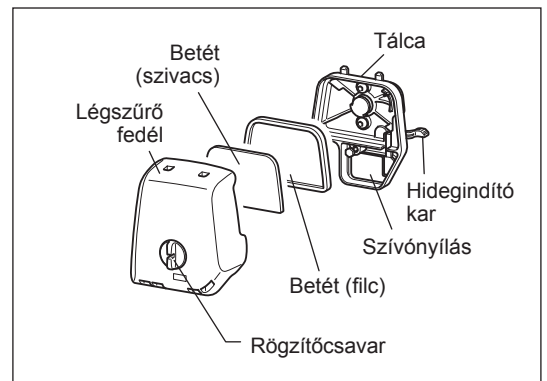
- A lecserélt olajat soha ne öntse a szemébe, a földre vagy a szennyvízcsatornába. Az olaj ártalmatlanítását törvény szabályozza. Ártalmatlanításkor mindig kövesse a vonatkozó törvényeket és szabályozásokat. Ha bármilyen kérdése van, lépjen kapcsolatba a hivatalos szervizzel.
- Az olaj használaton kívül is elhasználódik. Rendszeres időközönként végezzen átvizsgálást és cserét (6 havonta cserélje le az olajat).

#### A légszűrő tisztítása

##### VESZÉLY: Éghető anyagok használata szigorúan tilos

Ellenőrizze és tisztítsa meg a légszűrőt naponta, illetve 10 üzemóránként.

- A hidegindító kart fordítsa teljesen zárt helyzetbe, a karburátort tisztítsa meg a portól és szennyeződéstől.
- Lazítsa meg a rögzítőcsavart.
- Távolítsa el a légszűrő fedelét az alsó felület húzásával.
- Vegye ki a betéteket, és a kosz eltávolításához ütöгesse meg őket.
- Ha a betétek nagyon szennyezettek:  
Vegye ki a betéteket, merítse azokat melegvízbe vagy vízzel hígított semleges tisztítószerbe, majd teljesen szárítsa ki őket. Ne nyomja vagy karcolja össze őket mosás közben.
- A betétek behelyezése előtt győződjön meg róla, hogy teljesen megszáradtak. A nem teljesen megszáradt betét nehézkes indítást okozhat.
- A légszűrő fedele és a szívónyílás köré tapadt olajat ronggyal törölje le.
- Illessze a betétet (szivacsot) a másik betétre (filc).
- Helyezze a betéteket tálcába úgy, hogy a szivacsbetét légszűrő fedele felé nézzen.
- Azonnal szerelje fel a légszűrő fedelét, és húzza meg a rögzítő csavarokat. (Az összeszereléskor először a felső karmot, majd az alsó karmot tegye fel.)



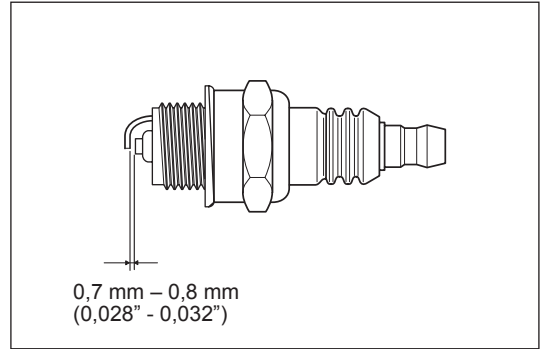
#### FIGYELMEZTETÉS:

- Túl sok por felhalmozódása esetén naponta többször tisztítsa a betéteket. A koszos betétek csökkentik a motor teljesítményét, és nehezítik annak beindítását.
- Távolítsa el az olajat a betétekről. Ha továbbra is olajjal szennyezett betétekkel működteti a gépet, a légszűrőben lévő olaj kifolyhat, ami környezetszennyezést okozhat.
- Ne tegye a betéteket a földre vagy poros helyre. Ellenkező esetben szennyeződéhetnek vagy törmelék kerülhet beléjük, ami károsíthatja a motort.
- Soha ne használjon üzemyagot a betétek tisztításához. Az üzemyag károsíthatja azokat.

## AGYÚJTÓGYERTYA ELLENŐRZÉSE

- A gyújtógyertya eltávolításához vagy beszereléséhez csak a mellékelt univerzális kulcsot használja.
- A gyújtógyertya két elektródája közötti távolságnak 0,7–0,8 mm-nek kell lennie. Ha a hézag túl nagy vagy túl kicsi, állítsa be. Ha a gyújtógyertya szennyezett vagy eltömődött, alaposan tisztítsa ki, vagy cserélje ki.

VIGYÁZAT: Működő motornál soha ne érintse meg a gyújtáskábelt (nagyfeszültségű áramütés veszélye).



## Az üzemanyagszűrő tisztítása (szívófej az üzemanyagtartályban)

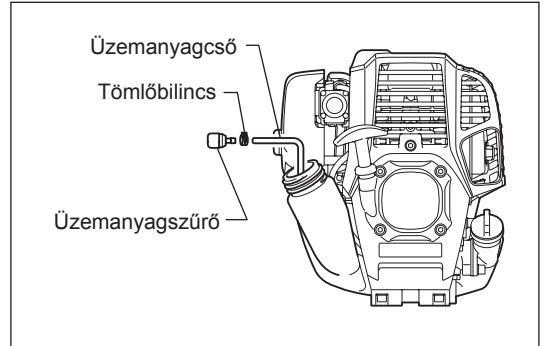
### FIGYELEM: ÉGHETŐ ANYAGOK HASZNÁLATA SZIGORÚAN TILOS

Ellenőrizze és tisztítsa meg az üzemanyagszűrőt naponta, illetve 50 üzemóránként.

Rendszeresen ellenőrizze az üzemanyagszűrőt. Az üzemanyagszűrő ellenőrzéséhez kövesse az alábbi lépéseket.

- (1) Vegye le az üzemanyagtartály sapkáját, és engedje le teljesen az üzemanyagtartály tartalmát. Ellenőrizze, hogy a tartály belseje idegen anyagoktól mentes-e. Ha nem, távolítsa el azokat.
- (2) Egy drótkampó segítségével húzza ki a szívófejet az üzemanyagtartály nyílásán át.
- (3) Ha az üzemanyagszűrő eltömődött egy kicsit, tisztítsa ki. A tisztításhoz óvatosan rázza és mártsa üzemanyagba. A sérülések elkerülése végett ne nyomja vagy dörzsölje össze. A tisztításhoz használt üzemanyagot a használat országának megfelelő hulladékkezelési módszerek szerint kell kidobni. Ha az üzemanyagszűrő nehéz lesz vagy nagyon eltömődik, cserélje ki.
- (4) Ellenőrzés, tisztítás vagy csere után nyomja az üzemanyagszűrőt egészen az üzemanyagtartály aljára.

Az eltömődött vagy sérült üzemanyagszűrő nem megfelelő üzemanyag-ellátást eredményezhet, és csökkentheti a motor teljesítményét. A karburátor megfelelő üzemanyag-ellátásának biztosítására legalább negyedévenként cserélje az üzemanyagszűrőt.



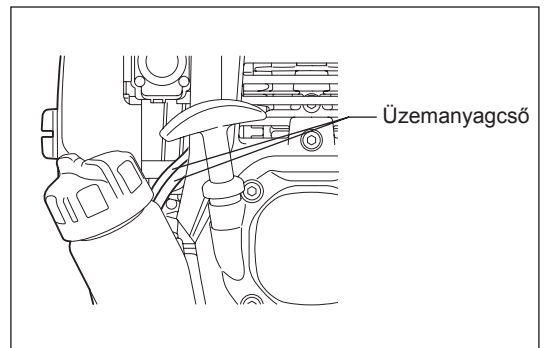
## Az üzemanyagcső cseréje

### VIGYÁZAT: Éghető anyagok használata szigorúan tilos

Ellenőrizze és tisztítsa meg az üzemanyagcsövet naponta, illetve 10 üzemóránként.

Cserélje ki az üzemanyagcsövet 200 üzemóránként, illetve évente, a használat gyakoriságától függetlenül. Ellenkező esetben az üzemanyag szivárgása tüzet okozhat.

Ha az ellenőrzés során szivárgást észlel, azonnal cserélje ki az üzemanyagcsövet.



## CSAVAROK ÉS CSAVARANYÁK ÁTVIZSGÁLÁSA

- Húzza meg a meglazult csavarokat, csavaranyákat stb.
- Keressen olaj- és üzemanyag-szivárgást.
- A biztonságos használatához a sérült alkatrészeket cserélje újakra.

## AZ ALKATRÉSZEK TISZTÍTÁSA

- A tisztántartáshoz mindig törölje le a motort egy ronggyal.
- A henger bordáit tartsa tisztán, portól vagy szennyeződéstől mentesen. A bordákra tapadt por vagy szennyeződés a dugattyú beszorulását okozhatja.

## A TÖMÍTÉSEK ÉS A TÖMÍTŐGYŰRŰK CSERÉJE

Cserélje ki a tömítéseket és a tömítőgyűrűket, ha a motort szétszerelte. A kézikönyvben nem ismertett karbantartási és beállítási műveletekkel kapcsolatban kérdezze meg a MAKITA hivatalos szervizközpontját.

## TÁROLÁS

**FIGYELEM:** Az üzemanyag leeresztésekor állítsa le a motort, és várja meg amíg teljesen lehűl.

Az alábbi pontok figyelmen kívül hagyása tüzet vagy égési sérüléseket okozhat.

**FIGYELEM:** A gép hosszabb ideig való tárolásakor az összes üzemanyagot engedje le az üzemanyagtartályból és a karburátorból, majd tegye száraz és tiszta helyre.

- A következő eljárás szerint ürítse ki az üzemanyagot az üzemanyagtartályból és a karburátorból:

- 1) Vegye le az üzemanyagtartály sapkáját, és engedje le az összes üzemanyagot. Ha bármilyen idegen anyag maradt az üzemanyagtartályban, távolítsa el.
- 2) Egy dróttal húzza ki az üzemanyagszűrőt a betöltőnyíláson át.
- 3) Addig nyomkodja az feltöltőpumpát, amíg ki nem folyik belőle az üzemanyag, vissza az üzemanyagtartályba.
- 4) Tegye vissza az üzemanyagszűrőt, és erősen húzza meg az üzemanyagtartály sapkáját.
- 5) Ezután addig járassa a motort, amíg le nem áll.

- Vegye ki a gyújtógyertyát, majd a gyújtógyertya nyílásába cseppentsen néhány csepp motorolajat.

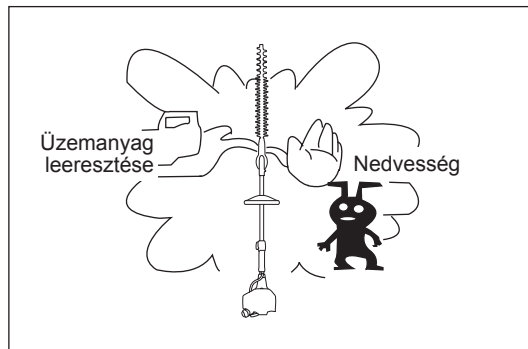
- Finoman húzza meg a indítógantyút, így a motorolaj szétterjed a motorban, ezután és tegye vissza a gyújtógyertyát.

- Szerelje fel a vágókésekre a burkolatot.

- A gépet általában vízszintes helyzetben tárolja. Ha ez nem lehetséges, akkor úgy, hogy a motor a vágószerszám alatt legyen. Ellenkező esetben a motorolaj szivároghat belülről.

- Mindig ügyeljen rá, hogy biztonságos helyen tárolja a gépet, hogy megelőzze annak károsodását vagy a személyi sérülést.

- A leeresztett üzemanyagot egy speciális tartályban, jól szellőztetett helyiségben tárolja.



**Teendők hosszabb idejű tárolást követően**

- Hosszabb idejű leállást követően a beindítás előtt cserélje le az olajat (lásd 140. oldal). Az olaj használaton kívül is elhasználódik.

Használati idő Elem		Használat előtt	Naponta (10 ó)	25 ó	50 ó	200 ó	Leállítás/ lehelyezés	Vonatkozó oldal
Motorolaj	Átvizsgálás	○						131
	Csere				○ <sup>*1</sup>			140
Alkatrészek meghúzása (csavar, csavaranya)	Átvizsgálás	○						142
Üzemanyagtartály	Tisztítás/ átvizsgálás	○						-
	Üzemanyag leeresztése						○ <sup>*3</sup>	143
Gázkar	Működés ellenőrzése	○						133
Leállítás kapcsoló	Működés ellenőrzése	○						133, 135
Vágókécek	Átvizsgálás	○	○					133, 138
Forgás alacsony fordulatszámmon	Átvizsgálás/ beállítás		○					135
Légszűrő	Tisztítsa meg		○					141
Gyújtógyertya	Átvizsgálás		○					142
Hűtőlevegő csöve	Tisztítás/ átvizsgálás		○					142
Üzemanyagcső	Átvizsgálás		○					142
	Csere					◎ <sup>*2</sup>		-
Fogaskerékház kenése	Újratöltés			○				139
Üzemanyagszűrő	Tisztítás/csere				○			142
A szívószelep és a kipufogószelep közötti távolság	Beállítás					◎ <sup>*2</sup>		-
Motor generáljavítása						◎ <sup>*2</sup>		-
Karburátor	Üzemanyag leeresztése						○ <sup>*3</sup>	143

\*1 Az első cserét 20 üzemóra után végezze el.

\*2 A 200 üzemórás átvizsgálást hivatalos szervizben vagy műhelyben végeztesse el.

\*3 Az üzemanyagtartály leürítése után folytassa a motor működtetését, és ürítse le a karburátorban levő üzemanyagot.



## HIBAELHÁRÍTÁS

Mielőtt a gép javítását kéri, próbálja megállapítani a hibát. Ha bármilyen szokatlan dolgot észlelt, a kézikönyvben leírtak szerint üzemeltesse a gépet. Soha ne nyúljon bele és ne szereljen szét semmilyen alkatrészt a leírástól eltérő módon. A javításhoz lépjen kapcsolatba a hivatalos szervizzel vagy a helyi forgalmazóval.

Rendellenes állapot	Lehetséges ok (meghibásodás)	Megoldás
A motor nem indul be	A feltöltő pumpa használatának elmulasztása	Nyomja meg 7–10-szer
	Az indítókötél alacsony berántási sebessége	Húzza meg erősebben
	Üzemanyaghiány	Töltse fel üzemanyaggal
	Eltömődött üzemanyagszűrő	Tisztítsa meg
	Megtört üzemanyagcső	Egyenesítse ki az üzemanyagcsövet
	Rossz üzemanyag	A rossz minőségű üzemanyag megnehezíti az indítást. Cserélje le új alkatrészszel. (Ajánlott csereintervallum: 1 hónap)
	Túlzott üzemanyag beszívás	A gázkart közepesről állítsa maximális fordulatszámra, és az indítógantyúval addig kísérletezzen a motor berántásával, amíg be nem indul. <b>A motor beindulásakor a vágókések elkezdnek forogni. Fordítson teljes figyelmet a vágókésekre.</b> Ha még mindig nem indul be a motor, vegye ki a gyújtógyertyát, szárítsa meg az elektródát, és úgy tegye vissza a gyertyát. Ezután a megadott módon indítsa be a motort.
	Lecsúsztott a gyertyapipa	Rögzítse megfelelően
	Elszennyeződött gyújtógyertya	Tisztítsa meg
	Nem megfelelő a gyújtógyertya hézagja	Állítsa be a hézagot
	A gyújtógyertya más meghibásodása	Csere
	Hibás karburátor	Végeztesen átvizsgálást és karbantartást.
	A berántókötélet nem lehet meghúzni	Végeztesen átvizsgálást és karbantartást.
Hibás meghajtórendszer	Végeztesen átvizsgálást és karbantartást.	
A motor hamar leáll A motor fordulatszáma nem nő	Elégtelen bemelegítés	Melegítse be a motort
	A hidegindító kar „H” helyzetben van, pedig a motor már bemelegedett.	Állítsa „II” állásba
	Eltömődött üzemanyagszűrő	Tisztítsa meg vagy cserélje ki
	Szennyezett vagy eltömődött légszűrő	Tisztítsa meg
	Hibás karburátor	Végeztesen átvizsgálást és karbantartást.
	Hibás meghajtórendszer	Végeztesen átvizsgálást és karbantartást.
A vágókések nem mozdulnak meg ↓ Azonnal állítsa le a motort	Nem megfelelő szögű vágóegység	Győződjön meg arról, hogy a beállítást rögzítő zár megfelelően működik-e.
	Meglazult vágókések-rögzítőcsavaranya	Húzza meg
	A vágókések közé ágak kerültek.	Távolítsa el az idegen anyagot
	Hibás meghajtórendszer	Végeztesen átvizsgálást és karbantartást.
A főegység szokatlanul vibrál ↓ Azonnal állítsa le a motort	Törött, hajlott vagy elhasználódott a vágókések	Cserélje ki a vágókéseket
	Meglazult vágókések-rögzítőcsavaranya	Húzza meg
	Hibás meghajtórendszer	Végeztesen átvizsgálást és karbantartást.
A vágókések nem állnak meg azonnal ↓ Azonnal állítsa le a motort	Magas alapjáratú fordulatszám	Beállítás
	Kiakadt a gázkar vezetéke	Rögzítse megfelelően
	Hibás meghajtórendszer	Végeztesen átvizsgálást és karbantartást.
A motor nem áll le ↓ Alapjáraton járassa a motort, és a hidegindító kart állítsa „H” állásba	Lecsúsztott csatlakozó	Rögzítse megfelelően
	Hibás elektromos rendszer	Végeztesen átvizsgálást és karbantartást.

Amikor a motor nem indul be a bemelegítés után:

Ha nem talál hibát az elemek ellenőrzésekor, állítsa a gázkart 1/3 fordulatszámra, és indítsa be a motort.

Veľmi pekne vám ďakujeme, že ste sa rozhodli pre tyčové nožnice na živý plot značky MAKITA. S potešením vám ponúkame výrobok, ktorý je výsledkom rozsiahleho programu vývoja a mnohých rokov znalostí a skúseností.

Na bezpečné dosiahnutie najlepších možných výsledkov pri používaní tyčových nožíc na živý plot značky MAKITA si, prosím, dôkladne prečítajte tento návod na obsluhu skôr, ako začnete zariadenie používať, a dodržiavajte všetky v ňom uvedené pokyny s cieľom zabezpečiť správne fungovanie tyčových nožíc na živý plot značky MAKITA.



## Obsah

## Strana

Symboly.....	146
Bezpečnostné pokyny .....	147
Technické údaje.....	152
Označenie súčastí.....	153
Montáž.....	154
Popruh na plece (voliteľné príslušenstvo) .....	154
Palivo/dopĺňanie paliva.....	155
Opatrenia pred naštartovaním motora.....	157
Používanie tyčových nožíc na živý plot.....	160
Údržba .....	162
Uskladnenie.....	167
Riešenie problémov.....	169

## SYMBOLY

Počas čítania návodu na obsluhu si, prosím, všimnite s nasledujúce symboly.

	VÝSTRAHA/NEBEZPEČENSTVO		Dávajte pozor na zovretie
	Pred použitím si dôkladne prečítajte a v celom rozsahu pochopte pokyny uvedené v tomto návode		Dávajte pozor na elektrické vedenia; riziko zasiahnutia elektrickým prúdom
	ZÁKAZ		Palivo (benzín)
	Zákaz fajčenia		Manuálne spustenie motora
	Nepribližujte sa s otvoreným ohňom		Núdzové zastavenie
	Používajte ochrannú obuv		Prvá pomoc
	Používajte ochranné rukavice		ZAP./ŠTART
	Zabráňte vstupu osôb a zvierat na pracovisko		VYP./STOP
	Používajte ochrannú prilbu, ako aj chrániče zraku a sluchu		

## BEZPEČNOSTNÉ POKYNY

### Všeobecné pokyny

- Pred použitím si dôkladne prečítajte tento návod a podrobne sa oboznámte, ako správne manipulovať s tyčovými nožnicami na živý plot. AK SA TOTO ZARIADENIE POUŽÍVA NESPRÁVNYM SPÔSOBOM, MÔŽE SPÔSOBIŤ VÁŽNE PORANENIA!
- Pri požičiavaní tohto zariadenia inej osobe vždy poskytnite podrobné pokyny o správnom používaní tyčových nožníc na živý plot. S tyčovými nožnicami na živý plot odovzdajte aj návod na obsluhu.
- Prvopoužívateľia by mali predajcu požiadať o základné pokyny na správnu manipuláciu s tyčovými nožnicami na živý plot.
- Tento návod uschovajte na mieste, kde bude ľahko dostupný na rýchlu potrebu.
- Tyčové nožnice na živý plot nedovoľte používať osobám mladším ako 18 rokov. Osoby staršie ako 16 rokov môžu tyčové nožnice na živý plot používať na účely zaškolenia, a to pod neustálym dohľadom dospeléj osoby dôkladne oboznámenej s prevádzkou tyčových nožníc na živý plot.
- Tyčové nožnice na živý plot vždy používajte s maximálnou opatrnosťou a pozornosťou.
- Zariadenie sa nikdy nepokúšajte upravovať.
- Dodržiavajte nariadenia ohľadne manipulácie s tyčovými nožnicami na živý plot, ktoré sú v platnosti vo vašej krajine.
- K vážnemu poraneniu môže dôjsť, ak budete tyčové nožnice na živý plot používať v nasledovných prípadoch. Tyčové nožnice na živý plot nepoužívajte:
  - Ak máte pocit únavy alebo ste chorí.
  - Po požití alkoholu a/alebo liekov.
  - V noci alebo pri slabom osvetlení.
  - Počas tehotenstva.

### Určené použitie

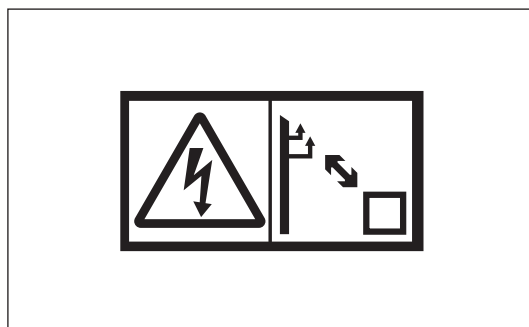
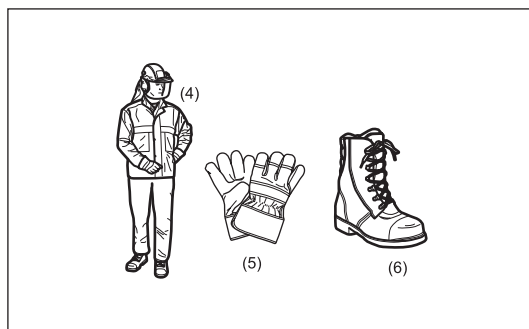
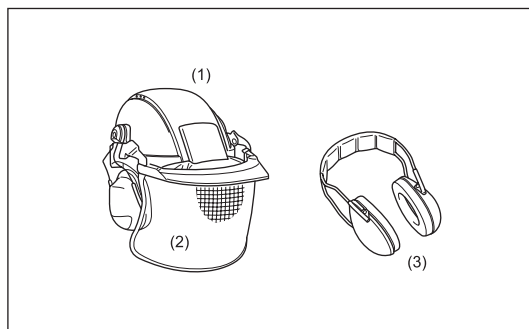
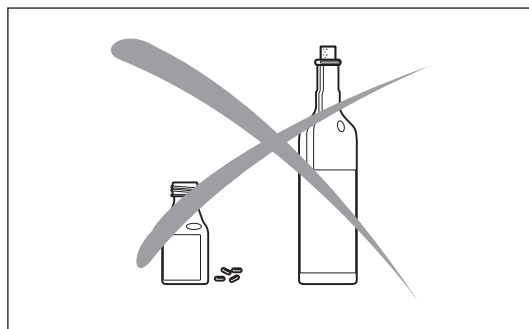
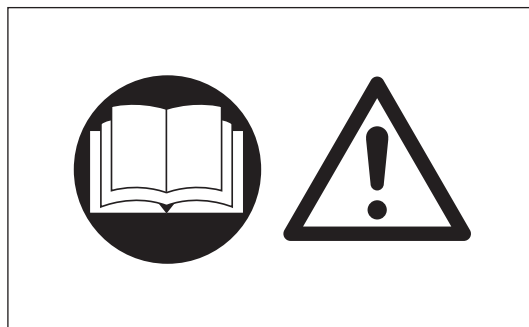
- Tieto tyčové nožnice na živý plot boli navrhnuté výlučne na strihanie živých plotov a kríkov. Tyčové nožnice na živý plot nepoužívajte na žiadne iné účely.

### Osobné ochranné pomôcky

- Používaný odev musí byť funkčný a priliehavý, bez obmedzovania pohybu. Nenoste odev ani šperky, ktoré by sa mohli zachytiť do podrastu alebo do zariadenia.
- Na správnu ochranu pred poranením hlavy, očí, nôh, rúk, ako aj pred poškodením sluchu, je nutné pri práci s tyčovými nožnicami na živý plot používať nasledujúce ochranné prostriedky a odev.
- Na zabránenie poranenia hlavy alebo očí vždy používajte ochrannú prilbu (1) s okuliarmi alebo chráničom (2).
- Na zabránenie poškodenia sluchu vždy používajte chrániče na uši (3).
- Dôrazne odporúčame používať pracovné kombinézy (4) správnej veľkosti.
- Pri práci s tyčovými nožnicami na živý plot vždy používajte hrubé kožené pracovné rukavice (5).
- Pri používaní tyčových nožníc na živý plot vždy používajte pevnú obuv (6) s nekĺzavou podrážkou. Špeciálna pracovná obuv zabezpečuje dobrý postoj a chráni pred poranením.
- Pri dotýkaní sa čepelí alebo jednotky čepele používajte ochranné rukavice. Čepeľami si môžete vážne porezať nechránené ruky.

### Bezpečnosť pracoviska

- **⚠ NEBEZPEČENSTVO:** Tyčové nožnice na živý plot držte v dostatočnej vzdialenosti od elektrických vedení a komunikačných káblov. Dotknutie alebo priblíženie sa tyčovými nožnicami na živý plot k vysokonapäťovým vedeniam môže mať za následok smrť alebo vážne poranenie. Pred začatím vykonávania práce si pozrite, kde sa v okolí pracoviska nachádzajú elektrické vedenia a elektrické oplotenia.
- Motor naštartujte a používajte len vonku, na dobre vetraných miestach. Používanie v obmedzených alebo zle vetraných priestoroch môže mať za následok smrť v dôsledku zadusenía alebo otravy oxidom uhoľnatým.
- Počas prevádzky zabezpečte, aby sa okolostojace osoby, a to hlavne deti, alebo zvieratá zdržiavali vo vzdialenosti aspoň 15 m od tyčových nožníc na živý plot. Ak sa ktokoľvek priblíži, okamžite vypnite motor.
- Pred vykonávaním práce skontrolujte pracovisko z pohľadu výskytu drôtených oplotení, kameňov alebo iných pevných predmetov. Môžu poškodiť čepele.
- **⚠ VÝSTRAHA:** Používaním tohto výrobku môže dochádzať k vzniku prachu, ktorý obsahuje chemikálie, ktoré môžu spôsobiť dýchacie problémy alebo iné ochorenia. Príklady týchto chemikálií alebo zložiek možno nájsť v pesticídoch, insekticídoch, hnojivách a herbicídoch. Riziko ohrozenia vašej osoby vystavením sa týmto látkam sa líši v závislosti od toho, ako často vykonávate tento typ práce. Ako znížite riziká z vystavenia týmto chemikáliám: pracujte na dobre vetranom mieste a pracujte so schválenými ochrannými prostriedkami, napríklad protiprachovými maskami, ktoré sú špeciálne určené na filtrovanie mikroskopických častíc.



## Naštartovanie tyčových nožníc na živý plot

- Pred montážou alebo nastavovaním zariadenia vypnite motor a odpojte konektor zapalovacej sviečky.
- Pred naštartovaním tyčových nožníc na živý plot vždy skontrolujte, že zariadenie je v bezpečnom prevádzkovom stave.
- Motor sa nepokúšajte nikdy naštartovať, ak je zariadenie poškodené.
- Skontrolujte fungovanie bezpečnostného mechanizmu páčky škrtiacej klapky. Páčka odblokovania musí fungovať plynulo a ľahko. Skontrolujte správnosť fungovania páčky odblokovania. Skontrolujte, že rukováti sú čisté a suché a vyskúšajte správnosť fungovania vypínača STOP.

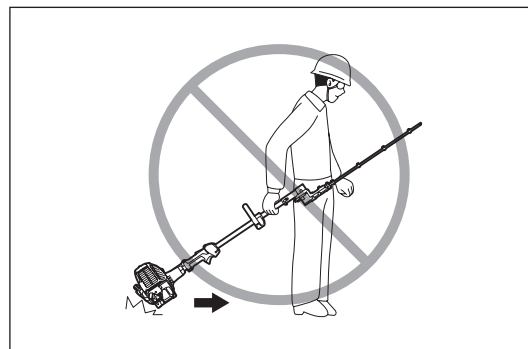
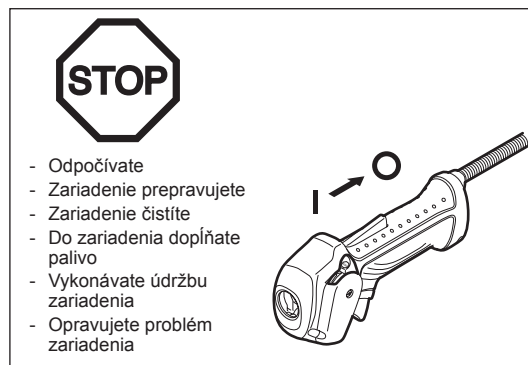
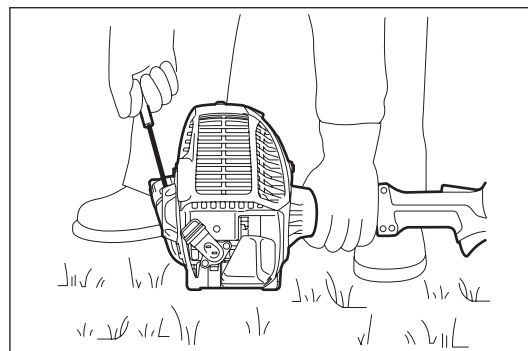
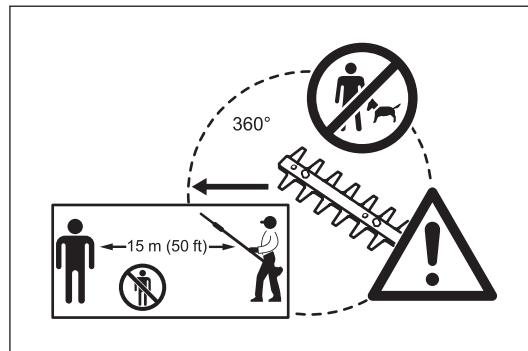
Tyčové nožnice na živý plot vždy štartujte podľa usmernení, ktoré sú uvedené v tomto návode na obsluhu.

## Tyčové nožnice na živý plot štartujte podľa dolu uvedených pokynov

- Tyčové nožnice na živý plot naštartujte len po úplnom zmontovaní zariadenia a namontovaní všetkých súčastí príslušenstva.
- Počas štartovania motora držte čepele od svojho tela alebo iných predmetov, vrátane zeme. Čepele sa môžu počas štartovania pohybovať a môžu spôsobiť vážne poranenie alebo poškodenie čepelí a/alebo majetku.
- Pred naštartovaním motora sa presvedčte, že sečným čepeliam neprekážajú žiadne predmety, ako sú kamene, vetvy a pod.
- Ak sa vyskytne problém s motorom, motor okamžite zastavte.
- Pri ťahaní gombíka štartéra držte pevne zariadenie ľavou rukou pri zemi. Nikdy nestúpajte na hnací hriadeľ.
- Ak sa čepele pohybujú pri voľnoběžných otáčkach, zastavte motor a znížte voľnoběžné otáčky.
- Pri prevádzkovaní tyčových nožníc na živý plot vždy zachovávajte pevné uchopenie oboch rukovätí. Prsty pevne oviňte okolo oboch rukovätí držiac rukoväť medzi palcom a ukazovákom. Aby ste zachovali kontrolu nad tyčovými nožnicami na živý plot, vyhýbajte sa zmene uchopenia počas prevádzky. Presvedčte sa, že ovládacie rukováti sú v dobrom stave a bez výskytu vlhkosti, blata, oleja alebo maziva.

## Vždy zachovávajte bezpečný a vyrovnaný postoj

- Motor okamžite zastavte a prestaňte zariadenie používať, ak dôjde k problémom s motorom, alebo ak zariadenie začne vydávať nezvyčajný zvuk.
- Výfukové výpary sú jedovaté. Zariadenie nikdy neprevádzkujte v uzavretej miestnosti alebo v tuneli bez ventilácie (riziko zadusenía a otravy plynmi). Uvedomte si, že oxid uhoľnatý je plynom bez zápachu. Vždy zabezpečte, aby miesta, kde sa používa motor, boli postačujúco odvetrávané.
- Motor zastavte počas odpočinku, alebo ak nechávate tyčové nožnice na živý plot bez dozoru. Zariadenie uložte na bezpečné miesto a skontrolujte, že sa v blízkosti nenachádza horľavý materiál.
- Horúce tyčové nožnice na živý plot nikdy nekladte na suchú trávu alebo horľavý materiál.
- Aby ste znížili riziko vzniku požiaru, z motora a tlmiča výfuku odstraňujte úlomky, lístie a prebytočné mazivo.
- Motor nikdy neprevádzkujte, ak je tlmič výfuku chybný.
- Pred prepravou motor vypnite.
- Motor zastavte vždy, keď:
  - Odpočívate
  - Zariadenie prepravujete
  - Zariadenie čistíte
  - Do zariadenia dopĺňate palivo
  - Vykonávate údržbu zariadenia
  - Opravujete problém zariadenia
- Pri prenášaní zariadenia zariadenie držte v horizontálnej polohe, držiac ho za tyč. Horúci tlmič výfuku nepribližujte k telu.
- Pri preprave zariadenia vo vozidle vždy bezpečne tyčové nožnice na živý plot zaistíte, aby ste predišli unikaniu zvyškového paliva.
- Pred prepravou tyčových nožníc na živý plot vždy palivovú nádrž vyprázdňte.
- Pri vykladaní zariadenia z vozidla dávajte veľký pozor, aby vám tyčové nožnice na živý plot nespádli na zem, pretože môže dôjsť k vážnemu poškodeniu palivovej nádrže.
- Okrem núdzových prípadov nikdy nedovoľte, aby tyčové nožnice na živý plot spadli, pretože môže dôjsť k vážnemu poškodeniu zariadenia.
- Pri preprave tyčových nožníc na živý plot vždy zariadenie úplne zdvihnite zo zeme. Zariadenie nikdy neťahajte po zemi, pretože môže dôjsť k poškodeniu palivovej nádrže s následkom možného požiaru.
- Vždy používajte dodávaný kryt na sečné zariadenie na ochranu a zabezpečenie sečnej časti tyčových nožníc na živý plot počas prepravy a uskladnenia.
- Ak bude zariadenie vystavené silnému nárazu, alebo ak spadne, pred pokračovaním práce skontrolujte jeho stav. Palivový systém skontrolujte z pohľadu unikania a ovládacie prvky a bezpečnostné zariadenia skontrolujte z pohľadu vyskytnutých sa chýb. V prípade výskytu poškodenia, alebo v prípade pochybností požiadajte naše autorizované servisné stredisko o vykonanie kontroly a opravy.

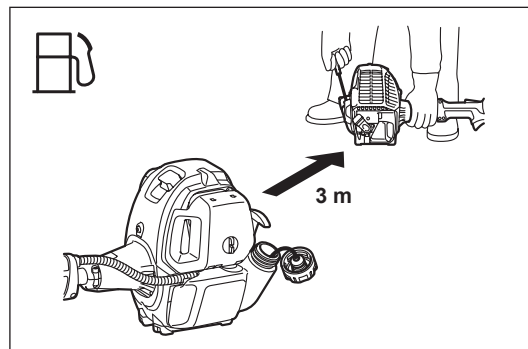
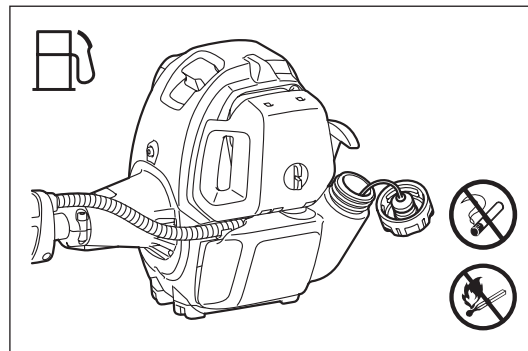


## Plnenie paliva

- Pred plnením paliva zastavte motor.
- Palivo nikdy neplňte v blízkosti otvoreného plameňa.
- Počas plnenia paliva nefajčite.
- Pred plnením paliva nechajte vždy motor počas postačujúco dlhej doby vychladnúť.
- Dávajte pozor, aby vaša pokožka neprišla do styku s ropnými produktmi. Palivové výpary nevdychujte a počas plnenia paliva vždy používajte ochranné rukavice. Ochranný odev vymieňajte a čistite v pravidelných intervaloch.
- Maximálny pozor dávajte na to, aby ste zabránili rozliatiu benzínu a oleja a neznečistili pôdu (ochrana životného prostredia). Ak dôjde k rozliatiu benzínu alebo oleja na tyčové nožnice na živý plot, povrch tyčových nožníc na živý plot okamžite utrite handrou. Aby ste zabránili samovoľnému zapáleniu, pred zlikvidovaním handier vyhodením do správnych, uzavretých nádob nechajte mokré handry úplne vyschnúť.
- Zabráňte kontaktu paliva s vaším odevom. Palivom znečistený odev ihneď vymeňte (riziko požiaru).
- Palivovú nádrž uzavrite a bezpečne utiahnite uzáver palivovej nádrže. Na opätovné naštartovanie motora premiestnite tyčové nožnice na živý plot na miesto vzdialené aspoň 3 metre od miesta plnenia paliva.
- Uzáver palivovej nádrže kontrolujte v pravidelných intervaloch a skontrolujte, že uzáver je bezpečne utiahnutý.
- Palivo do zariadenia nikdy nedopĺňajte v uzavretej miestnosti. Palivové výpary sa hromadia pri zemi (riziko výbuchu).
- Palivo skladujte len vo vhodných nádobách a palivo skladujte mimo dosahu detí.

## Prevádzka

- V núdzových prípadoch okamžite vypnite motor.
- Ak počas prevádzky zbadáte nezvyčajný stav (napr. hluk alebo vibrácie), vypnite motor. Tyčové nožnice na živý plot nepoužívajte až do zistenia a odstránenia príčiny.
- Po uvoľnení vypínača škrtiacej klapky alebo po vypnutí motora sa čepele budú ešte počas krátkej doby pohybovať. Neponáhľajte sa a nedotýkajte sa čepeľí.
- Nikdy sa nepokúšajte zariadenie obsluhovať len jednou rukou. Strata kontroly môže viesť k vážnym alebo smrteľným poraneniam. Aby ste znížili riziko poranenia porezaním, ponechajte ruky a nohy v dostatočnej vzdialenosti od čepeľí.
- Počas prevádzky majte svoju pravú ruku pod úrovňou pleca. V opačnom prípade môžete stratiť kontrolu s dôsledkom poranenia.
- Počas prevádzky nikdy čepeľami nenarážajte na tvrdé predmety, ako sú kamene a kovové predmety. Veľký pozor dávajte počas strihania živých plotov v blízkosti alebo pri drôtených plotoch. Ak pracujete blízko pri zemi, dávajte pozor, aby sa medzi čepele nedostal piesok, štrk alebo kamene.
- Ak čepele prídu do kontaktu s kameňmi alebo inými tvrdými predmetmi, okamžite zastavte motor a skontrolujte čepele z pohľadu poškodenia; najprv ale odpojte konektor zapalovacej sviečky. V prípade poškodenia čepele vymeňte.
- Nikdy sa nedotýkajte ani nepribližujte k pohybujúcim sa čepeľiam. Čepele môžu vaše prsty ľahko odseknúť. Pri manipulácii alebo približovaní sa k čepeľi zastavte motor a odpojte konektor zapalovacej sviečky.
- Ak sa v čepeľiach zablokujú hrubé konáre, okamžite zastavte motor, položte tyčové nožnice na živý plot na zem a následne, po odpojení konektora zapalovacej sviečky prekážku odstráňte. Pred opätovným použitím zariadenia skontrolujte, či nedošlo k poškodeniu čepeľí.
- Zvyšovaním otáčok motora pri zablokovaní čepeľí sa zvyšuje zaťaženie a môže dôjsť k poškodeniu motora a/alebo spojky.
- Počas prevádzky často kontrolujte, či sa na čepeľiach nenachádzajú praskliny alebo tupé hrany. Pred kontrolou vypnite motor a počkajte, kým sa čepele úplne nezastavia. Poškodené alebo tupé čepele okamžite vymeňte, a to aj v prípade len povrchových prasklín.
- Prevodovky sa nedotýkajte. Prevodovka je počas prevádzky horúca.
- Aby ste predišli strate ovládania v dôsledku únavy, robte si prestávky. Odporúčame urobiť si 10 až 20-minútovú prestávku každú hodinu.
- Pred strihaním potiahnite úplne páčku škrtiacej klapky, aby ste dosiahli maximálne otáčky.
- Počas prevádzky vždy držte tyčové nožnice na živý plot oboma rukami.
- Tyčové nožnice na živý plot používajte len v rámci dobrých svetelných podmienok a pri dobrej viditeľnosti. Počas chladného obdobia dávajte pozor na klzké a mokré miesta (ľad a sneh; nebezpečenstvo pošmyknutia) a vždy zaujmite bezpečný postoj.
- Tyčové nožnice na živý plot nikdy nepoužívajte stojac na nestabilnom povrchu alebo strmom svahu.
- Tyčové nožnice na živý plot nikdy nepoužívajte stojac na rebríku.
- Nikdy nelezte na strom, aby ste mohli používať tyčové nožnice na živý plot zo stromu.
- Aby ste zabránili potknutiu sa alebo spadnutiu, nikdy pri práci s tyčovými nožnicami na živý plot nekráčajte dozadu.
- Pred čistením alebo vykonávaním servisu zariadenia vždy zastavte motor. Súčiastky taktiež vymieňajte až po zastavení motora.
- Tyčové nožnice na živý plot nikdy nepoužívajte, ak je sečná jednotka poškodená alebo opotrebovaná.



## Vibrácie

- Osoby s oslabeným obehom vystavené nadmerným vibráciám môžu zaznamenať poranenie krvných ciev alebo nervového systému. Vibrácie môžu spôsobiť nasledujúce príznaky na prstoch, rukách alebo zápästiach: „nemožnosť pohybu“ (z necitlivenie), trnutie, bolesť, pocit pichania, zmena sfarbenia pokožky alebo zmena pokožky. Pri ktoromkoľvek z týchto príznakov navštívte lekára!
- Aby ste znížili riziko „choroby bielych prstov“, počas prevádzky udržiavajte ruky teplé a zariadenie a príslušenstvo majte v dobrom stave.

## Pokyny ohľadne údržby

- Servis svojho náradia zverte autorizovanému servisnému stredisku a vždy používajte len originálne náhradné diely. Nesprávnou opravou a nedostatočnou údržbou dôjde k skráteniu životnosti náradia a zvyšuje sa riziko úrazov.
- Počas používania tyčových nožníc na živý plot sa maximálne snažte udržiavať hodnoty znečistenia a emisií na najnižších možných hodnotách. Zvláštnu pozornosť venujte správne nastaveniu karburátora.
- Tyčové nožnice na živý plot čistite v pravidelných intervaloch a pravidelne kontrolujte bezpečné utiahnutie všetkých matic a svorníkov.
- Tyčové nožnice na živý plot nikdy neopravujte ani neskladujte v blízkosti otvoreného plameňa, výskytu iskier a pod.
- Ohnuté alebo zlomené čepele nikdy neopravujte narovnávaním alebo zvráňaním. Dôsledkom môže byť odpadnutie častí čepelí s dôsledkom vážneho poranenia. Ak potrebujete vymeniť originálne čepele značky MAKITA, spojte sa s autorizovaným servisným strediskom spoločnosti MAKITA.
- Na zabránenie následného poškodenia a/alebo osobného poranenia nevykonávajte opravu chybných tyčových nožníc na živý plot, ak na to nemáte kvalifikáciu. O opravu vždy požiadajte svojho predajcu alebo autorizovaného servisného zástupcu.

Nepokúšajte sa upravovať ani pretvárať tyčové nožnice na živý plot, pretože to môže mať vplyv na prevádzkovú bezpečnosť.

Údržba, ktorú môže vykonávať používateľ, je obmedzená na činnosti opísané v tomto návode na obsluhu. Všetky ostatné postupy musí vykonať autorizovaný servisný zástupca.

O vykonanie kontroly a údržby tyčových nožníc na živý plot v pravidelných intervaloch požiadajte autorizované servisné stredisko spoločnosti MAKITA. Používajte len originálne náhradné diely dodávané spoločnosťou MAKITA prostredníctvom autorizovaných servisných stredísk.

Používanie neautorizovaného príslušenstva a náradia môže zvýšiť riziko úrazu a poranenia. Spoločnosť MAKITA nepreberá žiadnu zodpovednosť za úrazy a škody v dôsledku používania neautorizovaného príslušenstva a náradia.

## Uskladnenie

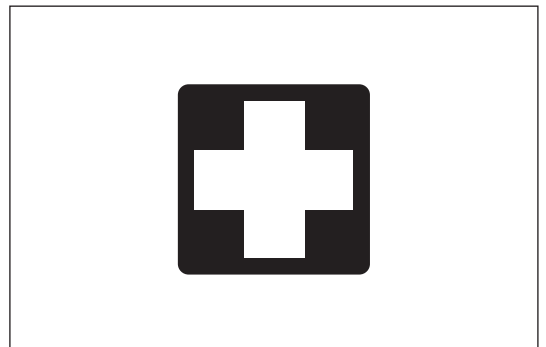
- Pred uskladnením zariadenia vykonajte úplné vyčistenie a údržbu. Nasadte kryt čepele.
- Pred uskladnením vyprázdňte palivovú nádrž a vždy tyčové nožnice na živý plot uskladnite v dobre vetranej uzamknutej miestnosti. Počas celej doby zabezpečte tyčové nožnice na živý plot mimo dosahu detí.
- Zariadenie neopierajte o nič, ako je stena. Tyčové nožnice na živý plot môžu náhle spadnúť s dôsledkom poranenia.

## Prvá pomoc

Preventívnym opatrením pred úrazom je zabezpečiť kompletne vybavenie lekárníčky, ktorá musí byť poruke a pripravená na použitie. Všetky položky vybrané z lekárníčky čo najskôr doplňte.

## Pri požiadaní o pomoc v prípade núdze poskytnite nasledovné informácie:

- Miesto úrazu
- Čo sa stalo
- Počet zranených osôb
- Rozsah poranení
- Vaše meno



**Len pre krajiny Európy**

**Vyhlásenie o zhode so smernicami Európskeho spoločenstva**

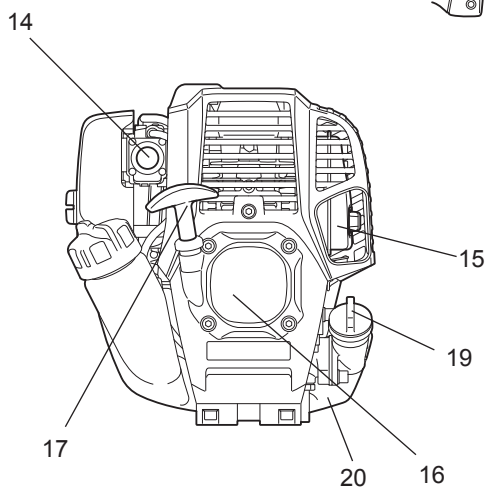
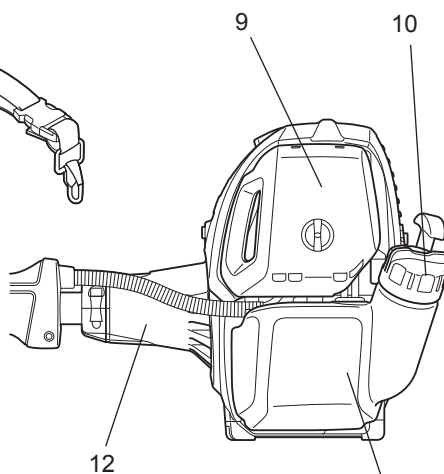
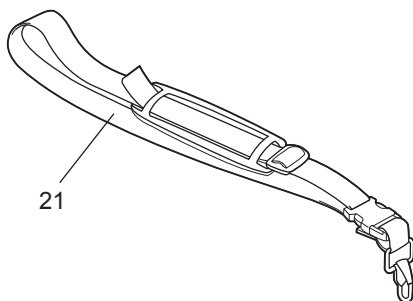
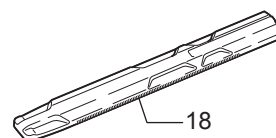
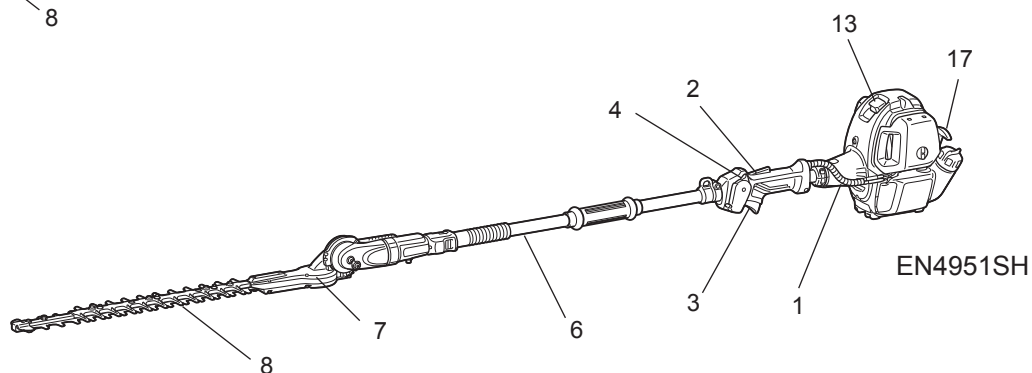
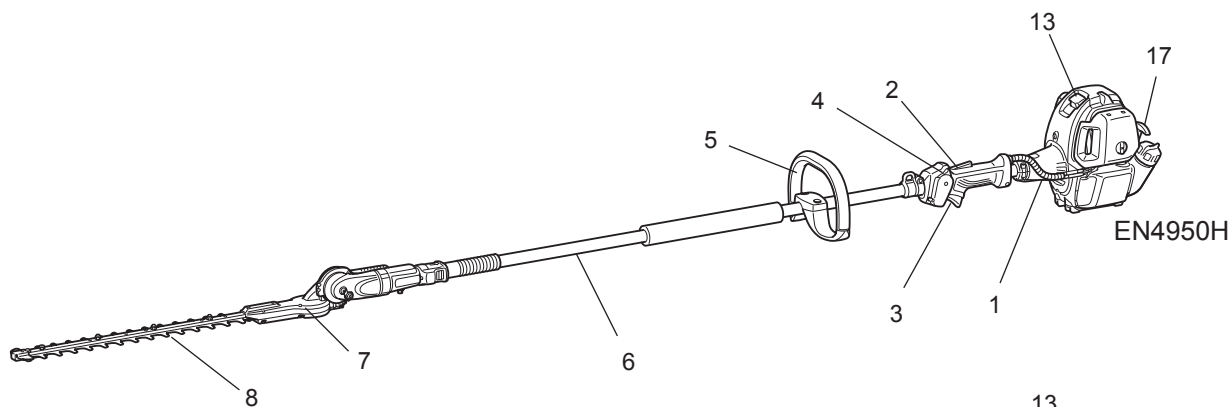
Vyhlásenie o zhode so smernicami Európskeho spoločenstva je súčasťou prílohy A tohto návodu na obsluhu.

## TECHNICKÉ ÚDAJE

Model	EN4950H		EN4951SH	
	Uzavretá rukoväť		Rovná rukoväť	
Rozmery (D x Š x V)	2550 mm x 242 mm x 241 mm		2050 mm x 221 mm x 241 mm	
Čistá hmotnosť	6,9 kg		6,6 kg	
Objem (palivovej nádrže)	0,6 l			
Sečná dĺžka	490 mm			
Maximálny priemer vetiev	7 mm			
Počet pohybov pri strihaní	4200 min <sup>-1</sup>			
Typ motora	Vzduchom chladený, 4-taktný s jedným valcom			
Zdvihový objem motora	25,4 cm <sup>3</sup>			
Maximálny výkon motora	0,77 kW pri 7000 min <sup>-1</sup>			
Otáčky motorapri odporúčaných maximálnych otáčkach hriadeľa	10000 min <sup>-1</sup>			
Spotreba paliva	0,33 kg/h			
Špecifická spotreba paliva	408 g/kWh			
Voľnobežné otáčky	3000 min <sup>-1</sup>			
Otáčky pri zaradení spojky	4400 min <sup>-1</sup>			
Karburátor (membránový karburátor)	Membránový typ			
Zapaľovacia sviečka	typ	NGK CMR4A		
Vzdialenosť elektród zapaľovacej sviečky	0,7 – 0,8 mm			
		Vibrácie podľa normy ISO 10517	Vibrácie podľa normy ISO 10517	
Pravá rukoväť (zadné držadlo)	a <sub>nv eq</sub>	8,5 m/s <sup>2</sup>	7,0 m/s <sup>2</sup>	
	Odchýlka K	1,3 m/s <sup>2</sup>	3,1 m/s <sup>2</sup>	
Ľavá rukoväť (predné držadlo)	a <sub>nv eq</sub>	6,4 m/s <sup>2</sup>	5,1 m/s <sup>2</sup>	
	Odchýlka K	2,6 m/s <sup>2</sup>	1,5 m/s <sup>2</sup>	
		Hluk podľa ISO 10517	Hluk podľa ISO 10517	
Úroveň akustického tlaku	90 dB (A)		90,2 dB (A)	
Odchýlka K	1,8 dB (A)		1,0 dB (A)	
Úroveň akustického výkonu	103,0 dB (A)		104,1 dB (A)	
Odchýlka K	1,0 dB (A)		0,4 dB (A)	
Palivo	Automobilový benzín (benzín)			
Motorový olej	Olej trieda SF podľa klasifikácie API alebo vyššia, SAE 10W-30 (olej pre 4-taktný automobilový motor)			
Prevodový pomer	1/4,78			



## OZNAČENIE SÚČASTÍ



	Označenie súčastí
1	Kábel škrtiacej klapky
2	Páčka odblokovania
3	Páčka škrtiacej klapky
4	Vypínač Stop
5	Rukoväť
6	Tyč
7	Prevodovka
8	Sečná čepeľ
9	Vzduchový filter
10	Uzáver palivovej nádrže
11	Palivová nádrž
12	Skriňa spojky
13	Konektor zapalovacej sviečky
14	Vstrekovacie čerpadlo
15	Tlmič výfuku
16	Reakčný štartér
17	Gombík štartéra
18	Kryt čepele
19	Uzáver olejovej nádrže
20	Olejová nádrž
21	Popruh na plece (voľiteľné príslušenstvo)

## MONTÁŽ

### ⚠ VÝSTRAHA:

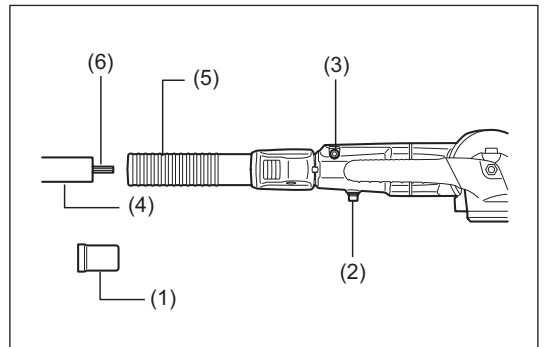
- Pred zmontovaním tyčových nožníc na živý plot vypnite motor a demontujte konektor zapalovacej sviečky.
- Používajte ochranné rukavice!
- Pri pripájaní nožníc na tyč nasadte na čepele dodávaný kryt čepele.

1. Z tyče snímte viečko (1).
2. Uvoľnite svorník M5 x 16 (2) a svorník M5 x 25 (3).
3. Zasuňte tyč (4) do krytu (5).

POZNÁMKA: Skontrolujte, že tyč je úplne zasunutá do krytu (približne 237 mm/9-3/8").

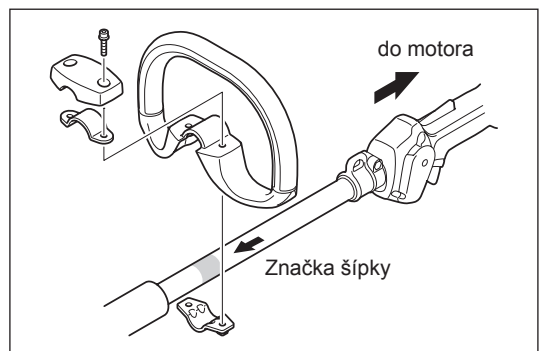
Ak máte problém so zasunutím tyče, manuálne trochu pootočte hnaciu osku (6) a skúste znova.

4. Skontrolujte, že tyč je správne zasunutá a potom utiahnite svorník M5 x 16 a svorník M5 x 25.



### PRIPOJENIE RUKOVÄTI (pre EN4950H)

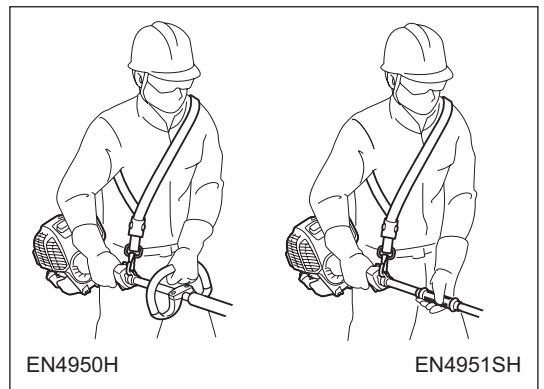
- Uzavretú rukoväť pripievňte na tyč, ako je to znázornené.
- Aby ste zachovali správnu vzdialenosť medzi držadlami, nastavte uzavretú rukoväť pred šípky.



## POPRAH NA PLECE (voliteľné príslušenstvo)

### Spôsob nosenia popruhu na plece

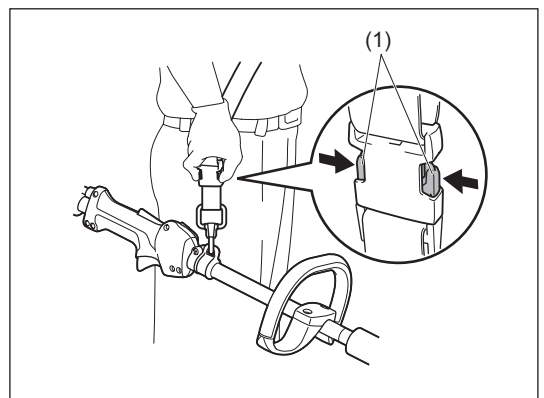
- Popruh na plece noste na ľavom pleci.
- Jednotku tyčových nožníc na živý plot noste na pravej strane svojho tela.
- Popruh pripievňte k závesu na tyčových nožniciach na živý plot a nastavte dĺžku popruhu tak, aby ste dosiahli pohodlnú pracovnú polohu.



### Odpojenie

- V prípade núdze stlačte zárezy (1) na oboch stranách, čím dôjde k odpojeniu stroja.
- V tomto prípade buďte veľmi opatrní a zachovajte ovládanie stroja. Nedovoľte, aby sa strojné zariadenie otočilo smerom k vám alebo smerom ku komukoľvek v okolí.

VÝSTRAHA: Opomenutie zachovať úplné ovládanie strojného zariadenia môže mať za následok vážne osobné poranenie alebo SMRŤ.



## PRED ZAČATÍM PREVÁDZKY

### Kontrola a naplnenie motorového oleja

- Nasledujúci postup vykonajte, kým je motor studený.
- Motor položte do vodorovnej polohy, demontujte uzáver olejovej nádrže (Obr. 1) a skontrolujte, či sa olej nachádza medzi značkami hornej a spodnej hranice na olejovej rúrke (Obr. 2).
- Pokiaľ je nedostatok oleja (hladina oleja je blízko značky spodnej hranice), olej naplňte po značku hornej hranice (Obr. 3).
- Časť okolo vonkajších značiek je priehľadná a tak možno množstvo oleja vo vnútri kontrolovať bez nutnosti domontovania uzáveru olejovej nádrže. Predsa len však, pokiaľ je olejová rúrka veľmi špinavá, dôjde k zníženej viditeľnosti a hladinu oleja budete musieť kontrolovať vzhľadom na stupňovitú časť vo vnútri olejovej rúrky.
- Ako pomôcka môže slúžiť informácia, že olej je potrebné naplniť po 10 hodinách prevádzky (po každom 10. plnení paliva). Pokiaľ olej zmení farbu alebo sa zmieša so špinou, vymeňte ho za nový. (Informácie o intervale a spôsobe výmeny nájdete na strane 164.)

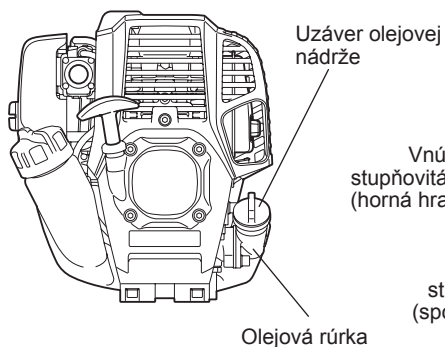
**Odporúčaný olej:** Olej SAE 10W-30 podľa klasifikácie API, trieda SF alebo vyššia (4-taktný automobilový motor)

**Objem oleja:** Približne 0,08 l

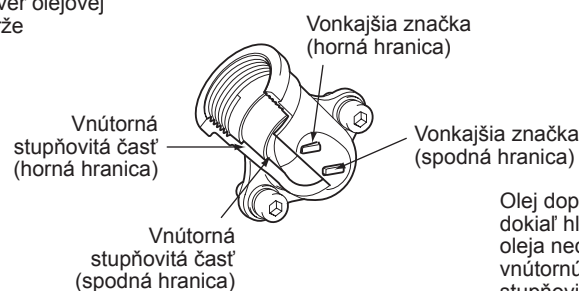
**POZNÁMKA:** Pokiaľ motor nedržíte vzpriamene, olej môže vytekať dookola motora a môže dochádzať k preplneniu olejom. Pokiaľ je olej naplnený nad medznú hodnotu, môže dôjsť k jeho znečisteniu, alebo sa môže vznietiť pri vydávaní bieleho dymu.

### Bod 1 pri výmene oleja: „Uzáver olejovej nádrže“

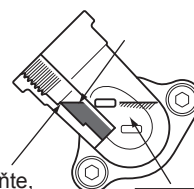
- Odstráňte prach a špinu v blízkosti otvoru na plnenie oleja a demontujte uzáver olejovej nádrže.
- Zabráňte znečisteniu uzáveru olejovej nádrže pieskom alebo prachom. V opačnom prípade spôsobí piesok alebo prach prilepený na uzávere olejovej nádrže nepravidelný obeh oleja alebo opotrebovanie súčastí motora s dôsledkom problémov.



Obr. 1



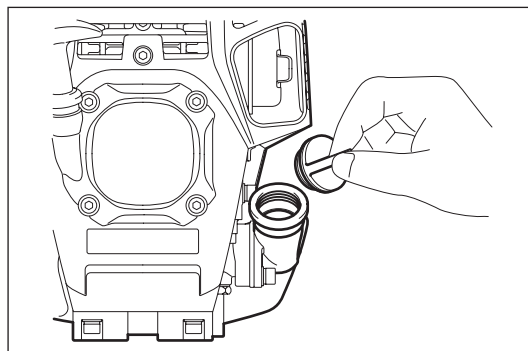
Obr. 2 Olejová rúrka



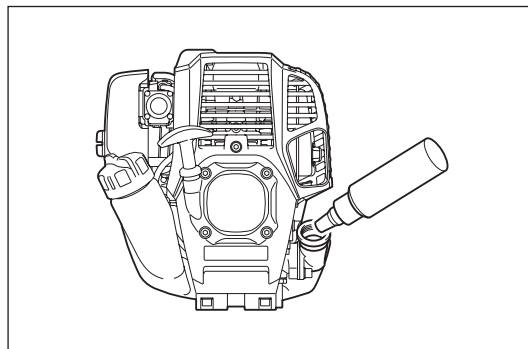
Obr. 3

Časť medzi externou hornou a spodnou hranicou je priehľadná, a tak môžete hladinu oleja externe kontrolovať podľa týchto značiek.

(1) Motor držte vodorovne a demontujte uzáver olejovej nádrže.



(2) Naplňte olejom po značku hornej hranice. (pozrite si obr. 3)  
Počas plnenia používajte fľašu od oleja.



(3) Bezpečne utiahnite uzáver olejovej nádrže. Nedostatočné utiahnutie môže spôsobiť unikanie oleja.

#### Poznámka

- Olej nevymieňajte, pokiaľ je motor v sklonenej polohe.
- Napĺňanie oleja, pokiaľ je motor v sklonenej polohe môže mať za následok preplnenie s dôsledkom znečistenia olejom a/alebo vytvárania bieleho dymu.

#### Bod 2 pri výmene oleja: „Pokiaľ dôjde k rozliatiu oleja“

- Pokiaľ sa olej rozleje do priestoru medzi palivovou nádržou a hlavnou jednotkou motora, olej bude nasatý cez otvor prívodu chladiaceho vzduchu, čím dôjde k znečisteniu motora. Skôr, ako začnete s prevádzkou, utrite rozliaty olej.

## PLNENIE PALIVA

### Manipulácia s palivom

S palivom je nutné manipulovať s maximálnou opatnosťou. Palivo môže obsahovať látky podobné rozpúšťadlám. Plnenie paliva sa musí vykonávať v dobre vetranej miestnosti alebo na otvorenom priestranstve. Nikdy nevdychujte palivové výpary a palivo udržiavajte v dostatočnej vzdialenosti od seba. Pokiaľ sa paliva opakovane dotknete, alebo ak dôjde k dlhodobému styku s palivom, pokožka bude suchá, čo môže spôsobiť ochorenie kože alebo alergiu. Ak sa palivo dostane do očí, oči vypláchnite čerstvou vodou. Ak zostanú oči aj naďalej podráždené, vyhľadajte lekársku pomoc.

### Doba skladovania paliva

Palivo by sa malo spotrebovať počas doby 4 týždňov, a to aj v prípade jeho uskladnenia v špeciálnej nádobe na dobre vetranom zatienenom mieste.

V opačnom prípade sa môže palivo znehodnotiť za jeden deň.

### USKLADNENIE STROJA A NAPLNENIE NÁDRŽE

- Stroj a nádrž uskladňujte na chladnom mieste bez účinkov priameho slnečného žiarenia.
- Nikdy neuschovávajú palivo vo vozidle.

### Palivo

Motor predstavuje štvortaktný motor. Používajte bezolovnatý automobilový benzín 87 alebo viac oktánový ((R+M)/2). Môže obsahovať nie viac ako 10 % alkoholu (E-10).

### Body ohľadne paliva

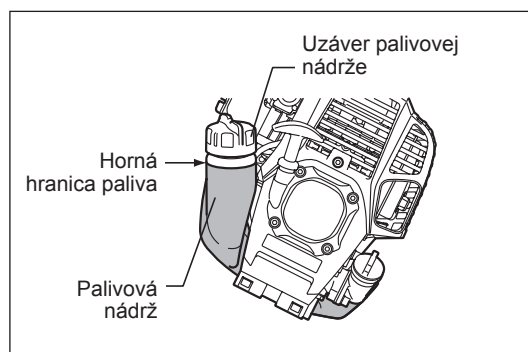
- Nikdy nepoužívajte zmes benzínu obsahujúcu motorový olej. V opačnom prípade dôjde k nadmernému hromadeniu uhlíka alebo k mechanickým problémom.
- Používanie znehodnoteného oleja spôsobí nepravidelné naštartovanie.

### Plnenie paliva

#### VÝSTRAHA: PRÍTOMNOSŤ HORĽAVÍN JE PRÍSNE ZAKÁZANÁ

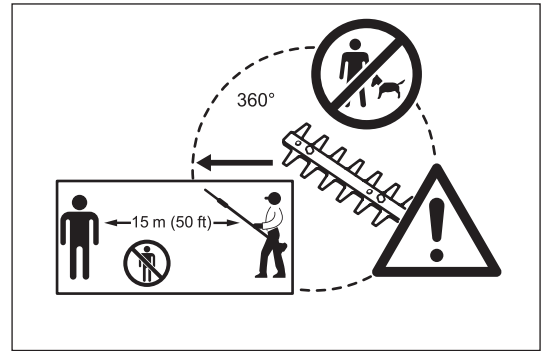
- Trochu uvoľnite uzáver nádrže a uvoľnite tlak v nádrži.
- Uzáver palivovej nádrže demontujte a vykonajte plnenie paliva tak, že palivovú nádrž nakloníte, aby otvor na plnenie paliva smeroval nahor, pričom bude dochádzať k unikaniu vzduchu. (Palivo NEPLŇTE až po horný okraj nádrže.)
- Okolie uzáveru palivovej nádrže dôkladne utrite, aby ste zabránili vniknutiu cudzorodých častíc do palivovej nádrže.
- Po naplnení paliva dôkladne utiahnite uzáver palivovej nádrže.

- Ak uzáver palivovej nádrže vykazuje trhliny alebo poškodenie, vymeňte ho.
- Uzáver nádrže sa časom opotrebuje. Vymeňte ho raz za dva alebo tri roky.



## OPATRENIA PRED NAŠTARTOVANÍM MOTORA

- Vždy okolo pracoviska dodržiavajte bezpečnostnú zónu priemeru 15 metrov. Vždy zabráňte vstupu všetkých osôb (hlavne detí) a/alebo zvierat do tejto zóny.
- Pred používaním tyčových nožníc na živý plot skontrolujte, že zariadenie je v bezpečnom prevádzkovom stave. Skontrolujte, že sečné čepele nie sú poškodené a skontrolujte ľahké fungovanie páčky škrtiacej klapky. Skontrolujte, že sa sečné čepele neotáčajú, pokiaľ sú zaradené voľnobežné otáčky motora. Ak zariadenie nefunguje štandardným spôsobom, spojte sa s predajcom a nechajte zariadenie nastaviť. Skontrolujte, že rukoväti sú čisté a suché a vyskúšajte správnosť prepínača I-O. Motor naštartujte len podľa pokynov uvedených v tomto návode. Na štartovanie tyčových nožníc na živý plot nepoužívajte žiadne iné spôsoby.
- Motor tyčových nožníc na živý plot naštartujte len po prečítaní a úplnom pochopení pokynov. Nikdy sa nepokúšajte naštartovať tyčové nožnice na živý plot, ktoré neboli úplne zmontované. V opačnom prípade môže byť dôsledkom vážne zranenie.
- Pred naštartovaním motora vždy skontrolujte, že sečným čepeliam neprekážajú kamene, konáre alebo iné tvrdé predmety.
- Pracovisko skontrolujte, či sa na ňom nenachádzajú drôty, káble, sklo alebo iné cudzie predmety, ktoré by mohli sečné čepele zachytiť.
- Zasiahnutie elektrickým prúdom: Dávajte pozor na všetky elektrické vedenia v okolí. Pred začatím práce skontrolujte celé pracovisko, či sa na ňom nenachádzajú elektrické vedenia alebo elektrické oplotenia.



## BODY V RÁMCI PREVÁDZKY A ZASTAVENIE STROJA

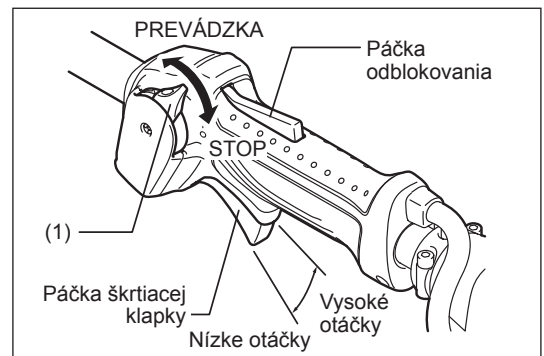
Dodržiavajte vzťahujúce sa nariadenia ohľadne predchádzania úrazov!

### SPUSTENIE

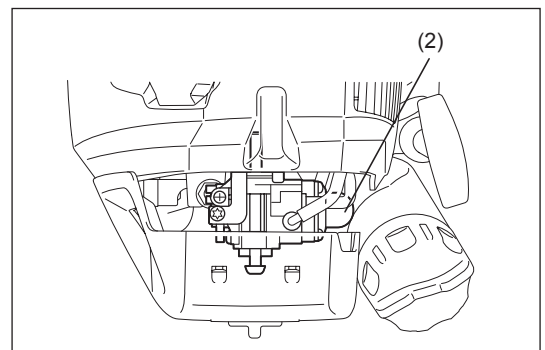
Premiestnite sa aspoň 3 m od miesta plnenia paliva. Tyčové nožnice na živý plot položte na čisté miesto na zemi a dávajte pozor, aby sa sečné čepele nedotýkali zeme ani iných predmetov.

#### A: Studený štart

- 1) Tento stroj položte na rovné miesto.
- 2) Prepínač I-O (1) nastavte do polohy PREVÁDZKA.



- 3) Vstrekovacie čerpadlo  
Priebežne stláčajte vstrekovacie čerpadlo (2), a to až dokiaľ sa palivo nedostane do vstrekovacieho čerpadla. (Vo všeobecnosti sa palivo dostane do vstrekovacieho čerpadla po 7 až 10 zatlačeniach.) Pokiaľ vstrekovacie čerpadlo budete stláčať nadmerne, nadmerný objem benzínu sa vráti naspäť do palivovej nádrže.



- 4) **Reakčný štartér**  
Potiahnite jemne štartovací gombík, dokiaľ je ťažké ho ťahať (bod kompresie). Následne gombík vráťte do pôvodnej polohy a silno potiahnite. Nikdy úplne nevytiahnite lanko. Po potiahnutí štartovacieho gombíka nikdy ruku okamžite neuvolňujte. Štartovací gombík pridržajte, dokiaľ sa nevráti do svojej pôvodnej polohy.

- 5) **Zahrievanie**  
Zahrievanie vykonávajte počas doby 2 až 3 minút.

**POZNÁMKA:** V prípade nadmerného prívodu paliva demontujte zapaľovaciu sviečku a pomalým potiahnutím rukoväti štartéra odstráňte nadbytočné palivo. Taktiež vysušte časť elektródy zapaľovacej sviečky.

#### **B: Naštartovanie po zahriatí**

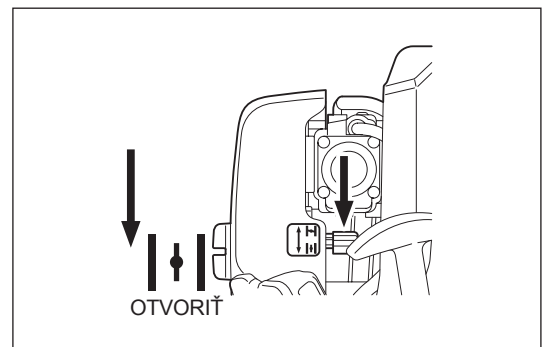
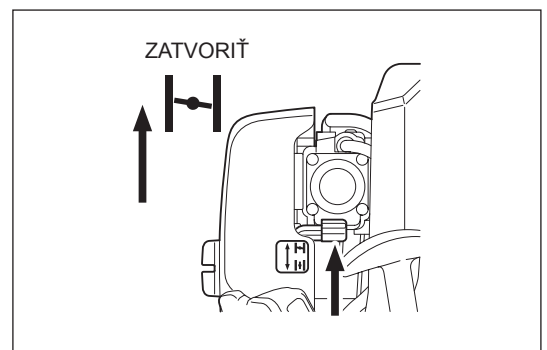
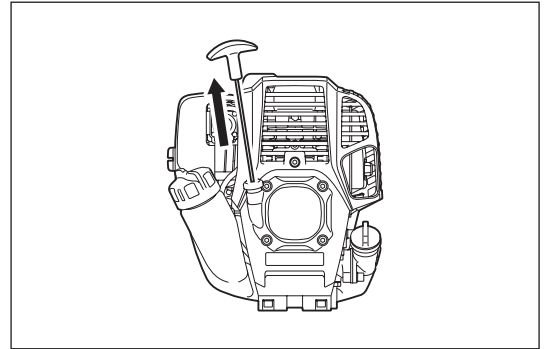
- 1) Opakovane jemne stláčajte vstrekovacie čerpadlo.
- 2) Páčku škrtiacej klapky ponechajte v polohe pre voľnobeh.
- 3) Silno potiahnite reakčný štartér.
- 4) Pokiaľ je ťažké naštartovať motor, otvorte škrtiacu klapku asi o 1/3. Dávajte pozor na sečné čepele, ktoré sa môžu otáčať.

#### **Počas obdobia, ako je zima, a štartovanie motora je ťažké, pri štartovaní motora podľa nasledovného postupu používajte páčku sýtiča.**

- Po vykonaní krokov naštartovania 1) až 3) nastavte páčku sýtiča do polohy **ZATVORIŤ**.
- Vykonajte krok naštartovania 4) a naštartujte motor.
- Po naštartovaní motora nastavte páčku sýtiča do polohy **OTVORIŤ**.
- Vykonajte krok naštartovania 5) a vykonajte zahrievanie.

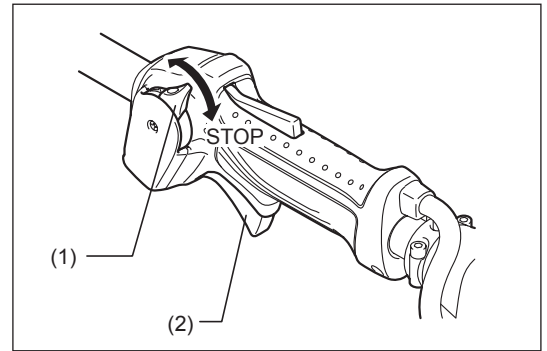
**UPOZORNENIE:** Ak začujete buchnutie (zvuk výbuchu) a motor sa zastaví, alebo ak sa práve naštartovaný motor zastaví pred použitím páčky sýtiča, vráťte páčku sýtiča do polohy **OTVORIŤ**, niekoľkokrát potiahnite gombík štartéra a motor naštartujte.

**UPOZORNENIE:** Pokiaľ páčku sýtiča ponecháte v polohe **ZATVORIŤ** a gombík štartéra opakovane úplne potiahnete, dôjde k nasatiu veľkého množstva paliva a motor sa bude dať ťažko naštartovať.



## ZASTAVENIE

- 1) Uvoľnite úplne páčku škrtiacej klapky (2) a po znížení hodnoty otáčok motora prepnete prepínač I-O (1) do polohy STOP; motor sa teraz zastaví.
- 2) Dávajte pozor, pretože sa sečná hlava nemusí zastaviť okamžite a preto vyčkajte až do jej úplného zastavenia.

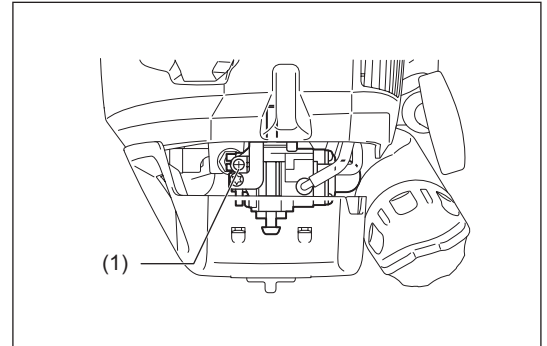


## NASTAVENIE OTÁČANIA PRI NÍZKYCH OTÁČKACH (VOLNOBEH)

V prípade potreby nastaviť otáčanie pri nízkych otáčkach (voľnobeh), toto nastavenie vykonajte nastavovacou skrutkou karburátora (1).

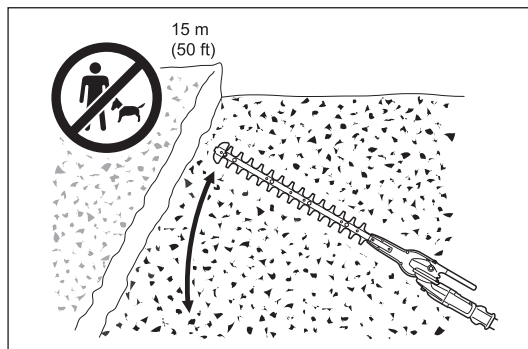
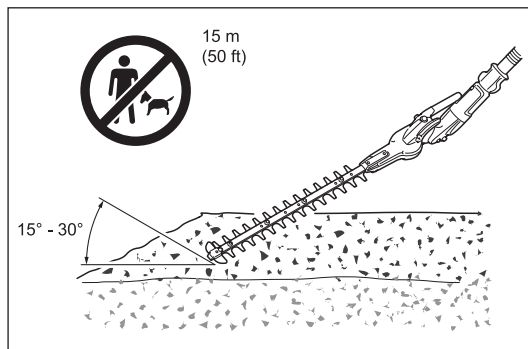
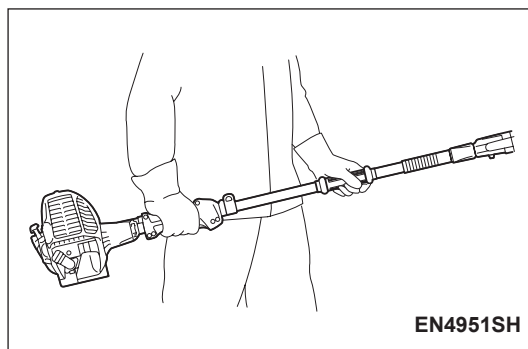
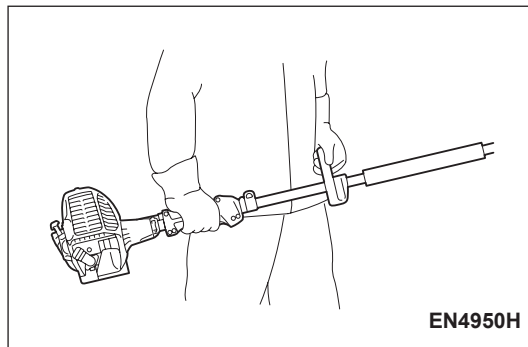
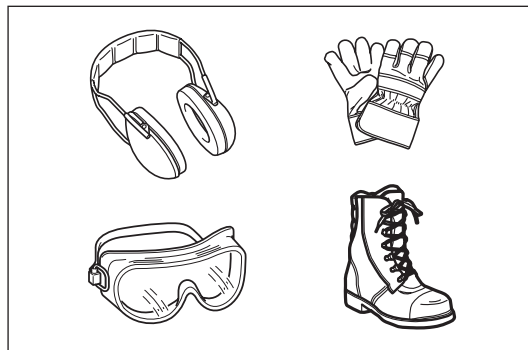
## KONTROLA OTÁČANIA PRI NÍZKYCH OTÁČKACH

- Nastavte otáčanie pri nízkych otáčkach na hodnotu 3000 ot./min. (/min). Ak je potrebné zmeniť rýchlosť otáčania, pomocou krížového skrutkovača otáčajte nastavovacou skrutkou (1).
- Pri otáčaní nastavovacej skrutky doprava sa budú otáčky motora zvyšovať. Pri otáčaní nastavovacej skrutky doľava sa budú otáčky motora znižovať.
- Karburátor je vo všeobecnosti nastavený pred expedovaním. Ak je potrebné vykonať nastavenie, spojte sa s autorizovaným servisným strediskom.



## POUŽÍVANIE TYČOVÝCH NOŽNÍC NA ŽIVÝ PLOT

- Počas prevádzky alebo chodu motora sa nedotýkajte časti sečnej čepele na tyčových nožniciach na živý plot.
- Veľký pozor dávajte, aby ste pri práci s tyčovými nožnicami na živý plot nevdychovali výfukové plyny. Tyčové nožnice na živý plot nikdy neprevádzkujte v uzavretej miestnosti alebo na mieste bez dostatočnej ventilácie (riziko zadusení a otravy plynmi). Uvedomte si, že oxid uhoľnatý je plyn bez zápachu, ktorý nemožno čuchom zistiť.
- Pred začatím práce s tyčovými nožnicami na živý plot si vždy oblečte vhodný ochranný odev.
- Ak tlmič výfuku nefunguje správne, motor okamžite zastavte.
- Tyčové nožnice na živý plot používajte len v rámci dobrých svetelných podmienok a pri dobrej viditeľnosti.
- Tyčové nožnice na živý plot nepoužívajte počas tmy ani pri výskyte hmly.
- Počas chladného obdobia dávajte pozor na klzké a mokré miesta (ľad a sneh; nebezpečenstvo pošmyknutia) a vždy zaujmite bezpečný postoj.
- Tyčové nožnice na živý plot nikdy nepoužívajte stojac na nestabilnom povrchu alebo strmom svahu.
- Tyčové nožnice na živý plot nikdy nepoužívajte stojac na rebríku.
- Nikdy nelezte na strom, aby ste mohli používať tyčové nožnice na živý plot zo stromu.
- Pracovisko neustále kontrolujte, či sa na ňom nenachádzajú drôty, káble, sklo alebo iné cudzie predmety, ktoré by mohli sečné čepele zachytiť.
- Pred začatím strihania overte, že sečné čepele dosahujú maximálne otáčky.
- Tyčové nožnice na živý plot vždy uchopte oboma rukami a pri práci so zariadením vždy zachovávajúte pevné držanie.
- Na zabezpečenie optimálnej kontroly nad tyčovými nožnicami na živý plot vždy úplne oviňte ruky okolo rúkoviek (na protitlak použite palec) a rúkoviek držte pevne.
- Uvedomte si, že sečné čepele sa po uvoľnení páčky škrtiacej klapky budú ešte až dve sekundy otáčať.
- S tyčovými nožnicami na živý plot nestrihajte pri nízkych otáčkach motora.
- Otáčky sečných čepelí nemožno pomocou páčky škrtiacej klapky nastaviť správne, ak motor beží pri nízkych otáčkach.
- Pri strihaní horného povrchu živého plotu najprv zarovnajete sečné čepele do uhla 15° až 30° v smere strihania a tyčové nožnice na živý plot držte v horizontálnej polohe. Potom začinite strihanie živého plotu pomocou pohybu mávania podobnému vytváraniu kruhových segmentov tyčou nožníc na živý plot.
- Na strihanie bokov živého plotu zarovnajete čepele rovnobežne so strihaným povrchom a začinite strihanie polkruhovými zvislými pohybmi (zdola nahor).
- Veľký pozor dávajte počas strihania živých plotov v blízkosti alebo pri drôtených plotoch.
- Sečnými čepeľami sa nedotýkajte tvrdých predmetov, ako je drôtený plot, kamene alebo zem. Mohlo by dôjsť k prasknutiu, naštiepeniu alebo rozbitiu čepelí.
- Tyčové nožnice na živý plot nepoužívajte počas dlhej časovej doby. Vo všeobecnosti si po každých 50 minútach prevádzky urobte 10 až 20 minútovú prestávku.
- Ak sečné čepele prídu do kontaktu s kameňmi alebo inými tvrdými predmetmi, okamžite zastavte motor a skontrolujte čepele z pohľadu poškodenia. V prípade poškodenia čepele vymeňte.
- Ak sa v prípade tyčových nožníc na živý plot počas prevádzky vyskytne problém (nezvyčajné zvuky, vibrácie a pod.), okamžite zastavte motor. Stroj až do zistenia a odstránenia problému nepoužívajte.
- Počas používania tyčových nožníc na živý plot sa maximálne snažte udržiavať hodnoty znečistenia a emisií na najnižších možných hodnotách. Zvláštnu pozornosť venujte správne nastaveniu karburátora.
- Ak sa medzi sečné čepele zaseknú hrubé konáre, okamžite zastavte motor, položte zariadenie na zem a prekážku odstráňte. Pred opätovným použitím zariadenia skontrolujte, či nedošlo k poškodeniu čepelí.





## Nastavenie uhla strihania

### Výstraha:

- Nástroje nepoužívajte, ak je sečná jednotka uvoľnená alebo nestabilná.

Uhol strihania môžete nastaviť v rozsahu 45° nahor a 90° nadol.

1. Motor tyčových nožníc na živý plot zastavte a zariadenie položte na zem.
2. Ak chcete nastaviť uhol sečnej jednotky, jednou rukou uchopíte rukoväť **(A)** sečnej jednotky a druhou rukou uchopíte poistku nastavenia uhla **(B)**, ako je to znázornené na obrázku.
3. Jemne potiahnite poistku nastavenia uhla a zmeňte uhol sečnej jednotky. Po nastavení uhla pomaly vráťte poistku nastavenia uhla naspäť.

### Poznámka:

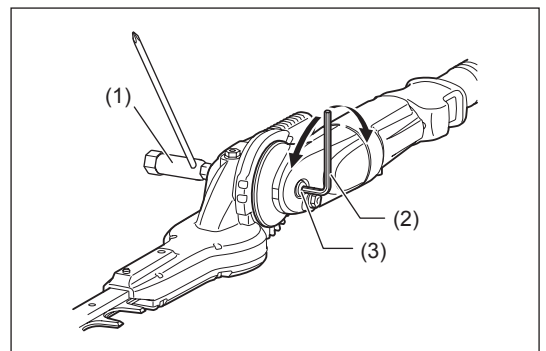
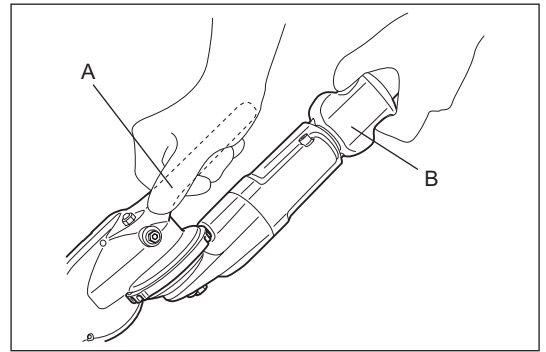
- Sečná jednotka je zaistená len v určitých uhloch pozdĺž drážky na jednotke. Skontrolujte, že sečná jednotka je usadená správne. Ak uhol nie je správny, spojka trhá a nástroj nefunguje.
- Sečnú jednotku neupravujte, kým sú tyčové nožnice na živý plot vo vzpriamenej polohe.
- Posuňte prepínač I-O do polohy „O“, položte tyčové nožnice na živý plot naležato na zem a nastavte uhol strihania.
- Pred nastavením uhla strihania vždy zaistite čepele dodávaným krytom čepele.

V prípade uvoľnenia sečnej jednotky je potrebné utiahnuť svorník (oska nastavenia uhla).

1. Na svorník (3) nasadíte nástrčkový kľúč (1) a šesťhranný kľúč (2).
2. Otáčaním šesťhranného kľúča nastavíte utiahnutie sečnej jednotky a potom utiahnete svorník otáčaním nástrčkového kľúča.

### Poznámka:

- Sečnú jednotku neťahajte nadmerne. Uhol sečnej jednotky nemožno v prípade veľkého utiahnutia zmeniť.



## ÚDRŽBA

- Pred vykonávaním akejkoľvek údržby na tyčových nožniciach na živý plot (čistenie čepele a pod.) vždy zastavte motor a počkajte, kým motor nevychladne. Ako doplnujúce bezpečnostné opatrenie taktiež demontujte konektor zapalovacej sviečky.
- Ohnuté alebo zlomené sečné čepele sa nepokúšajte narovnávať ani zvärať. Poškodené čepele vždy vymeňte.
- Motor zastavujte v pravidelných intervaloch a skontrolujte možné poškodenie sečných čepelí (vykonajte skúšku rezonančným poklepaním, aby ste zistili ťažko viditeľné jemné praskliny). Vždy skontrolujte, že zuby čepelí sú ostré.
- Tyčové nožnice na živý plot pravidelne čistite. Počas čistenia taktiež skontrolujte dobré utiahnutie všetkých skrutiek, matic a svorníkov.
- Na zníženie rizika požiaru nikdy nevykonávajte servis ani neuskladňujte tyčové nožnice na živý plot v blízkosti otvorených plameňov.
- Pri manipulácii so sečnými čepelami vždy používajte hrubé ochranné rukavice.
- O výmenu sečných čepelí požiadajte svojho predajcu.
- Na čistenie nikdy nepoužívajte gazolín, benzín, riedidlo, alkohol ani nič podobné. Mohlo by to spôsobiť zmenu farby, deformácie alebo praskliny.

### Ostrenie čepele

Ak sa sečné čepele otupia a sečný výkon je malý, nechajte sečné čepele naostriť u autorizovaného servisného zástupcu.

### Nastavenie svetlosti čepelí

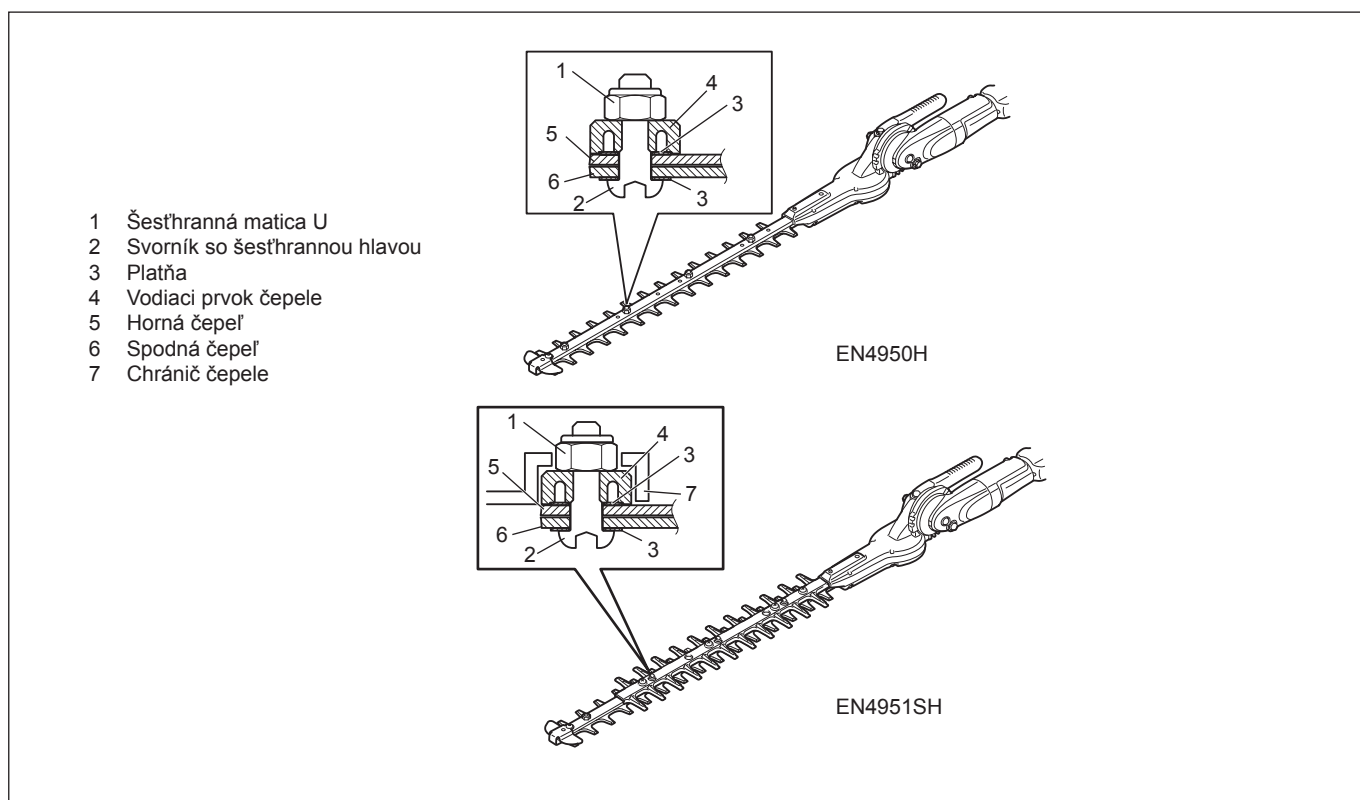
Počas prevádzky sa horné/spodné čepele postupne opotrebojú. Ak nedosahujete čistý rez aj napriek tomu, že sú čepele dostatočne ostré, podľa nasledujúceho postupu nastavte svetlosť čepelí.

Utiahnutie svorníka so šesťhrannou hlavou stanovuje svetlosť čepelí. Matica udržiava utiahnutie svorníka so šesťhrannou hlavou. Veľmi veľká svetlosť spôsobuje strihanie „na tupo“, ale veľmi malá svetlosť spôsobuje nežiaduce teplo a rýchlejšie opotrebovanie čepelí.

1. Pomocou nástrčkového alebo otvoreného kľúča uvoľnite maticu (1).
2. Utiahnite svorník so šesťhrannou hlavou (2) pomocou šesťhranného kľúča, kým sa nezastaví. A potom ho zaskrutkujte naspäť o štvrtinu až polovicu otočenia, aby ste dosiahli potrebnú svetlosť.
3. Utiahnite maticu (1), ktorá pridržiava svorník so šesťhrannou hlavou (2).
4. Na trecie plochy čepelí naneste ľahký olej.
5. Naštartujte motor a škrtiacu klapku počas jednej minúty otvárajte a zatvárajte.
6. Motor zastavte a dotknite sa povrchu. Ak nie sú na dotyk veľmi horúce, nastavenie je správne. Ak sú na dotyk veľmi horúce, otočte trochu naspäť svorník so šesťhrannou hlavou (2) a zopakujte kroky 5 až 6.

POZNÁMKA: Pred vykonaním nastavenia zastavte motor a počkajte, kým sa čepele nezastavia.

Čepele majú okolo svorníka so šesťhrannou hlavou (2) štrbinu. Pokiaľ nájdete akýkoľvek prach na konci štrbiny, vyčistite ju.

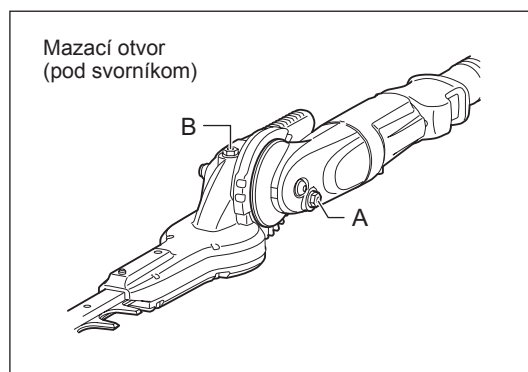


## Dopĺňanie maziva a lubrikantu

**Dôležit:** Pred mazanm skontrolujte, e povrch prevodovky je upne studeny.

- Prevodovku tyovych nonic na ivy plot je nutné maza po kadych 25 hodinach prevadzky. Mazac otvor sa nachdza pod svornikom. Na mazanie svornik demontujte. Do bodu A na prevodovke pridajte asi 3 g (4 cm<sup>3</sup>) lubrikantu a do bodu B, resp. cez mazac otvor pridajte asi 5 g (7 cm<sup>3</sup>) lubrikantu. Po namazan zaskrutkujte svornik. Po naplnen spravneho mnozstva maziva vyteie poas prvej prevadzky male mnozstvo maziva zo spodnej casti epele.

**UPOZORNENIE:** Dodrzivajte intervaly mazania a mnozstvo pridaneho maziva. Mechanicke casti tyovych nonic na ivy plot sa mou poskodi, ak mazivo nedodete v predpisanych intervaloch, alebo ak pridete nedostatone mnozstvo maziva.



## Kazodenn kontrola a udrba

Na zabezpeenie dlhej prevadzkovej ivotnosti tyovych nonic na ivy plot vykonvajte kazodenne nasledujuce kontroly a udrbu.

- Pred pouitm:
  - Pred zaatm pouivania skontrolujte chyby a uvonene sucasti. Zvlatnu pozornos venujte senej jednotke a skontrolujte, e poistne skrutky senych epel su dobre utiahnute.
  - Pres zaatm pouivania skontrolujte zanesenie otvorov toku chladiaceho vzduchu a chladiacich reber. V pripade potreby ich vyistite.
- Po pouitm:
  - Tyove nonice na ivy plot vyistite zvonka a skontrolujte ich poskodenie.
  - Vyistite vzduchovy filter. Vzduchovy filter istite niekoľkokrat denne, ak pracujete vo vemi prasnych podmienkach.
  - Skontrolujte poskodenie senych epel. Skontrolujte bezpene namontovanie epel.
  - Ak sa rezne epele po nastaven nadalej otaaju pri vonobeznych otakach, poradte sa s najbliim autorizovanym servisnym zastupcom.

## VÝMENA MOTOROVÉHO OLEJA

Znehodnotený motorový olej vo veľkej miere skracuje životnosť posuvných a rotačných častí. Kontrolujte pravidelnosť a množstvo vymeneného oleja.



**NEBEZPEČENSTVO:** Vo všeobecnosti zostanú motorový olej a hlavná jednotka motora ihneď po zastavení motora horúce. Počas výmeny oleja sa presvedčte, že hlavná jednotka motora a motorový olej sú dostatočne chladné. V opačnom prípade hrozí riziko obarenia. Po zastavení motora vyčkajte počas potrebnej doby, kým sa motorový olej vráti do olejovej nádrže, aby ste mohli hladinu oleja na indikátore presne odčítať.

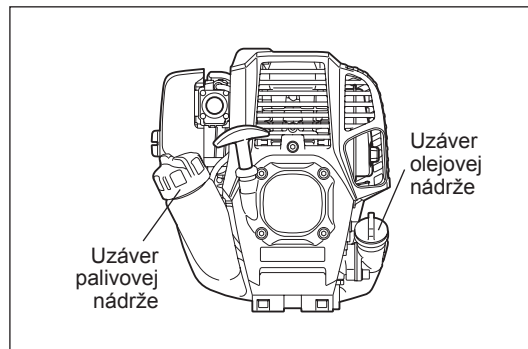
**POZNÁMKA:** Ak je olej naplnený nad medznú hodnotu, môže dôjsť k jeho znečisteniu alebo sa môže vznietiť pri vydávaní bieleho dymu.

**Interval výmeny:** Po prvých 20 prevádzkových hodinách a následne po každých 50 prevádzkových hodinách.

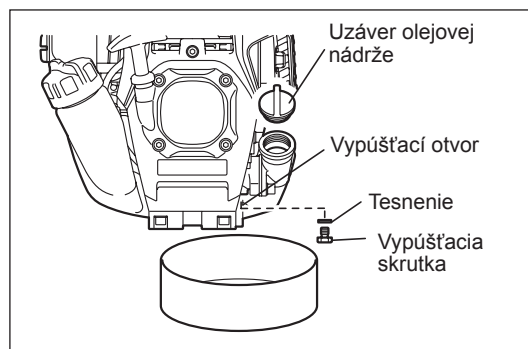
**Odporúčaný olej:** Olej SAE 10W-30 podľa klasifikácie API, trieda SF alebo vyššia (olej pre 4-taktné automobilové motory)

Počas výmeny vykonajte nasledujúci postup.

- 1) Presvedčte sa, že uzáver palivovej nádrže je pevne utiahnutý.
- 2) Pod vypúšťací otvor umiestnite veľkú nádobu (misku a pod.).

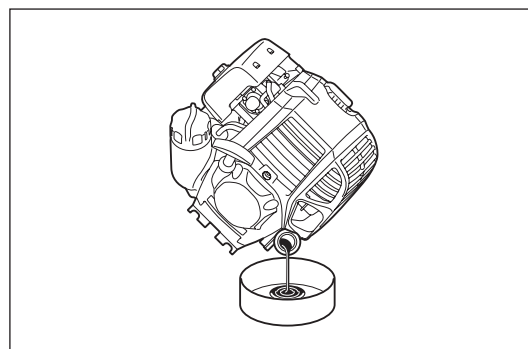


- 3) Demontujte vypúšťaciu skrutku a následne demontujte uzáver olejovej nádrže a cez vypúšťací otvor vypustíte olej. Teraz dávajte pozor, aby ste nestratili tesnenie vypúšťacej skrutky, ani aby ste neznečistili žiadny z demontovaných prvkov.
- 4) Po vypustení celého objemu oleja spojte tesnenie a vypúšťaciu skrutku a vypúšťaciu skrutku pevne utiahnite tak, aby nedošlo k jej uvoľneniu a vzniku únikov.  
\* Pomocou tkaniny úplne utrite všetok olej zo skrutky a zariadenia.

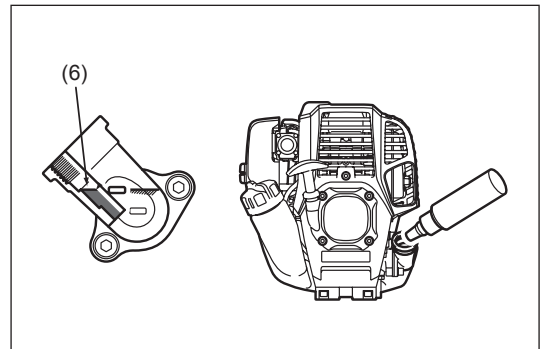
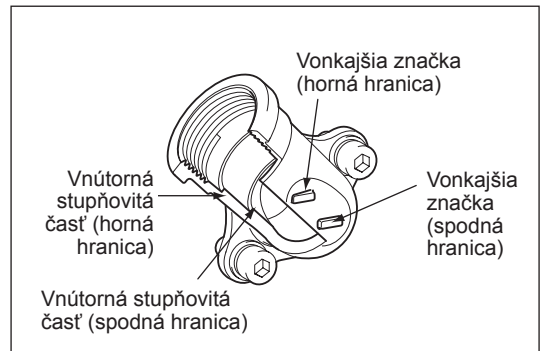


### Alternatívny spôsob vypúšťania

Demontujte uzáver olejovej nádrže, skloňte tyčové nožnice na živý plot smerom k otvoru na plnenie oleja a olej vypustíte. Olej zachyťte do nádrže.



- 5) Motor nastavte do vodorovnej polohy a novým olejom postupne doplňte po značku hornej hranice (6).
- 6) Po doplnení pevne utiahnite uzáver olejovej nádrže, aby sa neuvolnil a nedochádzalo k unikaniu. Pokiaľ nebude uzáver olejovej nádrže dôkladne zaistený, môže dochádzať k unikaniu.



#### BODY OHLIADNE OLEJA

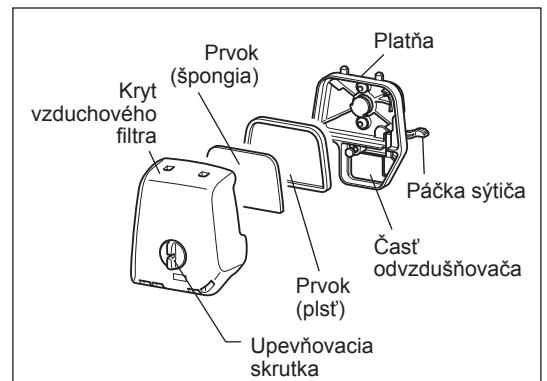
- Starý olej nikdy nezneškodňujte vyliatím do odpadu, pôdy alebo kanalizácie. Zneškodňovanie oleja upravuje zákon. V rámci zneškodňovania vždy dodržiavajte patričné zákony a nariadenia. Pokiaľ sú vám niektoré body nejasné, spojte sa s autorizovaným servisným zástupcom.
- Olej sa znehodnotí aj v prípade, ak ho ponecháte bez spotrebovania. Kontrolu a výmenu vykonávajte v pravidelných intervaloch (výmenu za nový olej vykonajte každých 6 mesiacov).

#### Čistenie vzduchového filtra

##### NEBEZPEČENSTVO: Prítomnosť horľavín je prísne zakázaná

Vzduchový filter čistite každý deň, alebo po uplynutí každých 10 prevádzkových hodín.

- Otočte páčku sýtiča úplne na stranu zatvorenia a zabráňte prístupu prachu a špiny do karburátora.
- Uvoľnite upevňovaciu skrutku.
- Demontujte kryt vzduchového filtra jeho potiahnutím za spodnú časť.
- Vyberte prvky a poklepaním odstráňte špinu.
- Ak sú prvky veľmi znečistené:  
Vyberte prvky, ponorte ich do teplej vody alebo do vody s pridaním neutrálneho čistiacieho prostriedku a nechajte úplne vyschnúť. Počas čistenia ich nežmýkajte ani nedrhňte.
- Pred osadením prvkov ich nechajte úplne vyschnúť. Nedostatočné vyschnutie prvkov môže viesť k ťažkému naštartovaniu.
- Olej usadený na kryte vzduchového filtra a časť odvzdušňovača utrite handrou, ktorú zneškodníte do odpadu.
- Osadte prvok (špongia) do prvku (plst').  
Osadte prvky do platne tak, aby špongia smerovala ku krytu vzduchového filtra.
- Okamžite nasadte kryt filtra a utiahnite hu upevňovacími skrutkami. (Pri spätnom osadení najprv nasadte hornú čelusť a následne dolnú čelusť.)



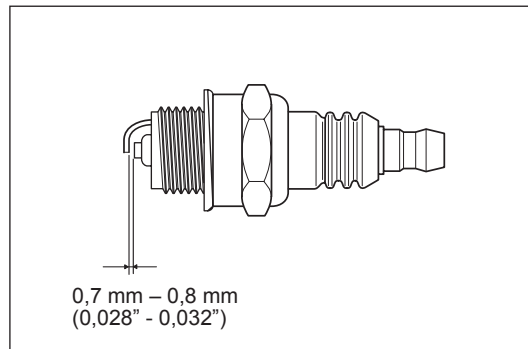
#### VAROVANIE:

- Prvky v prípade, ak sa na ne zachytí nadmerné množstvo prachu čistite niekoľkokrát za deň. Zanesené prvky znižujú výkon motora a sťažujú naštartovanie motora.
- Odstráňte z prvkov olej. Pokiaľ budete pokračovať v činnosti s prvkami neočistenými od oleja, olej vo vnútri vzduchového filtra sa môže dostať von s následkom znečistenia prostredia.
- Prvky neukladajte na zem ani na znečistené miesto. V opačnom prípade sa na ne zachytí špina alebo úlomky a môže dôjsť k poškodeniu motora.
- Na čistenie prvkov nikdy nepoužívajte palivo. Palivo ich môže poškodiť.

### KONTROLA ZAPAĽOVACEJ SVIEČKY

- Na demontáž a inštaláciu zapaľovacej sviečky používajte len dodávaný univerzálny kľúč.
- Iskrište – štrbina medzi elektródami zapaľovacej sviečky by mala byť 0,7 – 0,8 mm (0,028" – 0,032"). Ak je štrbina veľmi široká alebo veľmi úzka, nastavte ju. Pokiaľ je zapaľovacia sviečka zanesená alebo zašpinená, dôkladne ju vyčistite alebo ju vymeňte.

**UPOZORNENIE:** Pokiaľ motor beží, nikdy sa nedotýkajte konektora zapaľovacej sviečky (riziko zasiahnutia vysokonapäťovým elektrickým prúdom).



### Čistenie palivového filtra (nasávacía hlava v palivovej nádrži)

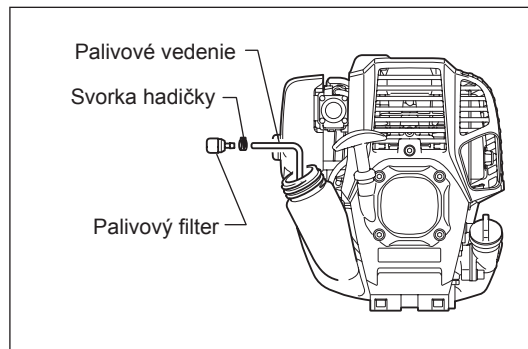
#### VÝSTRAHA: PRÍTOMNOSŤ HORĽAVÍN JE PRÍSNE ZAKÁZANÁ

Palivový filter čistite každý mesiac, alebo po uplynutí každých 50 prevádzkových hodín.

Palivový filter pravidelne kontrolujte. Kontrolu palivového filtra vykonajte podľa dolu uvedených krokov.

- (1) Demontujte uzáver palivovej nádrže, vypusťte palivo a nádrž vyprázdňte. Skontrolujte, či sa vnútri nádrže nenachádzajú cudzie materiály. Ak áno, vyberte ich.
- (2) Nasávaciu hlavu vytiahnite pomocou drôteného háka vytiahnutím cez otvor nádrže.
- (3) Ak je palivový filter mierne zanesený, vyčistite ho. Vyčistite ho jemným potrasením a vyklepaním v palive. Aby ste zabránili poškodeniu, filter nežmýkajte ani nedrhňte. Palivo použité na čistenie je nutné zneškodniť spôsobom podľa nariadení platných vo vašej krajine. Ak palivový filter stvrдне alebo bude značne zanesený, vymeňte ho.
- (4) Po kontrole, vyčistení alebo výmene zatlačte palivový filter na doraz do spodnej časti palivovej nádrže.

Zanesený alebo poškodený palivový filter môže spôsobovať nedostatočný prívod paliva a znižovať výkon motora. Vymeňte palivový filter aspoň raz za štvrtrok, aby ste zabezpečili uspokojivý prívod paliva do karburátora.



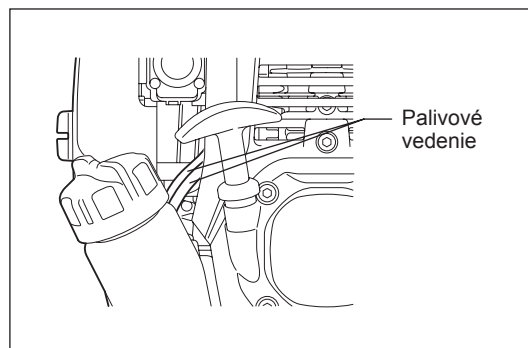
### Výmena palivového vedenia

#### UPOZORNENIE: Prítomnosť horľavín je prísne zakázaná

Palivové vedenie čistite každý deň alebo po uplynutí každých 10 prevádzkových hodín.

Palivové vedenie vymeňte po uplynutí každých 200 prevádzkových hodín alebo raz za rok, v závislosti na frekvencii používania. V opačnom prípade môže unikanie paliva spôsobiť požiar.

Ak počas kontroly zistíte unikanie paliva, okamžite vymeňte palivové vedenie.



### KONTROLA SVORNÍKOV, MATÍC A SKRUTIEK

- Utiahnite uvoľnené svorníky, matice atď.
- Skontrolujte, či nedochádza k unikaniu paliva a oleja.
- Kvôli bezpečnej prevádzke vymeňte poškodené súčasti.

### ČISTENIE SÚČASTÍ

- Motor udržiavajte v čistote utretím handrou.
- Chladiace rebrá valca udržiavajte pozbavené prachu a nečistôt. Prach alebo špina zachytené na rebrách spôsobujú zaseknutie piesta.

### VÝMENA TESNENÍ A UPCHÁVOK

Tesnenia a upchávkavy vymieňajte, keď je motor demontovaný.

O údržbu alebo nastavenie, ktoré nie sú v tomto návode popísané, požiadajte miestne autorizované servisné stredisko spoločnosti MAKITA.

## USKLADNENIE

**VÝSTRAHA:** Pri vypúšťaní paliva zastavte motor a počkajte, kým motor nevychladne.

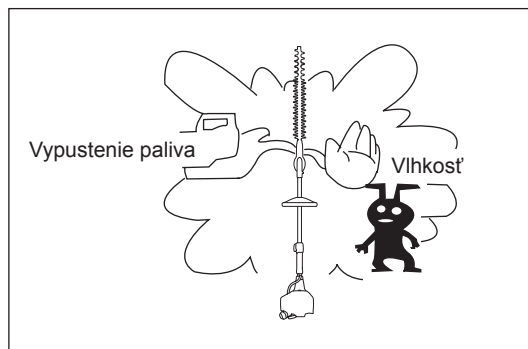
Opomenutie môže mať za následok vznik popálenín alebo požiaru.

**POZOR:** Pokiaľ stroj dlhodobo skladujete, vypustíte celý objem paliva z palivovej nádrže a karburátora a stroj uskladníte na suchom a čistom mieste.

- Palivo z palivovej nádrže a z karburátora vypustíte podľa nasledujúceho postupu:

- 1) Snímate uzáver palivovej nádrže a celý objem paliva vypustíte.  
Pokiaľ sa v palivovej nádrži nachádza cudzí materiál, vyberte ho.
- 2) Pomocou drôtu vytiahnite z otvoru na plnenie palivový filter.
- 3) Vstrekovacie čerpadlo stláčajte, dokiaľ z neho nevypustíte celý objem paliva a palivo prichádzajúce do palivovej nádrže vypustíte.
- 4) Do palivovej nádrže vložte filter a utiahnite uzáver palivovej nádrže.
- 5) Následne motor nechajte bežať, dokiaľ nezastane.

- Demontujte zapalovaciu sviečku a do otvoru zapalovacej sviečky nakvapkajte niekoľko kvapiek motorového oleja.
- Jemne potiahnite rukoväť štartéra a to tak, aby sa olej rozšíril po motore; následne namontujte zapalovaciu sviečku.
- Na sečné čepele nasadte kryt.
- Vo všeobecnosti strojné zariadenie skladujte v horizontálnej polohe. Ak to nie je možné, strojné zariadenie umiestnite tak, aby jednotka motora bola pod sečným náradím. V opačnom prípade môže zvnútra unikať motorový olej.
- Vždy venujte pozornosť uskladneniu strojného zariadenia na bezpečnom mieste, aby ste zabránili poškodeniu a osobným poraneniam.
- Vypustené palivo skladujte v špeciálnej nádobe na dobre vetranom, zatienenom mieste.



**Pozornosť, ktorú treba venovať po dlhodobom uskladení**

- Pred naštartovaním po dlhodobom vypnutí vymeňte olej (pozrite si stranu 164). Počas doby, kedy je stroj mimo prevádzky, dôjde k znehodnoteniu oleja.

Prevádzková doba		Pred prevádzkou	Každodenne (10 h)	25 h	50 h	200 h	Vypnutie/odpočinok	Zodpovedajúca strana
Motorový olej	Skontrolujte	○						155
	Vymeňte				○ <sup>*1</sup>			164
Utiahnutie súčastí (skrutky, matice)	Skontrolujte	○						166
Palivová nádrž	Vyčist'ite/skontrolujte	○						-
	Vypustenie paliva						○ <sup>*3</sup>	167
Páčka škrtiacej klapky	Skontrolujte fungovanie	○						157
Vypínač Stop	Skontrolujte fungovanie	○						157, 159
Sečné čepele	Skontrolujte	○	○					157, 162
Otáčanie pri nízkych otáčkach	Skontrolujte/nastavte		○					159
Vzduchový filter	Vyčist'ite		○					165
Zapaľovacia sviečka	Skontrolujte		○					166
Vedenie chladiaceho vzduchu	Vyčist'ite/skontrolujte		○					166
Palivové vedenie	Skontrolujte		○					166
	Vymeňte					⊙ <sup>*2</sup>		-
Mazivo prevodovky	Doplňte			○				163
Palivový filter	Vyčist'ite/vymeňte				○			166
Svetlosť medzi ventilom pre nasávanie vzduchu a ventilom pre vypúšťanie vzduchu	Nastavte					⊙ <sup>*2</sup>		-
Generálna oprava motora						⊙ <sup>*2</sup>		-
Karburátor	Vypust'ite palivo						○ <sup>*3</sup>	167

\*1 Počiatočnú výmenu vykonajte po 20 hodinách prevádzky.

\*2 O kontrolu po ubehnutí 200 prevádzkových hodín požiadajte autorizovaného servisného zástupcu alebo predajňu.

\*3 Po vyprázdnení palivovej nádrže nechajte motor bežať a vypustite palivo z karburátora.



## RIEŠENIE PROBLÉMOV

Pred požiadanim o vykonanie opravy skontrolujte chybu sami. Pokiaľ zistíte nie bežné fungovanie, strojné zariadenie skontrolujte podľa popisu v tomto návode. Nikdy neupravujte ani nedemontujte žiadnu časť iným než predpísaným spôsobom. O opravu požiadajte autorizovaného servisného zástupcu alebo miestneho predajcu.

Chybný stav	Možná príčina (chyba)	Náprava
Motor nenašartuje	Chyba činnosti vstrekovacieho čerpadla	Stlačte 7 až 10 krát
	Nízka rýchlosť ťahu lanka štartéra	Potiahnite silno
	Nedostatočný objem paliva	Doplňte palivo
	Zanesený palivový filter	Vyčist'ite
	Zlomená palivová rúrka	Narovnaj'ite palivovú rúrku
	Znehodnoten'é palivo	Znehodnoten'é palivo zhoršuje naštartovanie vo veľkej miere. Vymeňte za nové. (Odporúčaná výmena: 1 mesiac)
	Nadmerné nasávanie paliva	Nastavte páčku škrtiacej klapky zo stredných otáčok na vysoké otáčky a potiahnite rukoväť štartéra, dokiaľ motor nenašartuje. <b>Po naštartovaní motora sa začnú otáčať sečné čepele. Dávajte na sečné čepele maximálny pozor.</b> Pokiaľ aj napriek tomu motor nenašartuje, vymeňte zapaľovaciú sviečku, vysušte elektródu a poskladajte do pôvodného stavu. Následne naštartujte uvedeným spôsobom.
	Odpojený konektor zapaľovacej sviečky	Bezpečne nasad'te
	Znečistená zapaľovacia sviečka	Vyčist'ite
	Neštandardné iskrište zapaľovacej sviečky	Iskrište nastavte
	Iný, nie bežný stav zapaľovacej sviečky	Vymeňte
	Nie bežné fungovanie karburátora	Požiadajte o vykonanie kontroly a údržby.
	Lanko štartéra nemožno potiahnuť	Požiadajte o vykonanie kontroly a údržby.
	Nie bežné fungovanie hnacieho systému	Požiadajte o vykonanie kontroly a údržby.
Motor sa skoro zastaví Otáčky motora sa nezvyšujú	Nedostatočné zahrievanie	Vykonajte zahriatie
	Páčka sýtiča je v polohe „H“, hoci je motor zahrievaný.	Nastavte na „II“
	Zanesený palivový filter	Vyčist'ite alebo vymeňte
	Zanesený alebo znečistený vzduchový filter	Vyčist'ite
	Nie bežné fungovanie karburátora	Požiadajte o vykonanie kontroly a údržby.
	Nie bežné fungovanie hnacieho systému	Požiadajte o vykonanie kontroly a údržby.
Sečná čepeľ sa nepohybuje ↓ Motor okamžite zastavte	Nesprávny uhol sečnej jednotky	Skontrolujte, že poistka nastavenia uhla sa zaradí správne.
	Uvoľnená upínacia matica sečných čepelí	Dôkladne utiahnite
	Konáre zachytené sečnými čepeľami.	Odstráňte cudzí predmet
Hlavná jednotka vibruje nie bežným spôsobom ↓ Motor okamžite zastavte	Nie bežné fungovanie hnacieho systému	Požiadajte o vykonanie kontroly a údržby.
	Zlomené, ohnuté alebo opotrebované sečné čepele	Vymeňte sečné čepele
	Uvoľnená upínacia matica sečných čepelí	Dôkladne utiahnite
Sečné čepele sa okamžite nezastavia ↓ Motor okamžite zastavte	Nie bežné fungovanie hnacieho systému	Požiadajte o vykonanie kontroly a údržby.
	Vysoké voľnobežné otáčky	Nastavte
	Odpojený drôt škrtiacej klapky	Bezpečne nasad'te
Motor sa nezastaví ↓ Spus't'te motor na voľnobehu a nastavte páčku sýtiča do polohy „H“	Nie bežné fungovanie hnacieho systému	Požiadajte o vykonanie kontroly a údržby.
	Odpojený konektor	Bezpečne nasad'te
	Nie bežné fungovanie elektrického systému	Požiadajte o vykonanie kontroly a údržby.

Ak motor po zahrievaní nenašartuje:

Ak nedochádza k žiadnemu nie bežnému stavu uvedenému v položkách kontroly, otvorte škrtiacu klapku o asi 1/3 a motor naštartujte.

Děkujeme vám za výběr tyčových nůžek MAKITA na živé ploty. S potěšením vám nabízíme produkt, jenž je výsledkem rozsáhlého vývojového programu a dlouholetých znalostí i zkušeností. K bezpečnému dosažení nejlepších možných výsledků při práci s tyčovými nůžkami MAKITA na živé ploty si před používáním zařízení pečlivě přečtěte tuto příručku a dodržujte veškeré zde uvedené pokyny nutné k zajištění správné obsluhy tyčových nůžek MAKITA na živé ploty.



**Obsah**

**Strana**

Symbole.....	170
Bezpečnostní pokyny .....	171
Technická data.....	176
Popis dílů.....	177
Kompletace.....	178
Ramenní popruh (volitelné příslušenství).....	178
Palivo/doplňování paliva.....	179
Bezpečnostní upozornění před startováním motoru.....	181
Práce s tyčovými nůžkami na živé ploty .....	184
Údržba .....	186
Skladování.....	191
Odstraňování problémů .....	193

**SYMBOLY**

Při čtení návodu k obsluze narazíte na následující symboly.

	VAROVÁNÍ/NEBEZPEČÍ		Pozor na přiskřípnutí
	Před používáním si pečlivě přečtěte pokyny v této příručce a ujistěte se, zda jste porozuměli jejich obsahu		Dávejte pozor na elektrické vedení – nebezpečí úrazu el. proudem
	ZAKÁZÁNO		Palivo (benzín)
	Zákaz kouření		Ruční startování motoru
	Nepřibližujte se k otevřenému ohni		Nouzové zastavení
	Noste ochrannou obuv		První pomoc
	Noste ochranné rukavice		ZAP./START
	Zamezte vstupu na pracoviště všem osobám a domácím zvířatům		VYP./STOP
	Používejte ochrannou přilbu a ochranu zraku a sluchu		

## BEZPEČNOSTNÍ POKYNY

### Obecné pokyny

- Před používáním zařízení si pečlivě přečtěte tuto příručku a seznamte se se správnou obsluhou tyčových nůžek na živé ploty. **TOTO ZAŘÍZENÍ MŮŽE PŘI NESPRÁVNÉM POUŽÍVÁNÍ ZPŮSOBIT VÁŽNÉ ZRANĚNÍ!**
- Při zapůjčení tyčových nůžek na živé ploty jiné osobě poskytněte spolu se zařízením vždy i podrobné pokyny ke správnému používání. Zajistěte, aby byl k tyčovým nůžkám na živé ploty předán i návod k obsluze.
- Začínající uživatelé by se měli obrátit na prodejce s žádostí o základní pokyny k obsluze tyčových nůžek na živé ploty.
- Tuto příručku uchovávejte na snadno dostupném místě pro rychlou konzultaci.
- Tyčové nůžky na živé ploty nedovolte obsluhovat osobám mladším 18 let. Jednotlivci starší 16 let však mohou tyčové nůžky na živé ploty používat za účelem získání praxe, avšak pouze pod trvalým dohledem dospělé osoby obeznámené s obsluhou tyčových nůžek na živé ploty.
- Tyčové nůžky na živé ploty používejte vždy s maximální opatrností a pozorností.
- Zařízení se nikdy nepokoušejte upravovat.
- Při práci dodržujte směrnice k obsluze tyčových nůžek na živé ploty platné ve vaší zemi.
- Při práci s tyčovými nůžkami na živé ploty může za následujících okolností dojít k vážnému zranění. S tyčovými nůžkami na živé ploty nepracujte:
  - pokud se cítíte unavení či nemocní,
  - po požití alkoholu či léků,
  - v noci a při nedostatečném osvětlení,
  - v těhotenství.

### Účel použití

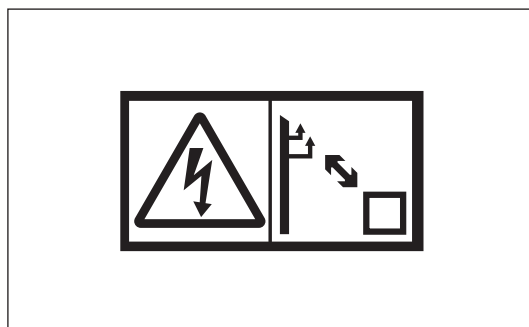
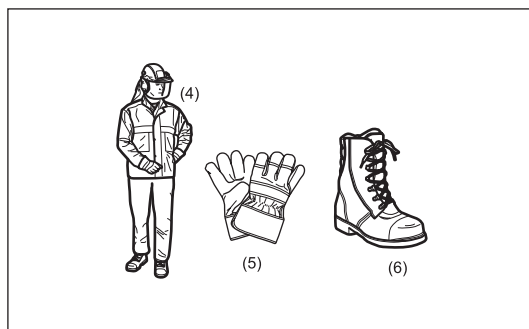
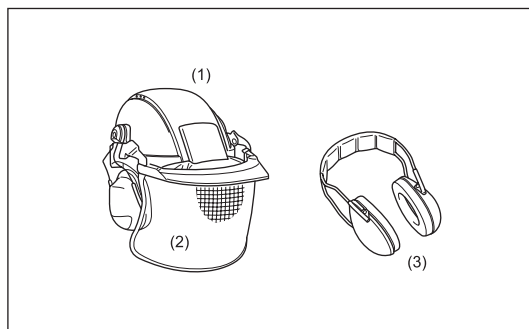
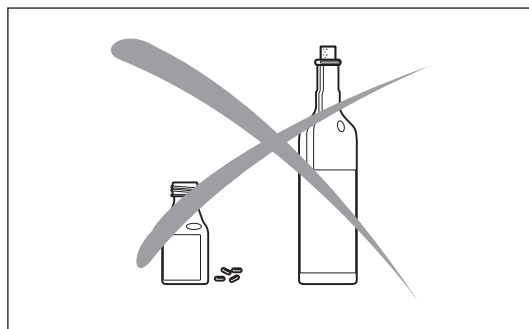
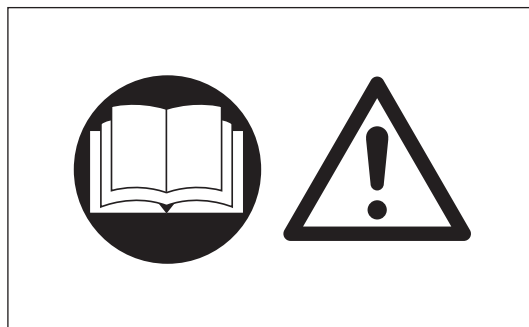
- Tyto tyčové nůžky na živé ploty byly navrženy výhradně k zastřihování živých plotů a keřů. Tyčové nůžky na živé ploty nepoužívejte k žádným jiným účelům.

### Osobní ochranné pomůcky

- Noste praktický a přiléhavý oděv neomezující v pohybu. Nenoste oblečení či šperky, jež by se mohly zamotat do porostu nebo do zařízení.
- K zajištění dostatečné ochrany proti zranění hlavy, očí, nohou či rukou a k zamezení poškození sluchu je při práci s tyčovými nůžkami na živé ploty nutné používat následující ochranné pomůcky a oděv.
- K zamezení zranění hlavy a očí noste vždy ochrannou přilbu (1) s brýlemi nebo se štítem (2).
- K zamezení poškození sluchu noste vždy vhodné chrániče (3).
- Důrazně doporučujeme pracovat v době padnoucí pracovní kombinéze (4).
- Při práci s tyčovými nůžkami na živé ploty vždy používejte odolné kožené pracovní rukavice (5).
- Při práci s tyčovými nůžkami na živé ploty vždy noste pevnou obuv (6) s protiskluzovou podrážkou. Speciální pracovní obuv vám zajistí správný postoj a ochranu před zraněním.
- Při manipulaci s noži či nožovou jednotkou používejte ochranné rukavice. Nechráněné ruce si můžete o nože vážně poranit.

### Bezpečnost na pracovišti

- **⚠ NEBEZPEČÍ:** S tyčovými nůžkami na živé ploty se nepřibližujte k elektrickému vedení a ke komunikačním kabelům. Kontakt či přiblížení tyčových nůžek na živé ploty k vysokonapětovému vedení může vést k smrti či vážnému zranění. Před zahájením práce obhlédněte na pracovišti elektrická vedení a elektrické ohradníky.
- Motor startujte a používejte pouze venku – v době větraných prostorách. Provoz ve stísněných či nedostatečně větraných prostorách může způsobit smrt udušením či otravu oxidem uhelnatým.
- S tyčovými nůžkami na živé ploty pracujte ve vzdálenosti alespoň 15 m od zvířat nebo přihlížejících osob. Zpozorujete-li, že se k vám někdo blíží, vypněte co nejdříve motor.
- Před zahájením práce prohlédněte pracoviště a uvědomte si výskyt drátěných plotů, kamenů či jiných pevných objektů. Mohly by poškodit nože.
- **⚠ VAROVÁNÍ:** Používáním zařízení můžete zvířít prach obsahující chemikálie, jež mohou způsobit dýchací či jiná onemocnění. Mezi takové chemikálie mohou patřit například sloučeniny nacházející se v pesticidech, insekticidech, hnojivech a herbicidech. Riziko spojené s expozicí se liší podle toho, jak často tento typ práce provádíte. Omezte kontakt s těmito chemikáliemi: Pracujte v době větraných prostorách a používejte schválené bezpečnostní vybavení, jako jsou například protiprachové masky určené speciálně k odfiltrování mikročastic.



## Startování tyčových nůžek na živé ploty

- Před sestavováním či seřizováním zařízení vypněte motor a odpojte konektor zapalovací svíčky.
- Před startováním tyčových nůžek na živé ploty se vždy ujistěte, zda je zařízení v bezpečném provozním stavu.
- Nikdy se nepokoušejte startovat motor, pokud je zařízení poškozené.
- Zkontrolujte bezpečnostní mechanismus páčky plynu. Odjišťovací páčka se musí snadno a plynule pohybovat. Ujistěte se, zda odjišťovací páčka správně pracuje. Zkontrolujte, zda jsou držadla čistá a suchá a vyzkoušejte správnou funkci přepínače STOP.

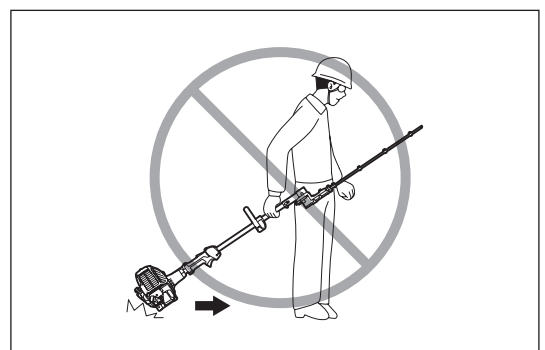
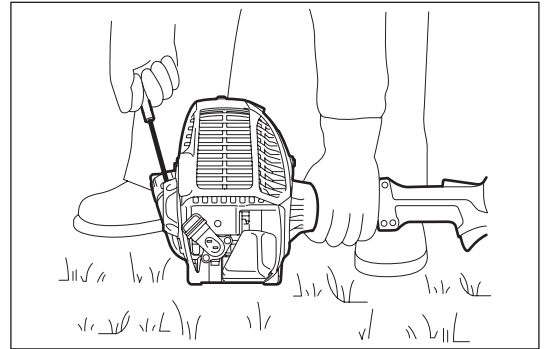
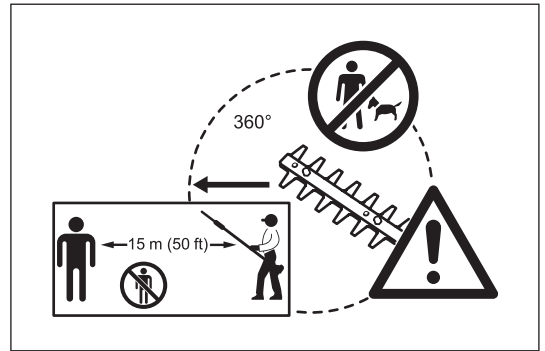
Tyčové nůžky na živé ploty vždy startujte v souladu s pokyny uvedenými v tomto návodu k obsluze.

## Při startování tyčových nůžek na živé ploty postupujte podle níže uvedených pokynů

- Tyčové nůžky na živé ploty startujte teprve po kompletním sestavení zařízení a po připojení veškerého příslušenství.
- Při startování motoru držte nože od těla a mimo kontakt s jinými předměty včetně terénu. Při startování se nože mohou rozběhnout a způsobit zranění nebo se mohou poškodit či poničit majetek.
- Před nastartováním motoru se ujistěte, zda nejsou nože zablokovány žádnými cizorodými předměty, například kameny, větvemi atd.
- Jestliže nastanou problémy s motorem, motor okamžitě vypněte.
- Při tahání za startovací madlo přidržujte zařízení levou rukou pevně u země. Nikdy nešlapejte na hřídelovou tyč.
- Jestliže se nože ve volnoběžných otáčkách pohybují, vypněte motor a snižte otáčky volnoběhu.
- Tyčové nůžky na živé ploty držte při práci vždy pevně za obě držadla. Obě držadla pevně obemkněte prsty a držadlo sevřete mezi palec a ukazovák. Při práci s tyčovými nůžkami na živé ploty neměňte způsob úchopu, abyste nad zařízením neztratili kontrolu. Ujistěte se, zda jsou ovládací držadla v dobrém stavu a zda nejsou mokrá či znečištěná blátem, olejem a mastnotou.

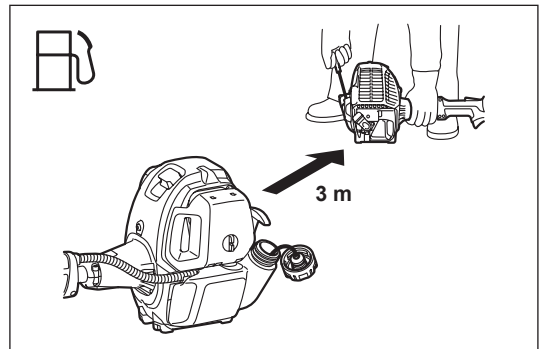
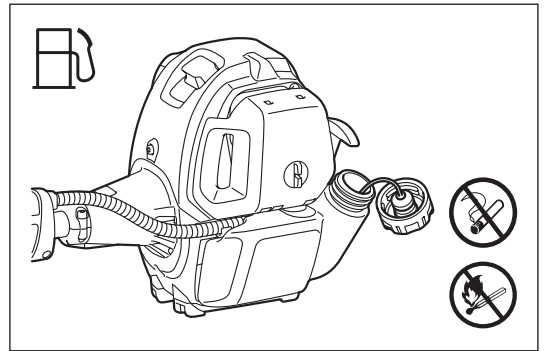
## Vždy si zajistěte bezpečný a rovnovážný postoj

- Pokud nastanou potíže s motorem nebo jestliže zařízení startuje s neobvyklými zvuky, ihned vypněte motor a přestaňte zařízení používat.
- Výfukové plyny jsou jedovaté. Se zařízením nikdy nepracujte v uzavřených místnostech ani v oblastech bez ventilace (nebezpečí udušení a otravy plynem). Pamatujte, že oxid uhelnatý je plyn bez zápachu. Při práci se spalovacím motorem se vždy ujistěte, zda jsou pracovní prostory řádně ventilovány.
- Při odpočinku nebo ponecháte-li tyčové nůžky na živé ploty bez dozoru, vypněte motor. Zařízení umístěte na bezpečné místo a ujistěte se, zda nejsou v jeho blízkosti žádné hořlavé materiály.
- Tyčové nůžky na živé ploty nikdy nepokládejte do suché trávy ani na hořlavé materiály.
- V rámci omezení nebezpečí vzniku požáru udržujte motor a tlumič v čistotě, bez odštěpků, listů a nadbytečného maziva.
- Se zařízením nikdy nepracujte, pokud je tlumič vadný.
- Před transportem zařízení vypněte motor.
- Motor vypněte vždy v těchto situacích:
  - při odpočinku,
  - při transportu zařízení,
  - při čištění zařízení,
  - při doplňování paliva,
  - při provádění údržby zařízení,
  - při odstraňování potíží se zařízením.
- Při přenášení uchopte zařízení za hřídelovou tyč a držte je ve vodorovné poloze. Nepřibližujte se k horkému tlumiči.
- Při transportu zařízení ve vozidle tyčové nůžky na živé ploty vždy řádně upevněte, aby nedošlo k úniku zbytků paliva.
- Před transportem tyčových nůžek na živé ploty ve vozidle vždy vyprázdněte palivovou nádrž.
- Při vykládání zařízení z vozidla buďte obzvláště opatrní, abyste tyčové nůžky na živé ploty neupustili na zem, neboť by mohlo dojít k vážnému poškození palivové nádrže.
- S výjimkou stavu nouze tyčové nůžky na živé ploty nikdy nepouštějte na zem – mohly by se vážně poškodit.
- Při transportu tyčové nůžky na živé ploty vždy zcela zvedněte ze země. Motor nikdy netahejte po zemi, neboť by mohlo dojít k poškození palivové nádrže a možnému vzniku požáru.
- Vždy používejte kryt nožů, jenž slouží k ochraně a zabezpečení stříhací části tyčových nůžek na živé ploty během transportu a skladování.
- Jestliže zařízení utrpí prudký náraz nebo pokud upadne, zkontrolujte před obnovením práce jeho stav. Překontrolujte, zda z palivového systému neuniká palivo a zda nedošlo k poruše ovládacích prvků a bezpečnostního zařízení. V případě zjištění poškození či v pochybnostech požádejte o prohlídku a opravu naše autorizované servisní středisko.



## Doplňování paliva

- Před doplňováním paliva vypněte motor.
- Nikdy nedoplňujte palivo v blízkosti otevřeného ohně.
- Při doplňování paliva nekuřte.
- Před doplňováním paliva nechte motor vždy dostatečně vychladnout.
- Dávejte pozor a zamezte kontaktu ropných výrobků s pokožkou. Nevdechujte výpary paliva a při doplňování paliva vždy používejte ochranné rukavice. Ochranný oděv si pravidelně vyměňujte a čistěte.
- Počítejte si opatrně, abyste rozlitím paliva či oleje nezpůsobili kontaminaci půdy (chráňte životní prostředí). Polijete-li tyčové nůžky na živé ploty palivem či olejem, otřete povrch zařízení okamžitě hadrem. K zamezení samovznícení nechte vlhké hadry před vhozením do vhodné nádoby s víkem dostatečně vyschnout.
- Dejte pozor, abyste si palivem nepotřísnili oděv. Oděv potřísněný palivem si neprodleně vyměňte (nebezpečí vznícení).
- Zavřete palivovou nádrž a pevně dotáhněte víčko palivové nádrže. Při opětovném startování motoru přeneste tyčové nůžky na živé ploty alespoň 3 metry od místa doplňování paliva.
- Pravidelně kontrolujte pevné dotažení víčka palivové nádrže.
- Palivo do zařízení nikdy nedoplňujte v uzavřených prostorách. Výpary paliva se shromažďují nízko nad zemí (nebezpečí výbuchu).
- Palivo skladujte pouze ve vhodných nádobách a zajistěte, aby bylo mimo dosah dětí.



## Provoz

- V případě nouze okamžitě vypněte motor.
- Jestliže při provozu zpozorujete něco neobvyklého (např. hluk či vibrace), vypněte motor. Do rozpoznání a odstranění příčiny tyčové nůžky na živé ploty nepoužívejte.
- Po uvolnění páčky plynu či vypnutí motoru pokračují nože ještě krátkou dobu v pohybu. Vyčkejte, a nožů se nedotýkejte.
- Nikdy se nesnažte zařízení obsluhovat jen jednou rukou. Ztráta kontroly může mít za následek vážné či smrtelné zranění. V rámci omezení nebezpečí zranění nepřibližujte k ostří zařízení ruce ani nohy.
- Pravou ruku držte při práci pod úroveň ramene. Jinak byste mohli ztratit kontrolu a způsobit si zranění.
- Noži při práci nikdy nenarážejte na tvrdé překážky (kameny, kov). Obzvláště opatrně buďte při stříhání živých plotů před drátěnými ploty či v jejich blízkosti. Při práci v blízkosti terénu zajistěte, aby se mezi nože nedostal písek, štěrky či kameny.
- Při kontaktu nožů s kameny či jinými pevnými předměty ihned vypněte motor a po odpojení konektoru zapalovací svíčky zkontrolujte poškození nožů. Poškozené nože vyměňte.
- Pohybujících se nožů se nikdy nedotýkejte a ani se k nim nepřibližujte. Nože vám mohou snadno poranit prsty. Při manipulaci či přiblížení se k nožům vypněte motor a odpojte konektor zapalovací svíčky.
- Při zablokování nožů silnějšími odštěpkami ihned vypněte motor, tyčové nůžky na živé ploty položte na zem a po odpojení konektoru zapalovací svíčky nože uvolněte. Před opětovným používáním zařízení zkontrolujte, zda nedošlo k poškození nožů.
- Přidávání plynu se zablokovanými noži zvýší zátěž a může dojít k poškození motoru či spojky.
- Nože při provozu často kontrolujte, zda nejsou popraskané či otupené. Před prováděním prohlídky vypněte motor a počkejte, až se nože zcela zastaví. Poškozené či otupené nože ihned vyměňte, i kdyžby měly jen povrchové praskliny.
- Nedotýkejte se převodovky. Provozem zahřátá převodovka je horká.
- Odpočívajte – zamezte tak ztrátě kontroly vinou únavy. Doporučujeme 10–20 minutový odpočinek po každé hodině práce.
- Před stříháním přesuňte páčku plynu, abyste docílili maximálních otáček.
- Při provozu držte tyčové nůžky na živé ploty vždy oběma rukama.
- Tyčové nůžky na živé ploty používejte pouze v podmínkách dobrého osvětlení a viditelnosti. V zimním období dávejte pozor na nebezpečí uklouznutí na kluzkých a mokrych plochách (led a sníh) – vždy si zajistěte bezpečný postoj.
- S tyčovými nůžkami na živé ploty nikdy nepracujte na nestabilních plochách a strmých svazích.
- Tyčové nůžky na živé ploty nikdy nepoužívejte, jestliže stojíte na žebříku.
- S tyčovými nůžkami na živé ploty nikdy nešplhejte na stromy za účelem stříhání.
- Při práci s tyčovými nůžkami na živé ploty nikdy nekrácejte pozpátku, abyste neklopýtli či nepřepadli přes překážky.
- Před čištěním nebo prováděním údržby zařízení vždy vypněte motor. Nepokoušejte se také vyměňovat díly, aniž byste vypnuli motor.
- S tyčovými nůžkami na živé ploty nepracujte, pokud je stříhací jednotka poškozená či opotřebená.



## Vibrace

- Osoby se slabším krevním oběhem vystavené přílišným vibracím mohou utrpět zranění cévního či nervového systému. Vibrace mohou na prstech, rukou či zápěstích vyvolat následující příznaky: „ochablost“ (necitlivost), mravenčení, bolest, bodavá bolest, změna barvy či stavu pokožky. Trpíte-li jakýmkoli z těchto příznaků, vyhledejte lékaře!
- K zamezení vzniku oběhových problémů (Reynaudovy choroby) udržujte ruce při práci v teple a zajistěte dobrou údržbu zařízení i příslušenství.

## Pokyny k údržbě

- Servis zařízení svěťte našemu autorizovanému servisnímu středisku a vždy používejte pouze originální náhradní díly. Nesprávně provedené opravy či nedostatečná údržba mohou zkrátit životnost zařízení či zvýšit nebezpečí nehody.
- Při práci s tyčovými nůžkami na živé ploty vždy usilujte o co nejnižší úroveň emisí hluku a znečištění. Zvláštní pozornost věnujte správnému nastavení karburátoru.
- Tyčové nůžky na živé ploty pravidelně čistěte a kontrolujte, zda jsou pevně dotaženy všechny matice a šrouby.
- V blízkosti otevřeného ohně, jisker atd. nikdy neprovádějte údržbu ani skladování tyčových nůžek na živé ploty.
- Ohnuté či zlámané nože nikdy neopravujte rovnáním či svařováním. Díly či nože se mohou uvolnit a mohly by způsobit vážné zranění. V případě potřeby požádejte autorizované servisní středisko MAKITA o výměnu za originální nože MAKITA.
- V rámci zamezení dalšího poškození či vzniku zranění se nepokoušejte porouchané tyčové nůžky na živé ploty opravovat, jestliže k tomu nemáte potřebnou kvalifikaci. V případě nutnosti oprav se vždy obraťte na prodejce nebo na zástupce autorizovaného servisu.

Tyčové nůžky na živé ploty se nesnažte pozměňovat či upravovat, neboť by mohlo dojít k ovlivnění provozní bezpečnosti.

Provádění údržby uživatelem je omezeno na aktivity popsané v tomto návodu k obsluze. Jakékoli další potupy musí být provedeny zástupcem autorizovaného servisu.

Kontrolu a údržbu tyčových nůžek na živé ploty nechávejte pravidelně provádět v autorizovaném servisním středisku MAKITA.

Používejte pouze originální náhradní díly a příslušenství dodávané autorizovanými servisními středisky MAKITA.

Používání neautorizovaného příslušenství a nástrojů může zvýšit nebezpečí nehody a zranění. Společnost MAKITA nepřijímá žádnou odpovědnost za nehody či škody vzniklé používáním neautorizovaného příslušenství či dílů.

## Skladování

- Před skladováním zařízení důkladně vyčistěte a proveďte potřebnou údržbu. Nasaďte kryt nožů.
- Před skladováním vyprázdněte palivovou nádrž a tyčové nůžky na živé ploty vždy skladujte v dobře větrané uzamykatelné místnosti. Zajistěte, aby byly tyčové nůžky na živé ploty vždy mimo dosah dětí.
- Zařízení nikdy o nic neopírejte (např. o stěnu). Tyčové nůžky na živé ploty by mohly spadnout a způsobit zranění.

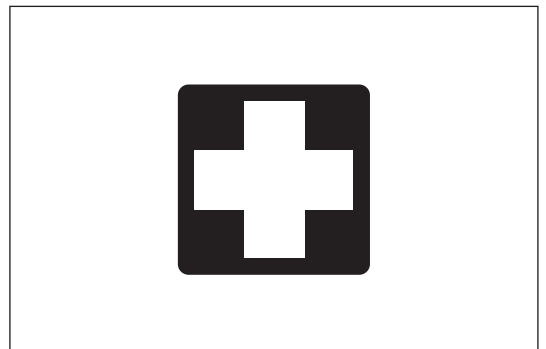
## První pomoc

V rámci preventivních opatření proti vzniku nehod zajistěte, aby byla po ruce kompletně vybavená lékárnička.

Použitý obsah lékárničky co nejdříve doplňte.

## Při přivolávání pomoci v nouzi poskytněte následující informace:

- Místo nehody
- Co se stalo
- Počet zraněných osob
- Rozsah zranění
- Uveďte své jméno



**Pouze pro evropské země**

**ES prohlášení o shodě**

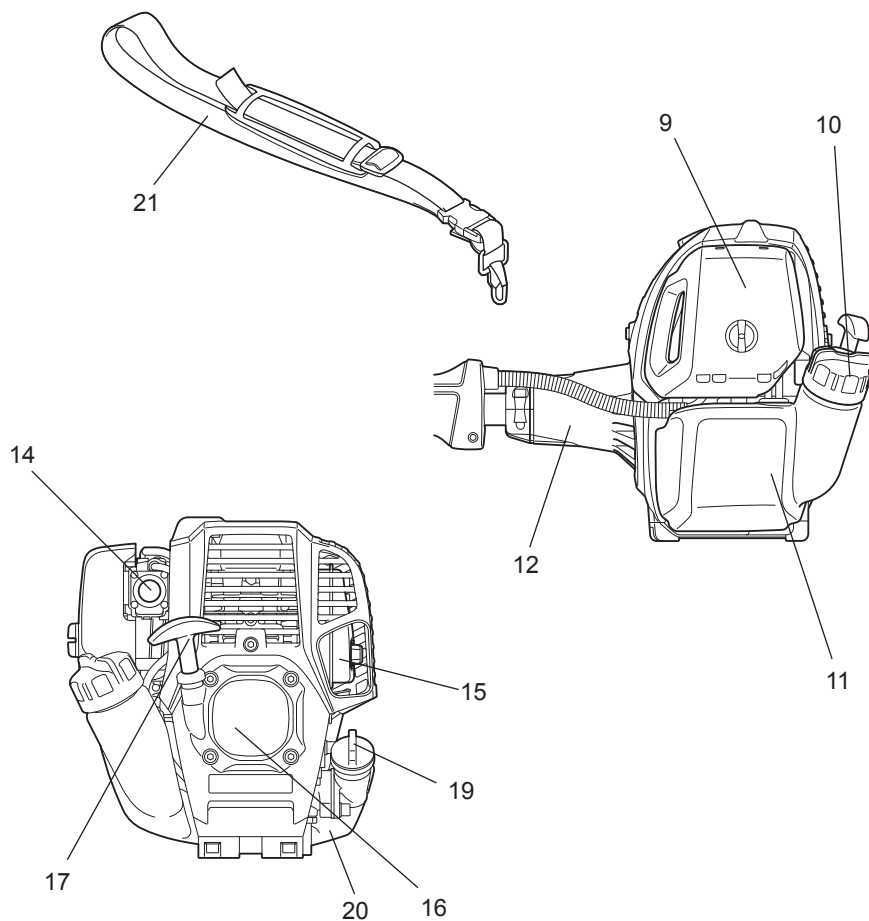
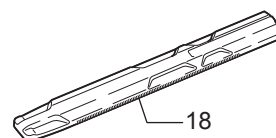
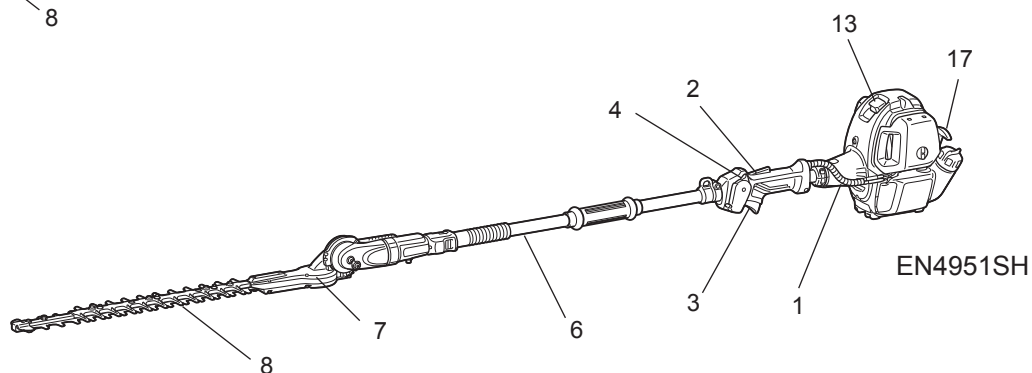
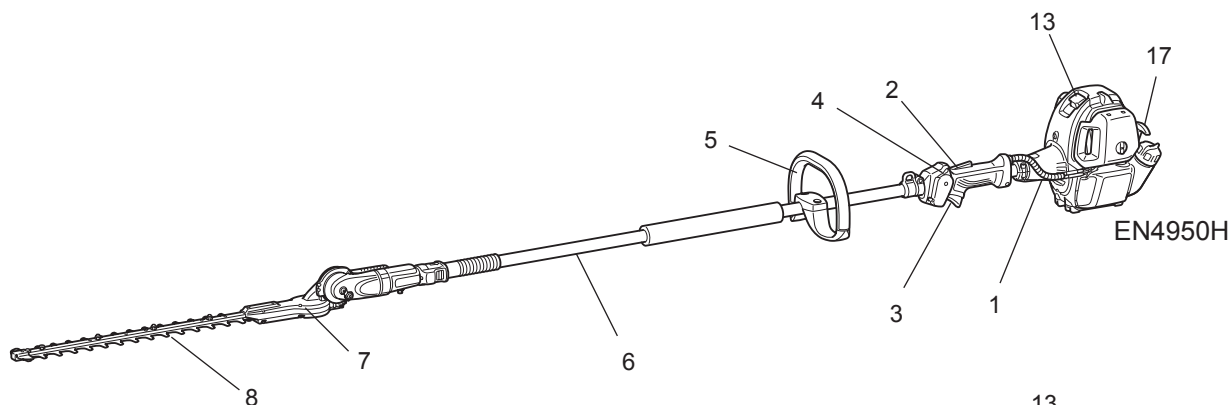
ES prohlášení o shodě je v tomto návodu k obsluze zahrnuto jako Příloha A.

## TECHNICKÁ DATA

Model		EN4950H	EN4951SH
		Obloukové držadlo	Přímé držadlo
Rozměry (D × Š × V)		2 550 mm × 242 mm × 241 mm	2 050 mm × 221 mm × 241 mm
Čistá hmotnost		6,9 kg	6,6 kg
Objem (palivová nádrž)		0,6 l	
Pracovní délka		490 mm	
Maximální průměr větvi		7 mm	
Počet zdvihů		4 200 min <sup>-1</sup>	
Typ motoru		Vzduchem chlazený, 4 dobý jednoválec	
Zdvihový objem motoru		25,4 cm <sup>3</sup>	
Maximální výkon motoru		0,77 kW při 7 000 min <sup>-1</sup>	
Otáčky motoru při doporučených maximálních otáčkách hřídele		10 000 min <sup>-1</sup>	
Spotřeba paliva		0,33 kg/h	
Měrná spotřeba paliva		408 g/kWh	
Volnoběžné otáčky		3 000 min <sup>-1</sup>	
Otáčky sepnutí spojky		4 400 min <sup>-1</sup>	
Karburačtor (membránový karburačtor)		Membránový typ	
Zapalovací svíčka typ		NGK CMR4A	
Vzdálenost elektrod		0,7–0,8 mm	
		Vibrace dle ISO 10517	Vibrace dle ISO 10517
Pravé držadlo (zadní držadlo)	a <sub>hv eq</sub>	8,5 m/s <sup>2</sup>	7,0 m/s <sup>2</sup>
	Nejistota K	1,3 m/s <sup>2</sup>	3,1 m/s <sup>2</sup>
Levé držadlo (přední držadlo)	a <sub>hv eq</sub>	6,4 m/s <sup>2</sup>	5,1 m/s <sup>2</sup>
	Nejistota K	2,6 m/s <sup>2</sup>	1,5 m/s <sup>2</sup>
		Hlučnost dle ISO 10517	Hlučnost dle ISO 10517
Hladina akustického tlaku		90 dB (A)	90,2 dB (A)
Nejistota K		1,8 dB (A)	1,0 dB (A)
Hladina akustického výkonu		103,0 dB (A)	104,1 dB (A)
Nejistota K		1,0 dB (A)	0,4 dB (A)
Palivo		Automobilový benzín	
Motorový olej		Olej s API klasifikací SF nebo vyšší, olej třídy SAE 10W-30 (automobilový olej pro čtyřdobé motory)	
Převodový poměr		1/4,78	



## POPIS DÍLŮ



	Popis dílů
1	Lanko plynu
2	Odjišťovací páčka
3	Páčka plynu
4	Přepínač STOP
5	Držadlo
6	Hřídelová tyč
7	Převodovka
8	Nůž
9	Vzduchový filtr
10	Víčko palivové nádrže
11	Palivová nádrž
12	Pouzdro spojky
13	Konektor zapalovací svíčky
14	Nastříkovač
15	Tlumič
16	Lankový startér
17	Startovací madlo
18	Kryt nožů
19	Víčko olejové nádrže
20	Olejevá nádrž
21	Ramenní popruh (volitelné příslušenství)

## KOMPLETACE

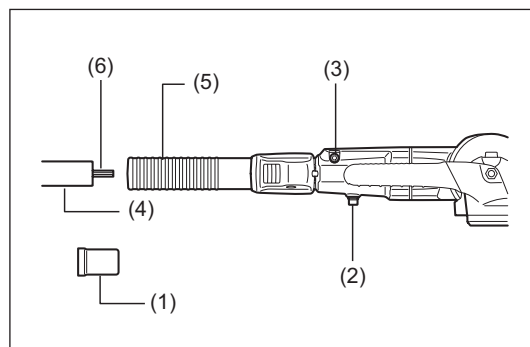
### ⚠ VAROVÁNÍ:

- Před sestavováním tyčových nůžek na živé ploty zajistěte vypnutí motoru a odpojení konektoru zapalovací svíčky.
- Noste ochranné rukavice!
- Při připojování stříhací jednotky k tyči zajistěte nože nůžek dodaným krytem.

1. Z hřídelové tyče sejměte víčko (1).
2. Povolte šroub M5×16 (2) a šroub M5×25 (3).
3. Hřídelovou tyč (4) zasuňte do krycího prvku (5).

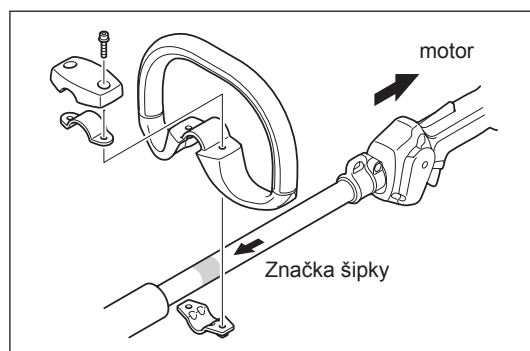
**POZNÁMKA:** Ujistěte se, zda je hřídelová tyč zcela zasunuta do krycího prvku (přibl. 237 mm/ 9 a 3/8").  
Jestliže máte se zasunováním hřídelové tyče potíže, pootočte rukou mírně hnací hřídel (6) a zkuste to znovu.

4. Ubezpečte se, zda je hřídelová tyč správně zasunuta a potom dotáhněte šroub M5×16 a šroub M5×25.



### NASAZENÍ DRŽADLA (model EN4950H)

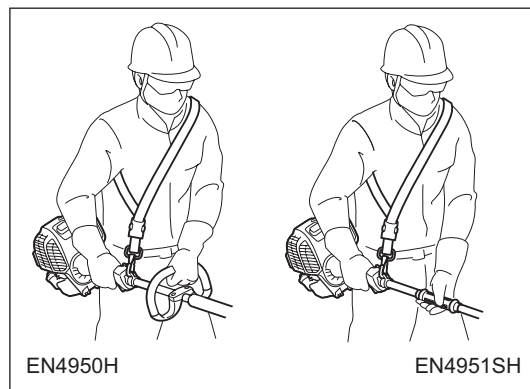
- Ke hřídelové tyči upevněte podle nákresu obloukové držadlo.
- K dodržení správné vzdálenosti mezi držadly upevněte obloukové držadlo před šipky.



## RAMENNÍ POPRUH (volitelné příslušenství)

### Správné nošení ramenního popruhu

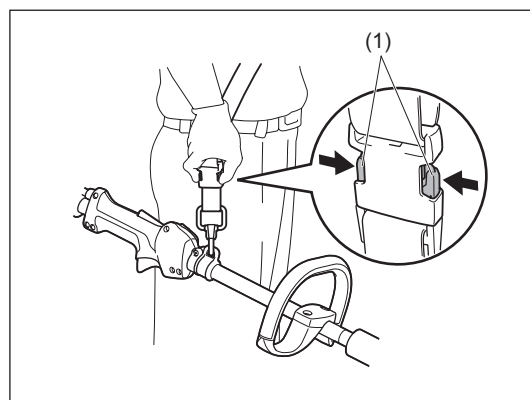
- Ramení popruh si nasadte přes levé rameno.
- Jednotku tyčových nůžek na živé ploty držte při pravé straně těla.
- Ramenní popruh zachyťte za závěs na tyčových nůžkách na živé ploty a nastavte si délku popruhu tak, abyste získali pohodlnou pracovní polohu.



### Odpojení

- V případě nouze stiskněte západky (1) ve výřezech po obou stranách, čímž zařízení od sebe odpojíte.
- Počínejte si velmi opatrně, abyste v tuto chvíli nad zařízením neztratili kontrolu. Nedovolte, aby se zařízení odrazilo směrem k vám či jakékoli osobě v blízkosti pracoviště.

**VAROVÁNÍ:** Ztráta plné kontroly nad zařízením může vést až k vážným zraněním či SMRTI.



## NEŽ ZAČNETE PRACOVAT

### Kontrola a doplnění motorového oleje

- Následující postup provádějte u vychladlého motoru.
- Uložte motor do vodorovné polohy, sejměte víčko olejové nádrže (obr. 1) a zkontrolujte, zda hladina oleje sahá do úrovně mezi značkami horní a dolní meze v plnicím hrdle (obr. 2).
- Jestliže olej chybí (hladina oleje je v blízkosti značky dolní meze), doplňte jej až ke značce horní meze (obr. 3).
- Oblast kolem vnějších značek je průhledná, takže množství oleje v nádrži lze zkontrolovat i bez snímání víčka olejové nádrže. Jestliže se však plnicí hrdlo zvenku silně znečistí, viditelnost nemusí být zřejmá a hladinu oleje bude nutné zkontrolovat podle stupňovité části v plnicím hrdle.
- Orientační interval doplňování oleje je zhruba 10 h (po každých 10 doplněních paliva).  
Změní-li olej barvu nebo jestliže se smísí s nečistotami, vyměňte jej za nový (Interval a způsob výměny: viz str. 188).

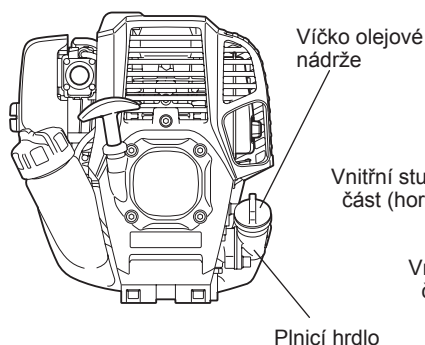
**Doporučený olej:** SAE 10W-30 dle klasifikace API, třída SF či vyšší (automobilový olej pro čtyřdobé motory)

**Objem oleje:** Přibl. 0,08 l

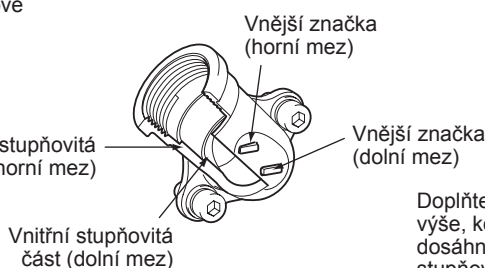
**POZNÁMKA:** Jestliže motor nebude uložen svisle, může olej stéci do motoru a náplň může být nadměrná.  
Při nadměrném doplnění oleje může dojít k jeho znečištění nebo se olej začne spalovat (vychází bílý kouř).

### Bod č. 1 při výměně oleje: „Víčko olejové nádrže“

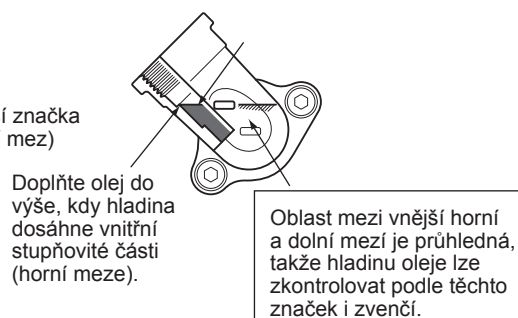
- Z okolí plnicího otvoru odstraňte prach a nečistoty a sejměte víčko olejové nádrže.
- Víčko olejové nádrže chraňte před kontaktem s pískem a prachem. Jestliže na víčku olejové nádrže ulpí písek či prach, může dojít k nepravidelné cirkulaci oleje či opotřebením dílů motoru s následnými závadami.



Obr. 1

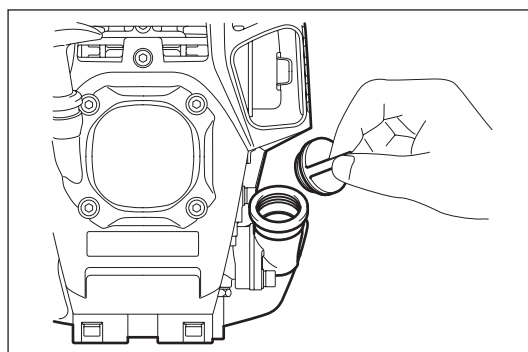


Obr. 2 – plnicí hrdlo

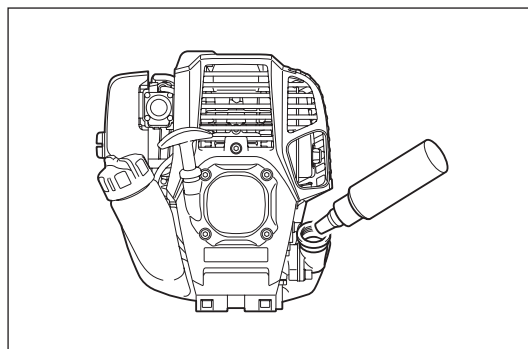


Obr. 3

(1) Přidržte motor ve vodorovné poloze a sejměte víčko olejové nádrže.



(2) Doplněte olej až po značku horní meze (viz obr. 3).  
Při plnění použijte olejničku.



(3) Pevně dotáhněte víčko olejové nádrže. Nedostatečné dotažení může způsobit únik oleje.

#### Poznámka

- Nevyměňujte olej s motorem v nakloněné poloze.
- Při plnění nakloněného motoru olejem dojde k přeplnění a znečištění oleje nebo se objeví výstup bílého kouře z výfuku.

#### Bod č. 2 při výměně oleje: „Jestliže olej vyteče“

- Pokud olej vyteče mezi palivovou nádrží a hlavní jednotku motoru, nasaje se do vstupního otvoru chladicího vzduchu a dojde ke znečištění motoru. Před zahájením práce nezapomeňte rozlitý olej utřít.

## DOPLŇOVÁNÍ PALIVA

### Manipulace s palivem

S palivem je nutné zacházet s maximální opatrností. Palivo může obsahovat látky podobné rozpouštědlům. Palivo je nutné doplňovat v dostatečně ventilované místnosti nebo venku. Výpary paliva nikdy nevděchujte a palivo ukládejte stranou. Opakovaný nebo delší kontakt s palivem vysušuje pokožku a může způsobit kožní onemocnění nebo alergie. Jestliže palivo vnikne do očí, vypláchněte je čistou vodou. Zůstanou-li oči podrážděné, obraťte se na lékaře.

### Skladovatelnost paliva

Palivo je třeba spotřebovat během 4 týdnů, a to i v případě jeho skladování ve speciální nádobě v dobře větraném stinném prostoru. Jinak se může palivo znehodnotit během jednoho dne.

### SKLADOVÁNÍ ZAŘÍZENÍ A DOPLŇOVACÍ NÁDOBA

- Zařízení i doplňovací nádobu uchovávejte na chladném místě mimo dosah přímého slunečního záření.
- Benzín nikdy neuchovávejte v automobilu.

### Palivo

Tento motor je čtyřtákní jednotkou. Ujistěte se, zda používáte automobilový 87 oktanový benzín nebo palivo s vyšším oktanovým číslem ( $(R+M)/2$ ). Palivo nesmí obsahovat více než 10 % etanolu (E-10).

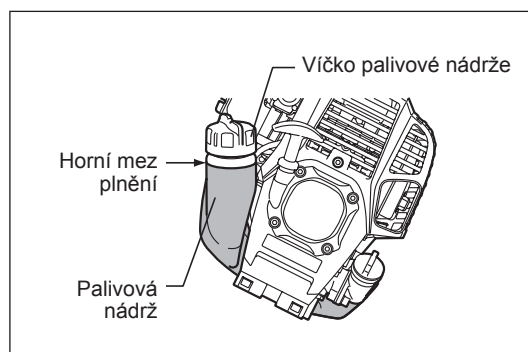
### Poznámky k palivu

- Nikdy nepoužívejte směs benzínu s motorovým olejem. V opačném případě dojde k nadměrnému usazování karbonu či mechanickým závadám.
- Používání opotřebeného oleje způsobí nesprávné startování.

### Doplňování paliva

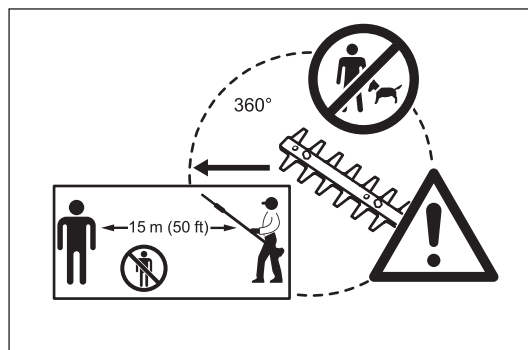
#### VAROVÁNÍ: PŘÍSNÝ ZÁKAZ POUŽÍVÁNÍ HOŘLAVIN

- Mírným povelím víčka palivové nádrže uvolněte tlak v nádrži.
  - Sejměte víčko nádrže a doplňte palivo s nalévacím otvorem nádrže nasměrovaným nahoru tak, aby unikl vytlačovaný vzduch. (Palivo NEDOPLŇUJTE až po okraj nádrže.)
  - Okolí víčka nádrže řádně otřete, abyste zamezili vniknutí nečistot do palivové nádrže.
  - Po doplnění paliva víčko nádrže pevně dotáhněte.
- Zjistíte-li na víčku nádrže nějaké vady či poškození, vyměňte jej.
  - Víčko nádrže se časem opotřebí. Jednou za dva až tři roky jej vyměňte.



## BEZPEČNOSTNÍ UPOZORNĚNÍ PŘED STARTOVÁNÍM MOTORU

- Kolem pracoviště si v okruhu 15 metrů vždy vyhradte bezpečnostní oblast. Zajistěte, aby všechny osoby (zvláště děti) a zvířata zůstaly mimo tuto oblast.
- Před používáním tyčových nůžek na živé ploty se ujistěte, zda je zařízení v bezpečném provozním stavu. Ubezpečte se, zda nejsou poškozené nože a zkontrolujte snadný chod páčky plynu. Ujistěte se, zda se stříhací nože ve volnoběžných otáčkách motoru nepohybují. Jestliže zařízení nepracuje normálně, kontaktujte prodejce a nechte si zařízení seřídit. Ujistěte se, zda jsou držadla čistá a suchá a zkontrolujte správnou funkci přepínače I-O. Motor startujte pouze v souladu s pokyny uvedenými v této příručce. Nepoužívejte žádné jiné metody startování tyčových nůžek na živé ploty.
- Motor tyčových nůžek na živé ploty startujte teprve poté, co jste si přečetli pokyny a důkladně porozuměli jejich obsahu. Nikdy se nesnažte startovat tyčové nůžky na živé ploty, jež nebyly zcela sestaveny. V opačném případě může dojít k vážnému zranění.
- Před startováním motoru se vždy ujistěte, zda nejsou nože zablokovány kameny, větvemi či jinými pevnými předměty.
- Zkontrolujte pracoviště a výskyt drátů, šňůr, skla či dalších cizorodých předmětů, jež by se mohly zachytit do nožů.
- Nebezpečí úrazu elektrickým proudem: dejte pozor na elektrické vedení v blízkosti pracoviště. Před zahájením práce zkontrolujte celou pracovní oblast a výskyt elektrického vedení či elektrických ohradníků.



## OBSLUHA A ZASTAVENÍ ZAŘÍZENÍ

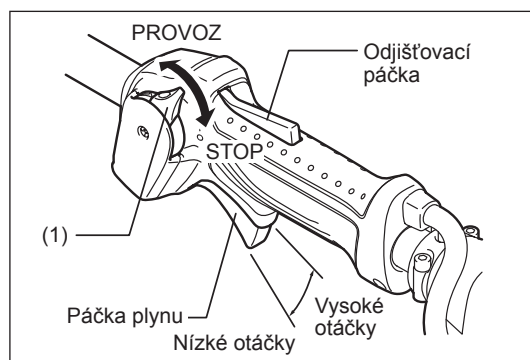
Dodržujte příslušné předpisy bezpečnosti práce!

### STARTOVÁNÍ

Přesuňte se alespoň 3 m od místa doplňování paliva. Tyčové nůžky na živé ploty umístěte na čistou část terénu a dejte pozor, aby se nože nedostaly do kontaktu s terénem ani s žádným jiným předmětem.

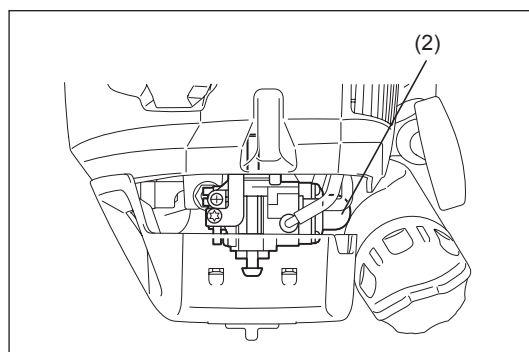
#### A: Studený start

- 1) Položte zařízení na rovnou plochu.
- 2) Přepínač I-O (1) nastavte na PROVOZ.



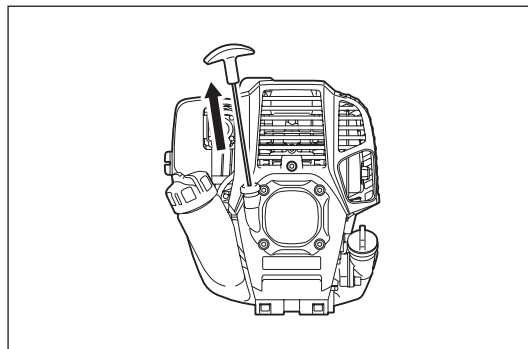
#### 3) Nastříkovač

Opakovaným stlačováním nastříkovače (2) do něj dopravte palivo. (Obvykle se palivo do nastříkovače dostane po 7 až 10 stisknutích.) Při přílišném stlačování nastříkovače se přebytek benzínu vrátí do palivové nádrže.



- 4) Lankový startér  
Zatáhněte mírně za startovací madlo, až ucítíte odpor (bod komprese). Potom startovací madlo vraťte zpět a silně zatáhněte. Lanko nikdy nevytahujte na celou délku. Po zatažení nikdy nepouštějte madlo ihned z ruky. Startovací madlo přidržte, až se vrátí do původní polohy.
- 5) Zahřátí motoru  
Nechte motor 2 až 3 minuty zahřát.

**POZNÁMKA:** V případě přesycení palivem vyjměte zapalovací svíčku a pomalým taháním za madlo startéru odstraňte přebytek paliva. Osušte také elektrody zapalovací svíčky.



#### **B: Startování po zahřátí**

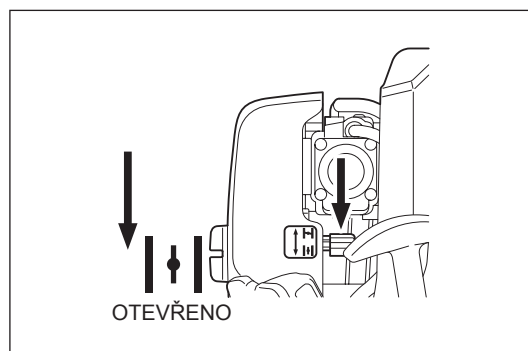
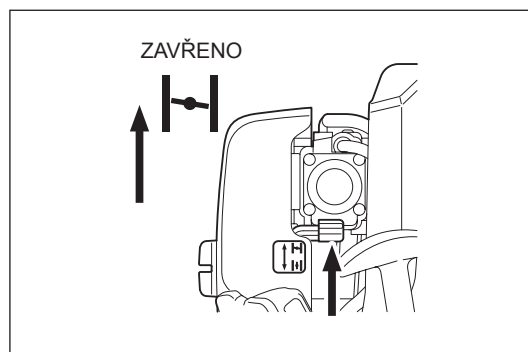
- 1) Nastříkovač opakovaně nenásilně stlačujte.
- 2) Páčku plynu ponechte v poloze volnoběhu.
- 3) Silně zatáhněte za lankový startér.
- 4) Nelze-li motor snadno nastartovat, přidejte plyn asi na 1/3.  
Dejte pozor na nože, jež mohou být v pohybu.

**V situacích (například v zimě), kdy je startování motoru obtížné, pracujte s páčkou sytiče následujícím způsobem.**

- Po provedení kroků startování 1) až 3) nastavte páčku sytiče do polohy ZAVŘENO.
- Proveďte krok 4) a nastartujte motor.
- Jakmile se motor spustí, nastavte páčku sytiče do polohy OTEVŘENO.
- Proveďte krok 5) a zahřejte motor.

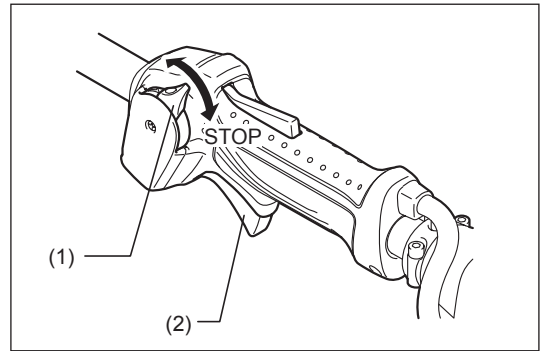
**UPOZORNĚNÍ:** Jestliže se ozve rána (zvuk třesknutí) a motor se zastaví nebo pokud se právě nastartovaný motor zastaví ještě před pohybem páčky sytiče, vraťte páčku sytiče do polohy OTEVŘENO a několikrát zatažením za startovací madlo nastartujte motor.

**UPOZORNĚNÍ:** Zůstane-li páčka sytiče ponechána v poloze ZAVŘENO potáhněte přitom několikrát za startovací madlo, nasaje se přílišné množství paliva a startování motoru bude obtížné.



## VYPNUTÍ MOTORU

- 1) Zcela uvolněte páčku plynu (2) a po snížení otáček motoru nastavte přepínač I-O (1) do polohy STOP – motor se zastaví.
- 2) Dávejte pozor – vyžínací nástroj se nemusí okamžitě zastavit – nechte jej zcela zpomalit.

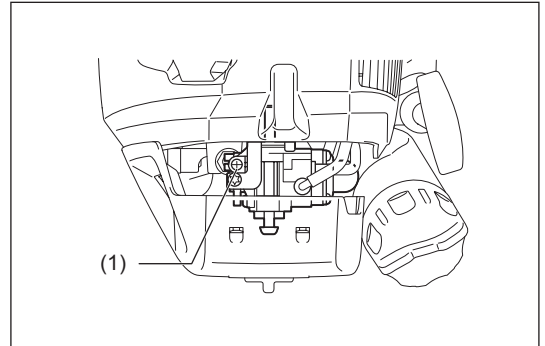


## SEŘÍZENÍ NÍZKÝCH OTÁČEK (VOLNOBĚH)

V případě nutnosti seříďte seřizovacím šroubem karburátoru (1) nízké otáčky (volnoběh).

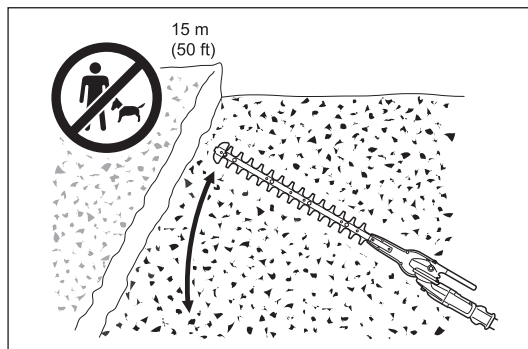
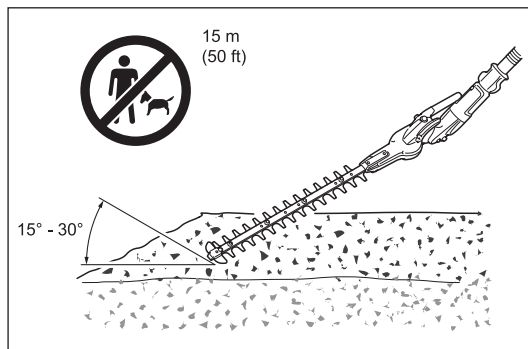
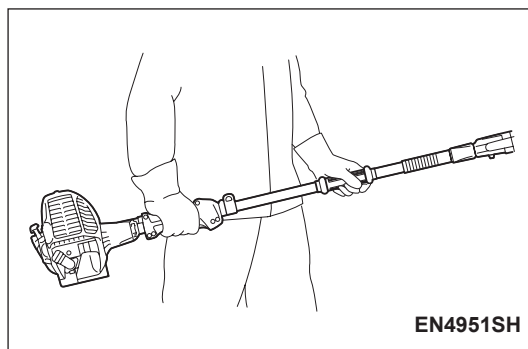
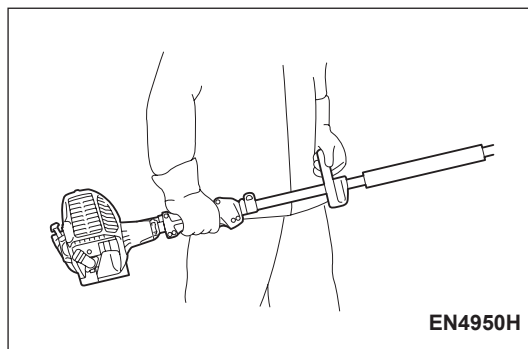
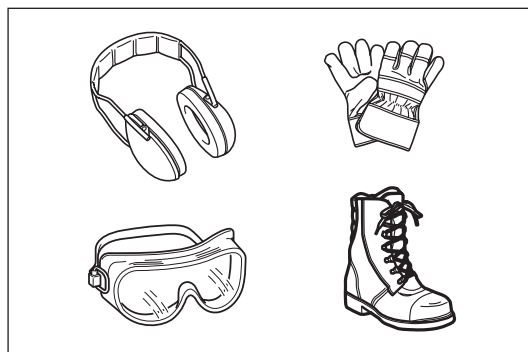
## KONTROLA NÍZKÝCH OTÁČEK

- Nízké otáčky nastavte na 3 000 ot./min (/min).  
V případě nutnosti změny otáček proveďte regulaci seřizovacím šroubem (1) a křížovým šroubovákem.
- Otáčením seřizovacího šroubu doprava otáčky motoru zvýšíte. Otáčením seřizovacího šroubu doleva otáčky motoru snížíte.
- Karburátor je obvykle seřízen před uvedením do prodeje. Bude-li nutné opakované seřízení, obraťte se na autorizované servisní středisko.



## PRÁCE S TYČOVÝMI NŮŽKAMI NA ŽIVÉ PLOTY

- Nedotýkejte se části s noži tyčových nůžek na živé ploty při provozu nebo pokud je motor v chodu.
- Při práci s tyčovými nůžkami na živé ploty dávejte dobrý pozor, abyste nevedchovali výfukové plyny. S tyčovými nůžkami na živé ploty nikdy nepracujte v uzavřených místnostech ani v oblastech s nedostatečnou ventilací (nebezpečí udušení a otravy plynem). Pamatujte, že oxid uhelnatý je plyn bez zápachu, jenž nelze zjistit čichem.
- Před zahájením práce s tyčovými nůžkami na živé ploty si vždy oblékněte vhodný ochranný oděv.
- Nepracuje-li správně tlumič, okamžitě vypněte motor.
- Tyčové nůžky na živé ploty používejte pouze v podmínkách dobrého osvětlení a viditelnosti.
- S tyčovými nůžkami na živé ploty nepracujte ve tmě či v mlze. V zimním období dávejte pozor na nebezpečí uklouznutí na kluzkých a mokřých plochách (led a sníh) – vždy si zajistěte bezpečný postoj.
- S tyčovými nůžkami na živé ploty nikdy nepracujte na nestabilních plochách a strmých svazích.
- Tyčové nůžky na živé ploty nikdy nepoužívejte, jestliže stojíte na žebříku.
- S tyčovými nůžkami na živé ploty nikdy nešplhejte na stromy za účelem stříhání.
- Neustále kontrolujte pracoviště a výskyt drátů, šňůr, skla či dalších cizorodých předmětů, jež by se mohly zachytit do nožů.
- Před zahájením stříhání se ujistěte, zda se stříhací nože rychle pohybují.
- S tyčovými nůžkami na živé ploty vždy držte oběma rukama a při práci zařízení stále pevně držte.
- K zajištění dokonalého ovládnutí tyčových nůžek na živé ploty vždy obemkněte držadla prsty (k zajištění protitlaku použijte palce) a držadla pevně sevřete.
- Pamatujte, že po uvolnění páčky plynu zůstávají nože až dvě vteřiny v pohybu.
- S tyčovými nůžkami na živé ploty nestříhejte při nízkých otáčkách motoru.
- Jestliže motor pracuje v nízkých otáčkách, nelze pomocí páčky plynu dosáhnout správné rychlosti nožů.
- Při stříhání horní plochy živého plotu vyrovnejte nože nejprve do úhlu 15–30° ve směru stříhání a tyčové nůžky na živé ploty držte ve vodorovné poloze. Potom začněte živý plot sestříhávat kývavými a kruživými pohyby hřídelové tyče nůžek na živé ploty.
- Při stříhání boků živého plotu vyrovnejte nože souběžně se stříhanou plochou a začněte stříhat půlkruhovitými pohyby směrem nahoru (zdola nahoru).
- Buďte opatrní při stříhání živých plotů v blízkosti drátěných plotů či před nimi.
- Noži se nedotkněte tvrdých předmětů, jimiž jsou například drátěné ploty, kameny, či zemina. Mohlo by dojít k prasknutí, vyštípnutí či zlomení nožů.
- S tyčovými nůžkami na živé ploty nepracujte příliš dlouhou dobu. Obecným pravidlem je 10–20minutový odpočinek po každých 50 minutách práce.
- Při kontaktu nožů s kameny či jinými pevnými předměty ihned vypněte motor a zkontrolujte, zda nedošlo k poškození nožů. Poškozené nože vyměňte.
- Nastanou-li při provozu potíže s tyčovými nůžkami na živé ploty, (neobvyklé zvuky, vibrace atd.), okamžitě vypněte motor. Do rozpoznání a odstranění problému zařízení nepoužívejte.
- Při práci s tyčovými nůžkami na živé ploty vždy usilujte o co nejnižší úroveň emisí hluku a znečištění. Zvláštní pozornost věnujte správnému seřízení karburátoru.
- Při zablokování nožů silnějšími odštěpky ihned vypněte motor, zařízení položte na zem a překážku odstraňte. Před opětovným používáním zařízení zkontrolujte, zda nedošlo k poškození nožů.





## Nastavení úhlu stříhání

### Varování:

- Se zařízením nepracujte, jestliže je stříhací jednotka uvolněná nebo nestabilní.

Úhel stříhání lze nastavit na 45° nahoru a 90° dolů.

1. Vypněte motor tyčových nůžek na živé ploty a zařízení položte na zem.
2. Při nastavování úhlu stříhací jednotky držte jednou rukou držadlo (A) stříhací jednotky a druhou rukou podle obrázku přidržte aretaci nastavení úhlu (B).
3. Mírně zatáhněte za aretaci nastavení úhlu a proveďte změnu úhlu stříhací jednotky. Po nastavení úhlu vraťte aretaci nastavení úhlu nenásilně zpět.

### Poznámka:

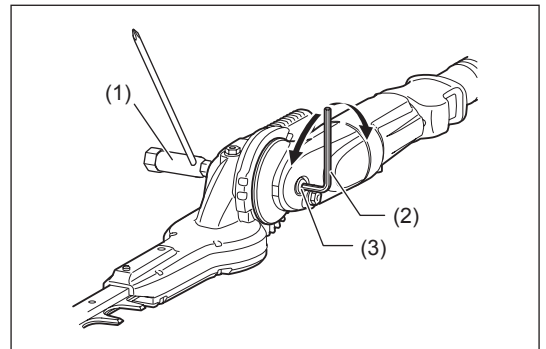
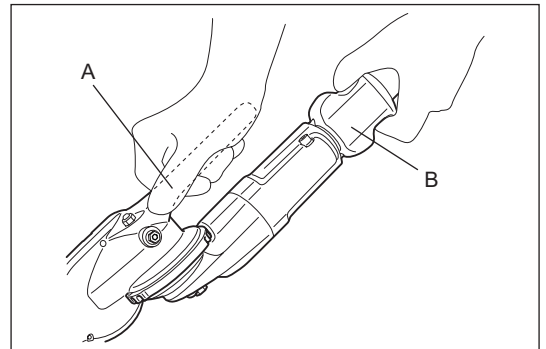
- Stříhací jednotka se zafixuje pouze v určitých úhlech v drážce jednotky. Ujistěte se, zda stříhací jednotka správně dosedla na místo. Jestliže není nastaven správný úhel, vypne se spojka a zařízení nebude pracovat.
- Nastavování stříhací jednotky neprovádějte, pokud jsou tyčové nůžky na živé ploty ve svislé poloze.
- Při nastavování úhlu stříhání přesuňte přepínač I-O do polohy „O“ a tyčové nůžky na živé ploty položte na zem.
- Před nastavováním úhlu stříhání nože vždy zajistěte dodaným krytem nožů.

Jestliže se stříhací jednotka uvolní, je třeba dotáhnout šroub (čep nastavení úhlu).

1. Připravte si nástrčný (1) a imbusový klíč (2) k dotažení šroubu (3).
2. Otáčením imbusového klíče nastavte dotažení stříhací jednotky a potom šroub dotáhněte otáčením nástrčného klíče.

### Poznámka:

- Stříhací jednotku neutahujte příliš. Pokud je spoj příliš dotažený, nebude možné měnit úhel stříhací jednotky.



## ÚDRŽBA

- Před prováděním jakékoli údržby tyčových nůžek na živé ploty (čištění nožů atp.) vždy vypněte motor a počkejte, až motor vychladne. Dodatečným bezpečnostním krokem pak bude také odpojení konektoru zapalovací svíčky.
- Ohnuté či zlámané nože se nepokoušejte rovnat či svařovat. Poškozené nože vždy vyměňte.
- Motor pravidelně vypínejte a kontrolujte, zda nedošlo k poškození nožů (obtížně viditelné vlasové trhliny zjistíte sluchem při poklepání). Zajistěte, aby byly zuby nožů vždy ostré.
- Tyčové nůžky na živé ploty pravidelně čistěte. Při čištění rovněž zkontrolujte, zda jsou dobře dotaženy všechny vruty, šrouby i matice.
- V rámci omezení nebezpečí vzniku požáru nikdy neprovádějte údržbu či skladování tyčových nůžek na živé ploty v blízkosti otevřeného ohně.
- Při manipulaci s noži vždy používejte odolné ochranné rukavice.
- Při výměně nožů s obraťte na svého prodejce.
- K čištění nikdy nepoužívejte benzín, benzen, ředidlo, alkohol či podobné prostředky. Mohlo by tak dojít ke změnám barvy, deformacím či vzniku prasklin.

### Ostření nožů

Jestliže se nože otupí a dojde ke snížení výkonu stříhání, nechte nože naostřit u zástupce autorizovaného servisu.

### Seřízení vůle nožů

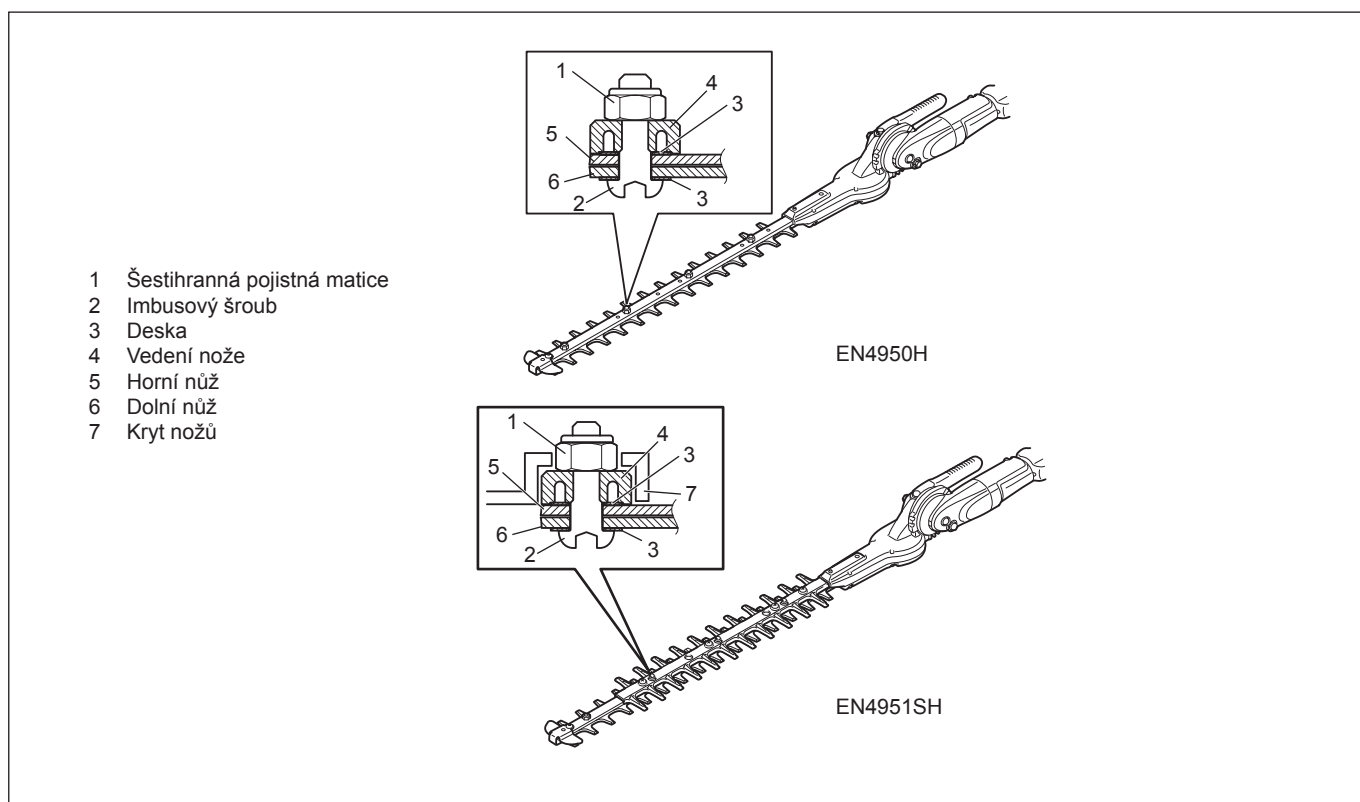
Horní i dolní nůž se provozem postupně opotřebovávají. Jestliže se nedaří docílit čistého stříhu i přesto, že jsou nože dostatečně naostřeny, seřídte vůli podle následujícího postupu.

Vůle mezi noži se nastavuje dotažením imbusového šroubu. Imbusový šroub je přidržován v určitém stupni dotažení maticí. Nadměrná vůle způsobuje tupý stříh a příliš malá vůle vyvolá nepotřebné zahřívání a rychlejší opotřebení nožů.

1. Nástrčným nebo otevřeným klíčem povolte matici (1).
2. Imbusový šroub (2) zlehka dotáhněte imbusovým klíčem, až se zastaví. Potom šroub o čtvrt až půl otáčky povolte, čímž zajistíte potřebnou vůli.
3. Dotáhněte matici (1) a přidržujte přitom imbusový šroub (2).
4. Na třecí plochy nožů naneste olej.
5. Spusťte motor a zhruba minutu střídavě přidávejte a ubírejte plyn.
6. Vypněte motor a dotkněte se ploch. Pokud se nezahlýly tak, že byste na nich neudrželi ruku, provedli jste seřízení správně. Jestliže jsou příliš horké, povolte imbusový šroub (2) trochu zpět a zopakujte kroky 5 až 6.

POZNÁMKA: Před seřizováním vypněte motor a počkejte, až se nože zastaví.

Na nožích je kolem imbusového šroubu (2) drážka. Naleznete-li na konci některé drážky prach, vyčistěte ji.

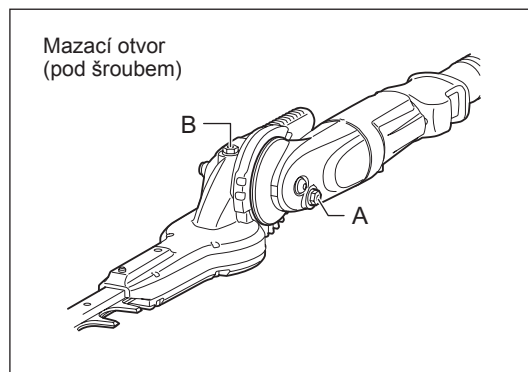


## Mazání a doplňování maziva

**Důležité:** Před mazáním se ujistěte, zda je povrch převodovky zcela vychladlý.

- Převodovku tyčových nůžek na živé ploty je třeba promazat po každých 25 hodinách provozu. Mazací otvor se nachází pod šroubem. Před promazáváním šroub odmontujte. Příslušnými mazacími otvory dodejte přibližně 3 g (4 ccm) maziva do bodu A a 5 g (7 ccm) maziva do bodu B převodovky. Po ukončení mazání namontujte šroub zpět. Po doplnění správného množství unikne při prvním spuštění ze základny nožů menší množství maziva.

**UPOZORNĚNÍ:** Dodržujte intervaly mazání i množství dodávaného maziva. Při zanedbávání mazání v předepsaných intervalech nebo při dodání nedostatečného množství maziva se mohou tyčové nůžky na živé ploty poškodit.



## Každodenní kontrola a údržba

K zajištění dlouhodobé životnosti tyčových nůžek na živé ploty provádějte každodenně následující kontrolu a údržbu.

- Než začnete pracovat:
  - Před zahájením provozu vždy zkontrolujte, zda nejsou nějaké díly uvolněné nebo zda nechybí. Zvláštní pozornost věnujte stříhací jednotce a zajištění dobrého dotažení pojistných šroubů nožů.
  - Před zahájením práce zkontrolujte, zda nejsou zanesené průchody chladicího vzduchu a chladicí žebra válce. V případě nutnosti tato místa vyčistěte.
- Po skončení práce:
  - Očistěte vnější části tyčových nůžek na živé ploty a zkontrolujte, zda nedošlo k poškození.
  - Vyčistěte vzduchový filtr. Při práci v extrémně prašných podmínkách kontrolujte filtr i několikrát denně.
  - Zkontrolujte, zda nedošlo k poškození nožů. Ujistěte se, zda jsou nože pevně namontovány.
  - Jestliže stříhací nože za volnoběhu i po seřizení stále poběžují, obraťte se na nejbližšího zástupce autorizovaného servisu.

## VÝMĚNA MOTOROVÉHO OLEJE

Opotřebený motorový olej značnou měrou zkracuje životnost kluzných a otáčivých dílů. Nezapomínejte kontrolovat dobu a počet výměn.



**NEBEZPEČÍ:** Hlavní jednotka motoru a motorový olej jsou po vypnutí motoru horké. Při výměně oleje se ujistěte, zda jsou hlavní jednotka motoru a motorový olej dostatečně vychladlé. V opačném případě se vystavíte nebezpečí opaření. Po vypnutí motoru chvíli vyčkejte, až motorový olej steče zpět do olejové nádrže, aby byl odečet olejovému měřiču přesný.

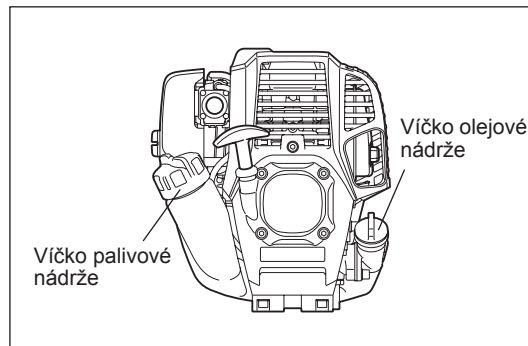
**POZNÁMKA:** Při nadměrném doplnění oleje může dojít k jeho znečištění nebo se olej začne spalovat (vychází bílý kouř).

**Interval výměny:** Po prvních 20 provozních hodinách a dále po každých 50 provozních hodinách

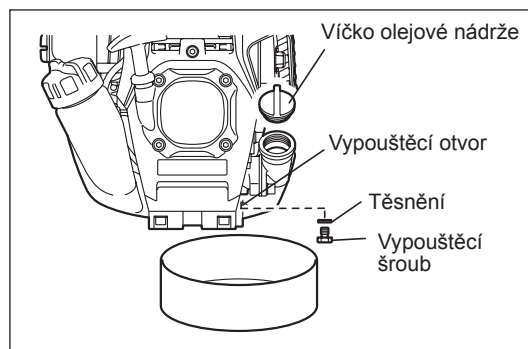
**Doporučený olej:** SAE10W-30 dle klasifikace API, třída SF či vyšší (automobilový olej pro čtyřdobé motory)

Při výměně oleje postupujte následovně.

- 1) Ujistěte se, zda je víčko palivové nádrže pevně dotaženo.
- 2) Pod vypouštěcí otvor umístěte velkou nádobu (mísu atp.).

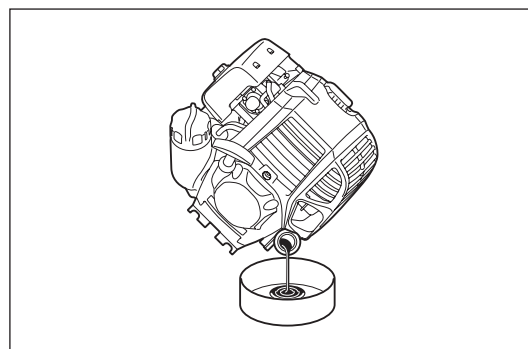


- 3) Vyšroubujte vypouštěcí šroub, sejměte víčko olejové nádrže a vypouštěcím otvorem vypusťte olej. Dávejte pozor, abyste neztratili těsnění vypouštěcího šroubu a abyste neznečistili žádné vyjmuté díly.
- 4) Po vypuštění oleje nasadte na vypouštěcí šroub těsnění a pevně jej dotáhněte, aby se nepovolil a nedošlo k úniku oleje.  
\* Kusem tkaniny řádně setřete veškerý olej ulpělý na šroubu a zařízení.

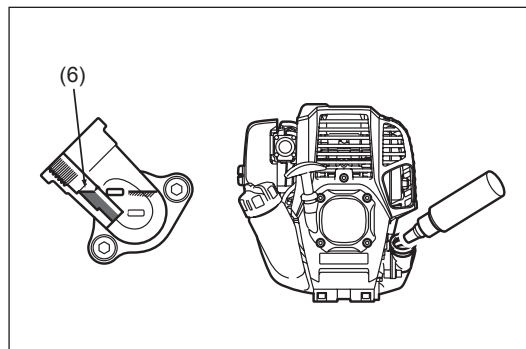
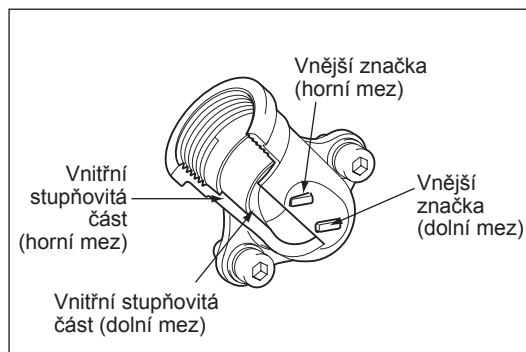


### Alternativní metoda vypuštění oleje

Sejměte víčko olejové nádrže, nakloňte tyčové nůžky na živé ploty k otvoru olejového filtru a vypusťte olej. Olej shromážděte do nádoby.



- 5) Ustavte motor do vodorovné polohy a postupně jej naplňte novým olejem až po značku horní meze (6).
- 6) Po naplnění pevně dotáhněte víčko olejové nádrže, aby se nepovolilo a nezpůsobilo netěsnosti. Nedostatečně dotažené víčko olejové nádrže může způsobit únik oleje.



#### INFORMACE K OLEJI

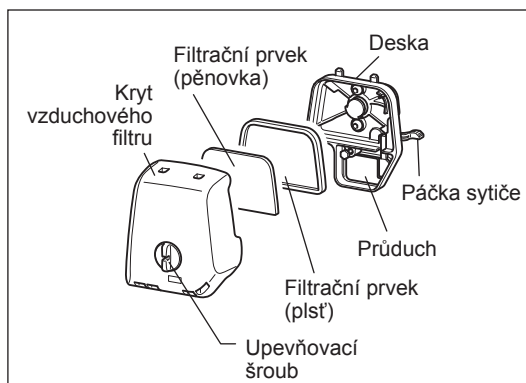
- Starý olej nikdy nevyhazujte do domácího odpadu, nevylévejte jej na zem ani do kanalizace. Likvidace oleje se řídí zákonem. Při likvidaci vždy dodržujte příslušné zákony a směrnice. V případě jakýchkoli pochybností se obraťte na zástupce autorizovaného servisu.
- Olej ztrácí kvalitu i přesto, že není používán. Prohlídku a výměnu oleje provádějte pravidelně (olej vyměňujte za nový každých 6 měsíců).

## Čištění vzduchového filtru

### NEBEZPEČÍ: Přísný zákaz používání hořlavín

Vzduchový filtr kontrolujte a čistěte denně nebo po každých 10 hodinách provozu.

- Páčku sytiče přesuňte zcela ke straně zavřeného stavu a karburátor chraňte před prachem a nečistotami.
- Povolte upevňovací šroub.
- Zatažením za dolní část sejměte kryt vzduchového filtru.
- Vyjměte filtrační prvky a vyklepejte z nich nečistoty.
- Pokud jsou filtrační prvky silně znečištěné:  
Vyjměte filtrační prvky, ponořte je do teplé vody nebo do vody s rozpuštěným neutrálním čisticím prostředkem a pak je důkladně vysušte. Při praní filtrační prvky nemačkejte ani nemněte.
- Před nasazením filtračních prvků zpět se ujistěte, zda jsou zcela suché. Nedostatečné vysušení může vést k obtížím při startování.
- Kusem tkaniny setřete olej kolem krytu vzduchového filtru a průduchového dílu.
- Filtrační prvek (pěnovku) přiložte k druhému prvku (z plsti).
- Oba prvky vložte do desky s pěnovkou obrácenou směrem ke krytu vzduchového filtru.
- Bezprostředně poté nasadte kryt vzduchového filtru a dotáhněte jej upevňovacími šrouby. (Při montáži nasadte nejprve horní západku a pak teprve dolní.)



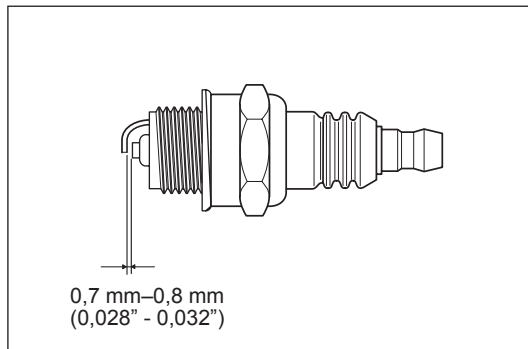
### UPOZORNĚNÍ:

- Při značném zanesení prachem čistěte filtrační prvky několikrát denně. Znečištěné filtrační prvky snižují výkon motoru a způsobují potíže při startování motoru.
- Z filtračních prvků odstraňte olej. Budete-li pokračovat v provozu s filtračními prvky nevyčištěnými od oleje, může se olej ze vzduchového filtru uvolnit a způsobit znečištění životního prostředí.
- Filtrační prvky nepokládejte na zem a znečištěná místa. Mohly by na nich ulpět nečistoty nebo prach a může dojít k poškození motoru.
- K čištění filtračních prvků nikdy nepoužívejte palivo. Palivo může filtrační prvky poškodit.

## KONTROLA ZAPALOVACÍ SVÍČKY

- K demontáži i montáži zapalovací svíčky používejte pouze dodaný univerzální klíč.
- Vzdálenost elektrod zapalovací svíčky musí být 0,7–0,8 mm. Jestliže je vzdálenost příliš velká nebo příliš malá, upravte ji. Jestliže je zapalovací svíčka ucpaná nebo znečištěná, důkladně ji vyčistěte nebo vyměňte.

**UPOZORNĚNÍ:** Nikdy se nedotýkejte konektoru zapalovací svíčky, jestliže motor běží (nebezpečí úrazu vysokým elektrickým napětím).



## Čištění palivového filtru (sací hlava v palivové nádrži)

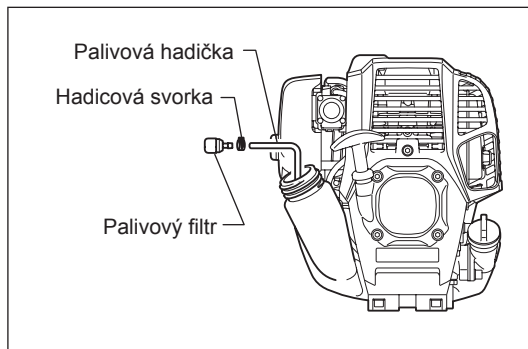
### VAROVÁNÍ: PŘÍSNÝ ZÁKAZ POUŽÍVÁNÍ HOŘLAVIN

Palivový filtr kontrolujte a čistěte jednou za měsíc nebo po každých 50 hodinách provozu.

Palivový filtr pravidelně kontrolujte. Při kontrole palivového filtru postupujte podle následujících kroků.

- (1) Sejměte víčko palivové nádrže a vypuštěním paliva nádrž zcela vyprázdněte. Zkontrolujte vnitřek nádrže, zda neobsahuje cizorodé materiály. Jestliže ano, odstraňte je.
- (2) Drátěným háčkem vytáhněte otvorem nádrže sací hlavu.
- (3) Jestliže je palivový filtr mírně zanesený, vyčistěte jej. Vyčištění provedte protřepáním a poklepáním v palivu. Filtr nemačkejte ani nemněte, abyste jej nepoškodili. Palivo použité k čištění musí být zlikvidováno v souladu s metodou stanovenou předpisy ve vaší zemi. Pokud je palivový filtr ztvrdlý nebo silně zanesený, vyměňte jej.
- (4) Po provedení kontroly, vyčištění či výměny zatlačte palivový filtr zcela do dolní části palivové nádrže.

Ucpaný či poškozený palivový filtr může způsobit nedostatečnou dodávku paliva a snížení výkonu motoru. Palivový filtr alespoň jednou za čtvrt roku vyměňte, abyste zajistili dostatečný přívod paliva do karburátoru.

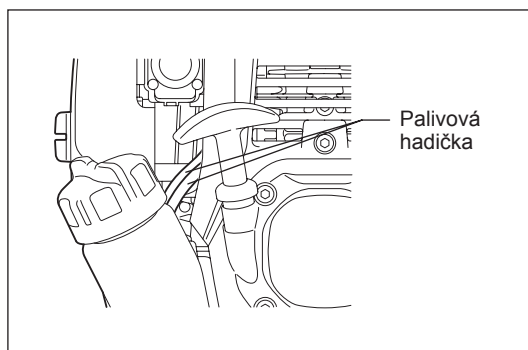


## Výměna palivové hadičky

### UPOZORNĚNÍ: Přísný zákaz používání hořlavin

Palivovou hadičku kontrolujte a čistěte denně nebo po každých 10 hodinách provozu.

Palivovou hadičku vyměňte po každých 200 hodinách provozu nebo jednou za rok bez ohledu na pracovní vytížení. Únik paliva může vyvolat požár. Zjistíte-li během kontroly nějakou netěsnost palivové hadičky, okamžitě ji vyměňte.



## KONTROLA ŠROUBŮ A MATIC

- Dotáhněte povolené šrouby, matice atd.
- Zkontrolujte, zda neuniká palivo či olej.
- K zajištění bezpečného provozu vyměňte poškozené díly za nové.

## ČIŠTĚNÍ DÍLŮ

- Motor udržujte v čistotě – otírejte jej hadrem.
- Žebra válce musejí být zbavena prachu a nečistot. Prach či nečistoty na žebrech mohou způsobit zadření pístu.

## VÝMĚNA TĚSNĚNÍ

Při demontáži motoru vyměňte těsnění a ucpávky.

Veškerou další údržbu či seřizování, jejichž popis tato příručka neobsahuje, si vyžádejte v autorizovaném servisním středisku MAKITA.

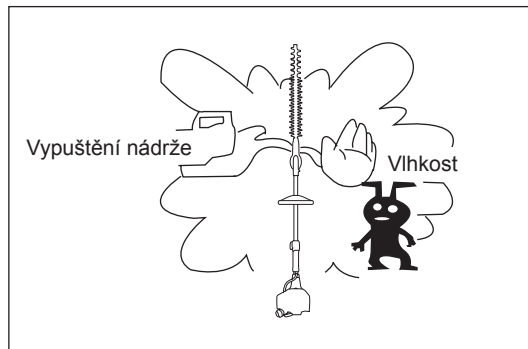
## SKLADOVÁNÍ

**VAROVÁNÍ:** Při vypouštění paliva vypněte motor a počkejte, až motor vychladne.

V opačném případě může dojít k popálení či požáru.

**POZOR:** Při dlouhodobějším skladování zařízení vypusťte z palivové nádrže a karburátoru palivo a zařízení uložte na suchém a čistém místě.

- Z palivové nádrže a karburátoru vypusťte palivo podle následujícího postupu:
  - 1) Sejměte víčko palivové nádrže a palivo zcela vypusťte. Jestliže v palivové nádrži zůstala nějaká cizorodá hmota, důkladně ji odstraňte.
  - 2) Plnicím otvorem vytáhněte použitím drátku palivový filtr.
  - 3) Stlačováním vypusťte z nastřikovače palivo a vypusťte palivo vracející se do palivové nádrže.
  - 4) Do palivové nádrže vraťte filtr a pevně dotáhněte víčko palivové nádrže.
  - 5) Potom spusťte motor a nechte jej běžet, dokud se nezastaví.
- Vyjměte zapalovací svíčku a do otvoru svíčky kápněte několik kapek motorového oleje.
- Zlehka zatáhněte za startovací madlo, aby se motorový olej nanесl do motoru, a pak namontujte zapalovací svíčku.
- Na nože nasadte kryt.
- Zařízení skladujte ve vodorovné poloze. Jestliže to není možné, postavte jej tak, aby byla jednotka motoru pod úrovní vyžínacího nástroje. Jinak by mohl zevnitř uniknout motorový olej.
- Věnujte vždy pozornost uložení zařízení na bezpečném místě, abyste zamezili jeho poškození a případnému zranění.
- Vypuštěné palivo uchovávejte ve speciální nádobě v dobře větraném stinném prostoru.



**Upozornění k dlouhodobému skladování**

- Při uvádění do provozu po dlouhodobé nečinnosti vyměňte olej (viz str. 188). Nebude-li zařízení delší dobu používáno, olejová náplň se znehodnotí.

Položka	Provozní doba		Denně (10 h)	25 h	50 h	200 h	Vypnutí/ odpočinek	Odpovídající strana v textu
		Než začnete pracovat						
Motorový olej	Kontrola	○						179
	Provedte výměnu				○*1			188
Dotažení dílů (šrouby, matice)	Kontrola	○						190
Palivová nádrž	Vyčištění/ kontrola	○						-
	Vypuštění nádrže						○*3	191
Páčka plynu	Kontrola funkce	○						181
Přepínač STOP	Kontrola funkce	○						181, 183
Nože	Kontrola	○	○					181, 186
Otáčky volnoběhu	Kontrola/ seřízení		○					183
Vzduchový filtr	Vyčištění		○					189
Zapalovací svíčka	Kontrola		○					190
Vedení chladicího vzduchu	Vyčištění/ kontrola		○					190
Palivová hadička	Kontrola		○					190
	Provedte výměnu					⊙*2		-
Mazivo převodovky	Doplnění			○				187
Palivový filtr	Čištění/výměna				○			190
Vúle mezi ventilem sání vzduchu a vypouštěcím ventilem	Seřídte otáčky					⊙*2		-
Revize motoru						⊙*2		-
Karburátor	Vypuštění nádrže						○*3	191

\*1 První výměnu provedte po 20 h provozu.

\*2 Po 200 provozních hodinách požádejte o prohlídku zástupce autorizovaného servisu nebo mechanickou dílnu.

\*3 Po vyprázdnění palivové nádrže nechte motor běžet, aby se spotřebovalo palivo v karburátoru.



## ODSTRAŇOVÁNÍ PROBLÉMU

Než požádáte o opravu, pokuste se problém odstranit sami. Zjistíte-li nějaké závady, zkontrolujte zařízení podle popisu v této příručce. Žádný díl nikdy nepozměňujte a nedemontujte v rozporu s uvedeným popisem. Opravy svěřte zástupcům autorizovaného servisu nebo místnímu obchodnímu zastoupení.

Nenormální stav	Pravděpodobná příčina (porucha)	Náprava
Motor nespouští	Selhání nastřikovače	Stiskněte 7 až 10 krát
	Nízká rychlost při tahání za startovací lanko	Tahejte silněji
	Nedostatek paliva	Doplňte palivo
	Ucpaný palivový filtr	Vyčištění
	Přehnutá palivová hadička	Vyrovnejte palivovou hadičku
	Znehodnocené palivo	Znehodnocené palivo ztěžuje startování. Vyměňte palivo za nové. (Doporučený interval výměny: po 1 měsíci)
	Nadměrné nasávání paliva	Nastavte páčku plynu ze středních otáček na vysoké a tahejte za startovací madlo, dokud motor nenaskočí. <b>Po nastartování motoru se dají nože do pohybu. Dávejte pozor na pohybující se nože.</b> Jestliže motor ani nyní nenaskočí, vymontujte zapalovací svíčku, osušte elektrody a svíčku namontujte zpět. Potom nastartujte určeným způsobem.
	Odpojený konektor svíčky	Zajistěte pevné připojení
	Znečištěná zapalovací svíčka	Vyčištění
	Nesprávná vzdálenost elektrod zapalovací svíčky	Seřídte vzdálenost elektrod
	Jiná závada zapalovací svíčky	Proveďte výměnu
	Závada v karburátoru	Požádejte o kontrolu a údržbu
	Za startovací lanko nelze tahat	Požádejte o kontrolu a údržbu
	Závada v systému pohonu	Požádejte o kontrolu a údržbu
Motor se záhy zastaví Otáčky motoru se nezvyšují	Nedostatečné zahřátí	Zahřejte motor
	Páčka sytiče je nastavena do polohy „H“ přestože je motor zahřátý.	Proveďte nastavení na „III“
	Ucpaný palivový filtr	Vyčistit nebo vyměnit
	Znečištěný nebo ucpaný vzduchový filtr	Vyčištění
	Závada v karburátoru	Požádejte o kontrolu a údržbu
	Závada v systému pohonu	Požádejte o kontrolu a údržbu
Nůž se nepohybuje ↓ Okamžitě vypněte motor	Nesprávně nastavený úhel stříhací jednotky	Ujistěte se, zda správně funguje aretace nastavení úhlu.
	Povolená utahovací matice nožů	Pevně dotáhněte
	Do nožů se zachytily odštěpky	Odstraňte cizorodou hmotu
	Závada v systému pohonu	Požádejte o kontrolu a údržbu
Hlavní jednotka nadměrně vibruje ↓ Okamžitě vypněte motor	Zlomené, ohnuté nebo opotřebené nože	Vyměňte nože
	Povolená utahovací matice nožů	Pevně dotáhněte
	Závada v systému pohonu	Požádejte o kontrolu a údržbu
Nože se okamžitě nezastaví ↓ Okamžitě vypněte motor	Vysoké otáčky volnoběhu	Seřídte otáčky
	Odpojené lanko plynu	Zajistěte pevné připojení
	Závada v systému pohonu	Požádejte o kontrolu a údržbu
Motor nelze vypnout ↓ Spusťte motor ve volnoběžných otáčkách a páčku sytiče nastavte na „H“	Odpojený konektor	Zajistěte pevné připojení
	Závada v elektroinstalaci	Požádejte o kontrolu a údržbu

Jestliže motor nenastartuje ani po zahřátí:

Nezjistíte-li u kontrolovaných položek nic neobvyklého, přidejte plyn asi na 1/3 a nastartujte motor.





**Makita Europe N.V.** Jan-Baptist Vinkstraat 2,  
3070 Kortenberg, Belgium

**Makita Corporation** 3-11-8, Sumiyoshi-cho,  
Anjo, Aichi 446-8502 Japan