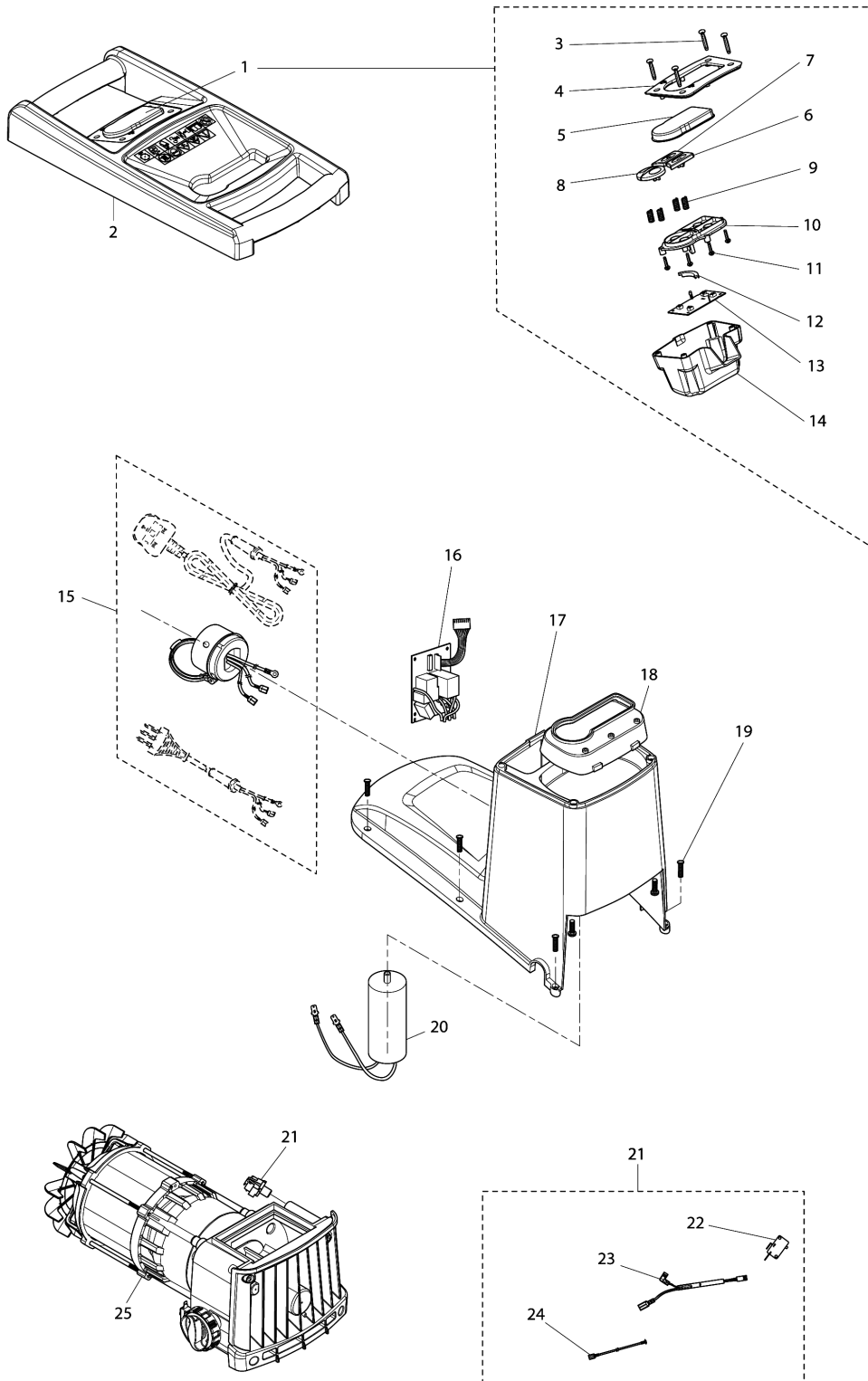
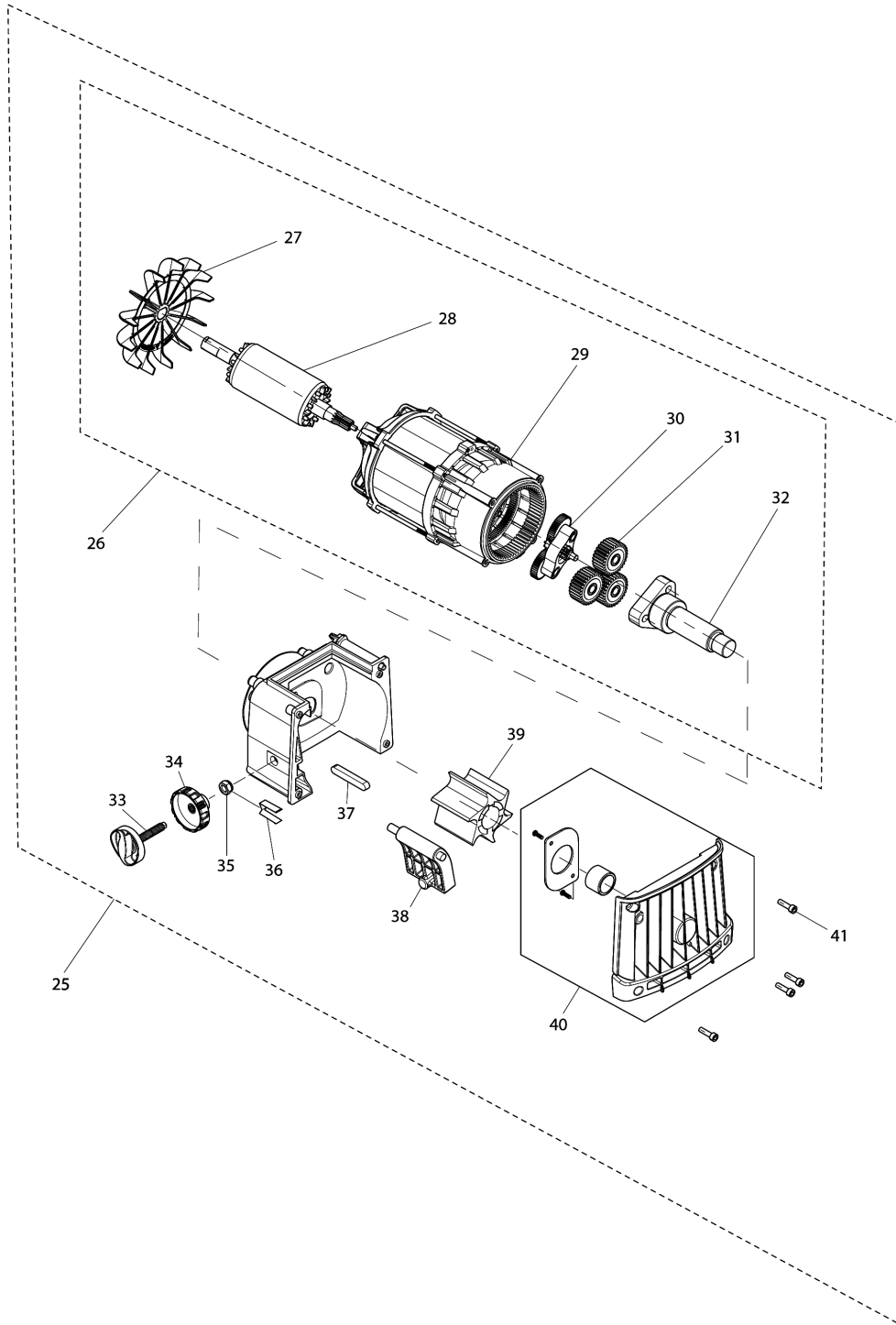


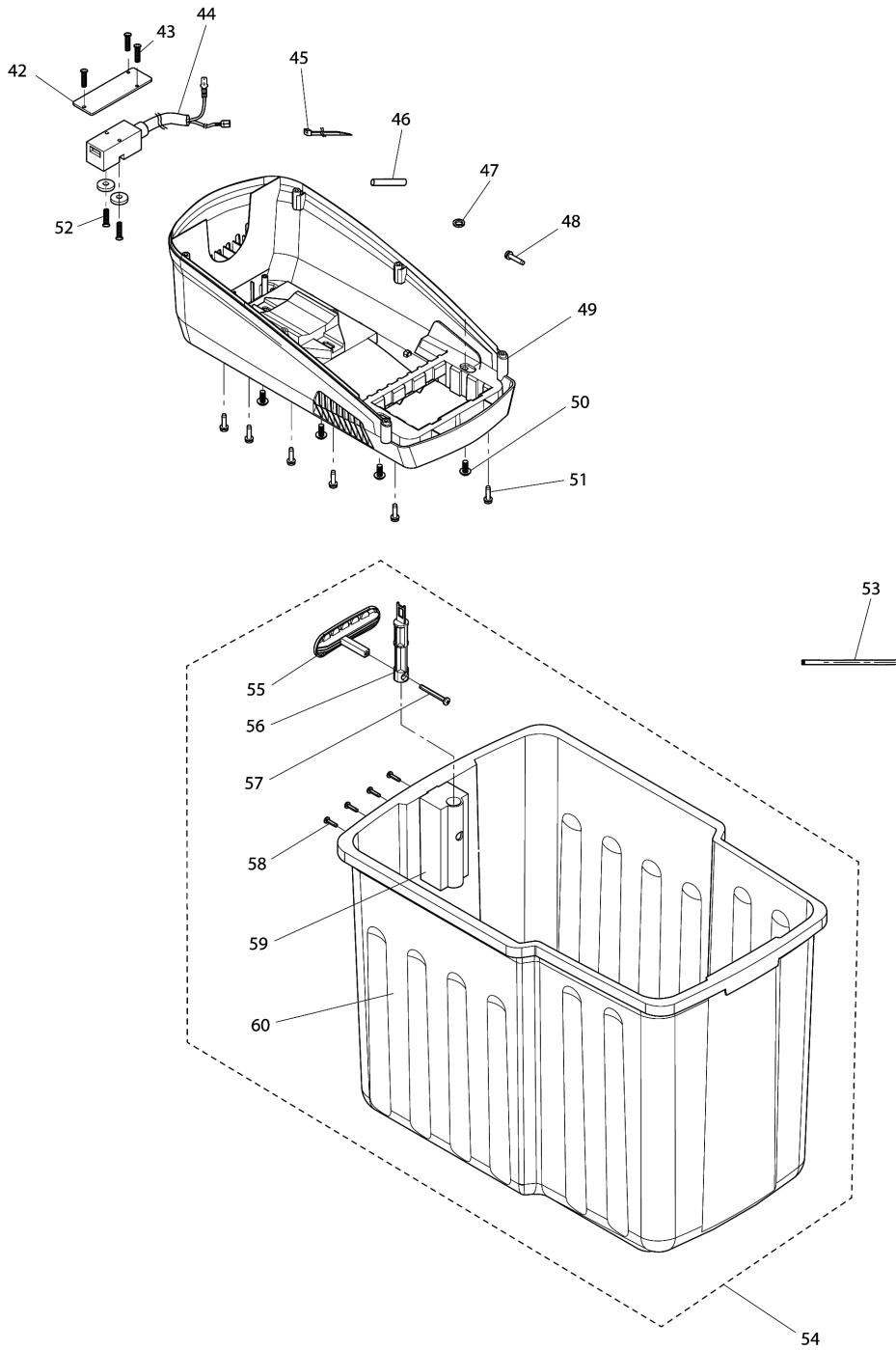
Model No.FH2500 ELECTRIC SHREDDER



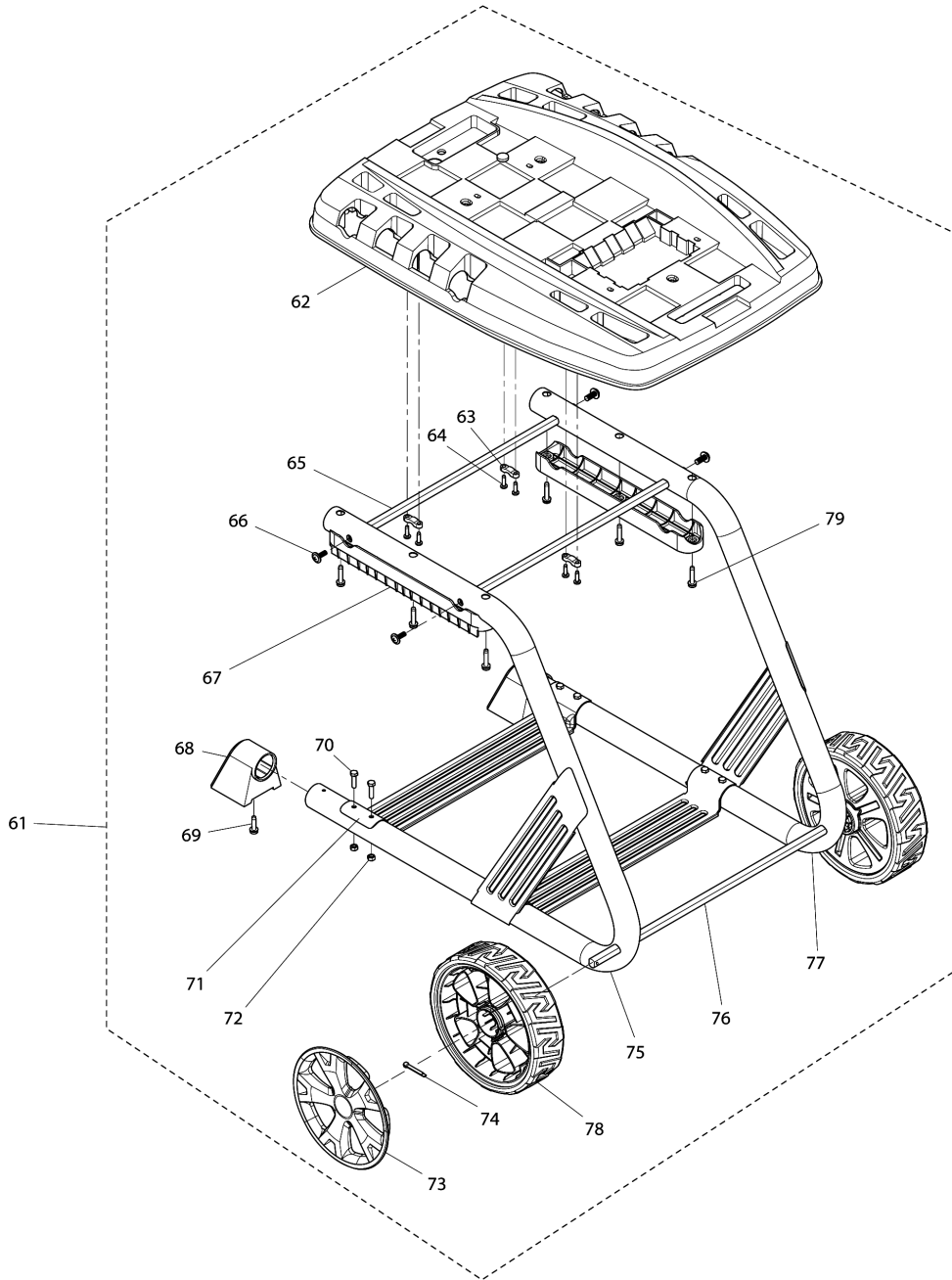
Model No.FH2500 ELECTRIC SHREDDER



Model No.FH2500 ELECTRIC SHREDDER



Model No.FH2500 ELECTRIC SHREDDER



Model No.FH2500 ELECTRIC SHREDDER

Položka	Objednávacie číslo	Popis	Zmena	ks	New/Old	Možnosť 1	Možnosť 2	Poznámka
001	652023652	SWITCH BOX ASS'Y		1				
D10		INC.3-14,80						
002	652024820	HANDLE WITH PLATES		1	*			
002-1	652024820	HANDLE WITH PLATES	O	1				
003	652023653	T20 TAPPING SCREW 4X16		4	*			
003-1	652023653	T20 TAPPING SCREW 4X16	O	4				
004	652023654	SWITCH BOX UPPER COVER		1				
005	652023655	WATER PROOF COVER		1				
006	652023656	SWITCH BUTTON I GREEN		1	*			
006-1	652023656	SWITCH BUTTON I GREEN	O	1				
007	652023657	SWITCH BUTTON O RED		1	*			
007-1	652023657	SWITCH BUTTON O RED	O	1				
008	652023658	SWITCH BUTTON YELLOW		2	*			
008-1	652023658	SWITCH BUTTON YELLOW	O	2				
009	652023659	SPRING		4				
010	652023660	PRESSBOARD		1	*			
010-1	YA00000724	PRESSBOARD	O	1				
011	652023661	TRUSS HEAD TAPPING SCREW 3X8		4				
012	652023662	LIGHT GUIDE COVER		1				
013	652023663	PCB BOARD		1				
014	652023664	SWITCH BOX LOWER COVER		1				
015	652023666	PLUG COVER ASS'Y		1				
016	652023676	CONTROL PCB		1	*			
016-1	YA00001299	CONTROL PCB SET	>	1				
017	652023677	UPPER HOUSING (DOLMAR)		1				
018	652023679	HOPPER		1				
019	652023680	T20 TAPPING SCREW 5X25		12	*			
019-1	652023680	T20 TAPPING SCREW 5X25	O	6				
020	652024821	CAPACITOR 45MICRO F 450V AC		1	*			
020-1	652024821	CAPACITOR 45MICRO F 450V AC	O	1				
021	652024824	SAFTY SWITCH ASS'Y		1				
D10		INC.22,24						
022	652024825	MICRO SWITCH		2				
023	652024826	2 CORE CONNECTION LINE		4	*			
024	652024827	CONNECTION LINE		1				
025	652023682	MOTOR ASS'Y		1				
D10		INC.26,33,34,35,36,37,38,39						
D20		INC.40,41,82,83,84						
026	652023732	TRANSMISSION PART		1				
D10		INC.27,28,29,30,31,32,85,88						
D20		INC.89,90,91						
027	YA00000696	FAN		1				
028	YA00000699	ARMATURE ASS'Y		1				
029	YA00000700	INTERNAL GEAR ASS'Y		1				

Please order the parts with part number.

Print Date 18/4/2023

Model No.FH2500 ELECTRIC SHREDDER

Položka	Objednávacie číslo	Popis	Zmena	ks	New/Old	Možnosť 1	Možnosť 2	Poznámka
030	YA00000702	GEAR COMPLETE		1				
031	YA00000701	SECONDARY GEAR		1	*			
031-1	YA00000701	SECONDARY GEAR	O	3				
032	YA00000698	SPNDLE ASS'Y		1				
033	652023702	ADJUSTING KNOB M10		1	*			
033-1	652023702	ADJUSTING KNOB M10	O	1				
034	652023700	LOCK KNOB		1				
035	652023699	SELF-LOCKING NUT		1				
036	652023704	PRESS BOARD		1	*			
036-1	YA00000706	FIXED SPRING SHEET	<	1				
037	652023697	KEY		1				
038	652023709	FEEDING BAFFLE PLATE		1				
039	652023710	CYLINDER		1				
040	652024822	FRONT COVER ASS'Y		1				
041	652024823	HEX SOCKET HEAD BOLT M6X30 W/W		4	*			
041-1	652024823	HEX SOCKET HEAD BOLT M6X30 W/W	O	4				
042	652023717	SWITCH PRESSBOARD		1				
043	652024828	FLANGED TAPPING SCREW 4X12		3	*			
043-1	652024828	FLANGED TAPPING SCREW 4X12	O	3				
044	652023719	SWITCH ASS'Y		1				
045	652023726	NYLON TIE		6	*			
045-1	652023726	NYLON TIE	O	3				
046	652024829	HEAD SHRINKABLE TUBE		1				
047	652023728	INTERNAL TEETH LOCK WASHER 5		1	*			
047-1	652023728	INTERNAL TEETH LOCK WASHER 5	O	1				
048	652023729	PAN HEAD SCREW M5X16 WITH WG		1	*			
048-1	652023729	PAN HEAD SCREW M5X16 WITH WG	O	1				
049	652023730	LOWER HOUSTING		1				
050	652023731	PAN HEAD SCREW ST5X25 WITH WG		4	*			
050-1	652023731	PAN HEAD SCREW ST5X25 WITH WG	O	4				
051	652023747	TAPPING SCREW ST5X25 WITH WG		6	*			
051-1	652023747	TAPPING SCREW ST5X25 WITH WG	O	6				
052	652023680	T20 TAPPING SCREW 5X25		2	*			
052-1	652023680	T20 TAPPING SCREW 5X25	O	2				
053	652024836	HEX. KEY WRENCH 5		1	*			
053-1	652024836	HEX. KEY WRENCH 5	O	1	*			
054	652023754	COLLECTION BOX ASS'Y (DOLMAR)		1				
D10		INC.55-60						
055	652023760	PUSH BUTTON (DOLMAR)		1				
056	652023759	PUSH ROD		1				

Please order the parts with part number.

Print Date 18/4/2023

Model No.FH2500 ELECTRIC SHREDDER

Položka	Objednávacie číslo	Popis	Zmena	ks	New/Old	Možnosť 1	Možnosť 2	Poznámka
057	652024835	TAPPING SCREW ST5X35		1	*			
057-1	652024835	TAPPING SCREW ST5X35	O	1				
058	652024828	FLANGED TAPPING SCREW 4X12		4	*			
058-1	652024828	FLANGED TAPPING SCREW 4X12	O	4				
059	652023757	PUSH BUTTON BASE		1				
060	652023755	COLLECTION BOX (DOLMAR)		1				
061	652023736	FRAME ASS'Y		1				
D10		INC.62-79						
062	652023753	BOX COVER		1				
063	652023752	CABLE PRESSBOARD		3				
064	652024828	FLANGED TAPPING SCREW 4X12		6	*			
064-1	652024828	FLANGED TAPPING SCREW 4X12	O	6				
065	652023751	SUPPORTING AXLE		2				
066	652024833	PAN HEAD SCREW M6X16 WITH WG		4	*			
066-1	652024833	PAN HEAD SCREW M6X16 WITH WG	O	4				
067	652023749	FRAME FIX PLATE		2				
068	652023748	SUPPORTING FOOT		2				
069	652024832	TAPPING SCREW ST5X16 WITH WG		2	*			
069-1	652024832	TAPPING SCREW ST5X16 WITH WG	O	2				
070	652024831	HEX SOCKET HEAD BOLT M6X30 W/W		8	*			
070-1	652024831	HEX SOCKET HEAD BOLT M6X30 W/W	O	8				
071	652023745	BASE PLATE		2				
072	652023744	HEX LOCK NUT M5		8	*			
072-1	652023744	HEX LOCK NUT M5	O	8				
073	652023905	FRONT WHEEL COVER		2				
074	652023742	PIN		1				
075	652023741	RIGHT FRAME TUBE		1				
076	652023740	WHEEL AXLE		1				
077	652023739	LEFT FRAME TUBE		1				
078	652023737	WHEEL		2				
079	652023747	TAPPING SCREW ST5X25 WITH WG		6	*			
079-1	652023747	TAPPING SCREW ST5X25 WITH WG	O	6				
080	652023661	TRUSS HEAD TAPPING SCREW 3X8		4				
081	652023680	T20 TAPPING SCREW 5X25		4				
082	YA00001303	SWITCH LINKAGE		2				
083	YA00001304	SPRING FOR LINKAGE		2				
084	YA00001305	SWITCH FIXING BASE		2				
085	YA00001300	GEAR GUARD		1				
086	652023726	NYLON TIE		3				
087	YA00001199	FLAT WASHER 5 (L)		2				

Please order the parts with part number.

Print Date 18/4/2023

Model No.FH2500 ELECTRIC SHREDDER

Položka	Objednávacie číslo	Popis	Zmena	ks	New/Old	Možnosť 1	Možnosť 2	Poznámka
088	YA00001302	CYLINDER COVER		1				
089	YA00000423	SPRING WASHER 6		4				
090	YA00001301	HEX SOCKET HEAD BOLT M6X35 W/W		4				
091	YA00001096	RETAINING RING S-17		1				
092	YA00001311	NAME PLATE FH2500		1				
093	YA00001308	NOISE LABEL		1				
094	YA00001309	OPERATING INSTRUCTIONS LABEL		1				
A01	652024836	HEX. KEY WRENCH 5		1				

Please order the parts with part number.

Print Date 18/4/2023