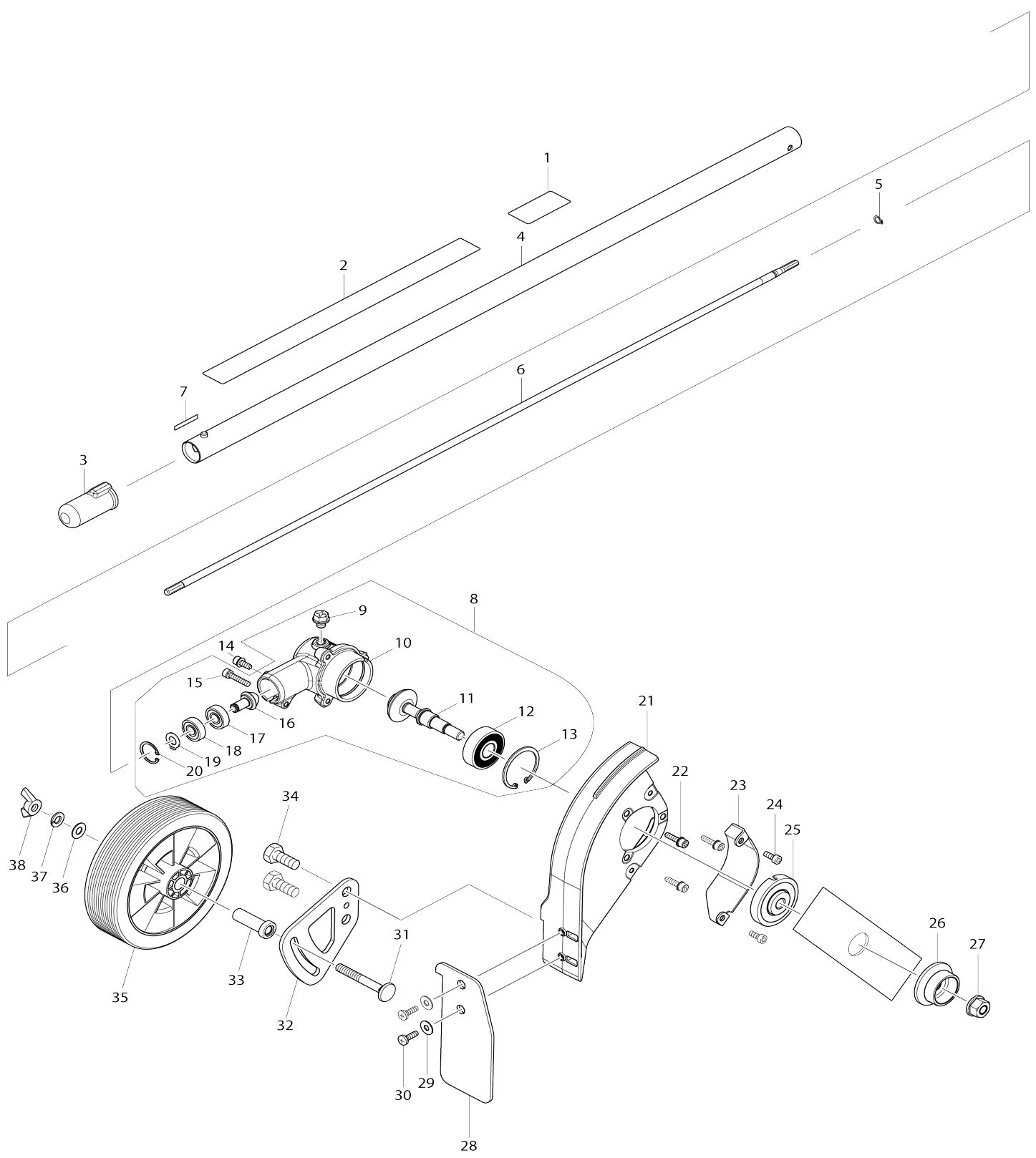


Model No.EE400MP EDGER ATTACHMENT



Model No.EE400MP EDGER ATTACHMENT

Item No.	Parts No.	Description	Interchangeability	Q'ty	New/Old	Note1	Note2
001	893670-0	MAKITA LOGO LABEL		1			
002	803G39-2	CAUTION LABEL		1			
003	424434-7	CAP 24		1			
004	142564-9	SHAFT PIPE A COMPLETE		1			
C10	804L38-7	SOUND LABEL		1			
004		INC. 2					
005	961003-8	RETAINING RING S-7		1			
006	326088-5	SHAFT A		1	*		
006-1	327723-8	SHAFT A	O	1			
007	814A82-0	DATE CODE LABEL		1			
008	126414-6	GEAR CASE ASS'Y		1			
008		INC. 9-13,15-20					
009	265590-2	+HEX.BOLT M8X10 WITH R		1			
010	319102-4	GEAR CASE		1			
011	126415-4	CUTTER SHAFT ASS'Y		1			
012	211231-8	BALL BEARING 6302DDW		1			
013	962201-7	RETAINING RING (INT) R-42		1			
014	922218-2	H.S.H.BOLT M5X14 WITH WR		1			
015	922241-7	HEX. SOCKET HEAD BOLT M5X25		1			
016	227629-9	SPIRAL BEVEL GEAR 14		1			
017	210049-4	BALL BEARING 609ZZ		1			
018	210049-4	BALL BEARING 609ZZ		1			
019	961005-4	RETAINING RING S-9		1			
020	962103-7	RETAINING RING R-24		1			
021	319103-2	BLADE CASE		1			
022	922233-6	H.S.H.BOLT M5X20 WITH WR		3			
023	346759-8	GUARD PLATE		1			
024	266874-1	H.S.H.BOLT M5X14		2			
025	326382-5	RECEIVE WASHER		1	*		
025-1	326734-0	RECEIVE WASHER	<	1			
026	326381-7	CLAMP		1			
027	264025-0	HEX. NUT M10-17		1			
028	424615-3	DEFLECTOR		1			
029	253804-1	FLAT WASHER 6		2			
030	266027-2	TAPPING SCREW CT5X16		2			
031	266876-7	C.H.SQUARE NECK BOLT M8X62		1	*		
031-1	266937-3	C.HEAD SQUARE NECK BOLT M8X64	S	1			
032	346758-0	PLATE		1			
033	257821-3	SLEEVE 8		1			
034	921542-0	HEX. BOLT M10X25		2			
035	454843-6	WHEEL		1			
036	941201-0	FLAT WASHER 8		1			
037	942201-3	SPRING WASHER 8		1			
038	934401-9	WING NUT M8		1			
039	234355-3	RING SPRING 5	S	1			
A01	196745-7	BLADE SET		1			
A02	782238-6	BOX WRENCH 17		1			

F06	196753-8	EDGER ATTACHMENT SET		1			
-----	----------	----------------------	--	---	--	--	--

Please state Parts No. when your order.

Print Date 13. 01. 2025