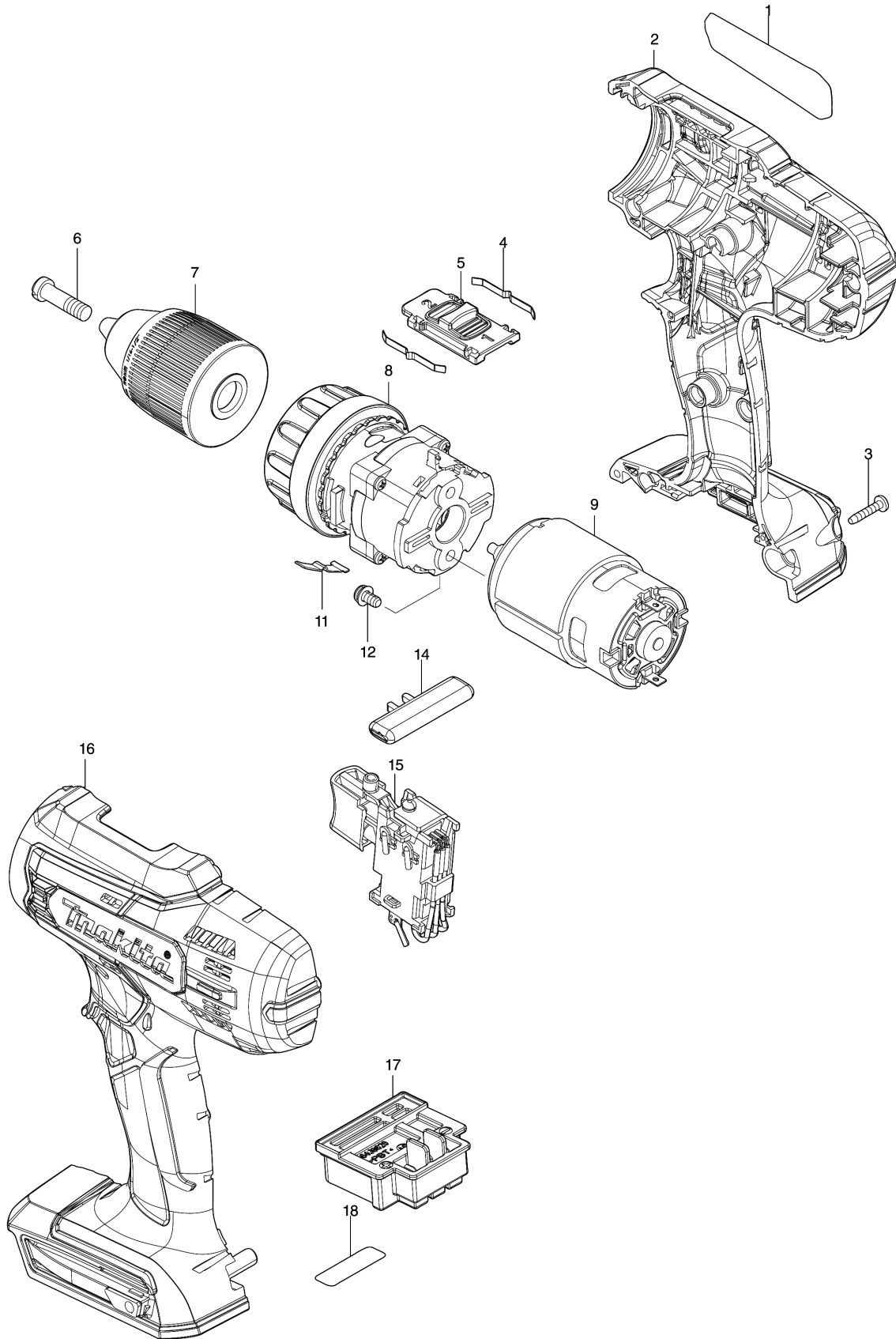


Model No.DF488D CORDLESS DRIVER DRILL



Model No.DF488D CORDLESS DRIVER DRILL

Položka	Objednávacie číslo	Popis	Zmena	ks	New/Old	Možnosť 1	Možnosť 2	Poznámka
001	858A54-5	DF488D NAME PLATE		1				
002	183R93-1	HOUSING SET		1				
C10	252126-6	HEX. LOCK NUT M4-7		2				
D10		INC. 16						
003	266429-2	TAPPING SCREW 3X16		9				
004	232220-0	LEAF SPRING		2				
005	127754-5	SPEED CHANGE LEVER ASSEMBLY		1				
C10	233438-6	COMPRESSION SPRING 4		2				
006	251468-5	- FLAT HEAD SCREW M6X22		1				
007	766004-9	KEYLESS DRILL CHUCK 13		1	*			
007-1	763260-2	KEYLESS DRILL CHUCK 13	O	1				
008	127734-1	GEAR ASSEMBLY		1				
009	629937-8	DC MOTOR		1				
011	232182-2	LEAF SPRING		1				
012	911108-4	PAN HEAD SCREW M4X8		2				
014	452399-3	F/R CHANGE LEVER		1				
015	638862-2	SWITCH UNIT		1				
C10	688164-6	LINE FILTER		1				
C20	688165-4	LINE FILTER		1				
016	183R93-1	HOUSING SET		1				
C10	252126-6	HEX. LOCK NUT M4-7		2				
D10		INC. 2						
017	643862-9	TERMINAL		1				
018	858A58-7	DF488D SERIAL NO. LABEL		1				
A01	784637-8	+/- BIT 2-45		1				
A02A	***DC18WA	DC18WA BATTERY CHARGER		1				
D10		COMPO-PARTS						
A02B	***DC18WA	DC18WA BATTERY CHARGER		1				
D10		COMPO-PARTS						
A02C	***DC18WB	DC18WB BATTERY CHARGER		1				
A03A	198186-3	BATTERY BL1815G SET		2				
A03B	191N69-0	BATTERY BL1820G SET		2				
A03C	198186-3	BATTERY BL1815G SET		2				
A04	452652-7	BATTERY COVER		1				
A05	821844-3	PLASTIC CARRYING CASE		1				
C10	455522-9	SLIDE LATCH		2				
A06A	8027B9-2	DF488DWE PLASTIC CASE LABEL		2				
A06B	8029A2-1	DF488DWAE PLASTIC CASE LABEL		2				
A06C	8044V1-6	DF488D002 PLASTIC CASE LABEL		2				

Please order the parts with part number.

Print Date 8/10/2021