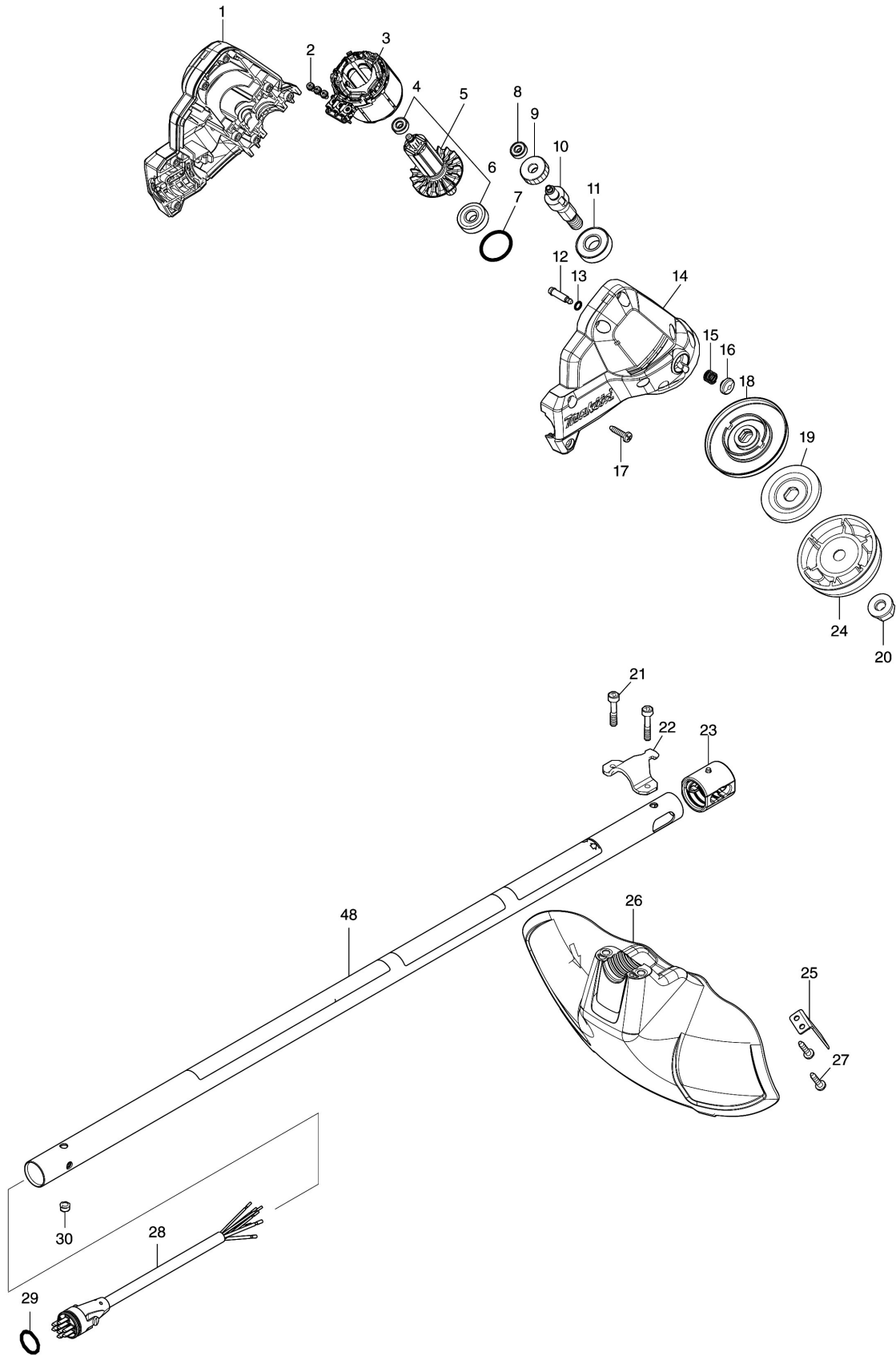
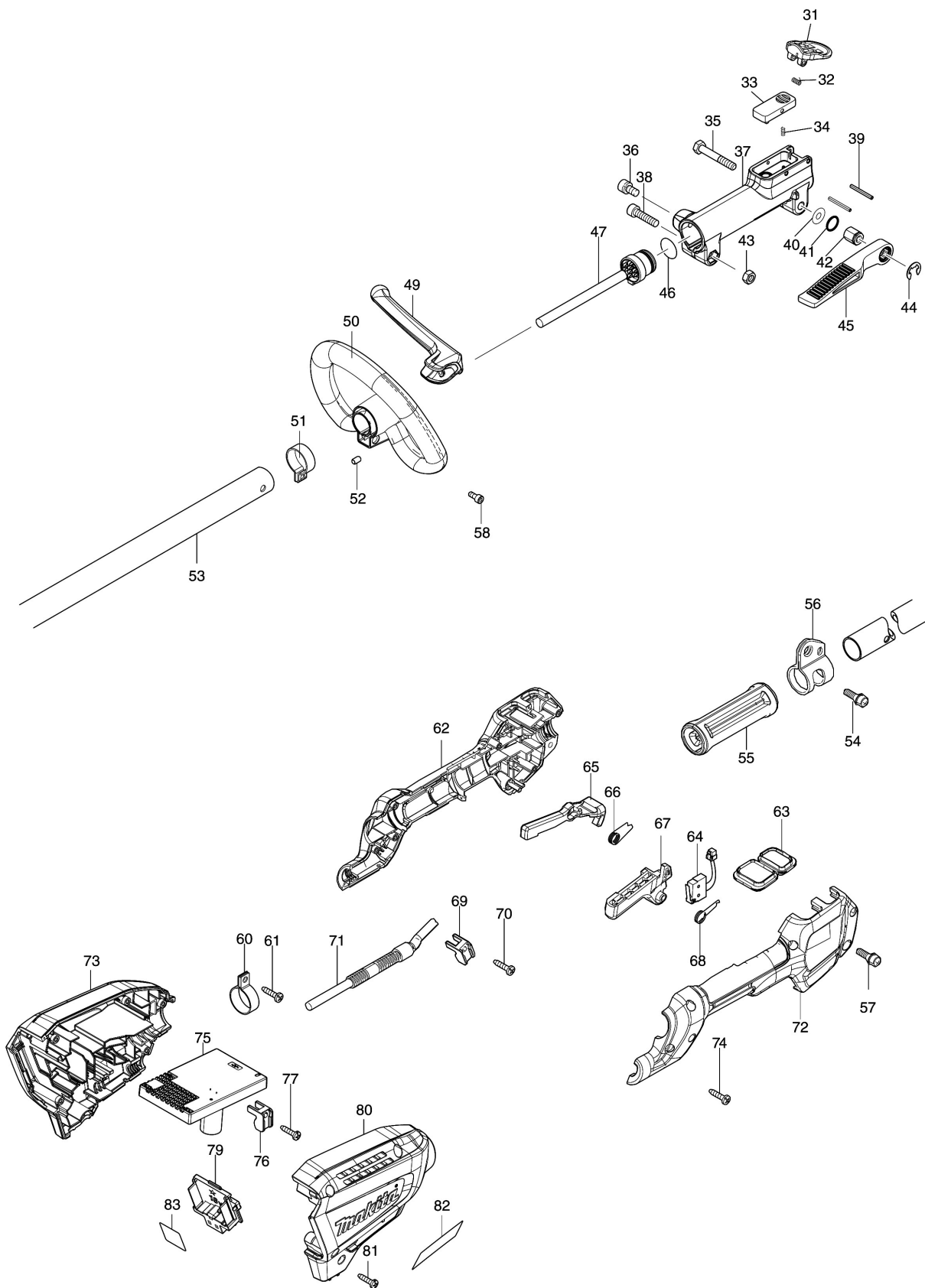


Model No.DUR191L CORDLESS GRASS TRIMMER



Model No.DUR191L CORDLESS GRASS TRIMMER



Model No.DUR191L CORDLESS GRASS TRIMMER

Položka	Objednávacie číslo	Popis	Zmena	ks	New/Old	Možnosť 1	Možnosť 2	Poznámka
001	183P06-0	MOTOR HOUSING SET		1				
D10		INC. 14						
002	652069-6	FLAT HEAD SCREW M3X6		3				
003	629248-1	STATOR		1				
004	210215-3	BALL BEARING 695ZZ		1				
005	510449-1	ROTOR ASS'Y		1				
D10		INC. 4,6						
006	210049-4	BALL BEARING 609ZZ		1				
007	213380-7	O RING 24		1				
008	210215-3	BALL BEARING 695ZZ		1				
009	221492-2	HELICAL GEAR 26		1				
010	327542-2	CUTTER SHAFT		1				
011	211131-2	BALL BEARING 6001DDW		1				
012	256546-6	SHOULDER PIN 4		1				
013	213021-5	O RING 5		1				
014	183P06-0	MOTOR HOUSING SET		1				
D10		INC. 1						
015	233072-2	COMPRESSION SPRING 8		1				
016	412408-0	PIN CAP		1				
017	266326-2	TAPPING SCREW 4X18		8				
018	140T23-7	RECEIVE WASHER COMPLETE		1				
021	251513-6	H.S.H.BOLT M5X25		2				
022	347667-6	PROTECTOR CLAMP		1				
023	424567-8	RUBBER SLEEVE 24		1				
025	346855-2	CUTTER		1				
026	412392-9	PROTECTOR		1				
027	266326-2	TAPPING SCREW 4X18		2				
028	699088-1	POWER SUPPLY CORD UNIT		1				
029	213275-4	O RING 18		1				
030	326880-9	STOPPER PIN B		1				
031	454304-6	JOINT COVER		1				
032	233604-5	TORSION SPRING 3		1				
033	454303-8	LOCK LEVER		1				
034	233211-4	COMPRESSION SPRING 2		1				
035	265596-0	HEX.BOLT M6X40		1				
036	922311-2	HEX. SOCKET HEAD BOLT M6X12		1				
037	319531-1	JOINT 24 B		1				
038	922342-1	HEX. SOCKET HEAD BOLT M6X25		1				
039	258010-3	SPRING PIN 2.5-25		2				
040	253332-6	THIN WASHER 6		1				
041	213105-9	O RING 11		1				
042	252159-1	HEX. NUT M6		1				
043	931302-2	HEX. NUT M6		1				
044	961014-3	STOP RING E-8		1				
045	272268-0	LEVER 94		1				

Please order the parts with part number.

Print Date 12/6/2020

Model No.DUR191L CORDLESS GRASS TRIMMER

Položka	Objednávacie číslo	Popis	Zmena	ks	New/Old	Možnosť 1	Možnosť 2	Poznámka
046	213275-4	O RING 18		1				
047	699087-3	POWER SUPPLY CORD UNIT		1				
048	140T22-9	PIPE COMPLETE A		1				
C10	819N87-3	CAUTION LABEL		1				
C20	819312-8	MAKITA LOGO LABEL		1				
049	143695-7	BARRIER COMPLETE		1				
C10	911128-8	P.H.SCREW M4X16 WITH WR		1				
050	457937-6	LOOP HANDLE 24		1				
051	347011-7	PIPE CLAMP 29		1				
052	263005-3	RUBBER PIN 6		1				
053	327546-4	PIPE B		1				
054	922212-4	HEX. SOCKET HEAD BOLT M5X12		1				
055	451601-1	SPACER 24		1				
056	347116-3	HANGER		1				
057	922228-9	H.S.H.BOLT M5X18 WITH WR		1				
058	922212-4	HEX. SOCKET HEAD BOLT M5X12		1				
060	346248-3	CLAMP 24		1				
061	266326-2	TAPPING SCREW 4X18		1				
062	183P04-4	GRIP SET		1				
C10	931202-6	HEX. NUT M5		1				
D10		INC. 72						
063	140T18-0	SUB CONTROLLER COMPLETE		1				
C10	8010M7-8	SWITCH LABEL		1				
C20	8010M8-6	INDICATION LABEL		1				
064	632E26-0	SWITCH UNIT		1				
065	455629-1	LOCK OFF LEVER		1				
066	233621-5	TORSION SPRING 9		1				
067	455625-9	SWITCH LEVER		1				
068	233612-6	TORSION SPRING 10		1				
069	687260-7	STRAIN RELIEF		1				
070	266326-2	TAPPING SCREW 4X18		1				
071	699149-7	POWER SUPPLY CORD UNIT		1				
072	183P04-4	GRIP SET		1				
C10	931202-6	HEX. NUT M5		1				
D10		INC. 62						
073	183P07-8	HOUSING SET		1				
C10	263005-3	RUBBER PIN 6		2				
D10		INC. 80						
074	266326-2	TAPPING SCREW 4X18		6				
075	620C56-1	CONTROLLER		1				
076	687260-7	STRAIN RELIEF		1				
077	266326-2	TAPPING SCREW 4X18		1				
079	644809-6	TERMINAL		1				
080	183P07-8	HOUSING SET		1				
C10	263005-3	RUBBER PIN 6		2				

Model No.DUR191L CORDLESS GRASS TRIMMER

Položka	Objednávacie číslo	Popis	Zmena	ks	New/Old	Možnosť 1	Možnosť 2	Poznámka
D10		INC. 73						
081	266326-2	TAPPING SCREW 4X18		6				
082	857D26-5	DUR191L NAME PLATE		1				
083	857D32-0	DUR191L SERIAL NO. LABEL		1				
A01	125516-5	BAND ASSEMBLY		1				
A05	198893-8	CUTTER ASSEMBLY 95-M10L SET ME		1				
C10	144259-0	SPOOL COVER COMPLETE		1				
C20	232289-4	COMPRESSION SPRING 15		1				
C30	456640-6	SPOOL HOLDER		1				
C40	456642-2	SPOOL		1				
A06	831304-7	ACCESSORY BAG		1				
A07B	450128-8	BATTERY COVER		2				
A08B	197280-8	BATTERY BL1850B SET		2				
A09B	***DC18RC	DC18RC FAST CHARGER		1				
D10		COMPO-PARTS						
A12	783202-0	HEX. WRENCH 4		1				
A13	424596-1	CAP 24		1				
E01	807949-3	SOUND 94DB LABEL		1				

Please order the parts with part number.

Print Date 12/6/2020