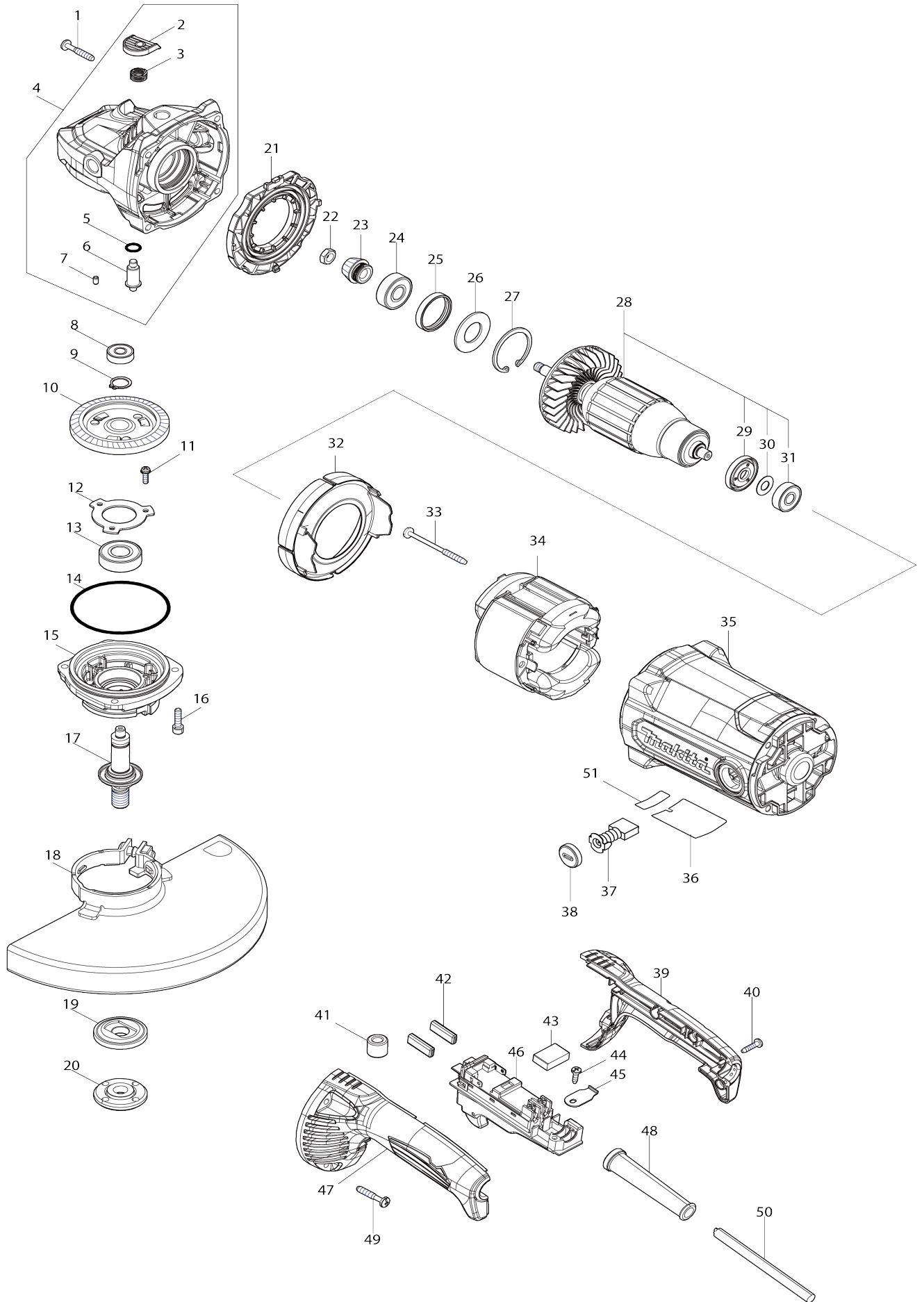


Model No.GA9090 230MM ANGLE GRINDER



Model No.GA9090 230MM ANGLE GRINDER

Item No.	Parts No.	Description	Interchangability	Q'ty	New/Old	Note1	Note2
001	251489-7	TAPPING SCREW 5X30		4			
002	413H41-9	PIN CAP		1			
003	233292-8	COMPRESSION SPRING 12		1			
004	137149-4	GEAR HOUSING ASSEMBLY		1			
D10		IN. 2,3,5-7					
005	213062-1	O RING 9		1			
006	256491-5	SHOULDER PIN 5		1			
007	263002-9	RUBBER PIN 4		1			
008	210029-0	BALL BEARING 608ZZ		1			
009	961055-9	RETAINING RING S-15		1			
010	227B04-1	SPIRAL BEVEL GEAR 54		1			
011	911123-8	PAN HEAD SCREW M4X14		3			
012	285851-4	BEARING RETAINER		1			
013	211487-3	BALL BEARING 6202DDW		1			
014	213760-7	O RING 78		1			
015	312E61-1	BEARING BOX		1			
016	922231-0	HEX. SOCKET HEAD BOLT M5X20		4			
017	141T31-1	SPINDLE COMPLETE		1			
018	141P32-5	WHEEL COVER 230K COMPLETE		1			
C10	265198-2	+PAN HEAD SCREW M8X25		1			
C20	8050A1-8	CAUTION LABEL		1			
019	224490-5	INNER FLANGE 14-45		1			
020	224485-8	LOCK NUT 14-45		1			
021	413U69-5	DIFFUSER		1			
022	252194-9	HEX. NUT M8		1			
023	227652-4	SPIRAL BEVEL GEAR 13		1			
024	210195-3	BALL BEARING 6201DDW		1			
025	422A90-3	RUBBER RING 33		1			
026	253587-3	FLAT WASHER 20		1			
027	962157-4	RETAINING RING R-40		1			
028	511B09-4	ARMATURE ASSEMBLY 240V		1			
D10		INC. 29-31					
029	681666-1	INSULATION WASHER		1			
030	267231-6	FLAT WASHER 9		1			
031	210194-5	BALL BEARING 629DDW		1			
032	413U68-7	BAFFLE PLATE		1			
033	266352-1	TAPPING SCREW 5X65		2			
034	634853-1	FIELD 220V		1			
035	141S76-3	MOTOR HOUSING COMPLETE		1			
036	8145B9-8	GA9090 NAME PLATE		1			
037	194992-4	CARBON BRUSH SET CB-204		1			
038	644802-0	HOLDER CAP		2			
039	1830J9-8	HANDLE SET		1			
D10		INC. 47					
040	266326-2	TAPPING SCREW 4X18		3			
041	688163-8	LINE FILTER		1			
042	686036-9	RECEPTACLE SLEEVE		2			

043	645088-9	NOISE SUPPRESSOR		1		
044	266385-6	TAPPING SCREW 4X14		1		
045	687169-3	STRAIN RELIEF		1		
046	632F75-3	SWITCH UNIT		1		
047	1830J9-8	HANDLE SET		1		
D10		INC. 39				
048	682585-4	CORD GUARD 10		1		
049	251489-7	TAPPING SCREW 5X30		4		
050	695144-5	POWER SUPPLY CORD 1.5-2-2.0		1		
051	8145C0-3	GA9090 SERIAL NO. LABEL		1		
A01	143486-6	GRIP 37 COMPLETE		1		
A02	782040-7	LOCK NUT WRENCH 35		1		
A03	122913-6	WHEEL COVER 230CK ASSEMBLY		1		
C10	265198-2	+PAN HEAD SCREW M8X25		1		

Please state Parts No. when your order.

Print Date 02. 07. 2024