



# Makita Werkzeug Ges.m.b.H.

Airportstr. 4, 2401 Fischamend

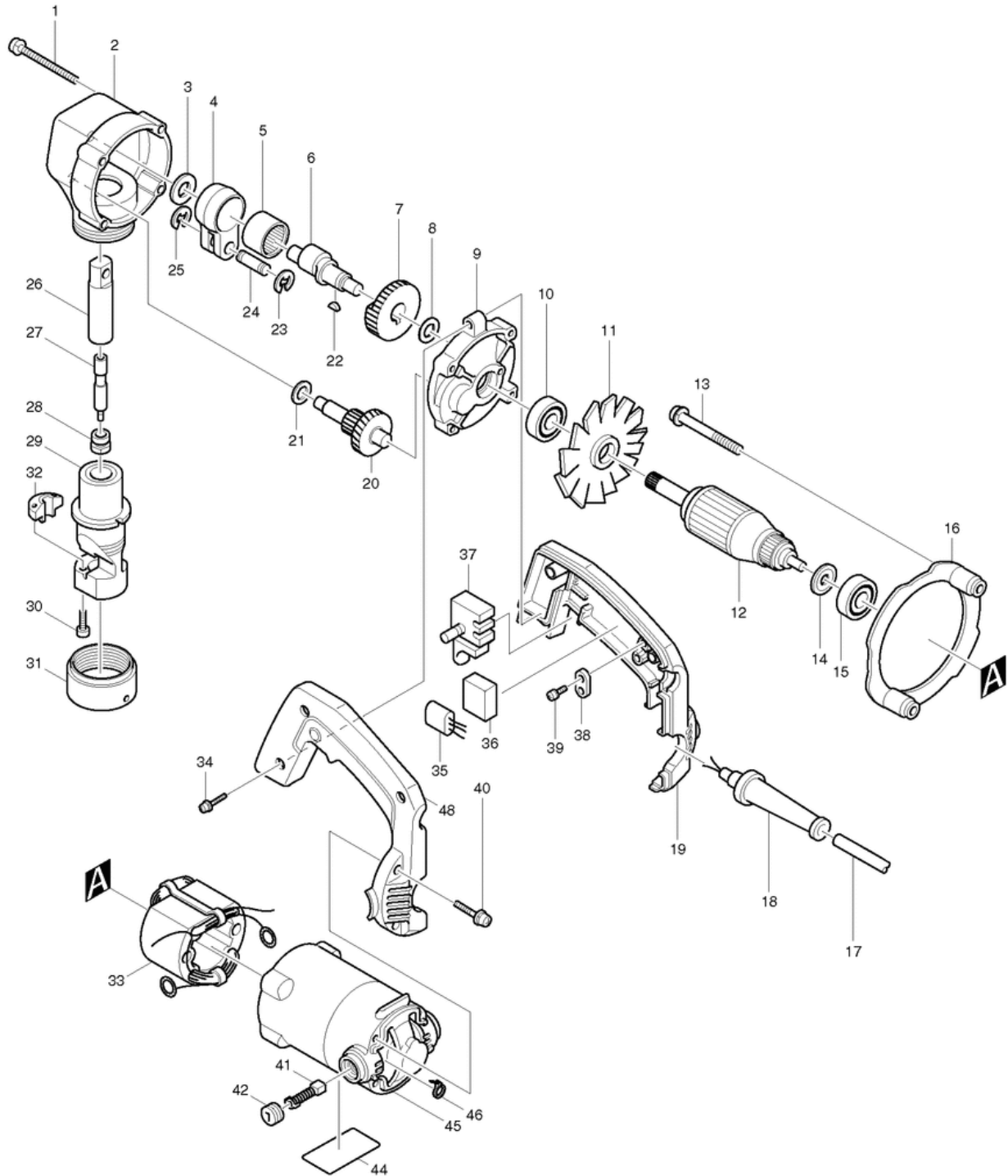
Tel: 02232 / 777 00

Fax: 02232 / 777 00 - 40

Mail: verkauf@makita.at

Web: www.makita.at

## Makita Service Information / Model: JN3200





## Makita Werkzeug Ges.m.b.H.

Airportstr. 4, 2401 Fischamend

Tel: 02232 / 777 00

Fax: 02232 / 777 00 - 40

Mail: verkauf@makita.at

Web: www.makita.at

### Makita Service Information / Model: JN3200

POS	Bestell-Nr.	Artikelbeschreibung	Stk.	Stk.Preis
1	911271-3	PAN HEAD SCREW M5X50	4	N/A
2	157475-5	GEAR HOUSING	1	N/A
3	253759-0	PODLOŽKA 12 JN/JS3200/2012NB/	1	N/A
4	331167-6	ROD	1	N/A
5	212306-6	NEEDLE BEARING 2020	1	N/A
6	321408-8	OSKA JN3200	1	N/A
7	221880-3	KOLESO OZUBENÉ 44 JN3200	1	N/A
8	253758-2	PODLOŽKA 10 253758-2	1	N/A
9	156833-2	GEAR HOUSING COVER	1	N/A
10	211033-2	LOŽISKO GULIČKOVÉ 608LB	1	N/A
11	241517-6	KOLESO VENTILÁTORA 70 9005B/GA5000	1	N/A
12	512758-4	KOTVA UPLNA 220V JN3200/JS3200*** 220V	1	N/A
12		*** INC. 10,11,14,15		N/A
13	911681-4	PAN HEAD SCREW M5x60	2	N/A
14	681613-2	IZOLACNA PODLOZKA 681613-2	1	N/A
15	211033-2	LOŽISKO GULIČKOVÉ 608LB	1	N/A
16	411876-4	DOSKA ODKLONU VZDUCHU JN3200	1	N/A
17	665865-3	KÁBEL N5900BITD101	1	N/A
18	682516-3	CHRANIC SNURY 9,3-85	1	N/A
19	181441-0	HANDLE SET	1	N/A
19		*** INC. 48		N/A
20	226060-6	KOLESO OZUBENÉ 15-46 JM3200	1	N/A
21	253215-0	PODLOŽKA 8	1	N/A
22	254001-2	PERO WOODRUFFOVE 4 2012NB	1	N/A
23	961013-5	BLOKOVACÍ KRÚŽOK E-7 961013-5 DA3000R	1	N/A
24	321418-5	PIN 9	1	N/A
25	961013-5	BLOKOVACÍ KRÚŽOK E-7 961013-5 DA3000R	1	N/A
26	152486-5	PUNCH HOLDER COMPLETE	1	N/A
27	792728-1	PUNCH	1	N/A
28	321406-2	SCREW	1	N/A
29	152176-0	DICE HOLDER COMPLETE	1	N/A
30	922127-5	IMBUSOVA SKRUTKA M4	2	N/A
31	321415-1	LOCK NUT	1	N/A
32	792292-2	DIE	1	N/A
33	528703-9	STATOR 220 V JN3200/JS3200*** 220V	1	N/A
34	911243-8	SKRUTKA M5x25	3	N/A
35	645253-0	ODRUSOVACI KONDENZATOR	1	N/A
36	685700-9	PENOVA GUMA 685700-9	1	N/A
37	651235-2	VYPINAC C2M-A1T 1911B	1	N/A
37.2	651225-5	SWITCH SGEL215C	1	N/A



## Makita Werkzeug Ges.m.b.H.

Airportstr. 4, 2401 Fischamend

Tel: 02232 / 777 00

Fax: 02232 / 777 00 - 40

Mail: [verkauf@makita.at](mailto:verkauf@makita.at)

Web: [www.makita.at](http://www.makita.at)

### Makita Service Information / Model: JN3200

POS	Bestell-Nr.	Artikelbeschreibung	Stk.	Stk.Preis
38	687031-2	DRŽIAK KÁBLA	1	N/A
39	911133-5	SKRUTKA M4x18	2	N/A
40	911243-8	SKRUTKA M5x25	4	N/A
41	181030-1	UHLÍKY CB-100 (CB-101/102)1190	1	N/A
42	643600-9	VIECKO DRZIACA UHLIKOV 6-10	2	N/A
44	854507-6	NAME PLATE JN3200	1	N/A
45	156734-4	KRYT MOTORA 9005B/JN3200/JS32	1	N/A
46	687010-0	PASKA	1	N/A
48	181441-0	HANDLE SET	1	N/A
48		*** INC. 19		N/A
400	341796-7	WASHER	2	N/A
401	783201-2	HEX. WRENCH 3	1	N/A
402	781019-5	WRENCH 50	1	N/A
900	181797-1	STEEL CARRYING CASE	1	N/A
900.2	181797-1	STEEL CARRYING CASE	1	N/A
902	819001-5	MAKITA LABEL	1	N/A